



US00D711990S

(12) **United States Design Patent**  
**Roberts et al.**

(10) **Patent No.:** **US D711,990 S**

(45) **Date of Patent:** **\*\* \*Aug. 26, 2014**

- (54) **GOLF CLUB HEADCOVER**
- (71) Applicants: **Douglas E. Roberts**, Carlsbad, CA (US);  
**Denise T. Herman**, Carlsbad, CA (US)
- (72) Inventors: **Douglas E. Roberts**, Carlsbad, CA (US);  
**Denise T. Herman**, Carlsbad, CA (US)
- (73) Assignee: **Puma SE**, Herzogenaurach (DE)
- (\*) Notice: This patent is subject to a terminal disclaimer.
- (\*\*) Term: **14 Years**
- (21) Appl. No.: **29/433,599**
- (22) Filed: **Oct. 2, 2012**
- (51) **LOC (10) Cl.** ..... **21-02**
- (52) **U.S. Cl.**  
USPC ..... **D21/754**
- (58) **Field of Classification Search**  
USPC ..... D21/754; 150/160; D2/866, 882, 886,  
D2/865  
See application file for complete search history.

- D541,014 S \* 4/2007 Cordes et al. .... D2/882
- D568,029 S \* 5/2008 Niles ..... D2/882
- D568,583 S \* 5/2008 Niles ..... D2/882
- D578,739 S \* 10/2008 Schussleder et al. .... D2/882
- D629,183 S \* 12/2010 Adams et al. .... D2/882
- D654,251 S \* 2/2012 Alkas-Shamoun ..... D2/882
- D670,777 S \* 11/2012 Roberts et al. .... D21/754
- D675,404 S \* 2/2013 Parker ..... D2/882

\* cited by examiner

*Primary Examiner* — Mitchell Siegel

(74) *Attorney, Agent, or Firm* — Mark S. Leonardo; Brown Rudnick LLP

(57) **CLAIM**

The ornamental design for a golf club headcover, as shown and described.

**DESCRIPTION**

FIG. 1 illustrates a right side perspective view of a golf club headcover employing an ornamental design in accordance with the present invention;

FIG. 2 illustrates a bottom side perspective view of the golf club headcover of FIG. 1;

FIG. 3 illustrates a top side view of the golf club headcover of FIG. 1;

FIG. 4 illustrates a bottom side view of the golf club headcover of FIG. 1;

FIG. 5 illustrates a left side view of the golf club headcover of FIG. 1, the right side being a mirror image thereof;

FIG. 6 illustrates a front side view of the golf club headcover of FIG. 1; and,

FIG. 7 illustrates a back side perspective view of the golf club headcover of FIG. 1.

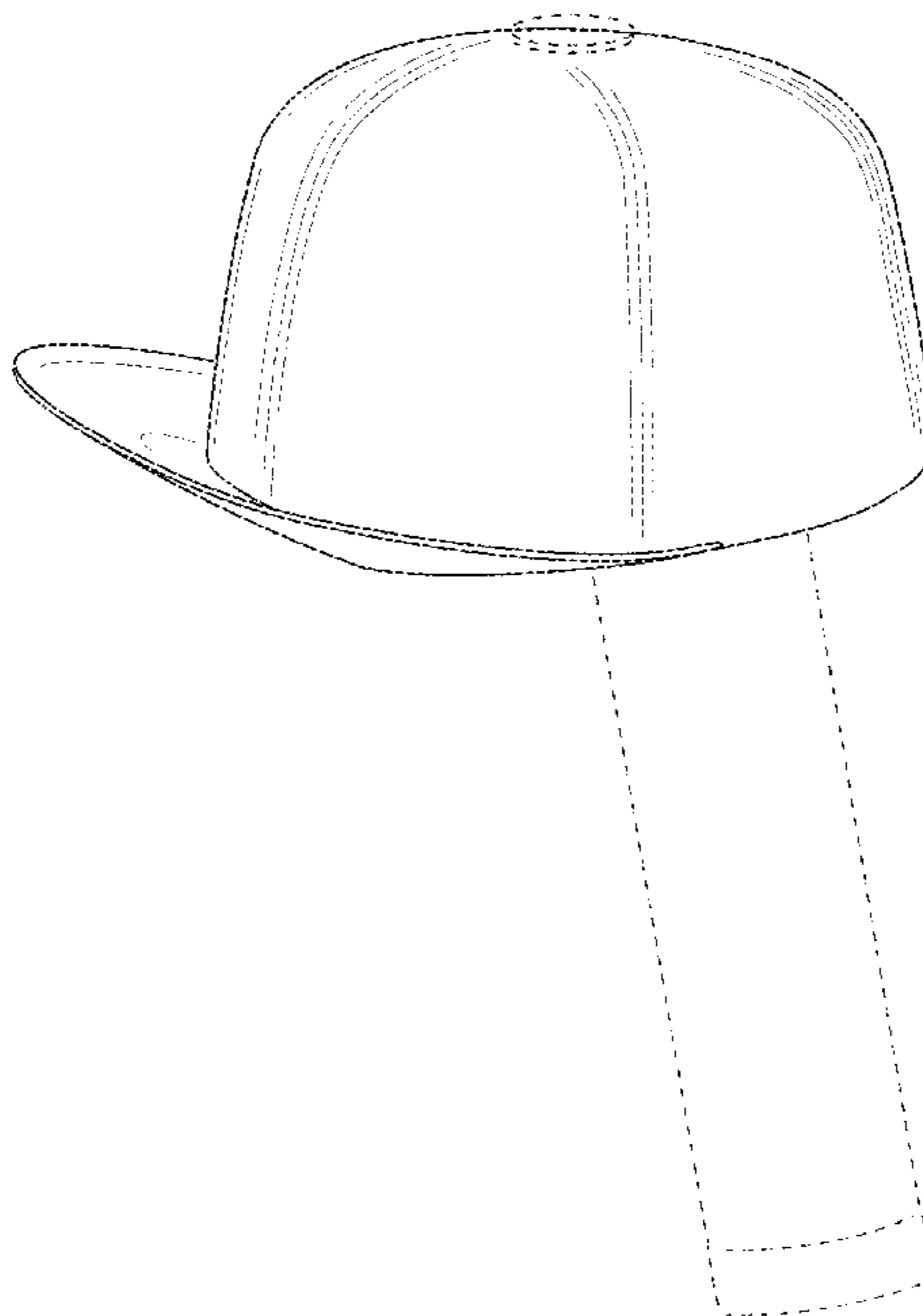
All features illustrated in phantom line are expressly disclaimed and form no part of the claimed design.

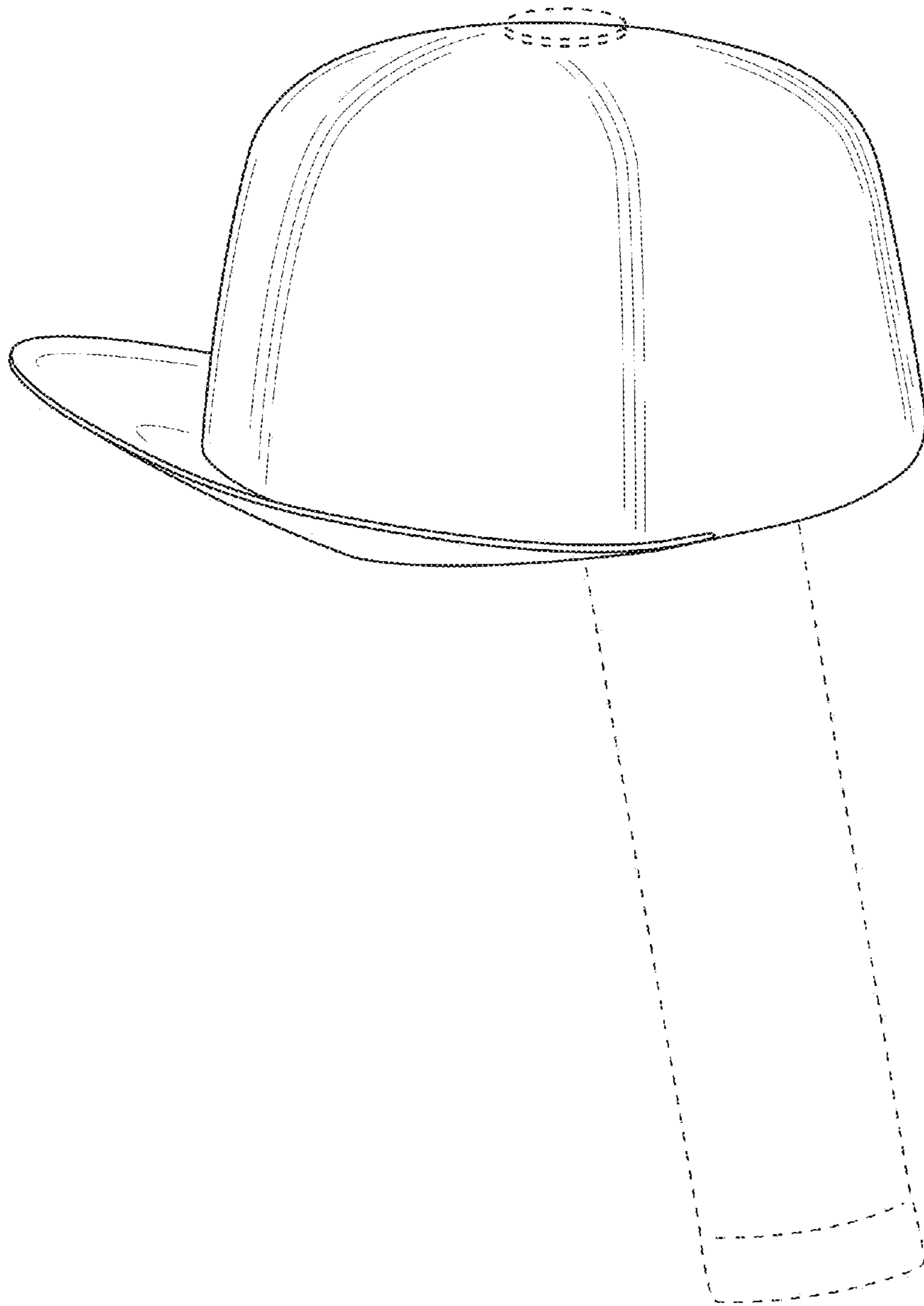
**1 Claim, 7 Drawing Sheets**

(56) **References Cited**

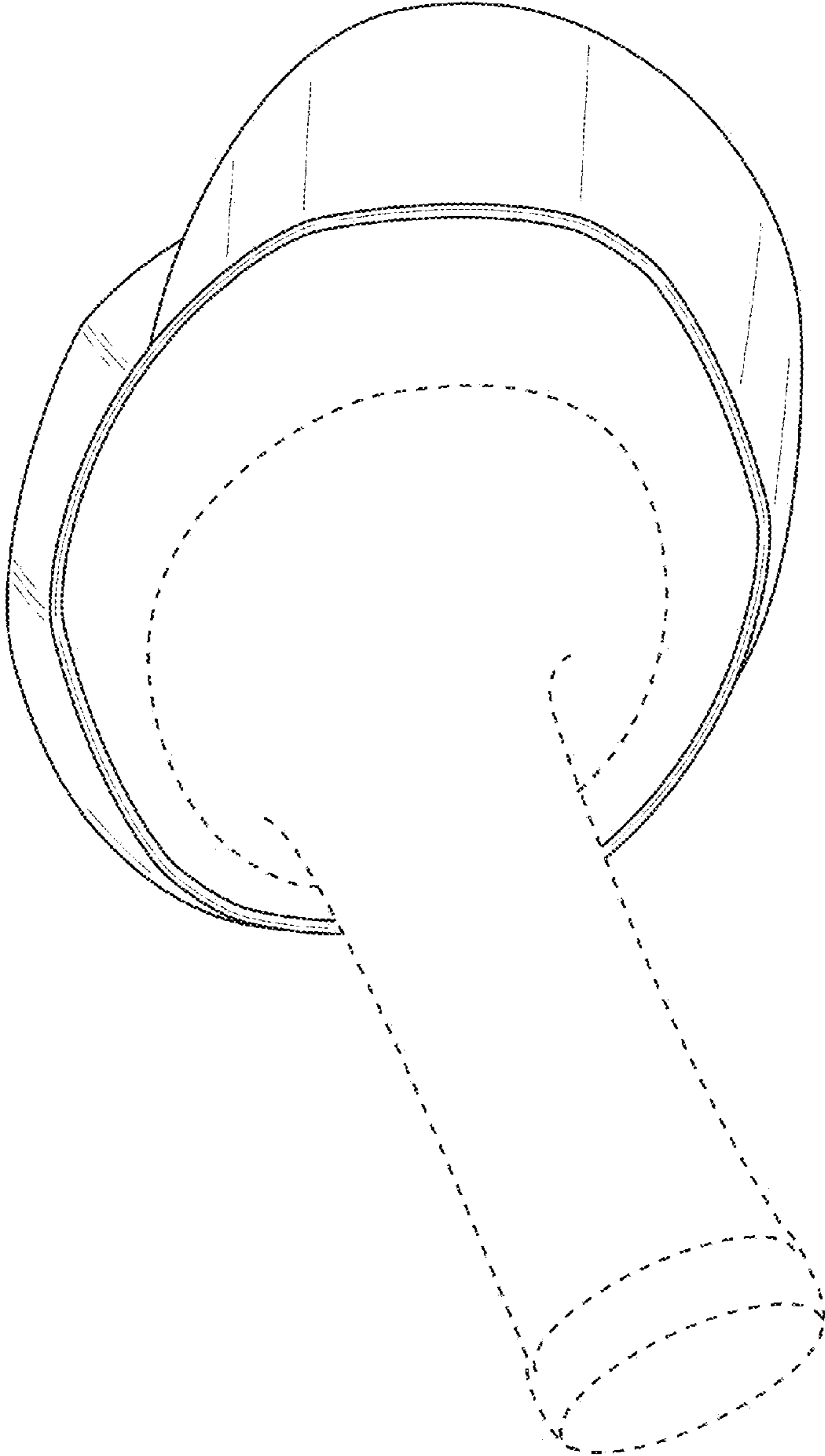
U.S. PATENT DOCUMENTS

- D273,968 S \* 5/1984 Masai et al. .... D21/754
- D312,289 S \* 11/1990 Pace ..... D21/754
- D391,741 S \* 3/1998 Baker ..... D2/882
- D402,727 S \* 12/1998 Stutzman ..... D21/754
- D402,728 S \* 12/1998 Stutzman ..... D21/754
- D410,981 S \* 6/1999 Stutzman ..... D21/754
- D412,350 S \* 7/1999 Park ..... D21/754
- D456,473 S \* 4/2002 Okamoto ..... D21/754
- D537,239 S \* 2/2007 Puett, III ..... D2/882

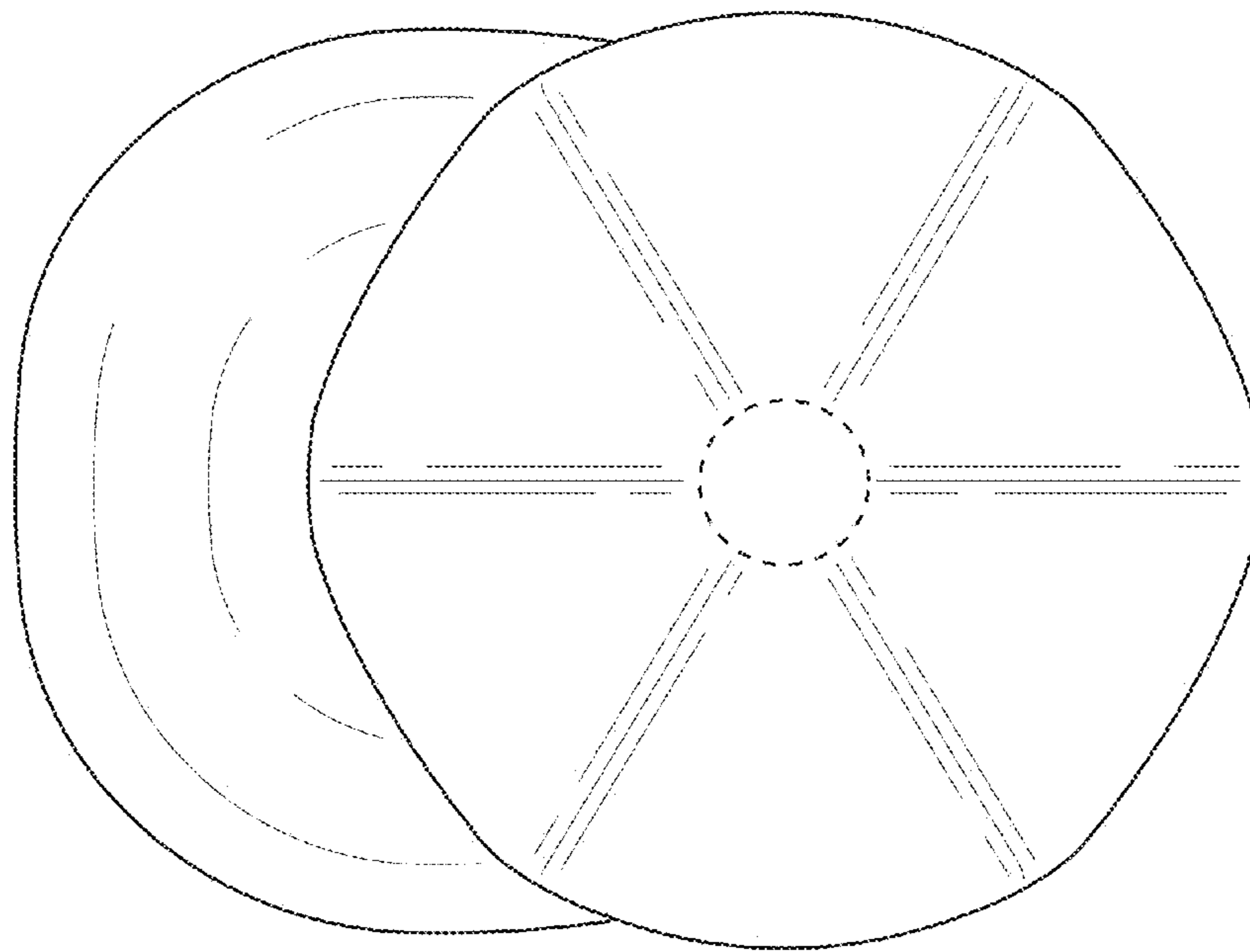




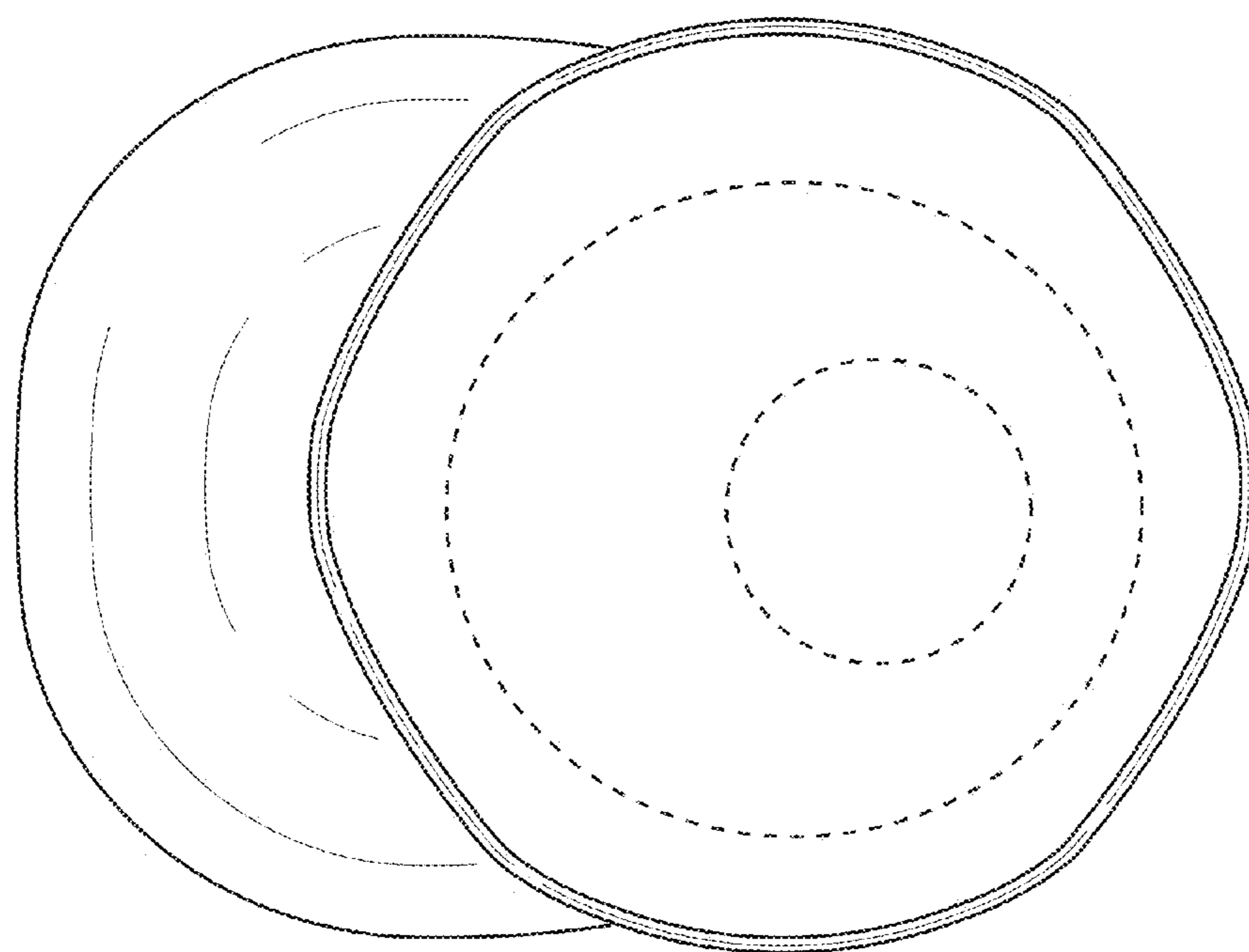
**FIG. 1**



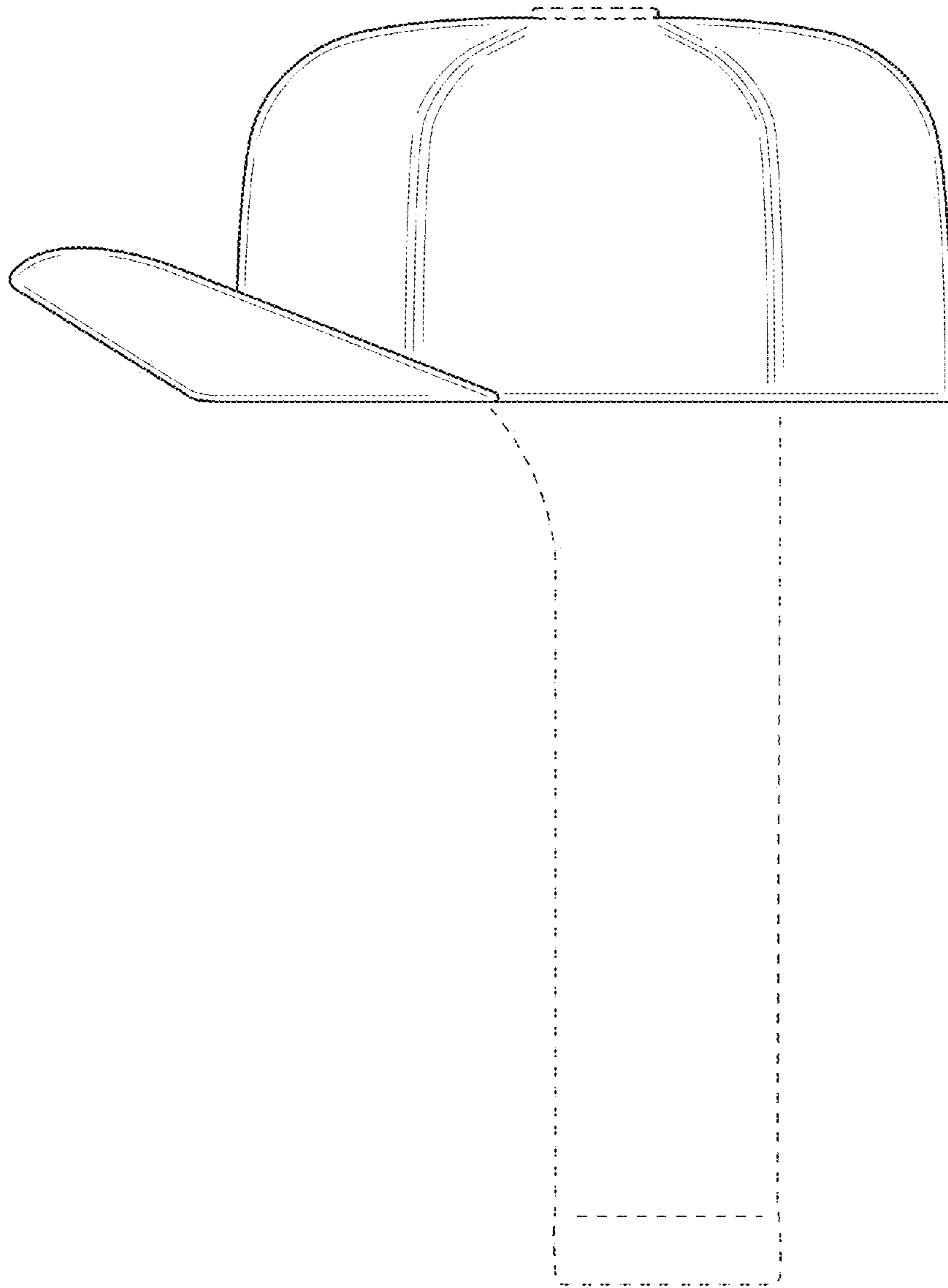
**FIG.2**



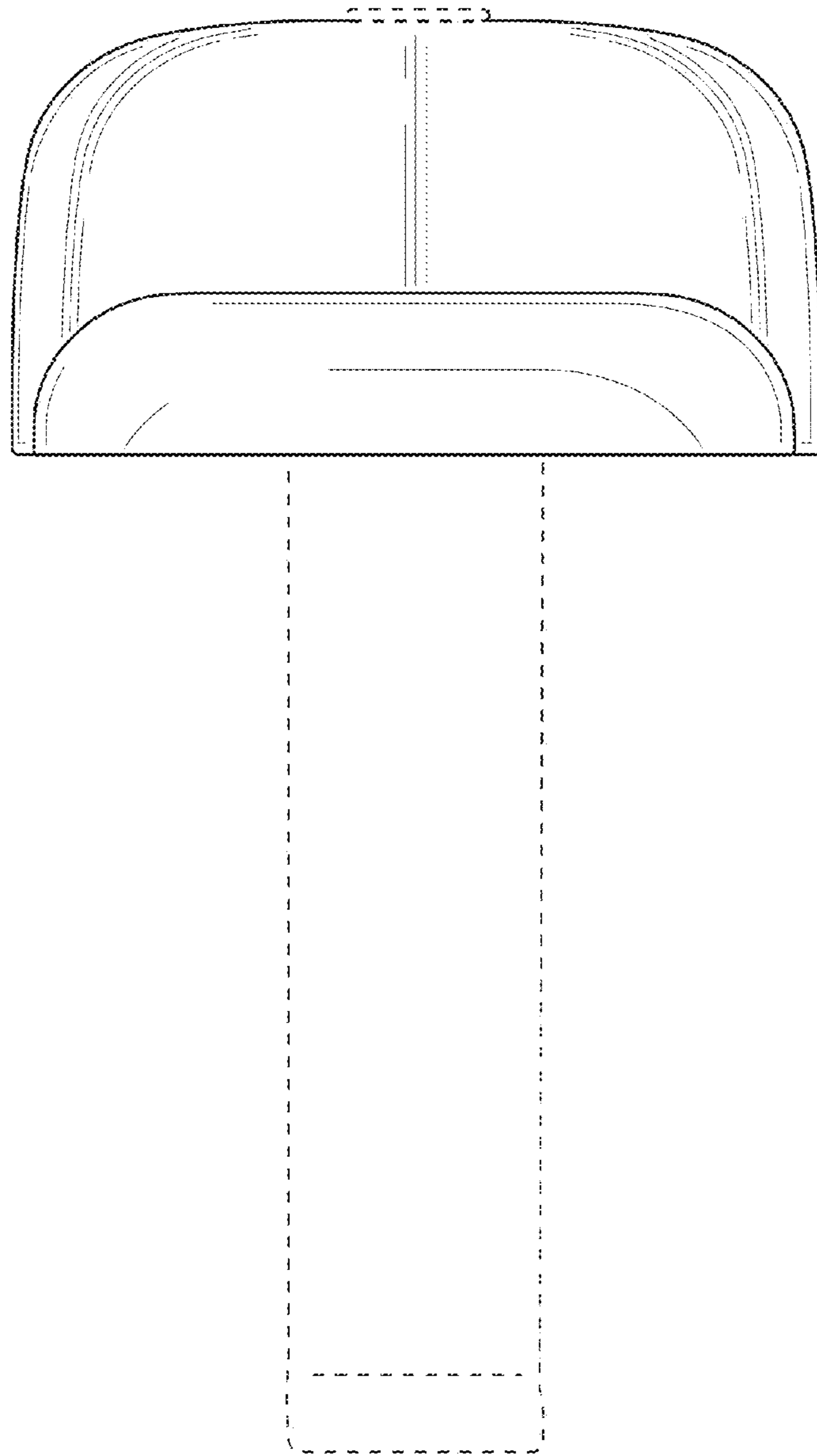
*FIG. 3*



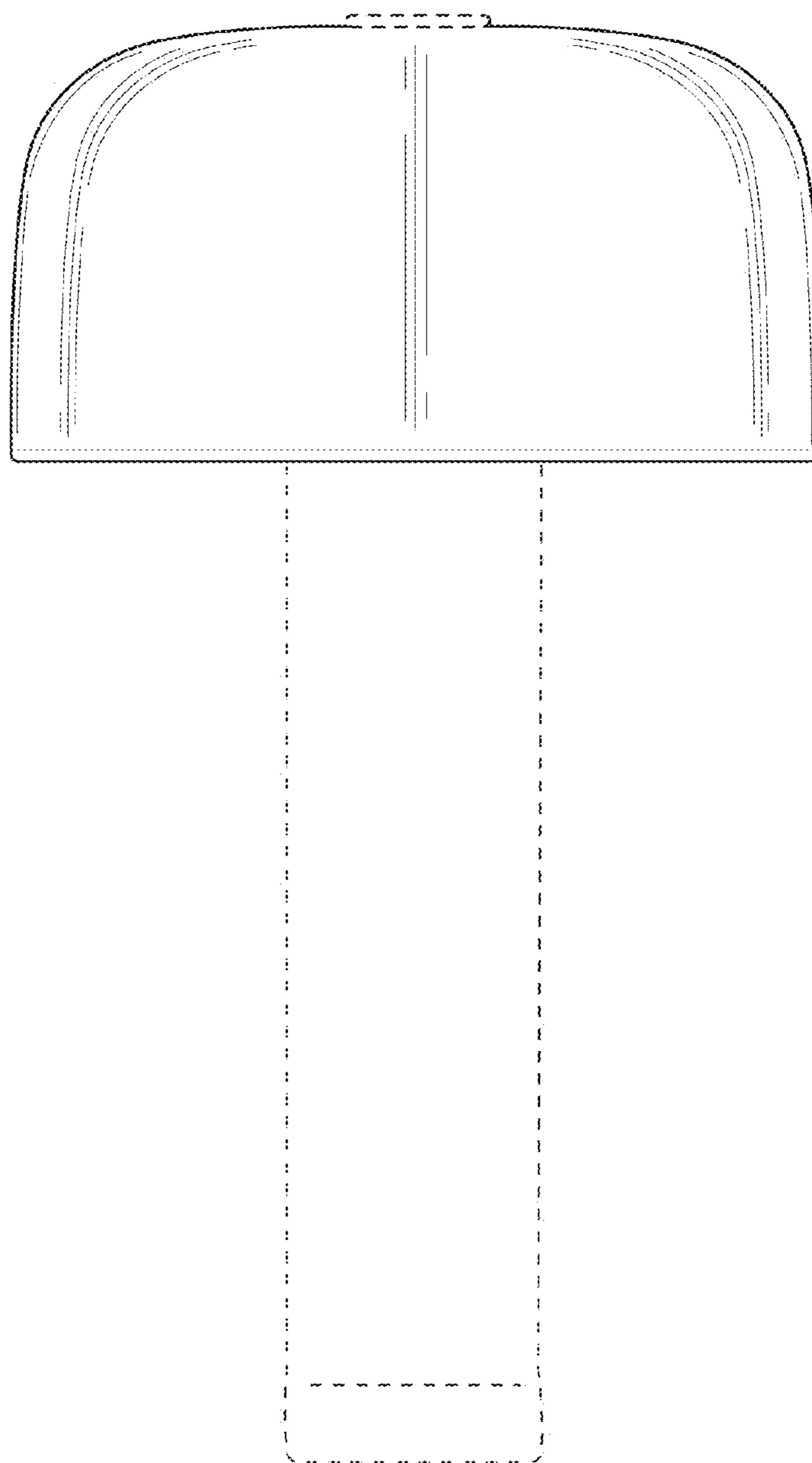
*FIG.4*



*FIG.5*



**FIG. 6**



*FIG. 7*