

US00D711989S

(12) **United States Design Patent**
Goodwin et al.

(10) **Patent No.:** **US D711,989 S**

(45) **Date of Patent:** **** *Aug. 26, 2014**

- (54) **BALL BAT**
- (71) Applicant: **Wilson Sporting Goods Co.**, Chicago, IL (US)
- (72) Inventors: **Ty B. Goodwin**, Vancouver, WA (US);
Sean S. Epling, Portland, OR (US);
John Thompson, Portland, OR (US)
- (73) Assignee: **Wilson Sporting Goods Co.**, Chicago, IL (US)
- (*) Notice: This patent is subject to a terminal disclaimer.
- (**) Term: **14 Years**
- (21) Appl. No.: **29/449,956**
- (22) Filed: **Mar. 15, 2013**
- (51) **LOC (10) Cl.** **21-02**
- (52) **U.S. Cl.**
USPC **D21/725**
- (58) **Field of Classification Search**
CPC A63B 59/06; A63B 59/0014
USPC D21/725; 473/564-568
See application file for complete search history.

5,695,419	A *	12/1997	Haringa	473/564
6,053,828	A *	4/2000	Pitsenberger	473/566
D426,598	S *	6/2000	Kim	D21/725
6,159,116	A *	12/2000	Pitsenberger	473/566
D445,859	S *	7/2001	Pitsenberger	D21/725
D461,213	S *	8/2002	Smith	D21/725
6,485,382	B1	11/2002	Chen	473/466
6,702,698	B2	3/2004	Eggiman et al.		
6,743,127	B2	6/2004	Eggiman et al.		
6,945,886	B2	9/2005	Eggiman et al.	473/566
7,097,578	B2	8/2006	Guenther et al.	473/567
D590,900	S *	4/2009	Sass	D21/725
D596,250	S *	7/2009	Sass	D21/725
D640,339	S *	6/2011	Goldenthal	D21/725
D649,210	S *	11/2011	Page	D21/725
D664,616	S *	7/2012	Page	D21/725

* cited by examiner

Primary Examiner — Mitchell Siegel

(74) *Attorney, Agent, or Firm* — Terence P. O'Brien

(57) **CLAIM**

We claim the ornamental design for a ball bat, as shown and described.

DESCRIPTION

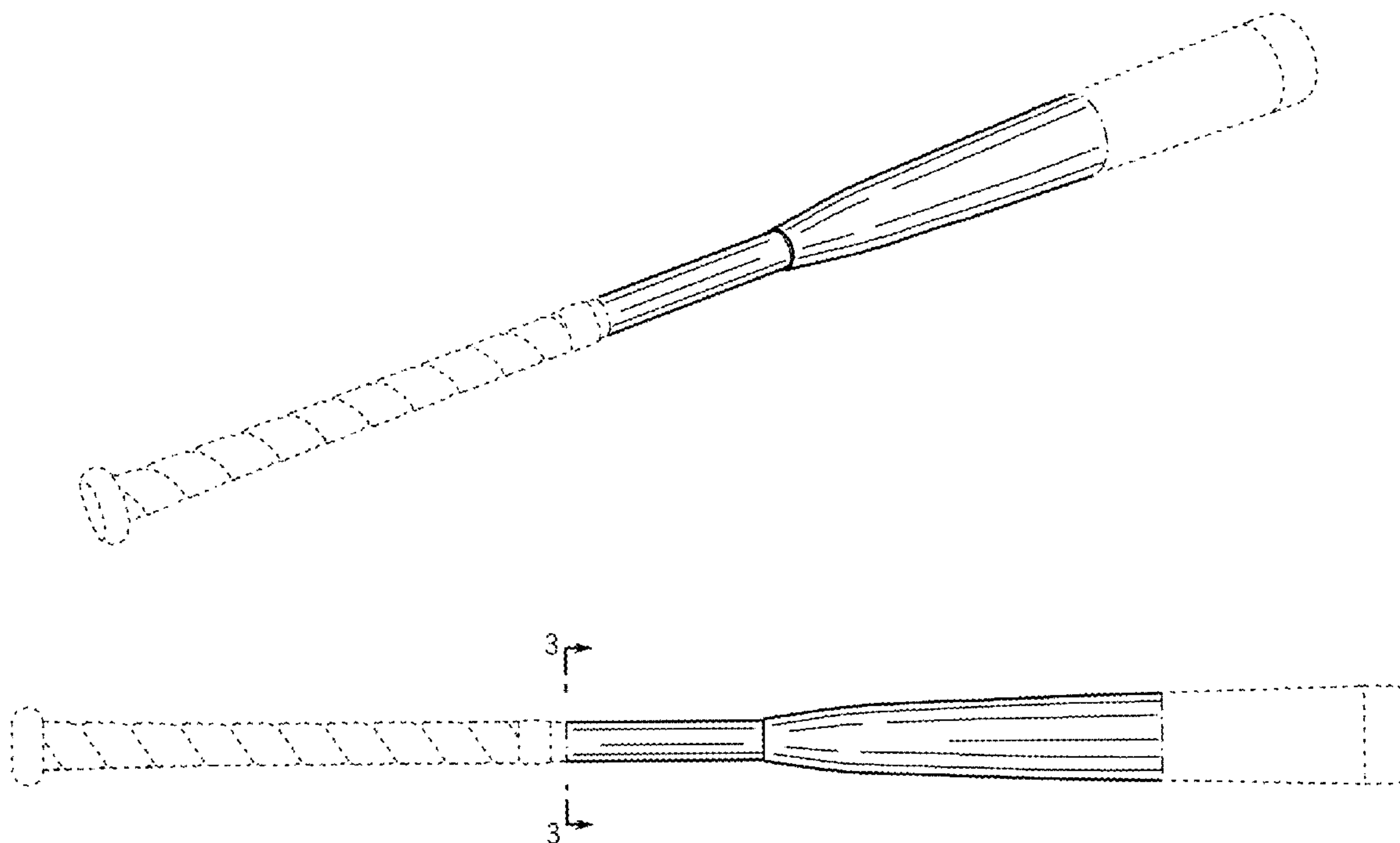
FIG. 1 is a side perspective view of a ball bat of the present design;

FIG. 2 is a side view of the ball bat of FIG. 1; and, FIG. 3 is an end view of the ball bat of FIG. 1.

The ornamental design that is claimed is shown in solid lines in the drawings. The broken (dashed) lines shown in FIGS. 1 through 3 are included only for the purpose of illustrating environmental elements and break lines, and form no part of the claimed design.

1 Claim, 1 Drawing Sheet

- (56) **References Cited**
U.S. PATENT DOCUMENTS
3,955,816 A * 5/1976 Bratt 473/457
D335,314 S * 5/1993 Coyle, Jr. D21/725
5,303,917 A 4/1994 Uke 273/72
5,593,158 A 1/1997 Filice et al. 473/520



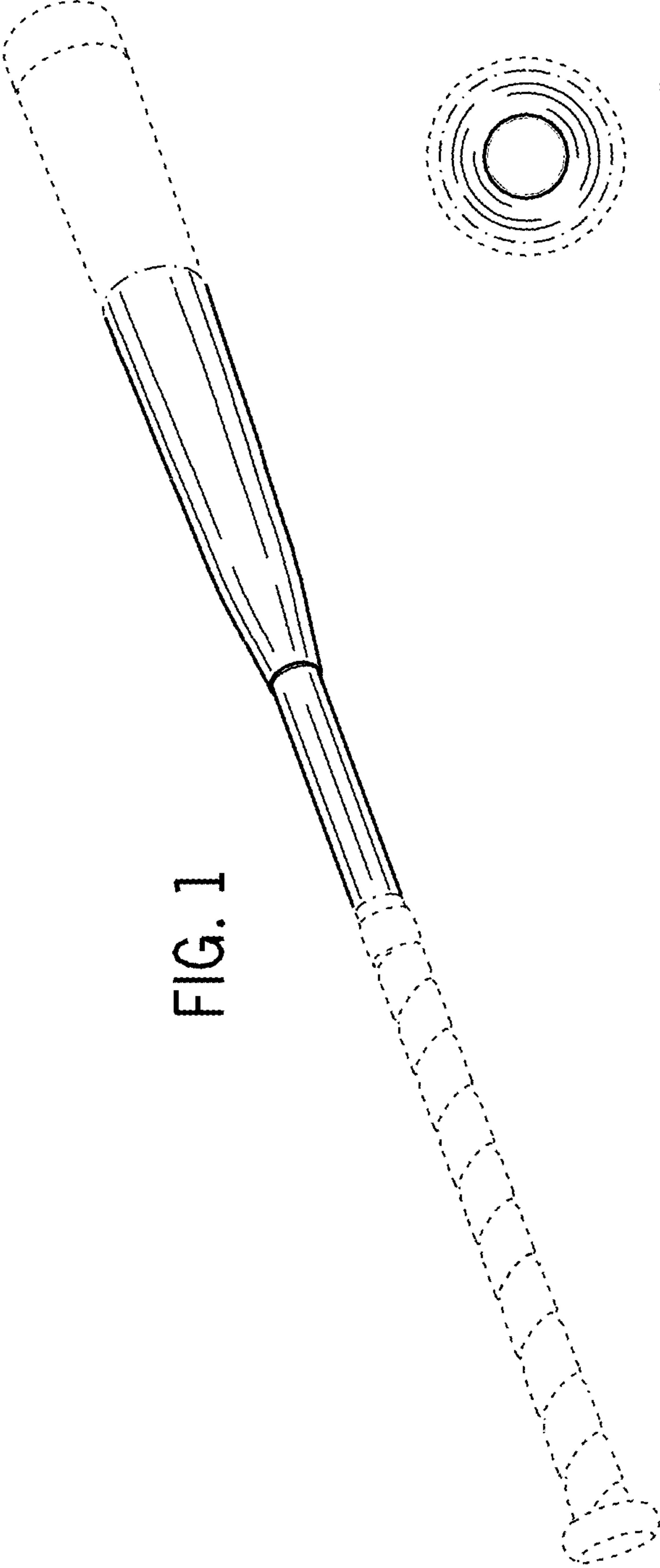


FIG. 1

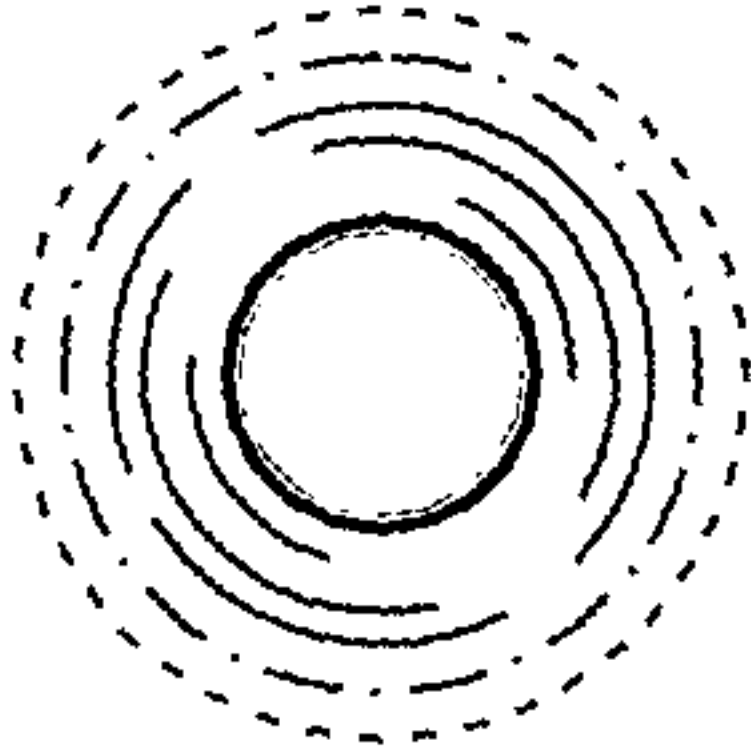


FIG. 3

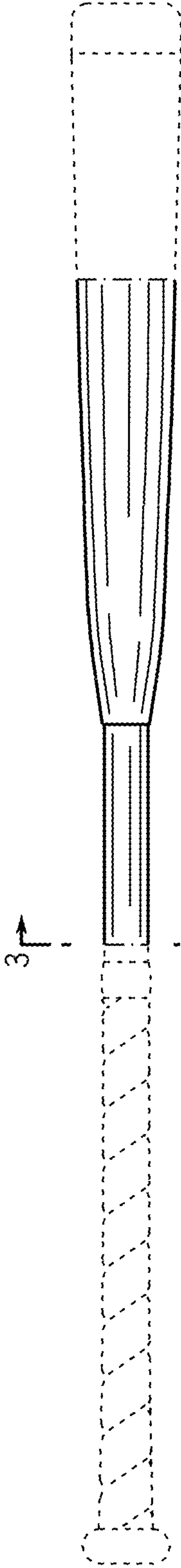


FIG. 2