



US00D711985S

(12) **United States Design Patent**
Will

(10) **Patent No.:** **US D711,985 S**

(45) **Date of Patent:** **** Aug. 26, 2014**

(54) **EXERCISE DEVICE**

(71) Applicant: **Hershel Will**, Los Angeles, CA (US)

(72) Inventor: **Hershel Will**, Los Angeles, CA (US)

(**) Term: **14 Years**

(21) Appl. No.: **29/451,430**

(22) Filed: **Apr. 2, 2013**

(51) **LOC (10) Cl.** **21-02**

(52) **U.S. Cl.**
USPC **D21/687**

(58) **Field of Classification Search**
USPC D21/662, 686, 687, 688, 690, 691;
482/140, 132, 91, 95, 96

See application file for complete search history.

(56) **References Cited**

U.S. PATENT DOCUMENTS

D371,177	S	*	6/1996	Efobi	D21/687
5,545,114	A	*	8/1996	Gvoich	482/140
5,577,987	A	*	11/1996	Brown	482/140
5,630,778	A	*	5/1997	Barreca	482/140
D381,378	S	*	7/1997	Colonello et al.	D21/687

D384,379	S	*	9/1997	Lin	D21/687
D385,929	S	*	11/1997	Mishan	D21/687
5,941,809	A	*	8/1999	Sainz et al.	493/59
6,544,151	B2	*	4/2003	Tornabene	482/122
7,115,881	B2	*	10/2006	Rabinowitz et al.	250/423 R
D558,843	S	*	1/2008	Nardone	D21/687
D573,671	S	*	7/2008	Nardone	D21/687
D659,207	S	*	5/2012	Brown	D21/687

* cited by examiner

Primary Examiner — Phillip S Hyder

(74) *Attorney, Agent, or Firm* — Michael N Cohen; Cohen IP Law Group P.C.

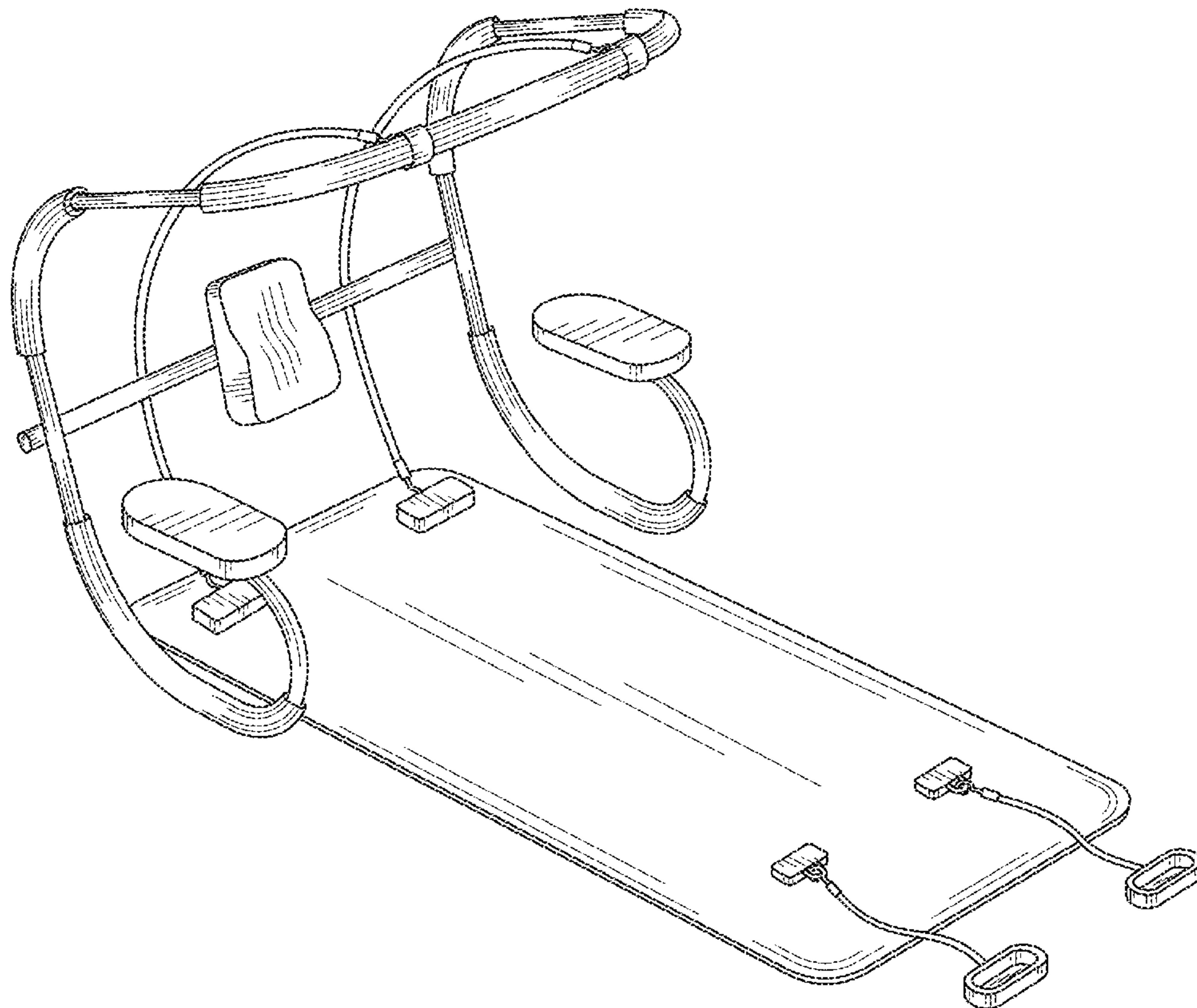
(57) **CLAIM**

I claim the ornamental design for the exercise device, as shown and described.

DESCRIPTION

FIG. 1 is a side perspective view of the exercise device; FIG. 2 is a top view of FIG. 1; FIG. 3 is a bottom view of FIG. 1; FIG. 4 is a side view of FIG. 1; FIG. 5 is a back view of FIG. 1; and, FIG. 6 is a front view of FIG. 1.

1 Claim, 6 Drawing Sheets



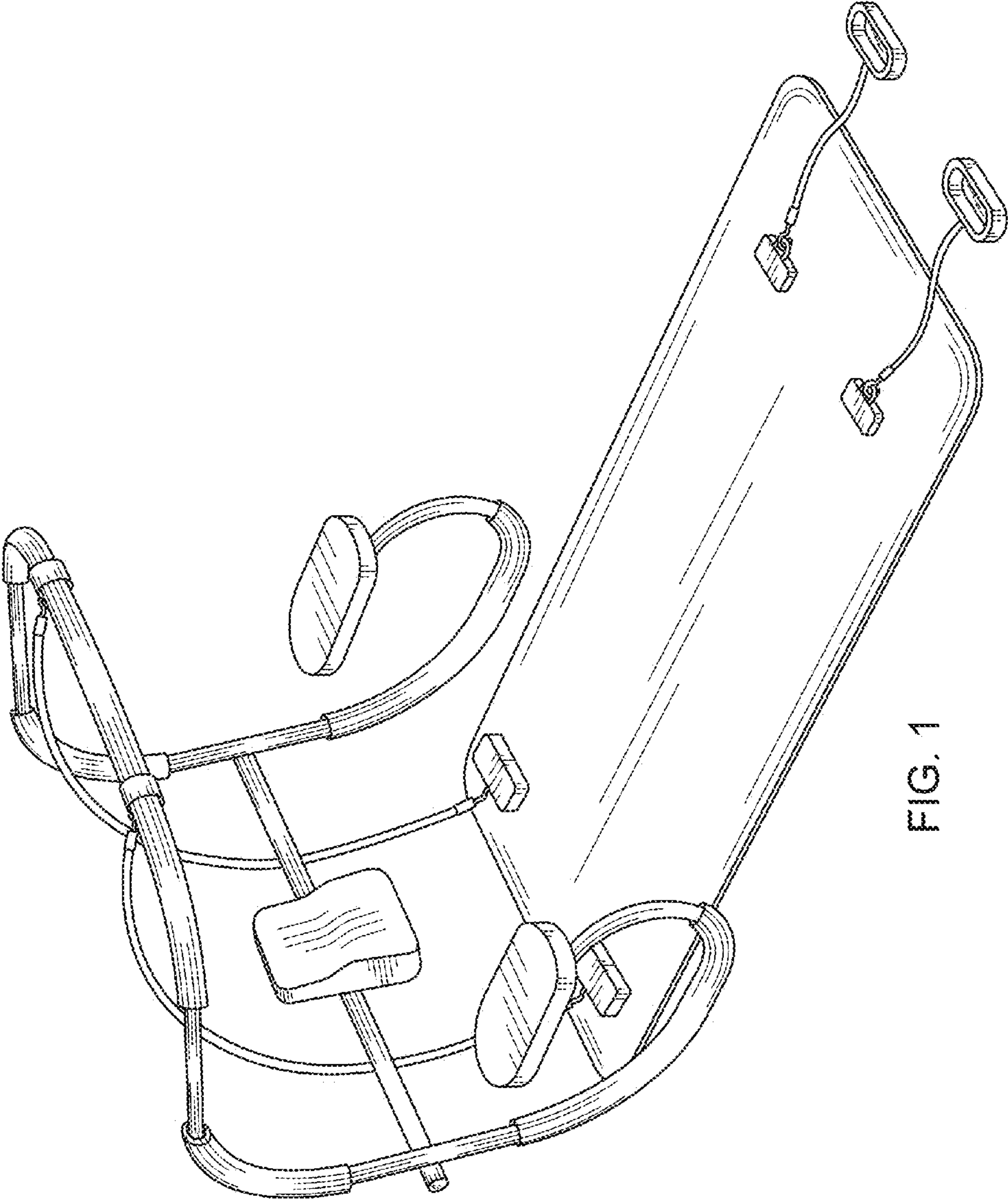


FIG. 1

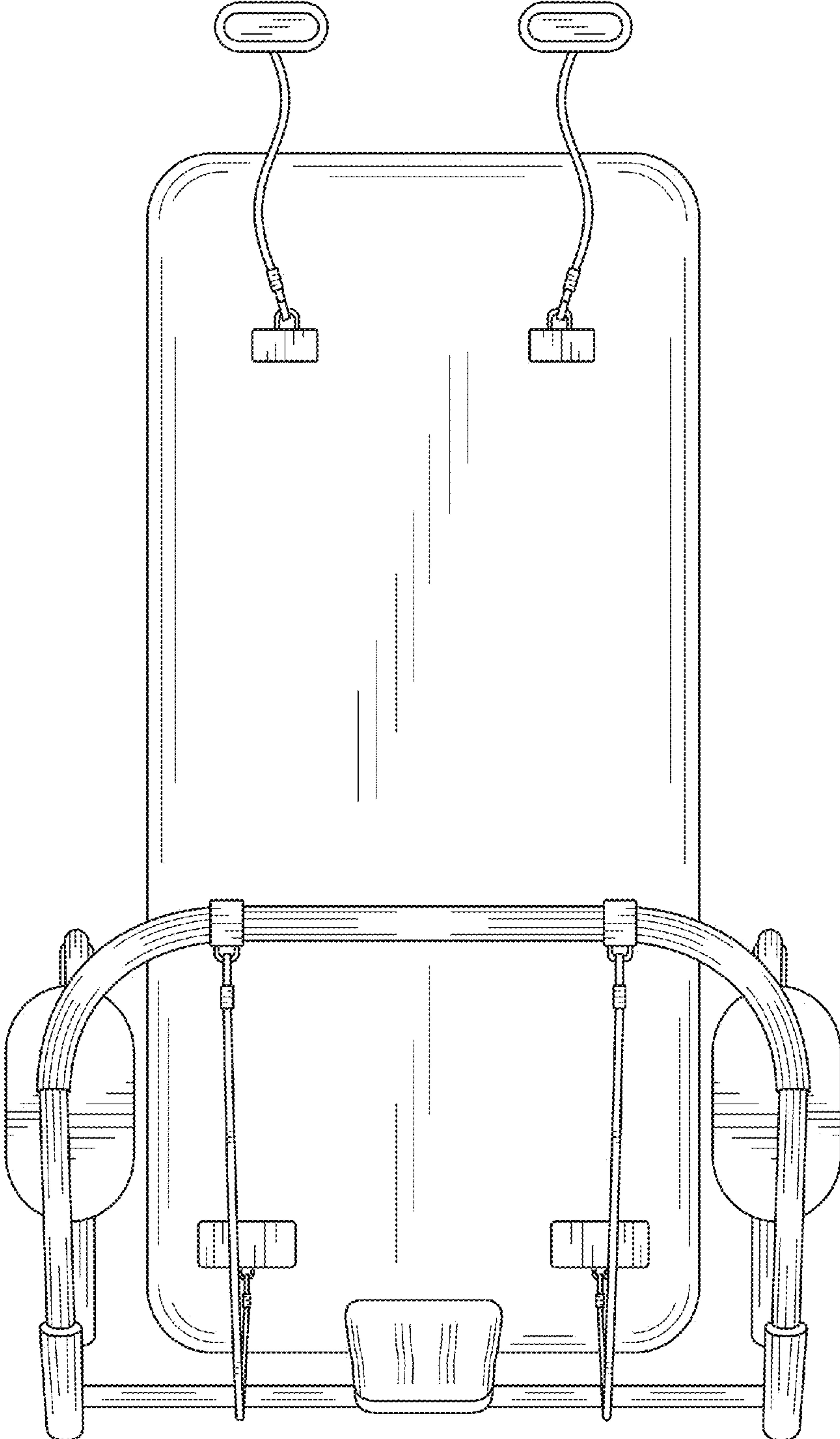


FIG. 2

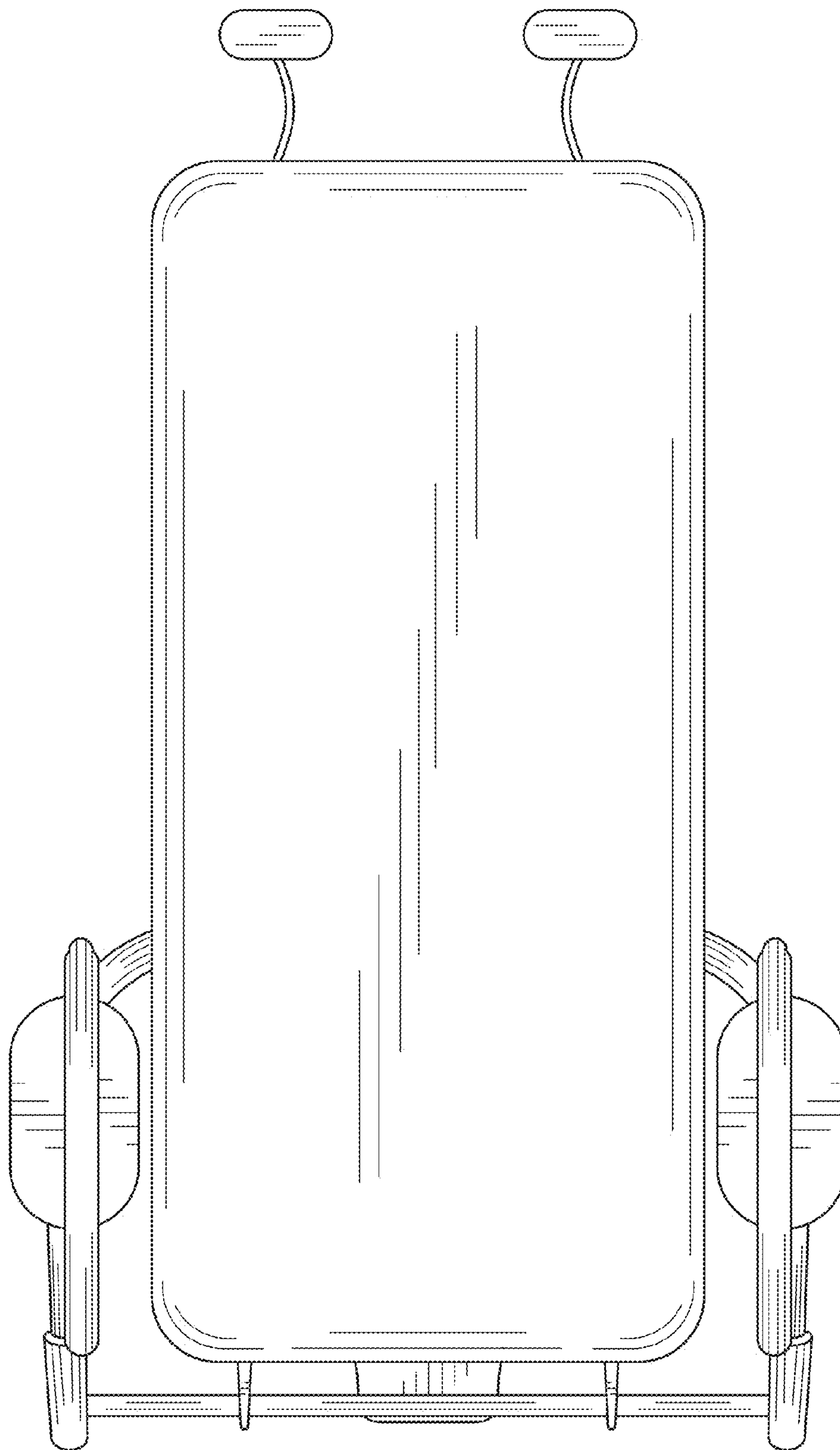


FIG. 3

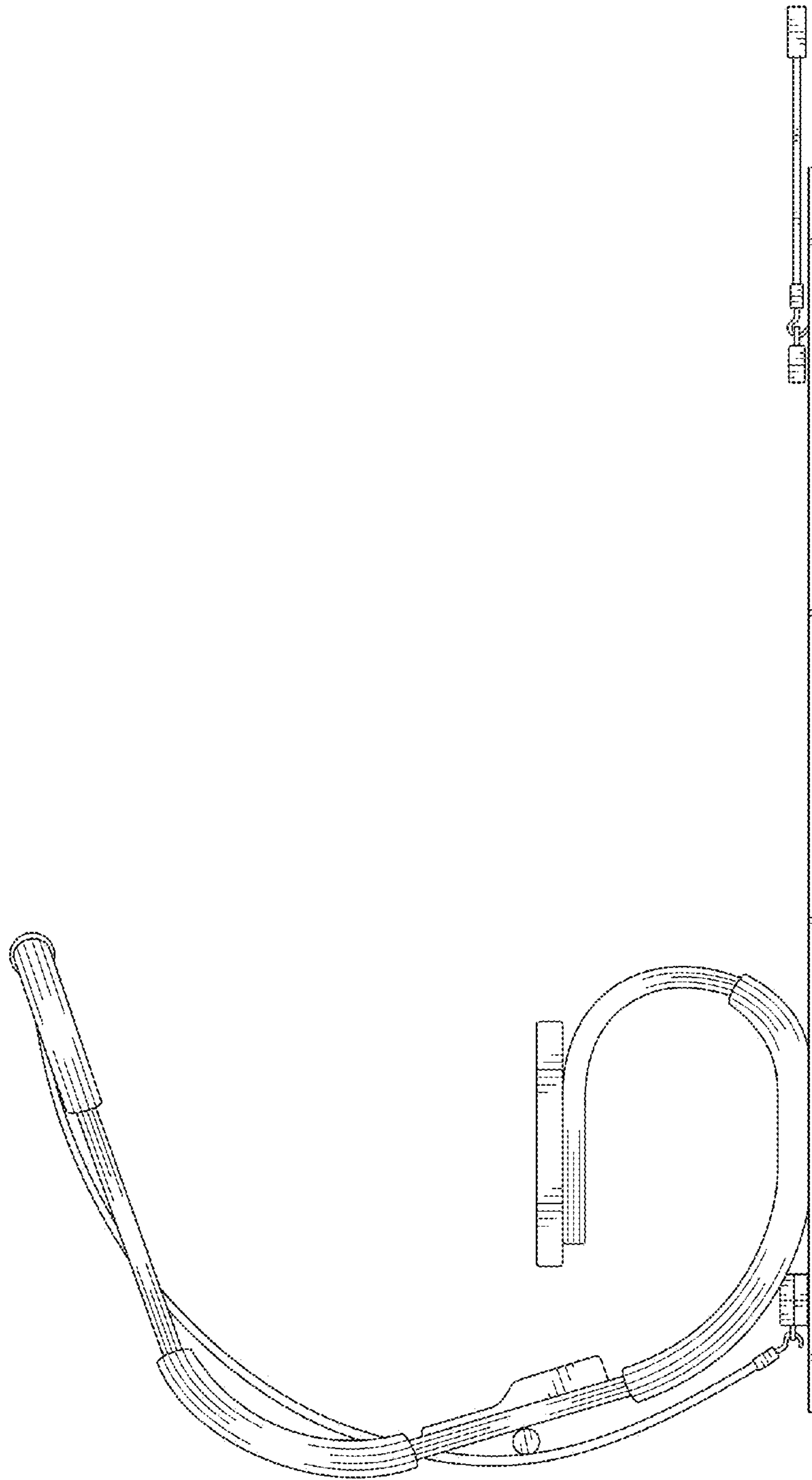


FIG. 4

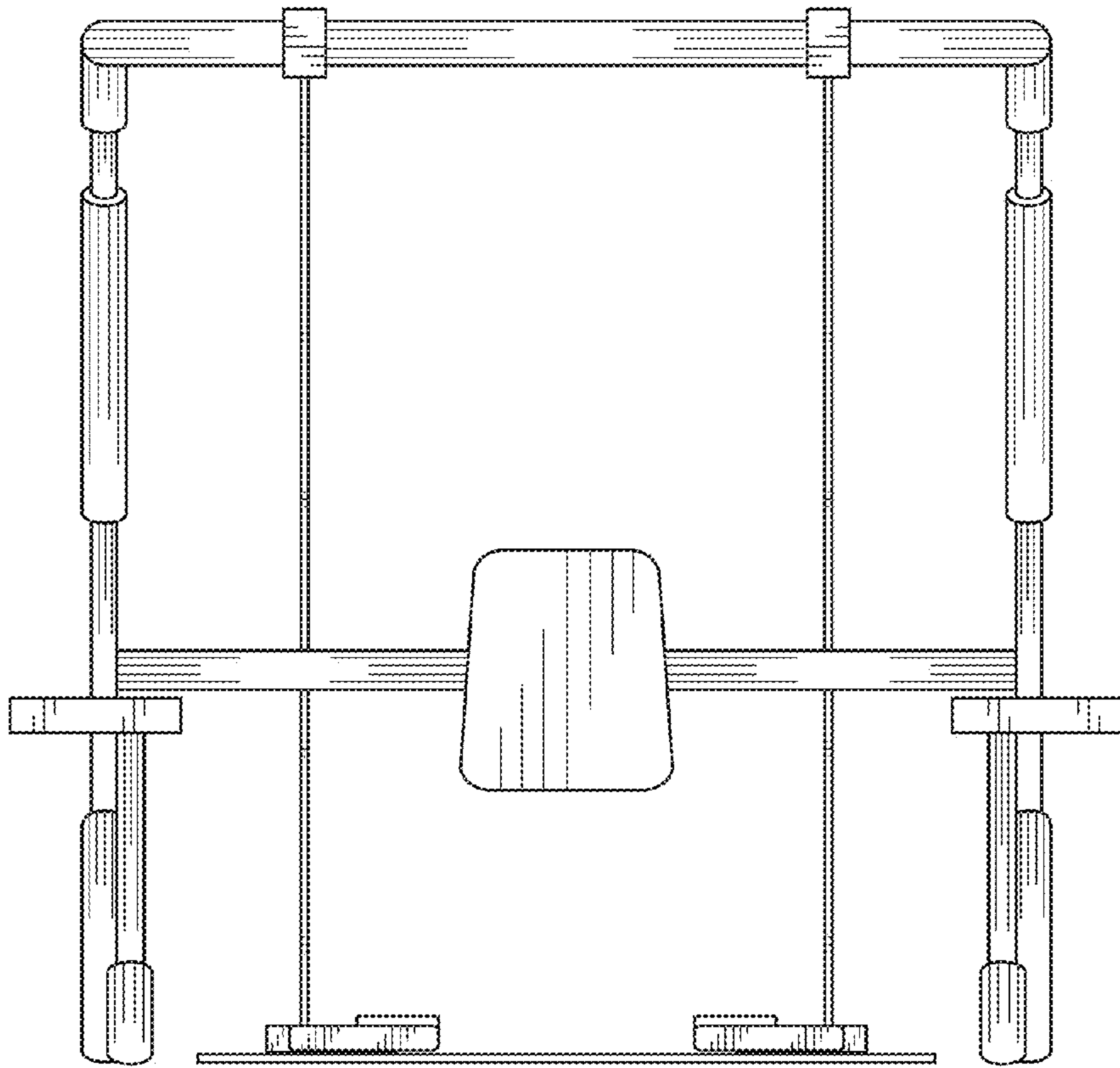


FIG. 5

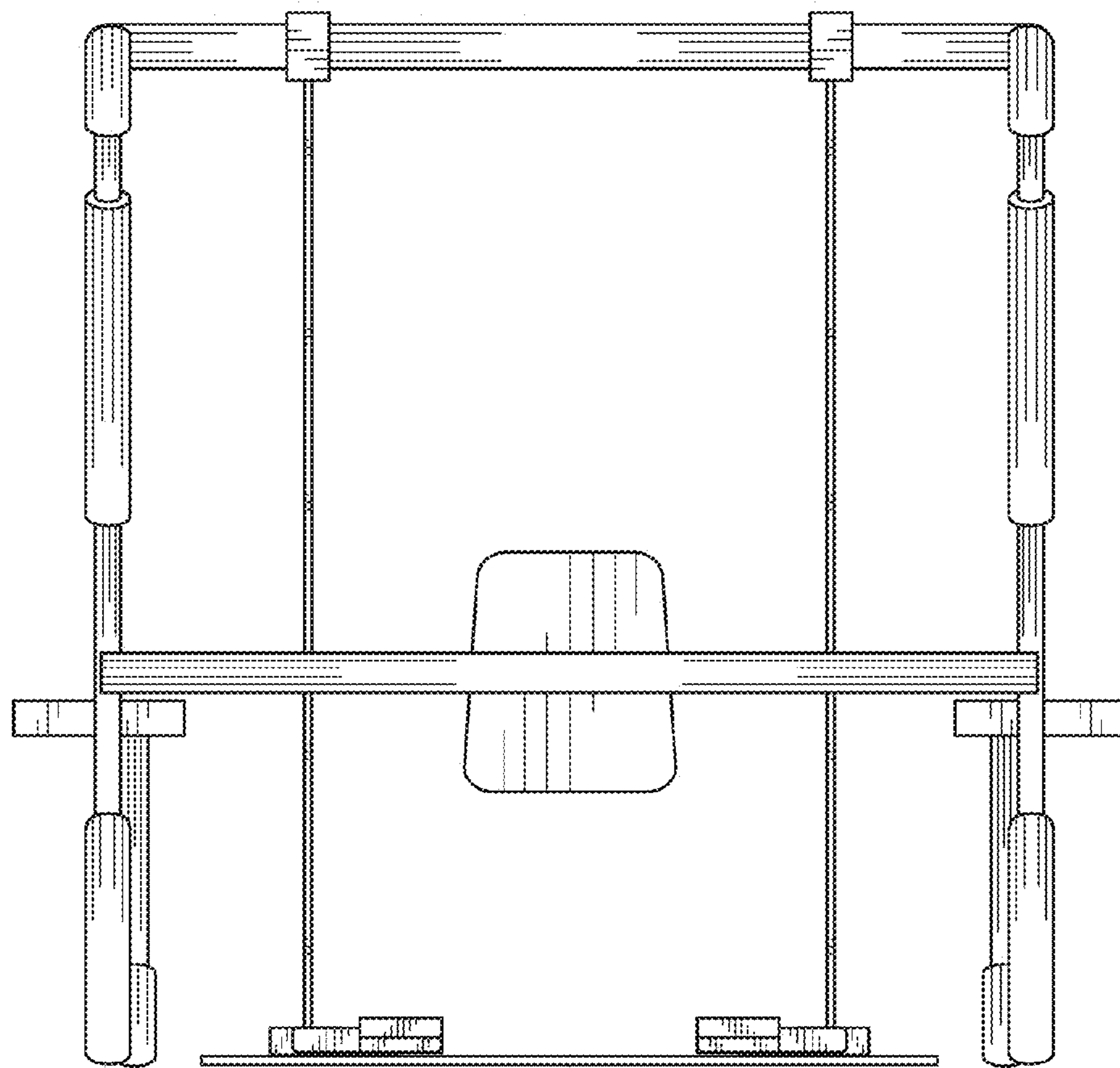


FIG. 6