



US00D711984S

(12) **United States Design Patent**
Smyth

(10) **Patent No.:** **US D711,984 S**

(45) **Date of Patent:** **** *Aug. 26, 2014**

(54) **EXERCISE SLIDE BOARD**

(76) Inventor: **Daniel Smyth**, Chatham (CA)

(*) Notice: This patent is subject to a terminal disclaimer.

(**) Term: **14 Years**

(21) Appl. No.: **29/407,180**

(22) Filed: **Nov. 23, 2011**

(30) **Foreign Application Priority Data**

Sep. 27, 2011 (CA) 142453

(51) **LOC (10) Cl.** **21-02**

(52) **U.S. Cl.**
USPC **D21/686**

(58) **Field of Classification Search**
USPC D21/662, 671, 674, 686-689, 694, 797,
D21/798; 482/46, 70, 79, 93, 96, 121, 123,
482/129-131, 140, 142

See application file for complete search history.

(56) **References Cited**

U.S. PATENT DOCUMENTS

- 1,625,447 A 4/1927 Benice
- 1,750,549 A * 3/1930 Thomson et al. 482/72
- D87,261 S * 6/1932 Hardy et al. D21/674
- D118,847 S * 2/1940 Wright D21/687
- D193,435 S * 8/1962 Weiss D21/674
- D203,123 S * 12/1965 Spackman, Jr. et al. D21/686
- 3,467,376 A * 9/1969 Feinberg 273/452
- 3,559,986 A 2/1971 Ehrmantraut
- 3,620,530 A 11/1971 Cosby
- 3,658,327 A 4/1972 Thiede
- D225,343 S 12/1972 Flick
- D268,277 S 3/1983 Smith
- 4,402,506 A 9/1983 Jones
- 4,512,571 A 4/1985 Hermelin
- D289,539 S 4/1987 Brentham

- 4,684,121 A 8/1987 Nestegard
- 4,813,667 A 3/1989 Watterson
- 4,848,737 A * 7/1989 Ehrenfield 482/52
- 4,921,242 A 5/1990 Watterson
- D314,027 S * 1/1991 Lo D21/674

(Continued)

FOREIGN PATENT DOCUMENTS

- KR 101171881 8/2012
- WO WO 2007/070278 6/2007
- WO 2010/139015 12/2010
- WO WO 2013/009577 1/2013

OTHER PUBLICATIONS

International Search Report for International Application No. PCT/CA2013/050327 filed Apr. 29, 2013.

(Continued)

Primary Examiner — Susan E Krakower
(74) *Attorney, Agent, or Firm* — Woodard Emhardt Moriarty
McNett & Henry LLP

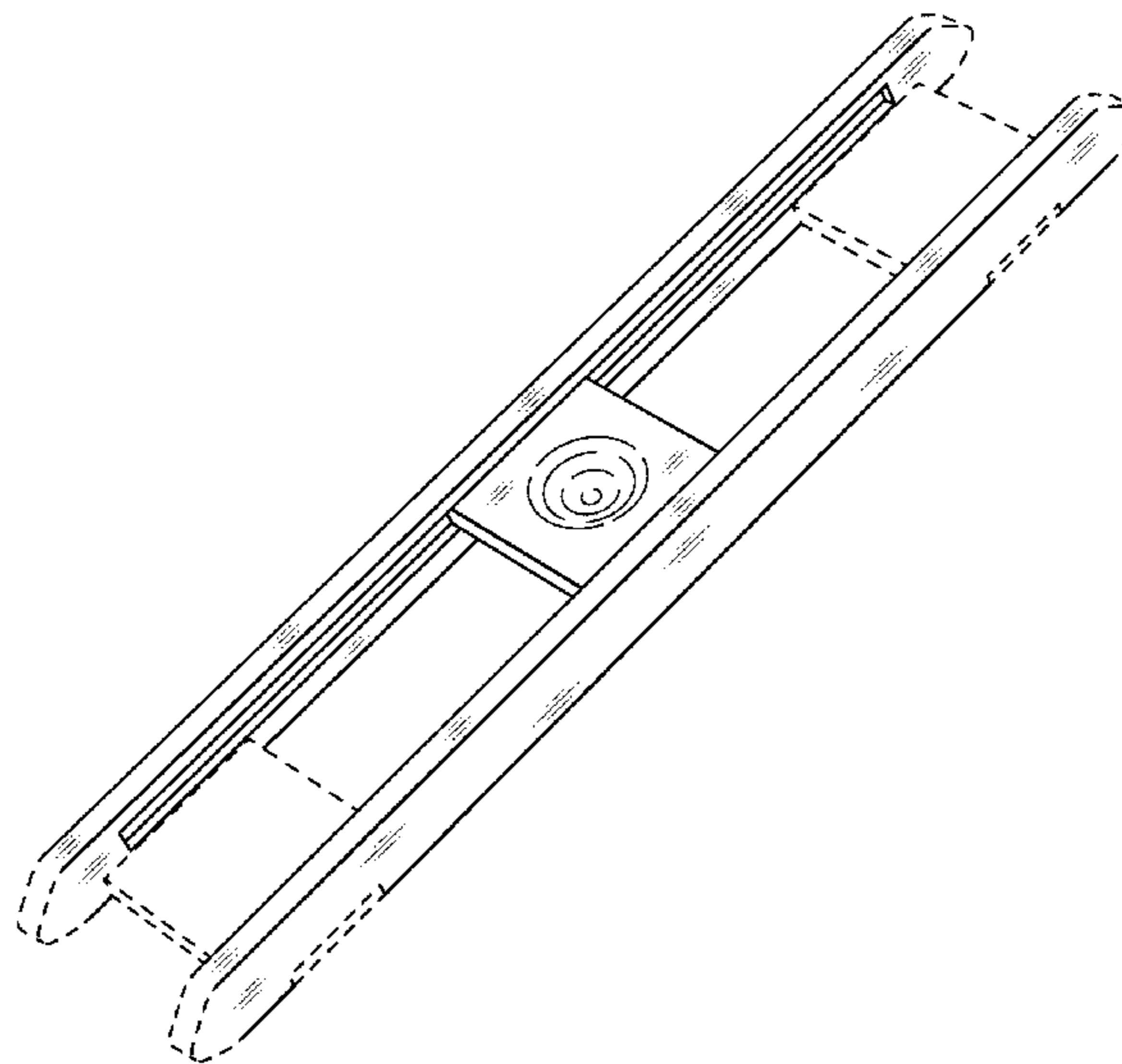
(57) **CLAIM**

The ornamental design for a exercise slide board, as shown and described.

DESCRIPTION

FIG. 1 is a perspective view of an exercise slide board showing my design;
FIG. 2 is a front view thereof;
FIG. 3 is a rear view thereof;
FIG. 4 is a right side view thereof;
FIG. 5 is a left side view thereof;
FIG. 6 is a top plan view thereof; and,
FIG. 7 is a bottom plan view thereof.
The broken lines depict environmental subject matter only and form no part of the claimed design.

1 Claim, 3 Drawing Sheets



(56)

References Cited

U.S. PATENT DOCUMENTS

5,145,481 A * 9/1992 Friedebach 482/70
 5,279,530 A 1/1994 Hess
 5,499,958 A 3/1996 Hess
 5,518,483 A * 5/1996 Oswald 482/131
 5,518,484 A * 5/1996 Bruckenstein 482/131
 D403,163 S 12/1998 Lipps
 D419,625 S 1/2000 Barnett et al.
 6,013,010 A 1/2000 Farsaie
 D425,585 S 5/2000 Wu
 D483,082 S * 12/2003 Toole D21/662
 D622,787 S 8/2010 Masterson et al.
 D623,244 S 9/2010 Hoffman
 D630,275 S 1/2011 Mills et al.
 7,931,570 B2 * 4/2011 Hoffman 482/123
 7,951,050 B2 5/2011 Raumann et al.
 8,033,971 B2 * 10/2011 Campanaro et al. 482/142
 8,142,336 B1 3/2012 Yates

2001/0036885 A1 11/2001 Castellot et al.
 2004/0043876 A1 * 3/2004 Craciunescu 482/114
 2005/0181914 A1 8/2005 Radkowski et al.
 2009/0098983 A1 * 4/2009 Hoffman 482/70
 2009/0098988 A1 * 4/2009 Kennedy 482/140
 2010/0016131 A1 1/2010 Hoffman
 2010/0311555 A1 * 12/2010 Campanaro et al. 482/142
 2011/0118094 A1 5/2011 Kissner et al.
 2012/0108405 A1 * 5/2012 Milo 482/142

OTHER PUBLICATIONS

Written Opinion for International Application No. PCT/CA2013/050327 filed Apr. 29, 2013.

Beaupre et al, Exercise Combined With Continuous Passive Motion or Slider board Therapy Compared with Exercise Only: A Randomized Controlled Trial of Patients Following Total Knee Arthroplasty, Physical Therapy, Apr. 2001; vol. 81, No. 4, pp. 1029-1037.

* cited by examiner

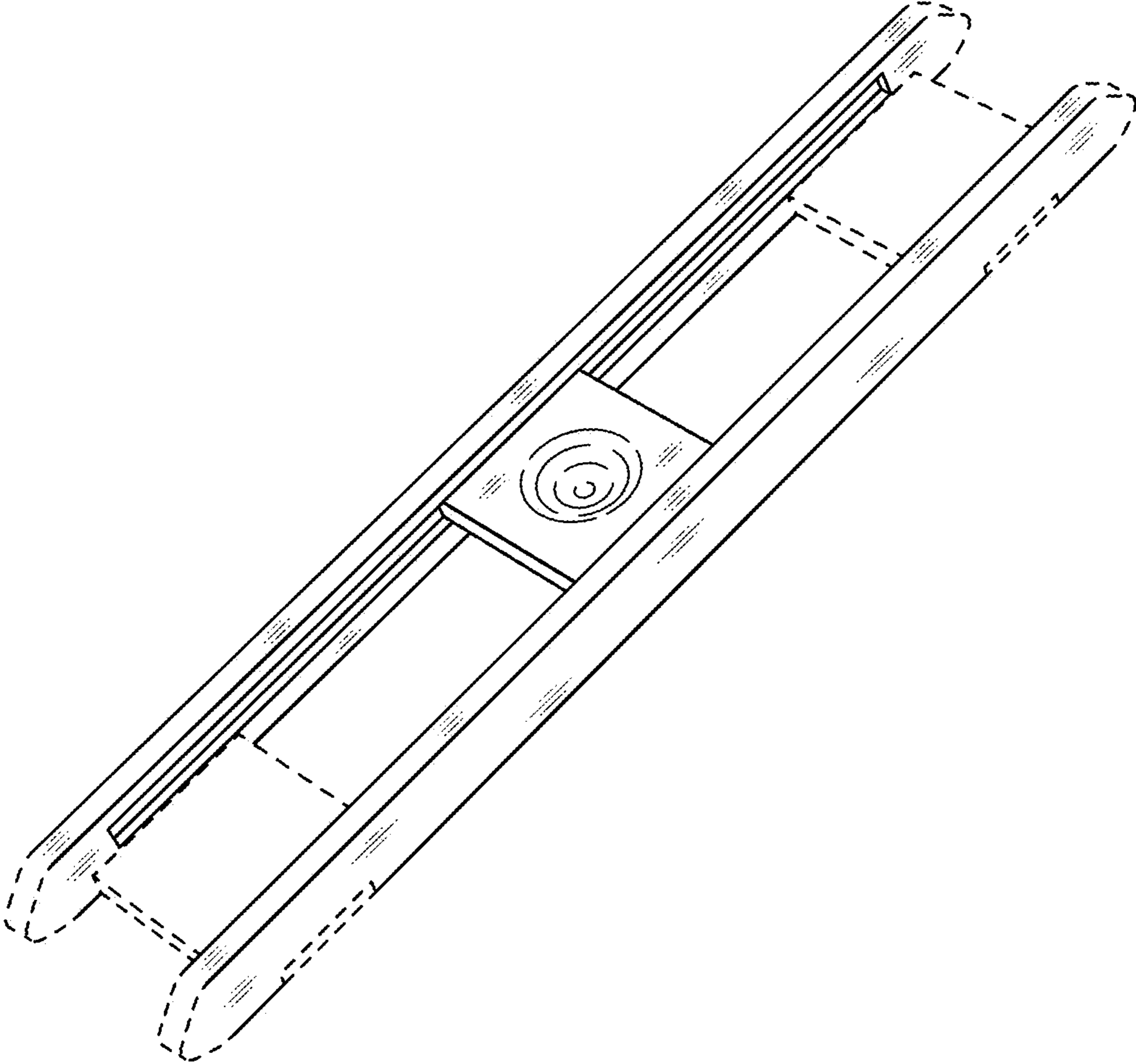


FIG. 1

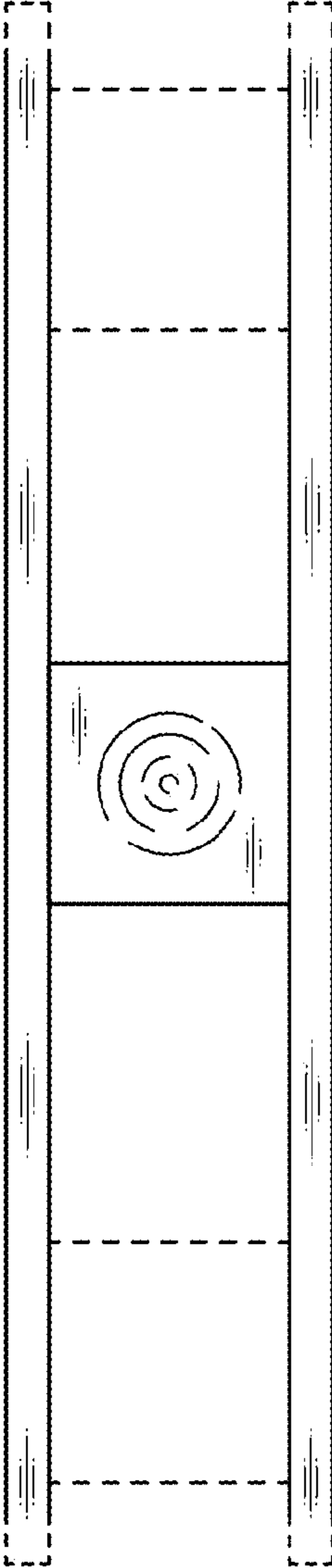


FIG. 2

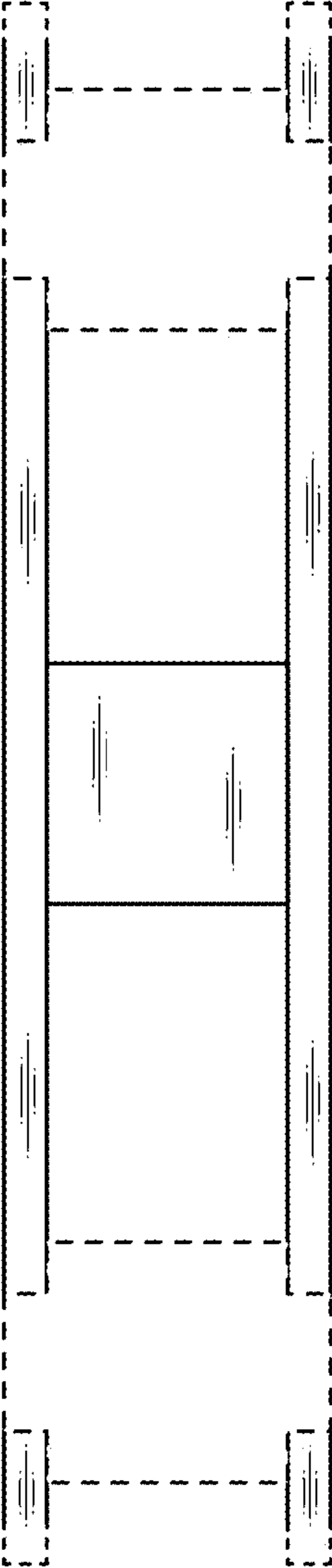


FIG. 3



FIG. 4



FIG. 5

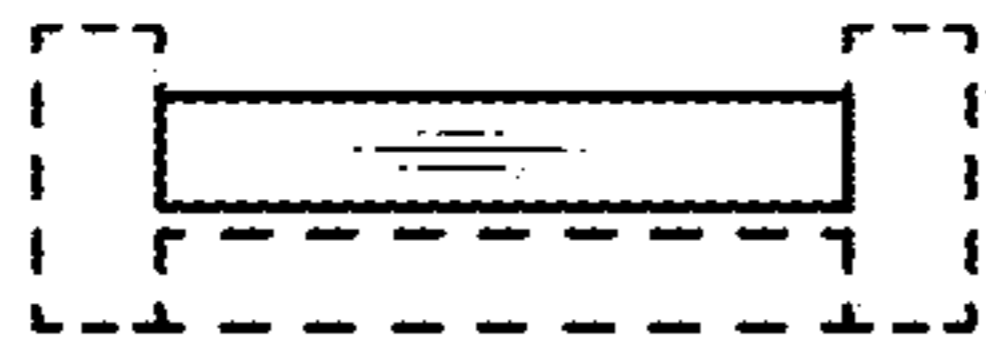


FIG. 6

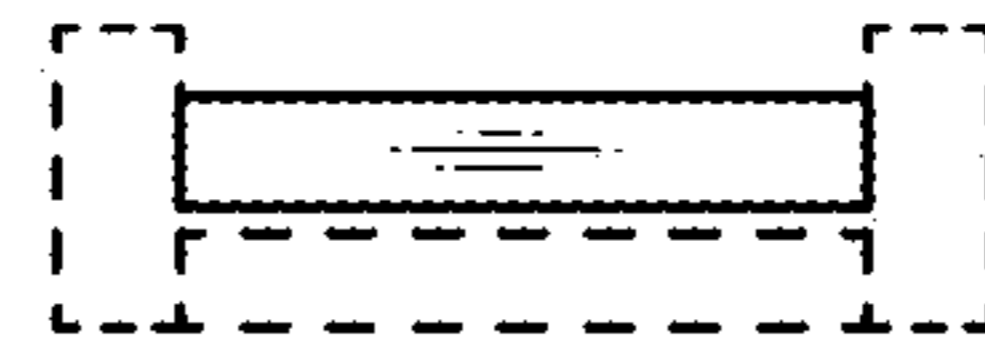


FIG. 7