



US00D711981S

(12) **United States Design Patent**  
**Norman et al.**

(10) **Patent No.:** **US D711,981 S**

(45) **Date of Patent:** **\*\* Aug. 26, 2014**

(54) **CONNECTOR COMPONENT FOR A CONSTRUCTION KIT**

(71) Applicant: **Innovation First, Inc.**, Greenville, TX (US)

(72) Inventors: **David Anthony Norman**, Greenville, TX (US); **Robert H. Mimplitch, III**, Rowlett, TX (US); **Paul David Copioli**, Rockwall, TX (US); **Gregory James Lavender**, Rockwall, TX (US); **Aren Calder Hill**, Rockford, IL (US); **Douglas Michael Galletti**, Allen, TX (US); **John Edward Vielkind-Neun**, Rockwall, TX (US); **Arthur Philip Dutra, IV**, Greenville, TX (US)

(73) Assignee: **Innovation First, Inc.**, Greenville, TX (US)

(\*\*) Term: **14 Years**

(21) Appl. No.: **29/483,312**

(22) Filed: **Feb. 27, 2014**

**Related U.S. Application Data**

(62) Division of application No. 29/451,410, filed on Apr. 2, 2013.

(51) **LOC (10) Cl.** ..... **21-01**

(52) **U.S. Cl.**  
USPC ..... **D21/503**

(58) **Field of Classification Search**  
CPC ..... A63H 33/00; A63H 33/04; A63H 33/06; A63H 33/08; A63H 33/10; A63H 33/12; A63H 33/14; A63F 9/08; A63F 9/12; G09B 1/36  
USPC ..... D21/484-505; D8/382; 273/153, 156; 446/69, 85, 102-128; 434/259

See application file for complete search history.

(56) **References Cited**

U.S. PATENT DOCUMENTS

5,172,534	A *	12/1992	Milner et al.	446/104
D391,843	S *	3/1998	Glickman et al.	D8/382
D393,417	S *	4/1998	Glickman et al.	D8/382
D409,684	S *	5/1999	Elling et al.	D21/503
D414,530	S *	9/1999	Rudy	D21/500
D414,826	S *	10/1999	Rudy	D21/504
D423,607	S *	4/2000	Rudy	D21/500
6,672,931	B1 *	1/2004	Bagley	446/106
D528,170	S	9/2006	Kim	
D532,054	S	11/2006	Kim	
7,326,100	B2 *	2/2008	O'Brien	446/97
D608,400	S *	1/2010	Ryaa	D21/500
D678,838	S	3/2013	Henrink et al.	

\* cited by examiner

*Primary Examiner* — Cynthia M Chin

(74) *Attorney, Agent, or Firm* — Adam K. Sacharoff; Much Shelist

(57) **CLAIM**

The ornamental design for a connector component for a construction kit, as shown and described.

**DESCRIPTION**

FIG. 1 is a front-top perspective view of a connector component for a construction kit in accordance with the present invention;

FIG. 2 is a rear-bottom perspective view of FIG. 1;

FIG. 3 is a top side perspective view of FIG. 1;

FIG. 4 is a bottom side view of FIG. 1;

FIG. 5 is a right side view of FIG. 1;

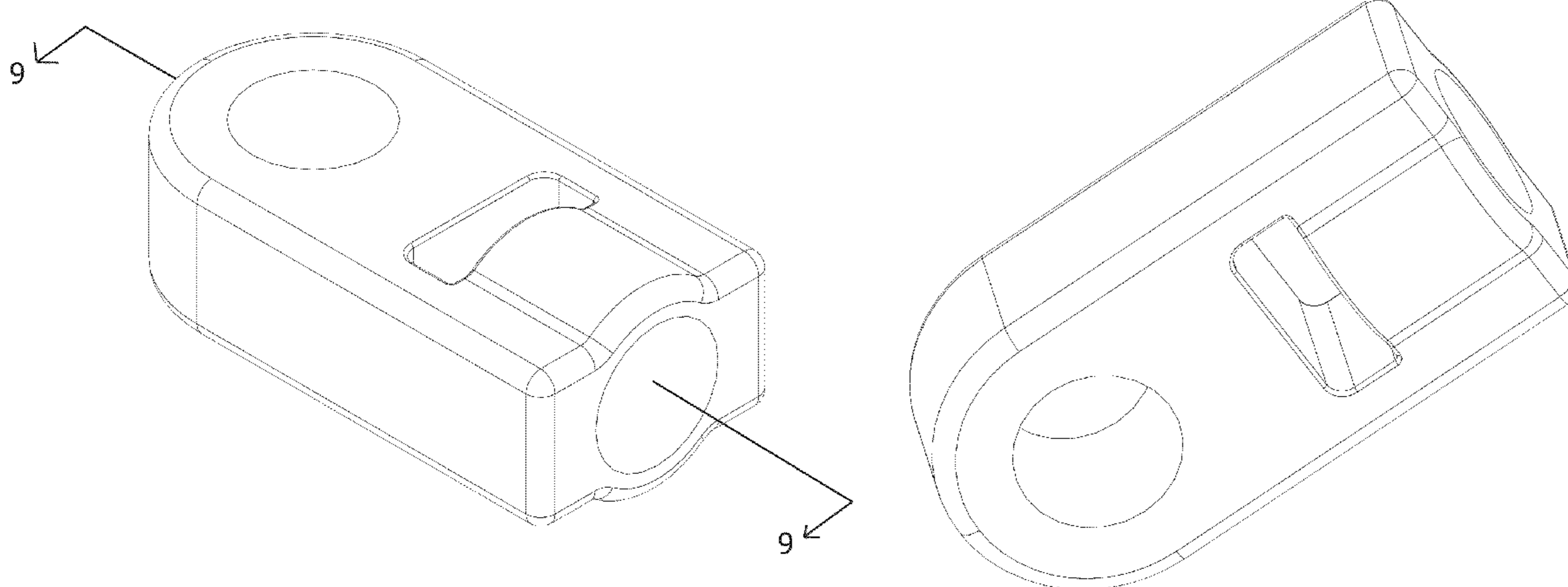
FIG. 6 is a left side view of FIG. 1;

FIG. 7 is a front side view of FIG. 1;

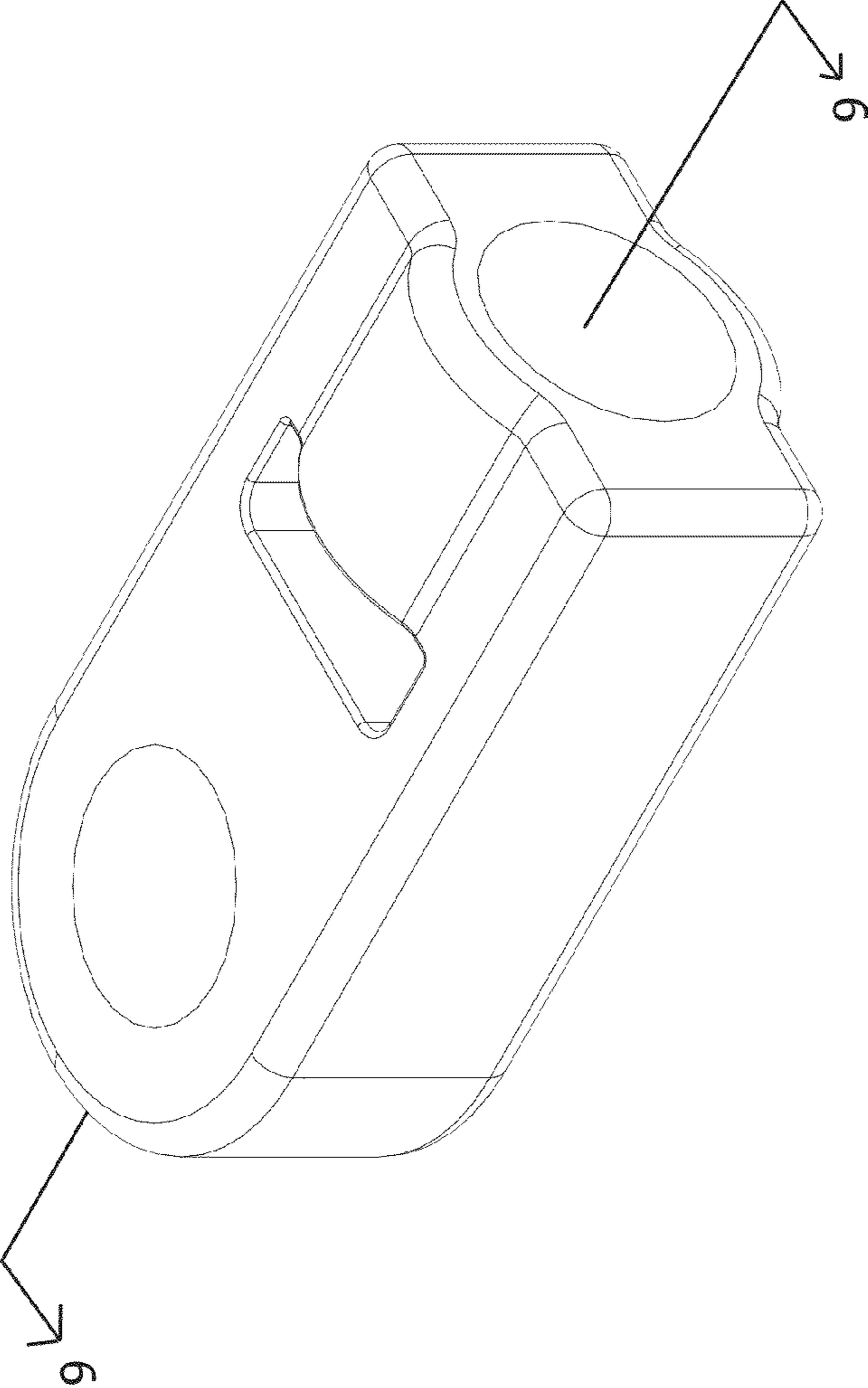
FIG. 8 is a rear side view of FIG. 1; and,

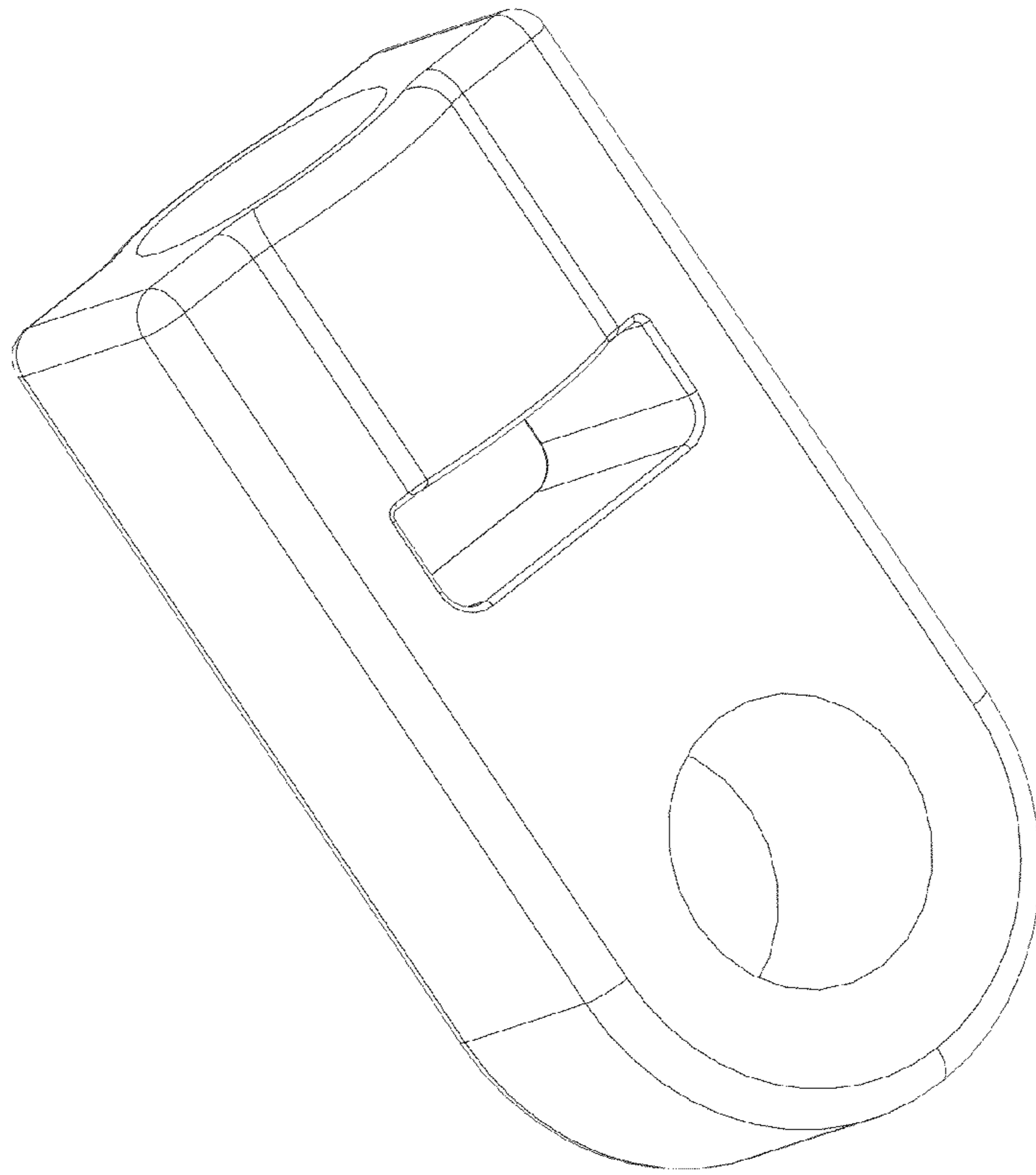
FIG. 9 is a cross-sectional view taken from line 9-9 of FIG. 1.

**1 Claim, 9 Drawing Sheets**



**FIGURE 1**





**FIGURE 2**

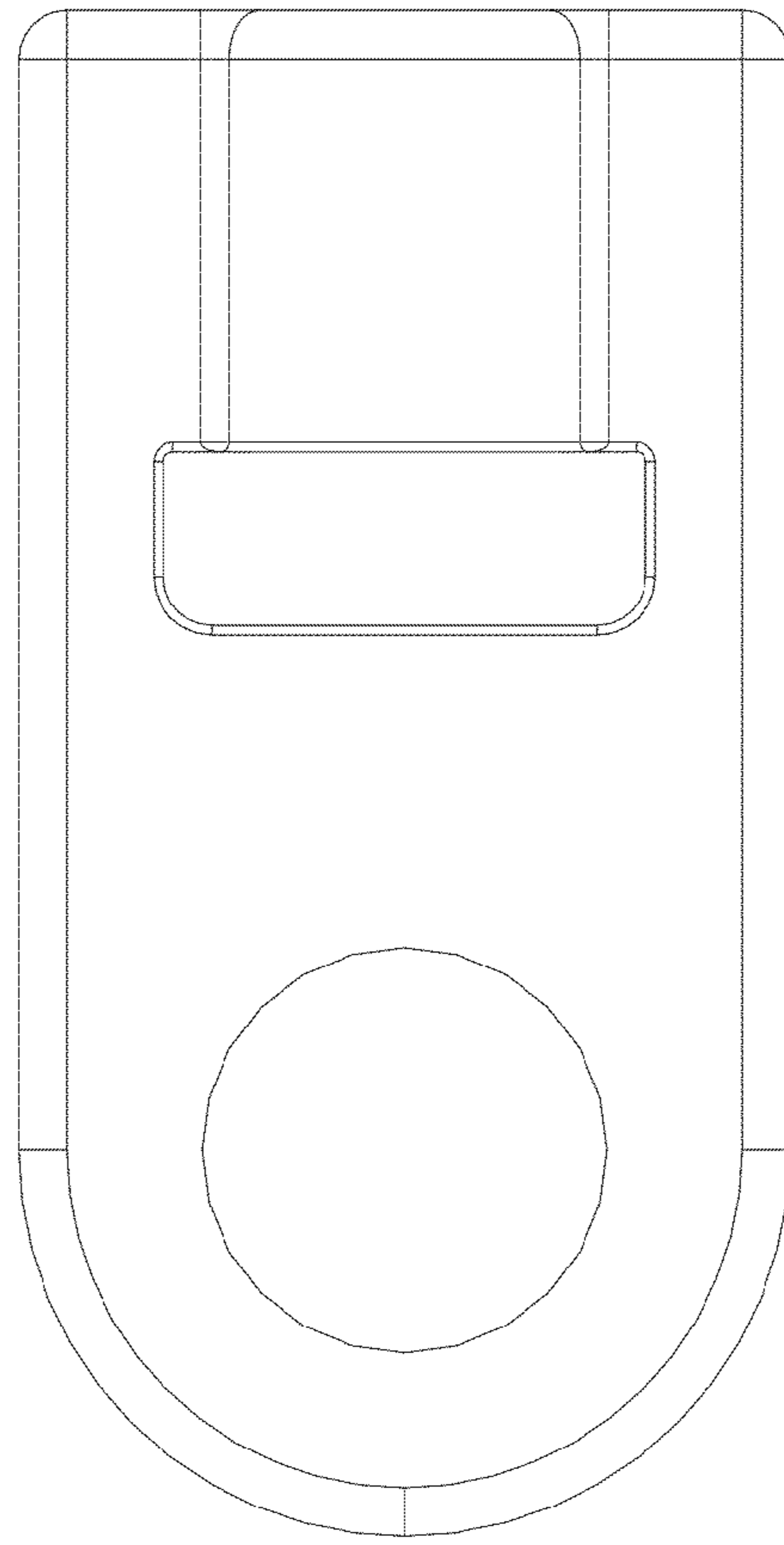
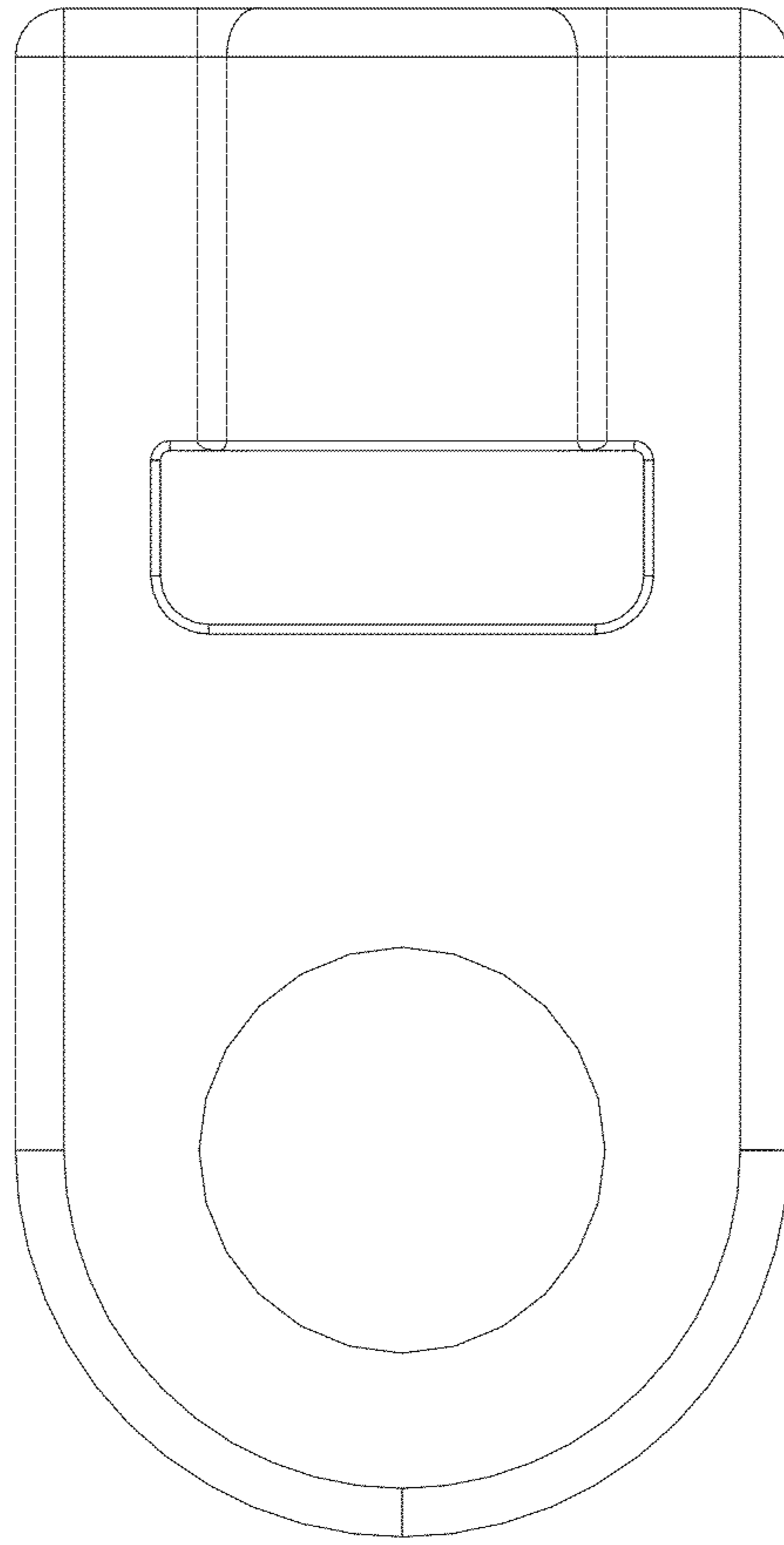
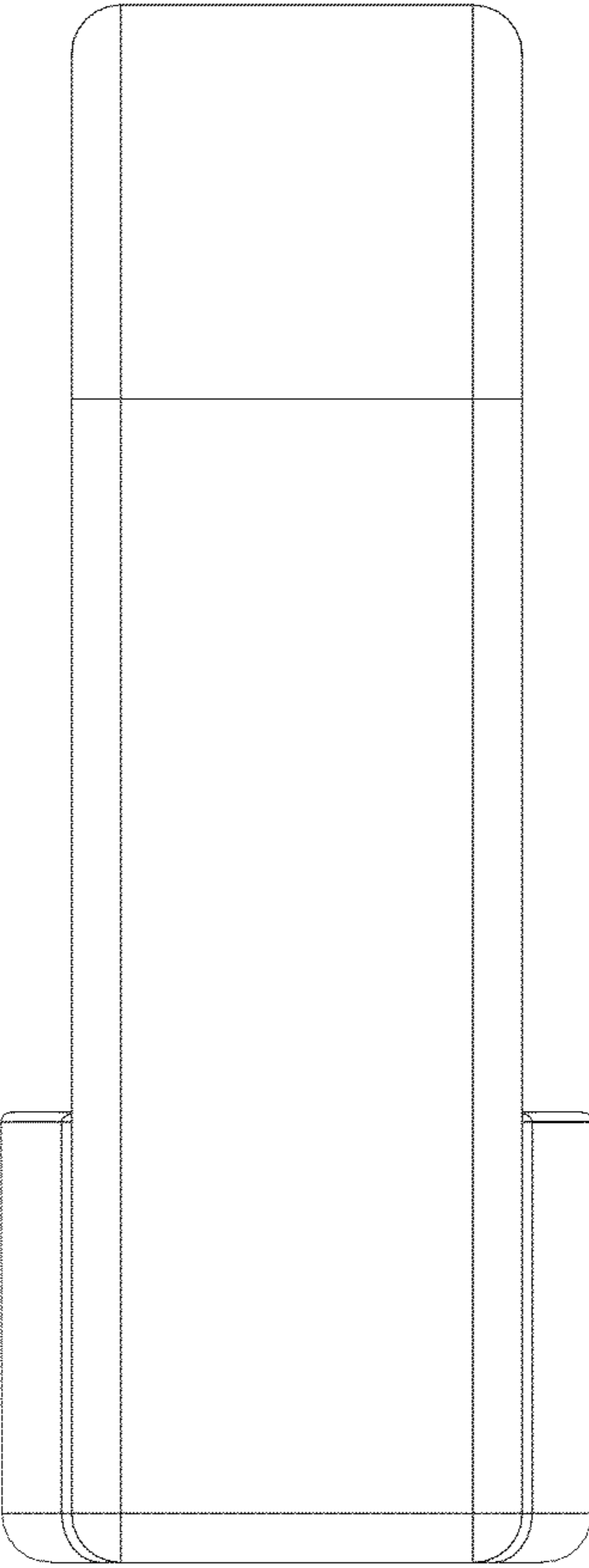


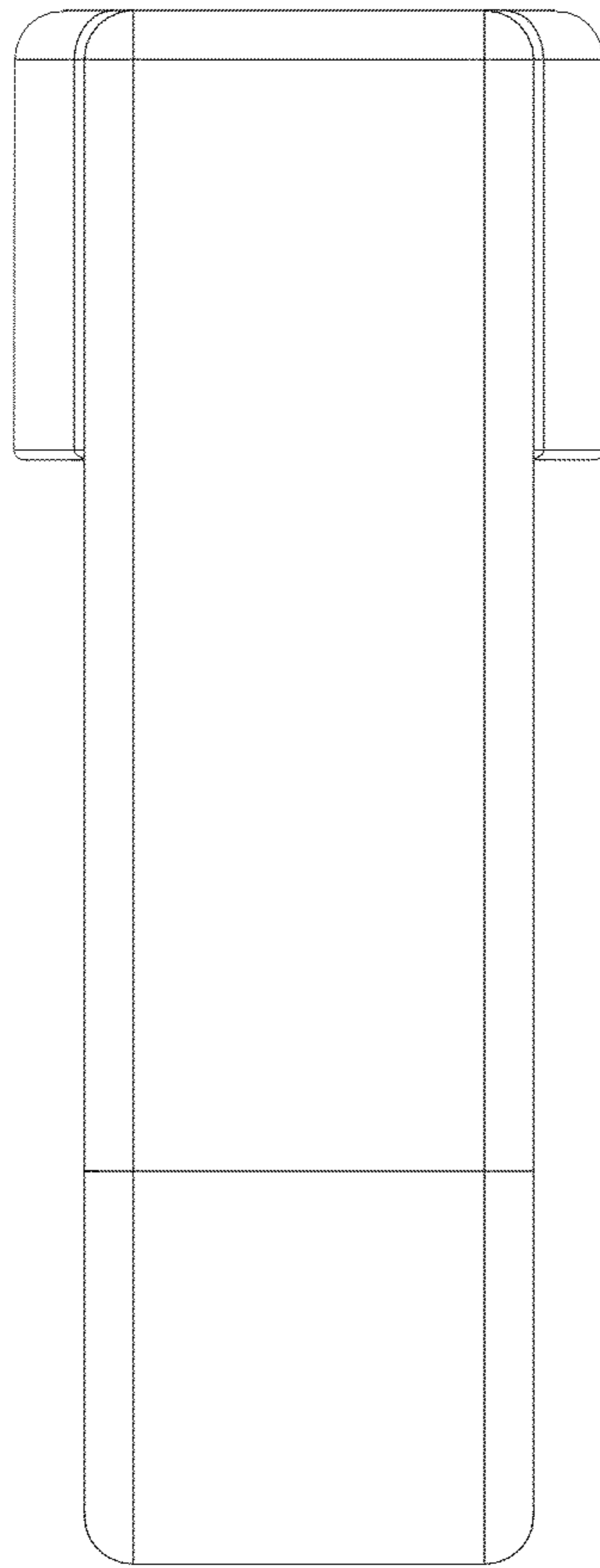
FIGURE 3



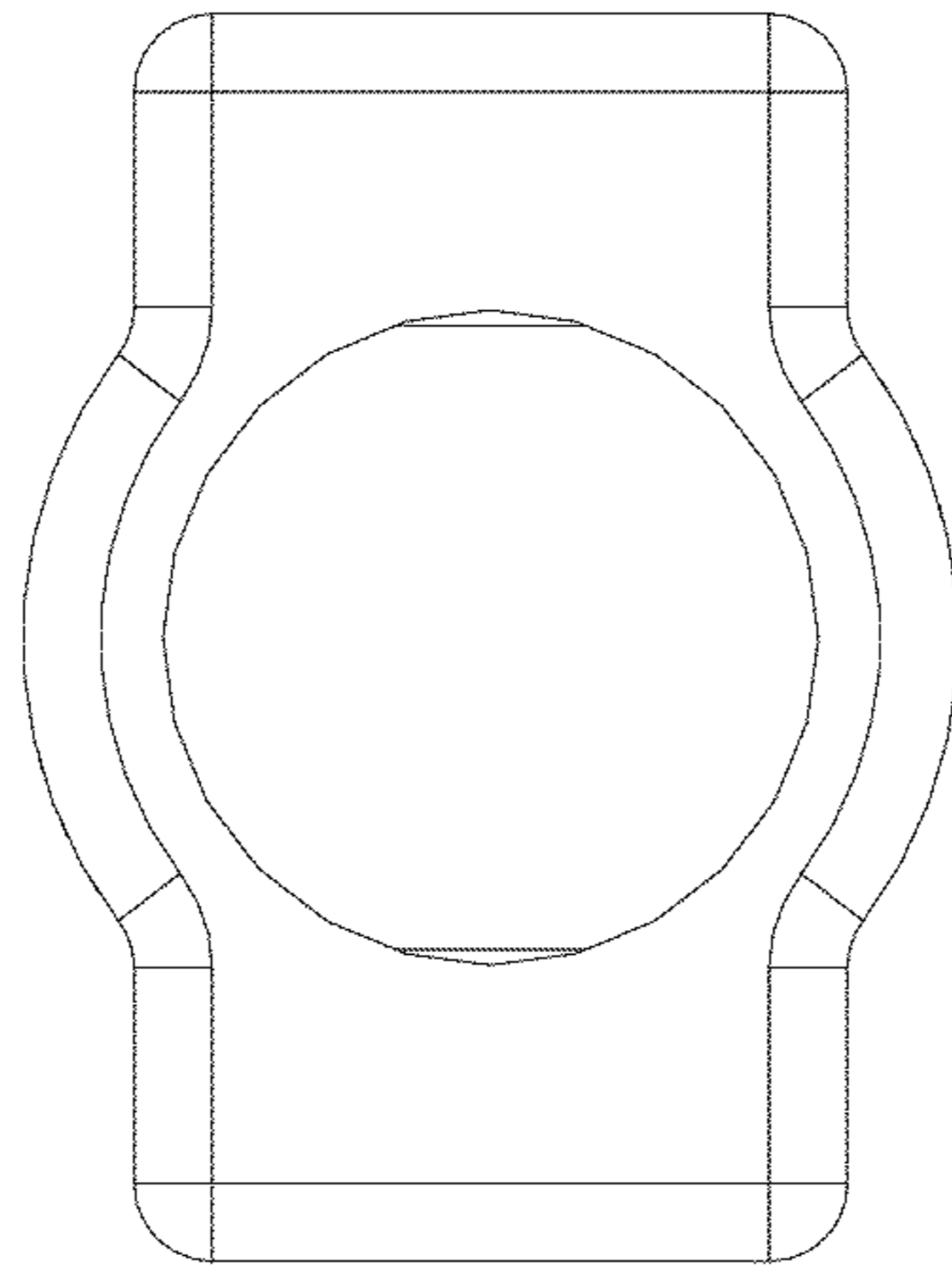
**FIGURE 4**



**FIGURE 5**

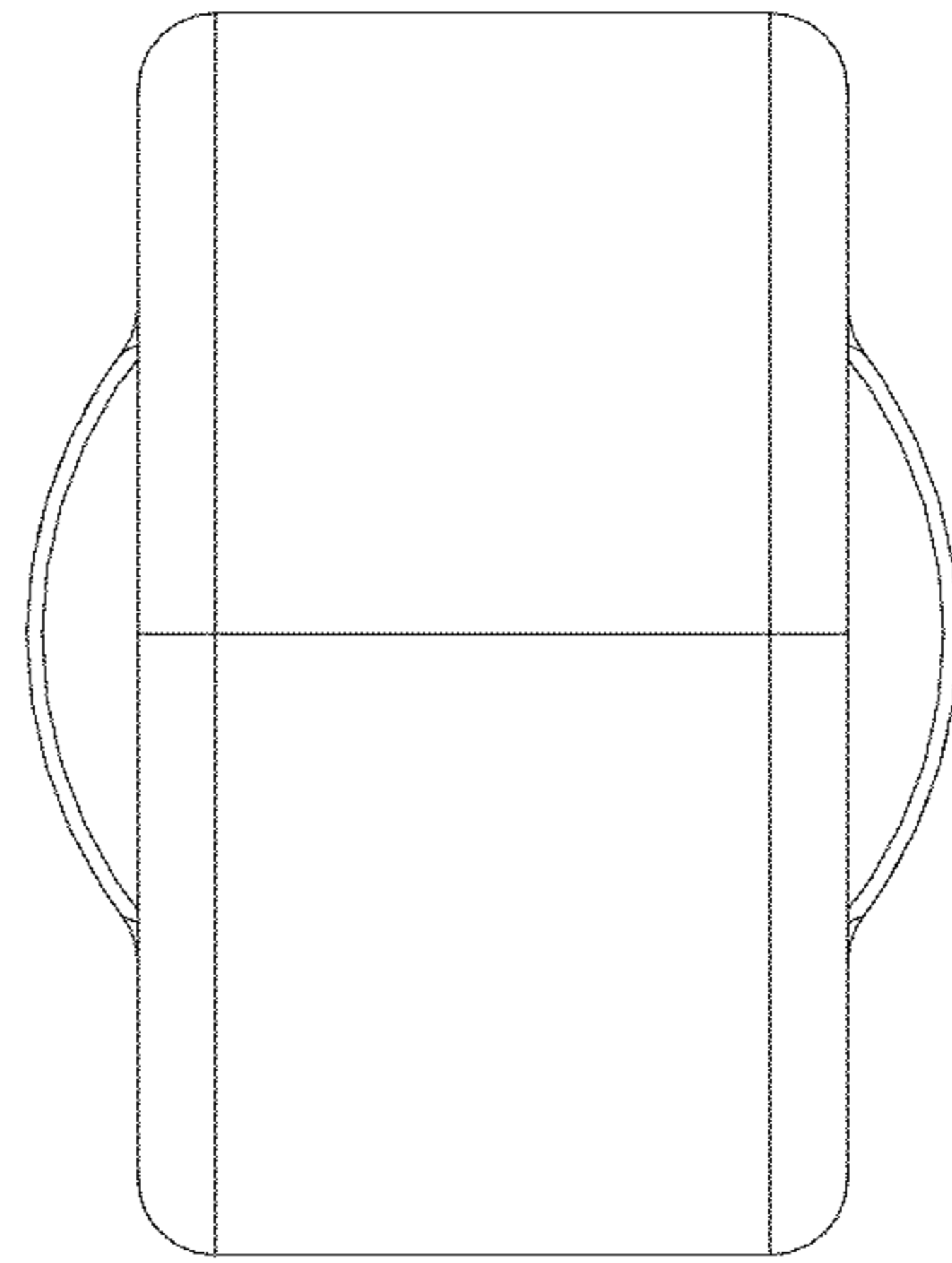


**FIGURE 6**



**FIGURE 7**





**FIGURE 8**

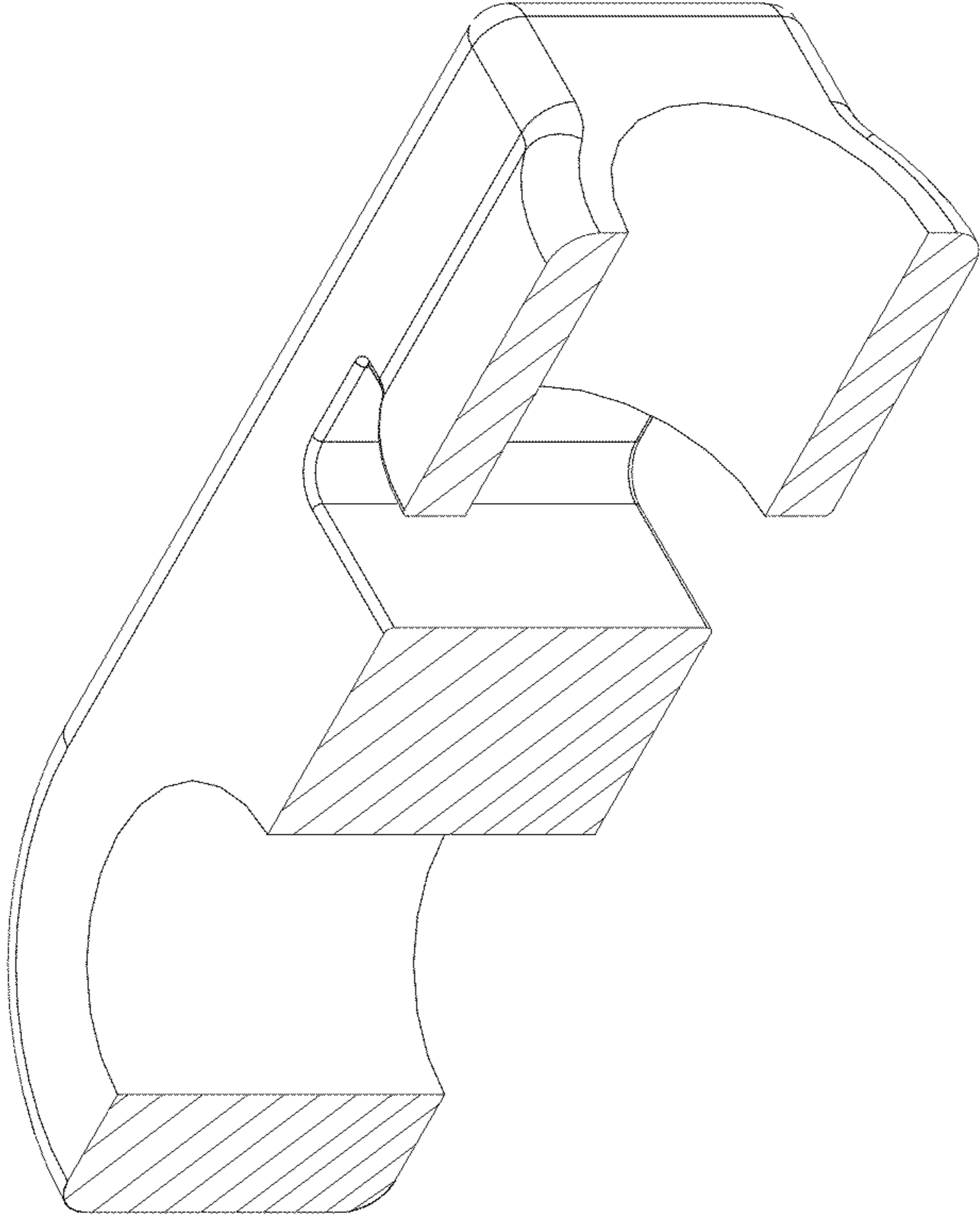


FIGURE 9