



US00D711980S

(12) **United States Design Patent**  
**Norman et al.**

(10) **Patent No.:** **US D711,980 S**

(45) **Date of Patent:** **\*\* Aug. 26, 2014**

(54) **CORNER CONNECTOR COMPONENT FOR A CONSTRUCTION KIT**

(71) Applicant: **Innovation First, Inc.**, Greenville, TX (US)

(72) Inventors: **David Anthony Norman**, Greenville, TX (US); **Robert H. Mimplitch**, Rowlett, TX (US); **Paul David Copioli**, Rockwall, TX (US); **Gregory James Lavender**, Rockwall, TX (US); **Aren Calder Hill**, Rockford, IL (US); **Douglas Michael Galletti**, Allen, TX (US); **John Edward Vielkind-Neun**, Rockwall, TX (US); **Arthur Philip Dutra**, Greenville, TX (US)

(73) Assignee: **Innovation First, Inc.**, Greenville, TX (US)

(\*\*) Term: **14 Years**

(21) Appl. No.: **29/483,274**

(22) Filed: **Feb. 27, 2014**

**Related U.S. Application Data**

(62) Division of application No. 29/451,639, filed on Apr. 5, 2013.

(51) **LOC (10) Cl.** ..... **21-01**

(52) **U.S. Cl.**  
USPC ..... **D21/503**

(58) **Field of Classification Search**  
CPC ..... A63H 33/00; A63H 33/04; A63H 33/06; A63H 33/08; A63H 33/10; A63H 33/12; A63H 33/14; A63F 9/08; A63F 9/12; G09B 1/36  
USPC ..... D21/49-495, 500-505; D8/354, 382; 446/69, 89, 92, 102-128; 434/259, 434/208, 403; 52/503; 273/153, 156, 160  
See application file for complete search history.

(56) **References Cited**

U.S. PATENT DOCUMENTS

D233,680 S \* 11/1974 Christiansen ..... D21/488  
5,049,104 A \* 9/1991 Olsen ..... 446/104

(Continued)

*Primary Examiner* — Cynthia M Chin

(74) *Attorney, Agent, or Firm* — Adam K. Sacharoff; Much Shelist

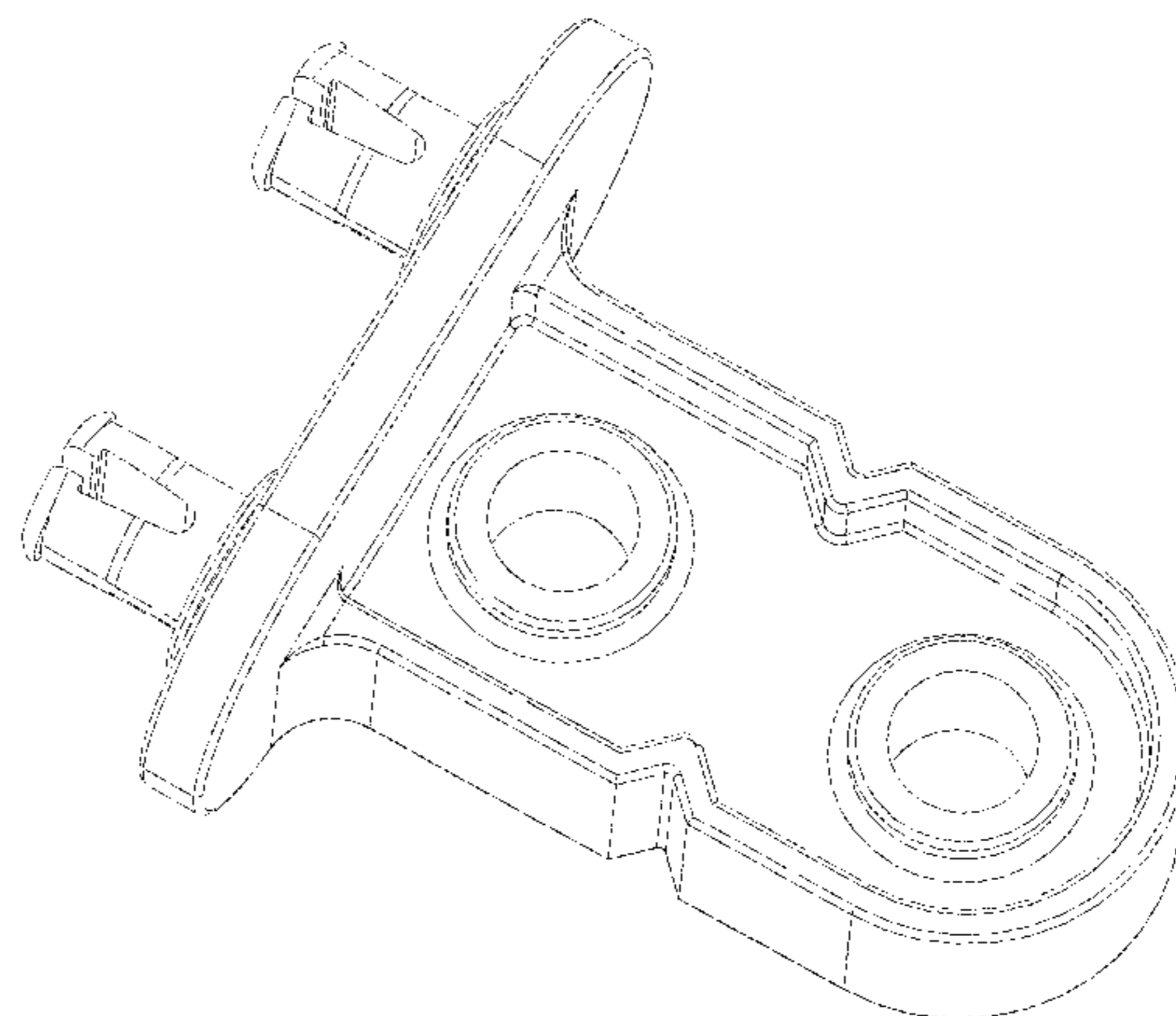
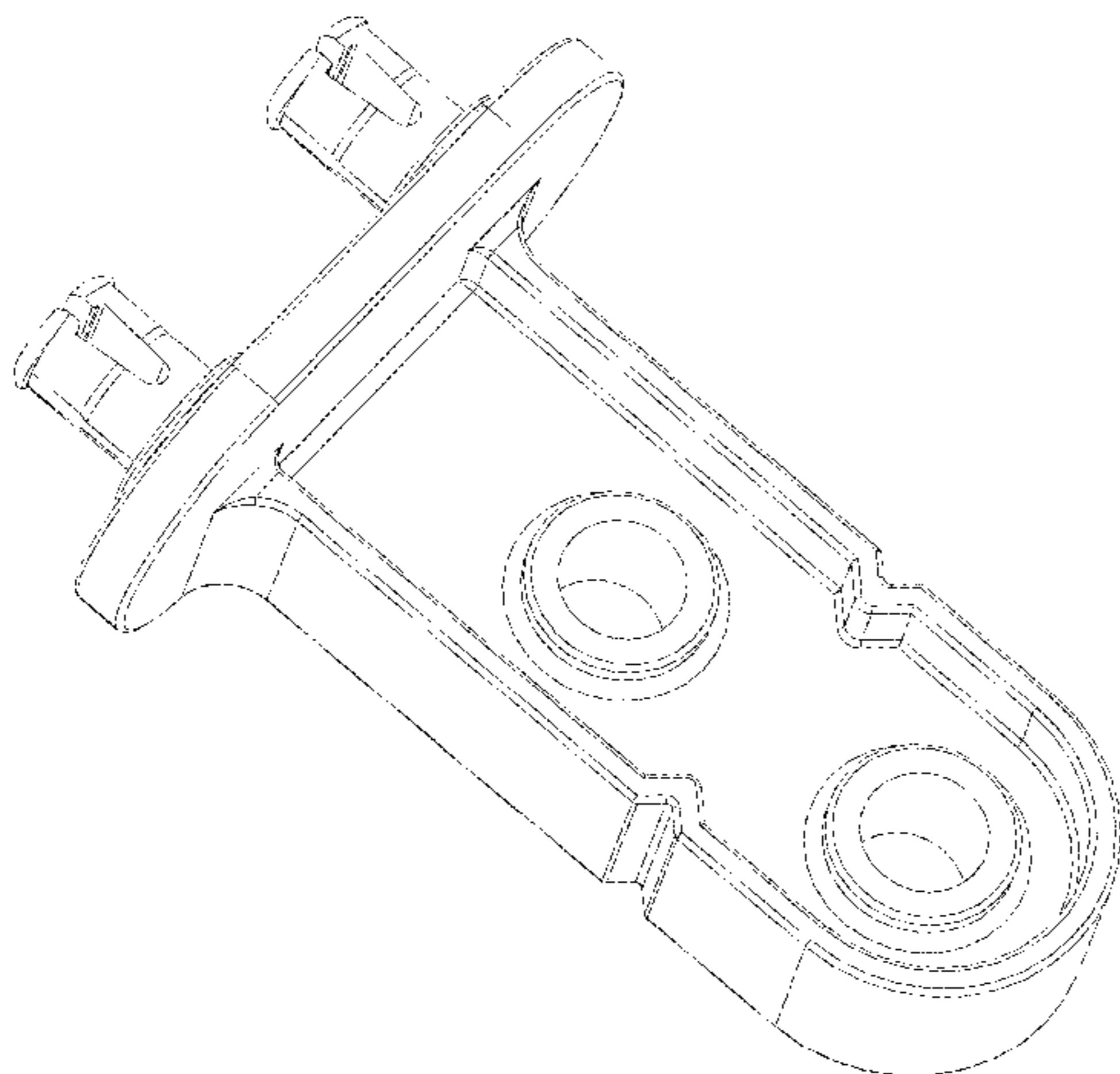
(57) **CLAIM**

The ornamental design for a corner connector component for a construction kit, as shown and described.

**DESCRIPTION**

FIG. 1 is a front perspective view of a corner connector component for a construction kit in accordance with an embodiment of the invention;  
FIG. 2 is a bottom rear perspective view of FIG. 1;  
FIG. 3 is a top rear perspective view of FIG. 1;  
FIG. 4 is a top side view of FIG. 1;  
FIG. 5 is a bottom side view of FIG. 1;  
FIG. 6 is a right side view of FIG. 1;  
FIG. 7 is a left side view of FIG. 1;  
FIG. 8 is a front side view of FIG. 1;  
FIG. 9 is a rear side view of FIG. 1;  
FIG. 10 is a front perspective view of a corner connector component for a construction kit in accordance with a 2nd embodiment of the invention;  
FIG. 11 is a bottom rear perspective view of FIG. 10;  
FIG. 12 is a top rear perspective view of FIG. 10;  
FIG. 13 is a top side view of FIG. 10;  
FIG. 14 is a bottom side view of FIG. 10;  
FIG. 15 is a right side view of FIG. 10;  
FIG. 16 is a left side view of FIG. 10;  
FIG. 17 is a front side view of FIG. 10; and,  
FIG. 18 is a rear side view of FIG. 10.

**1 Claim, 18 Drawing Sheets**



(56)

**References Cited**

U.S. PATENT DOCUMENTS

5,172,534 A \* 12/1992 Milner et al. .... 446/120  
D334,601 S \* 4/1993 Olsen ..... D21/502  
D340,749 S \* 10/1993 Lyman ..... D21/503  
5,304,086 A \* 4/1994 Bolli et al. .... 446/108  
D360,000 S 7/1995 Hatting et al.  
D362,473 S 9/1995 Lyman et al.

D369,838 S \* 5/1996 Hatting et al. .... D21/501  
D415,217 S \* 10/1999 Rudy ..... D21/503  
D510,753 S 10/2005 Paterson  
D516,135 S 2/2006 Kim  
D516,635 S \* 3/2006 Kim ..... D21/503  
D517,128 S 3/2006 Kim  
D517,616 S 3/2006 Kim  
D546,900 S \* 7/2007 Sorensen ..... D21/484  
D573,202 S 7/2008 Chun

\* cited by examiner

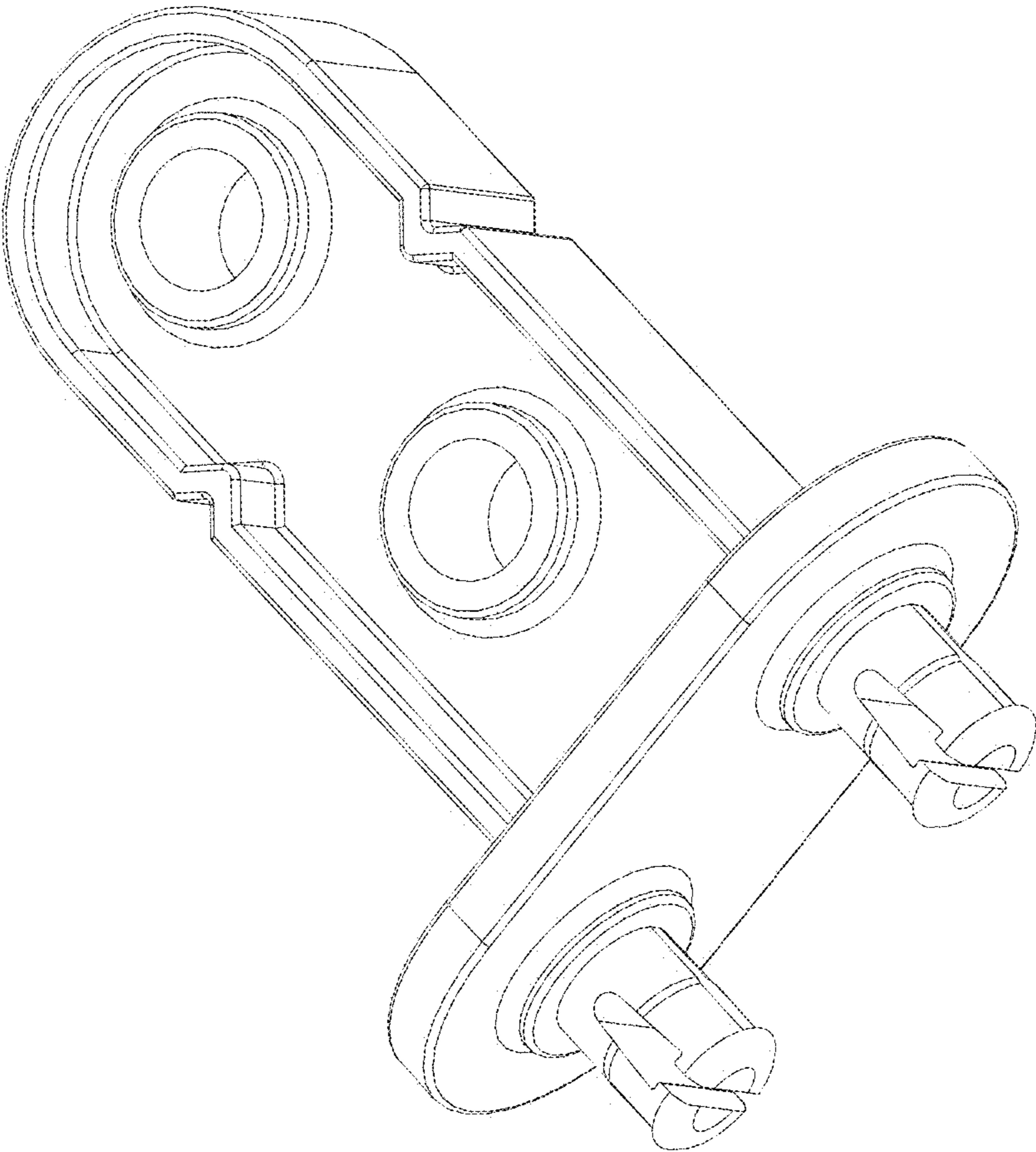
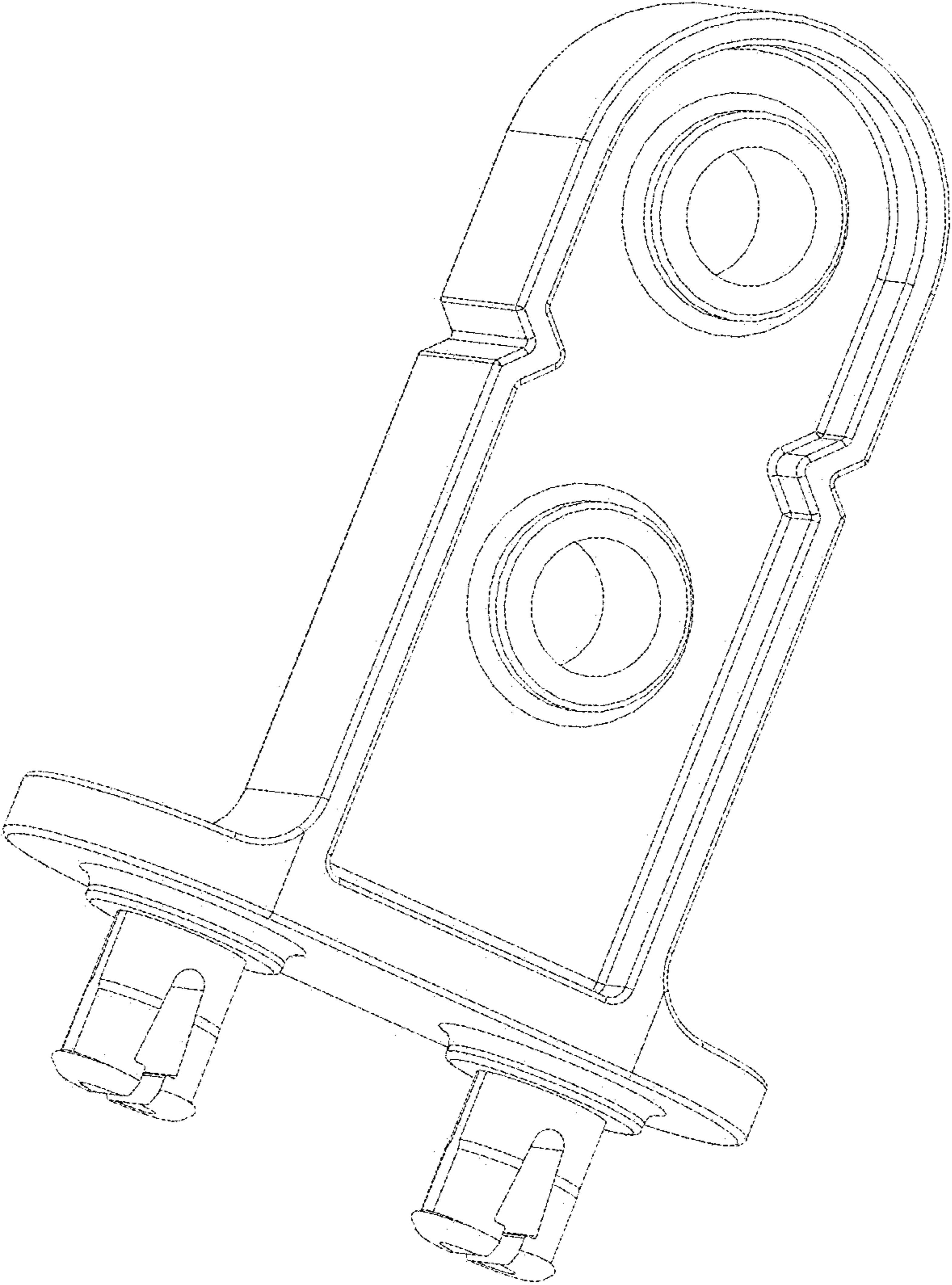
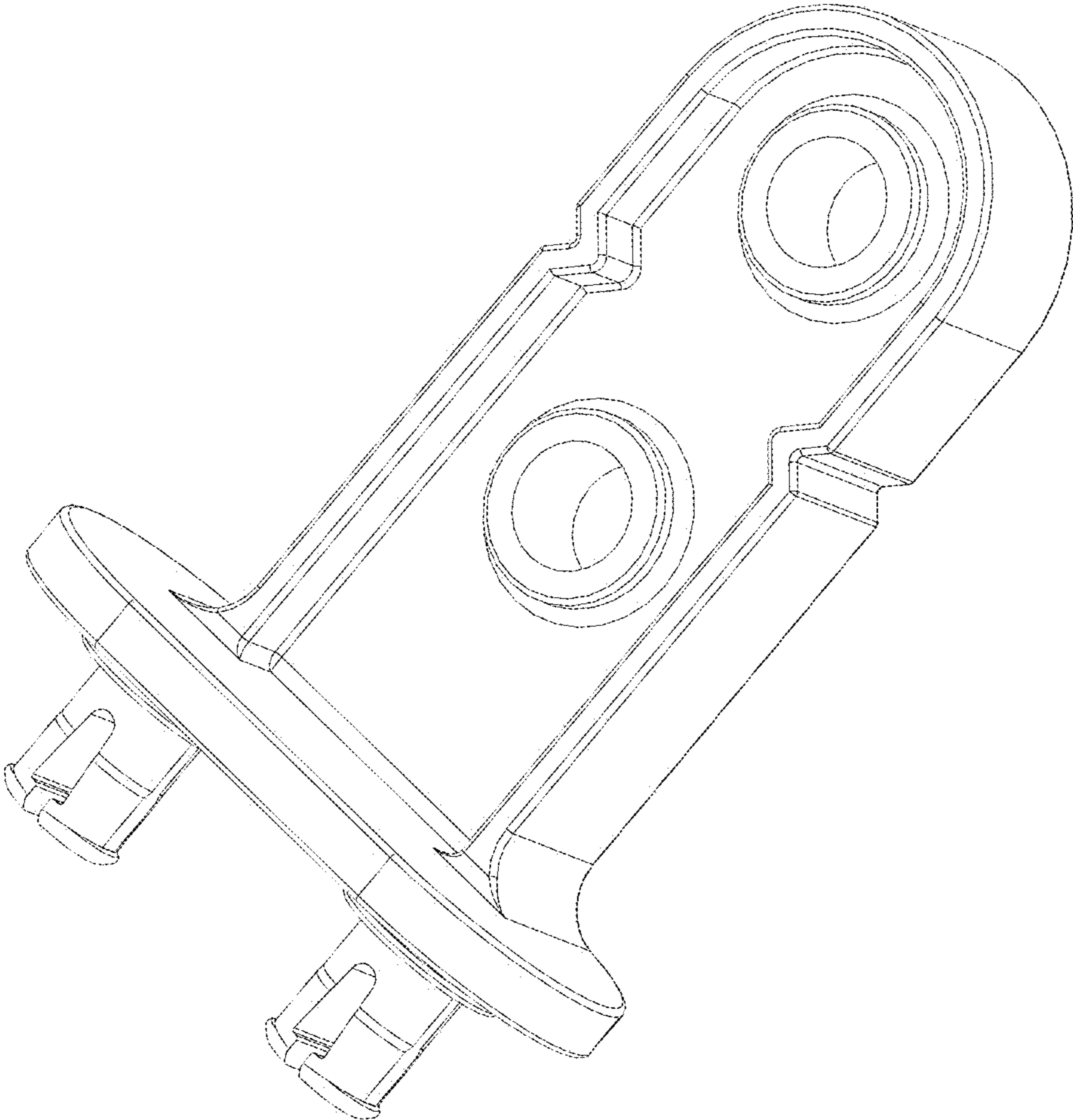


FIGURE 1



**FIGURE 2**





**FIGURE 3**

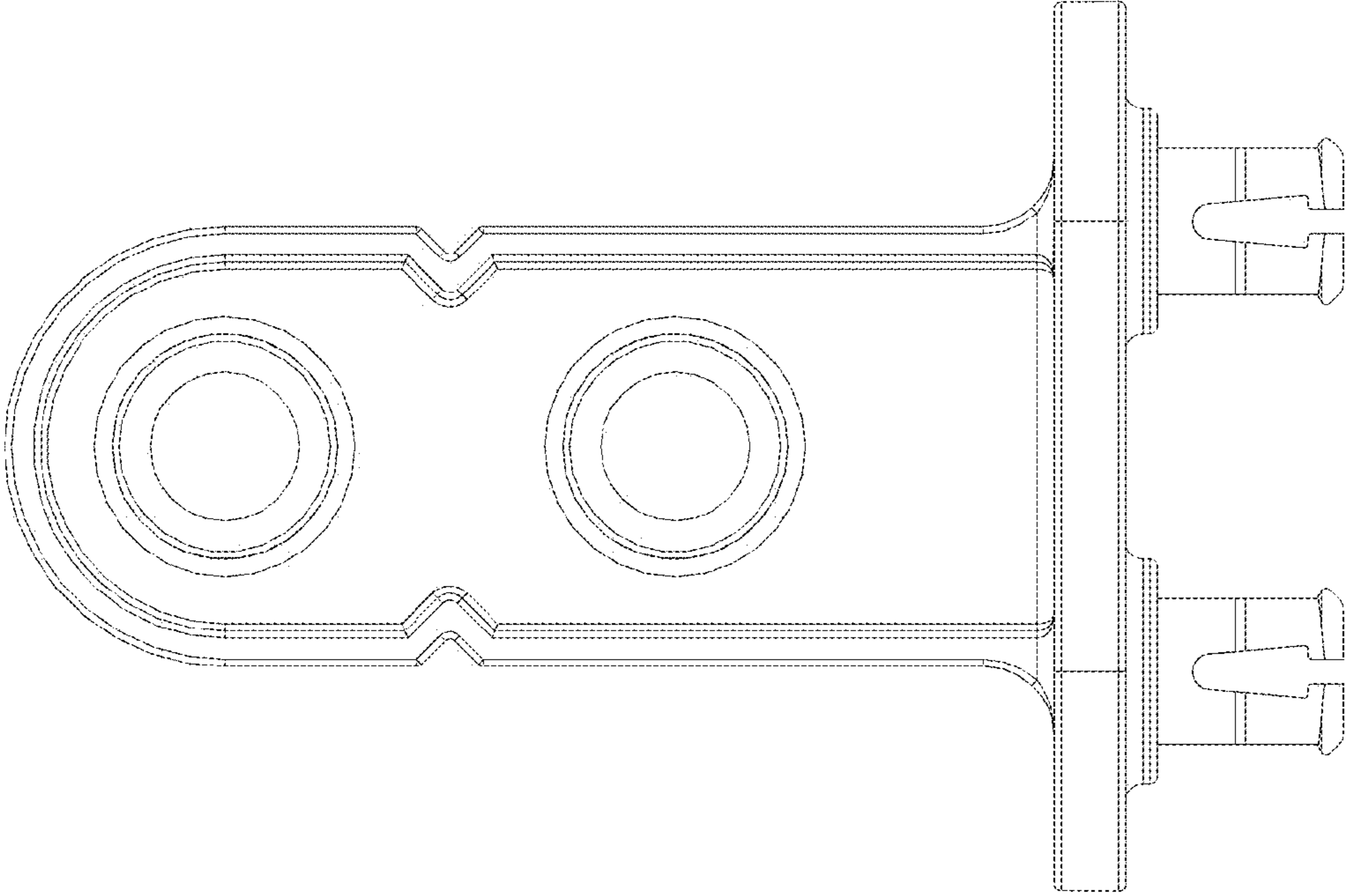


FIGURE 4

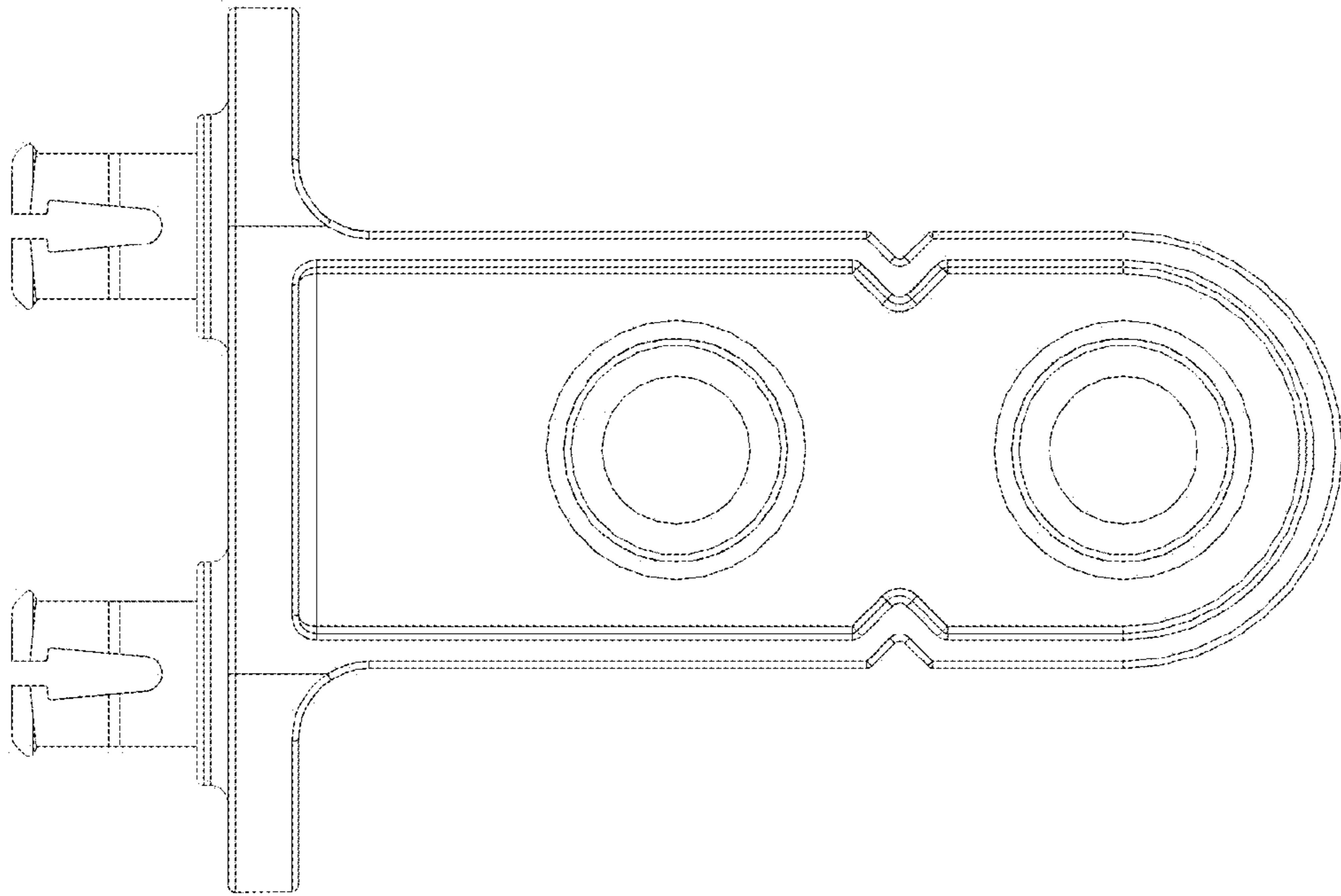
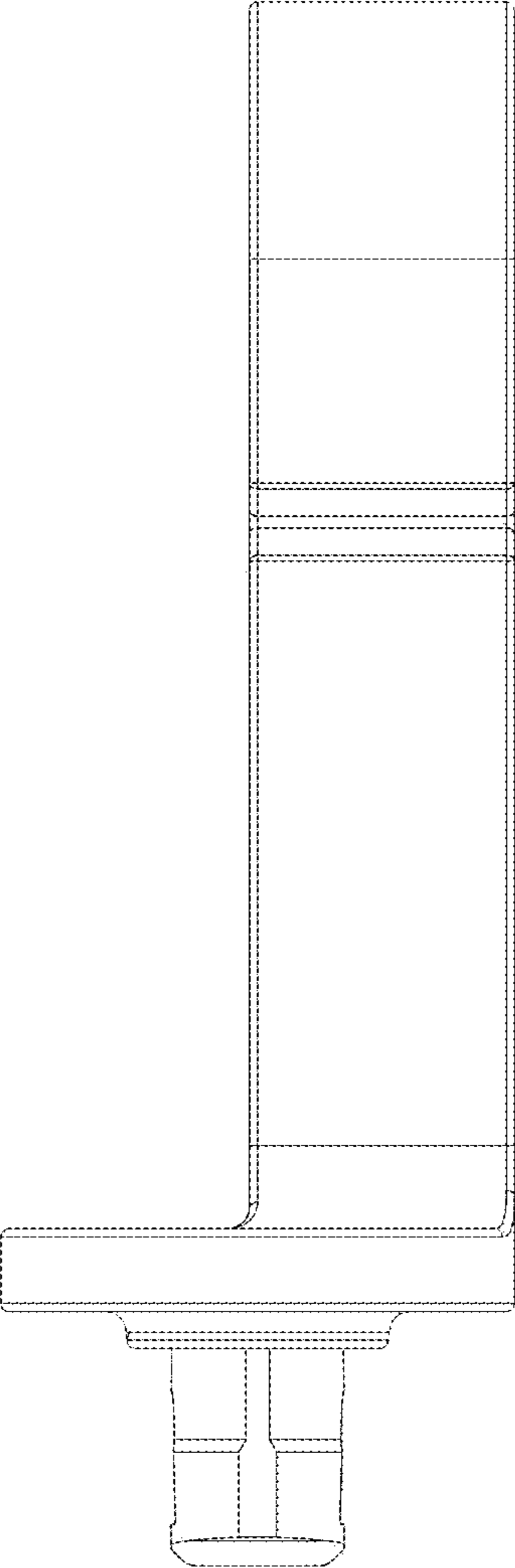
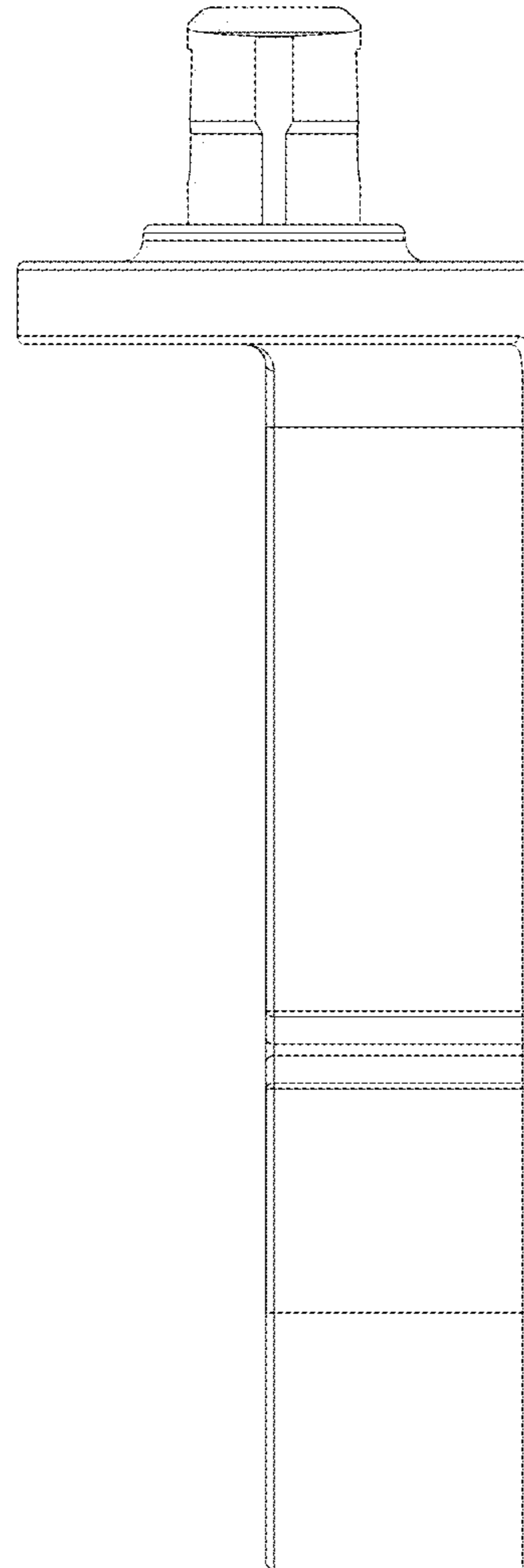


FIGURE 5



**FIGURE 6**





**FIGURE 7**

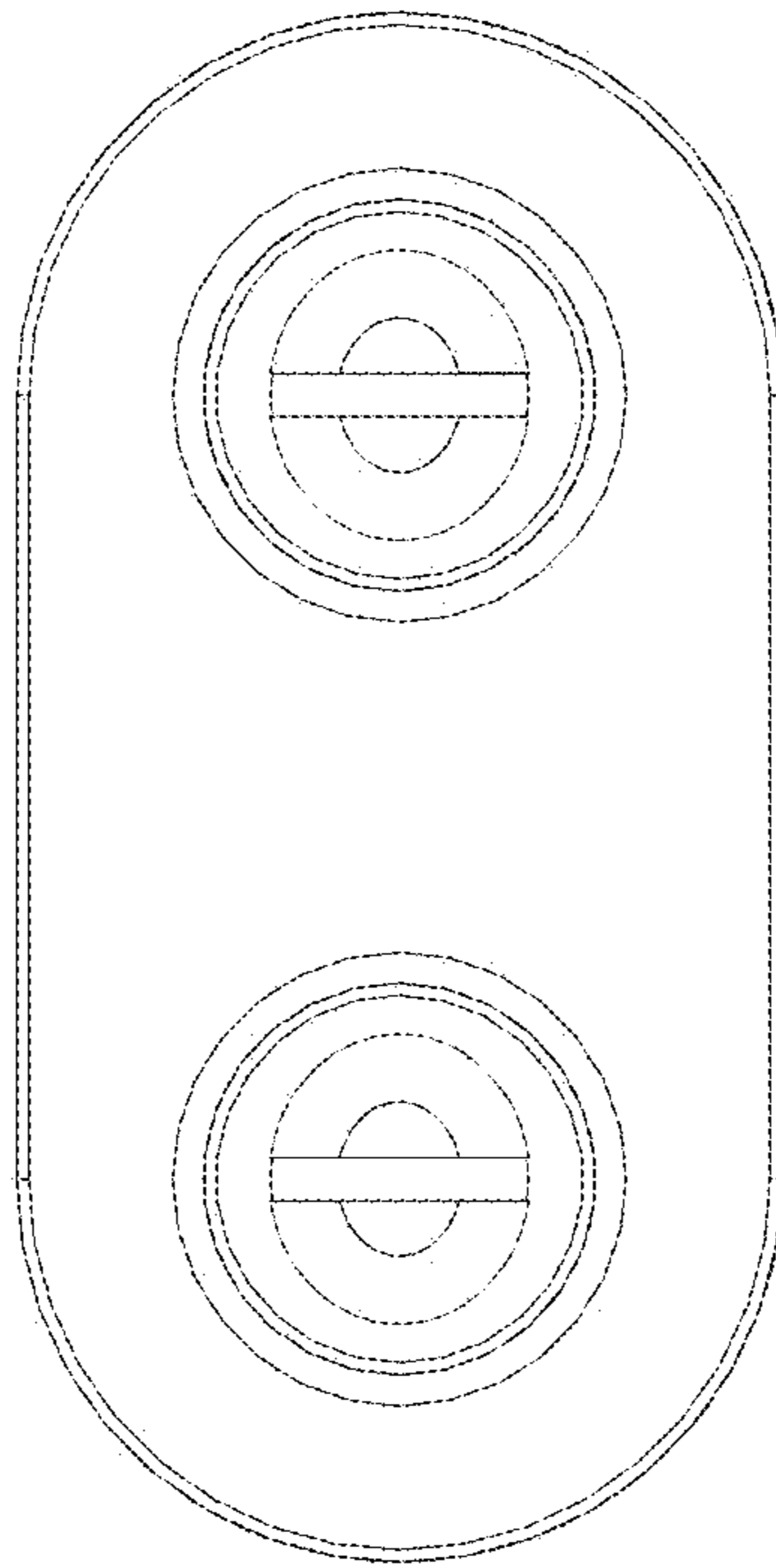


FIGURE 8

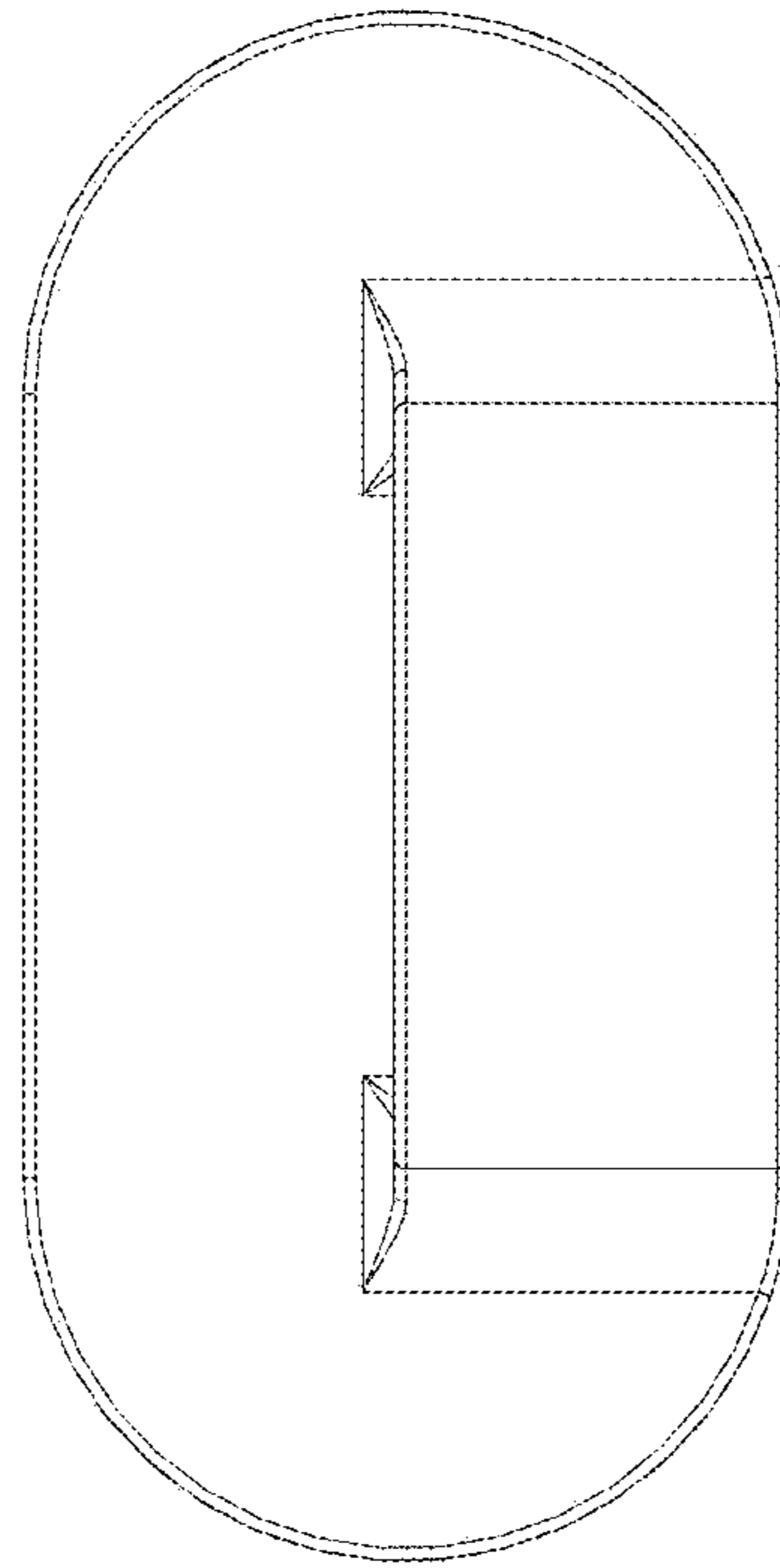


FIGURE 9

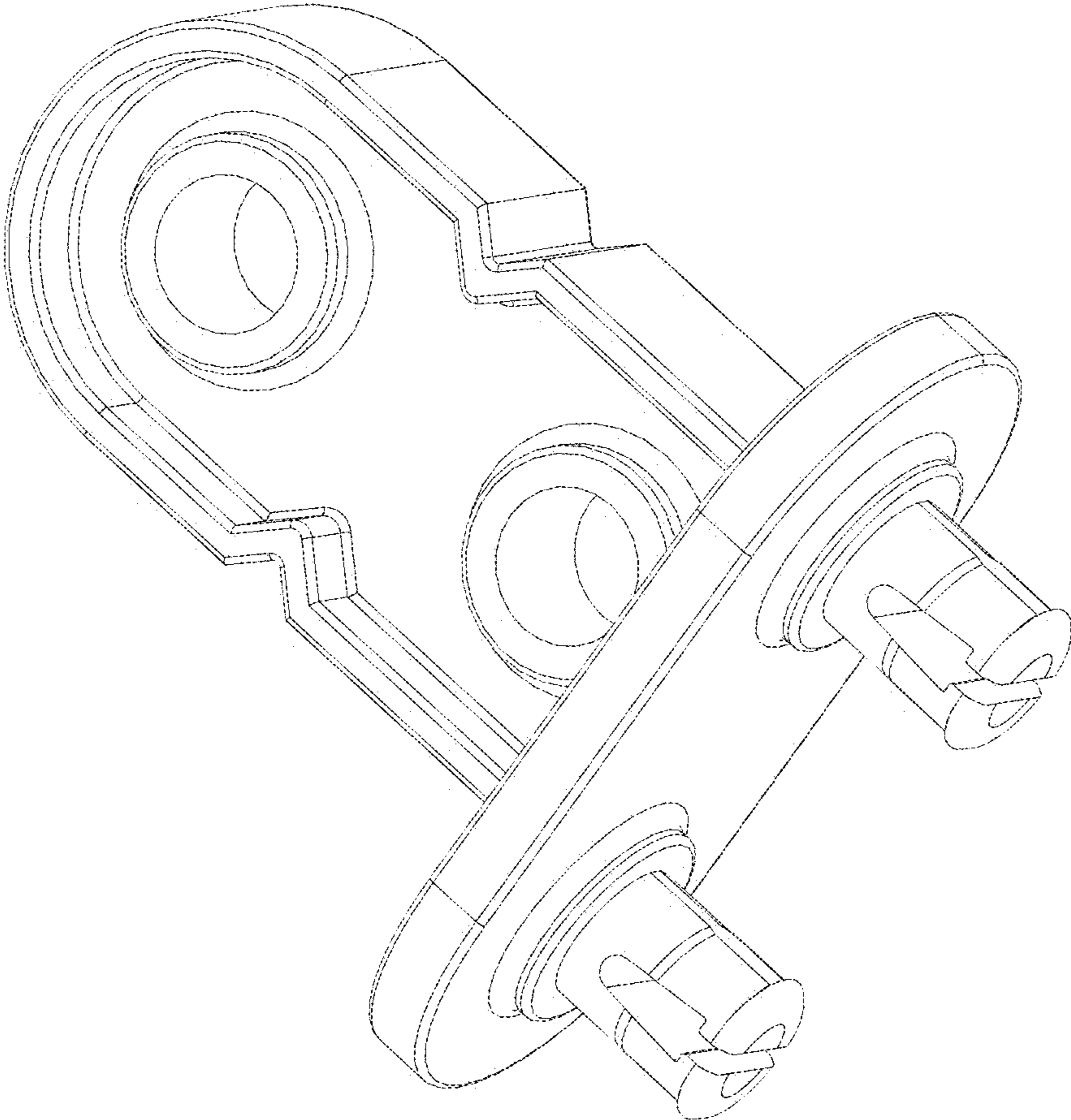


FIGURE 10

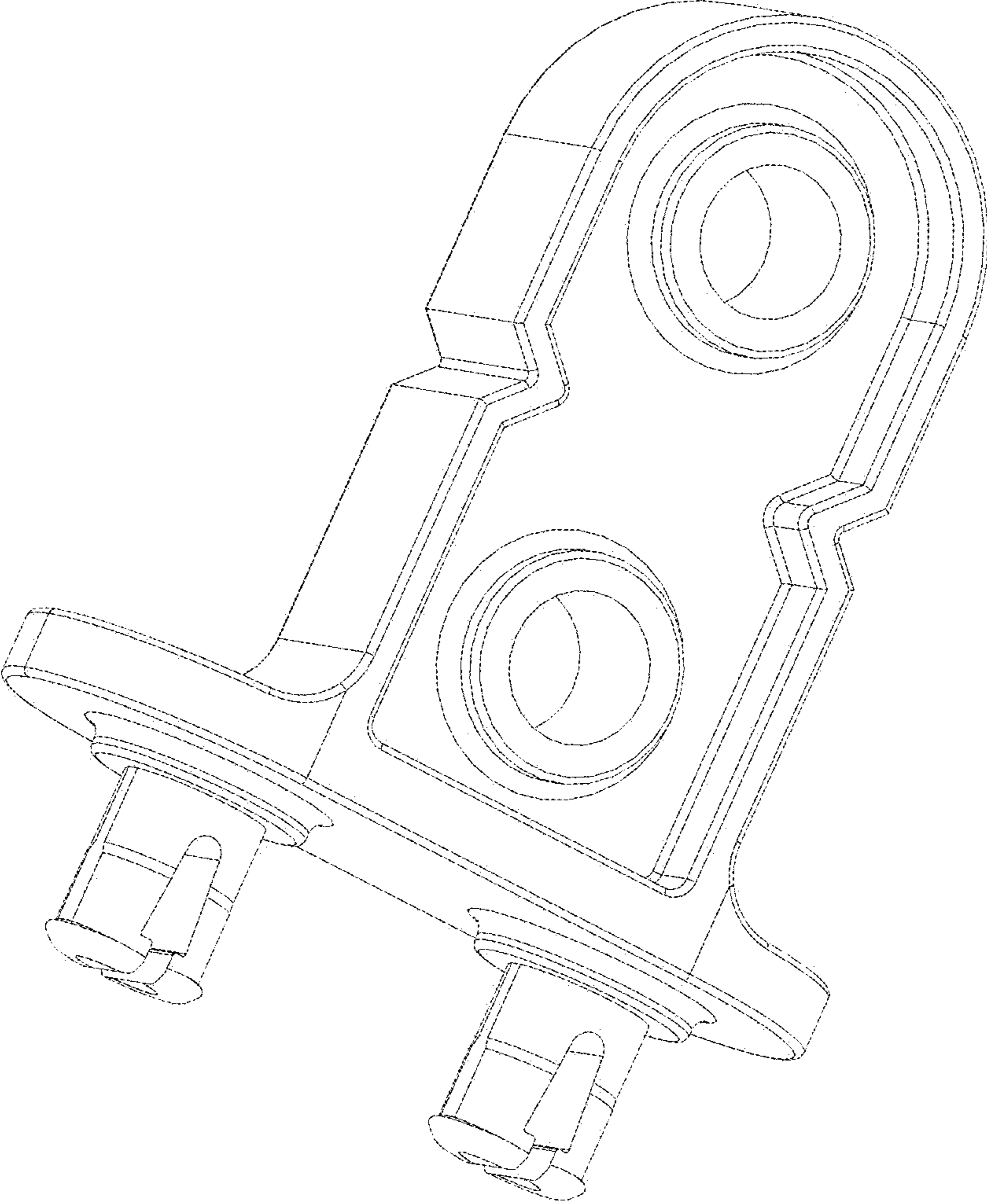
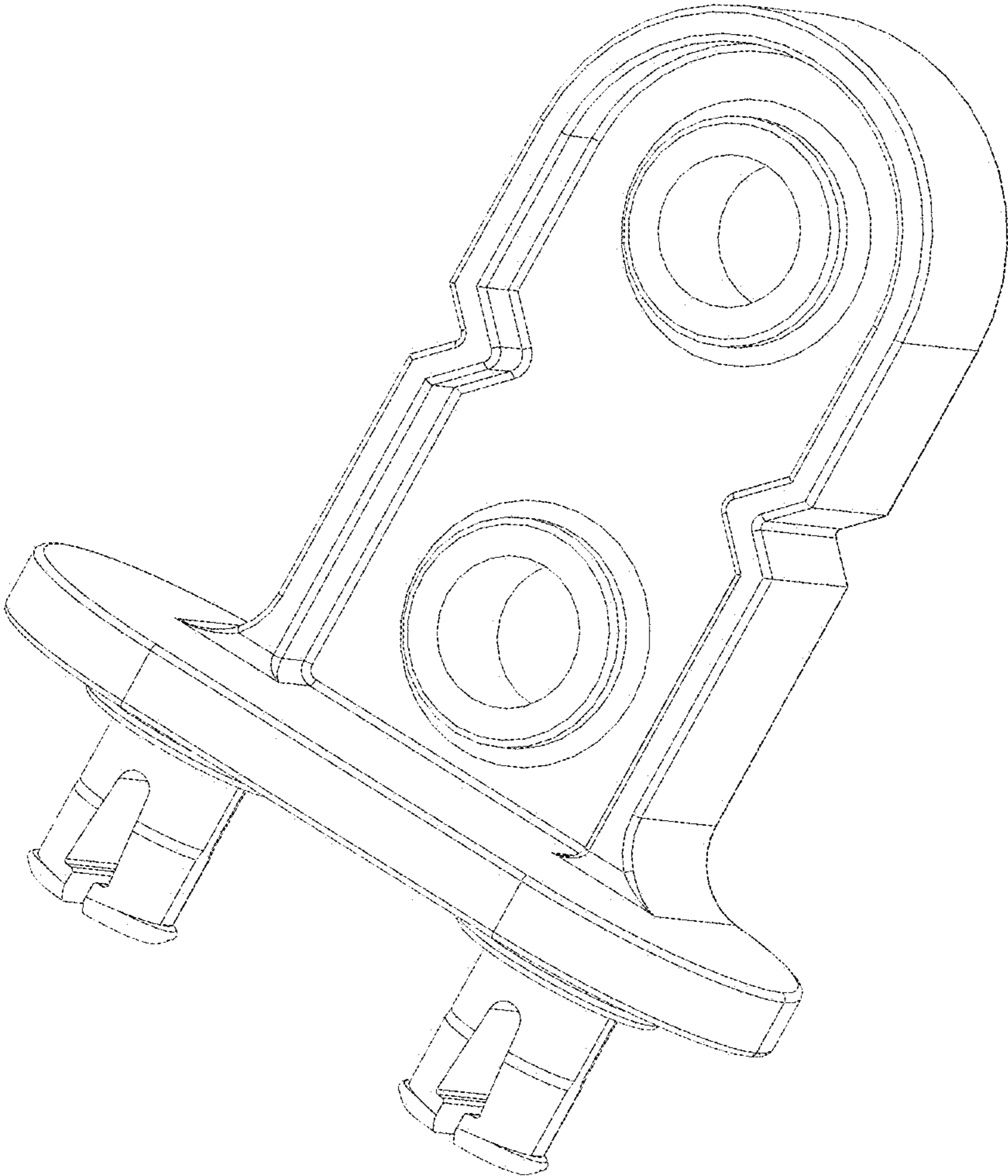


FIGURE 11





**FIGURE 12**

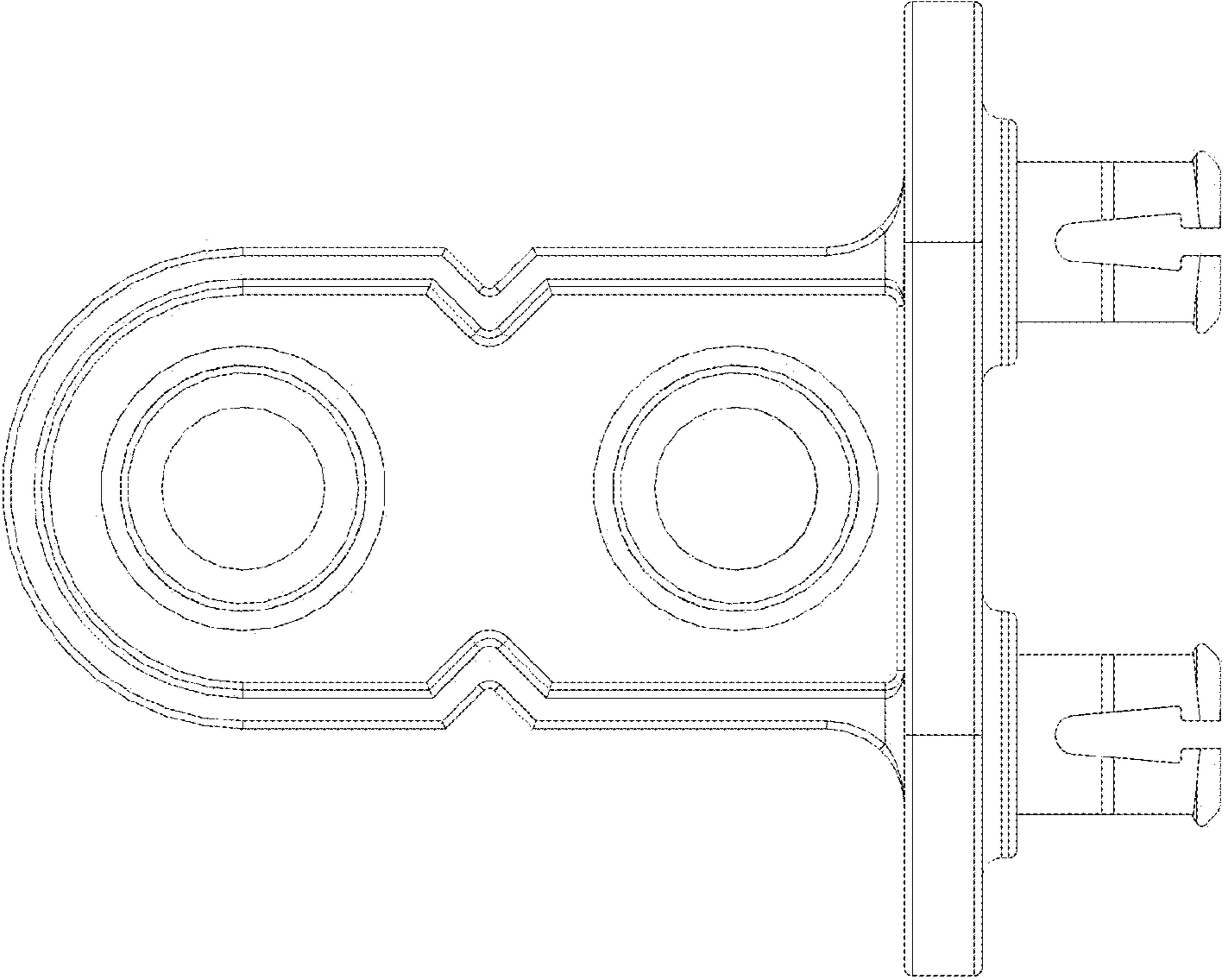


FIGURE 13

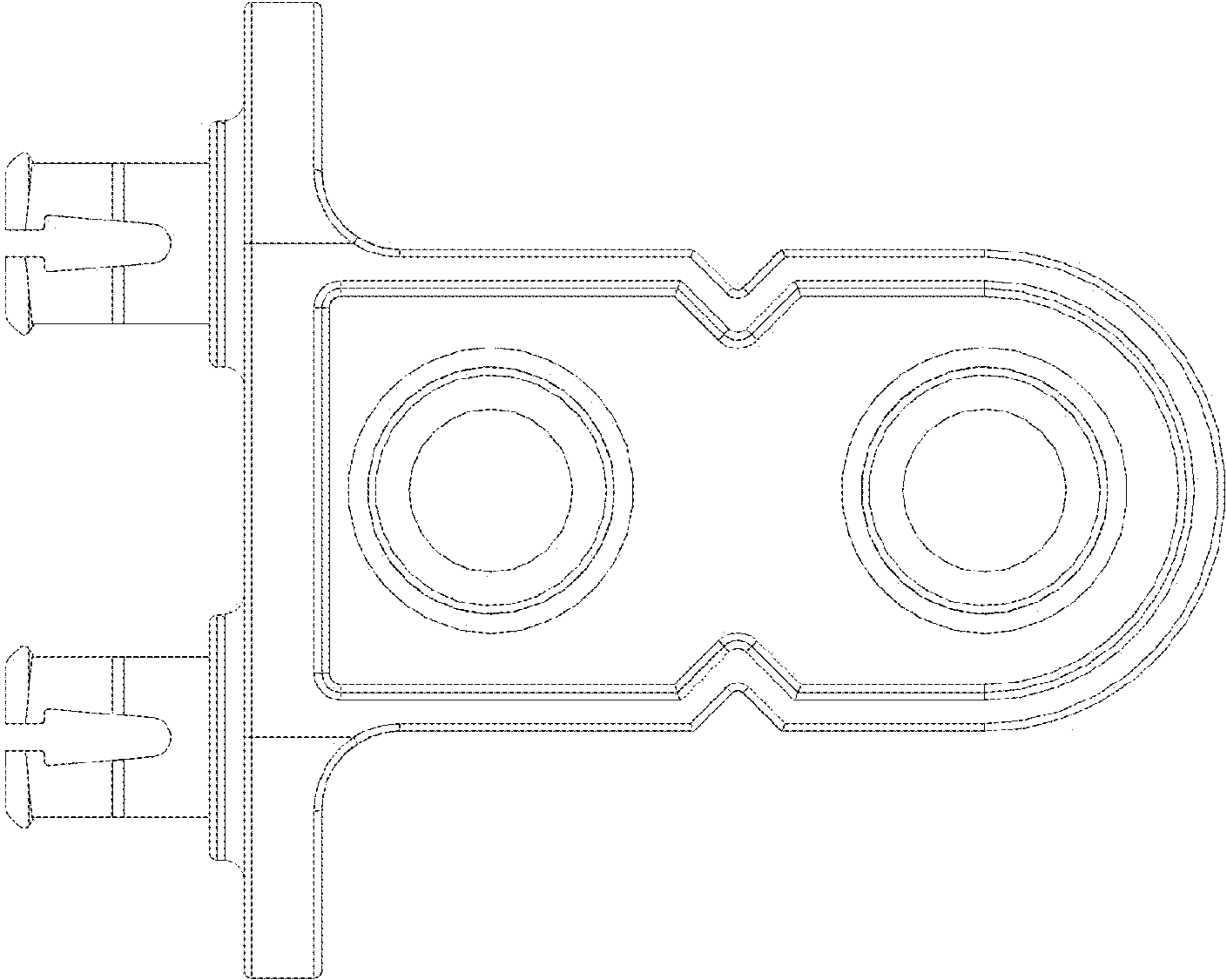


FIGURE 14

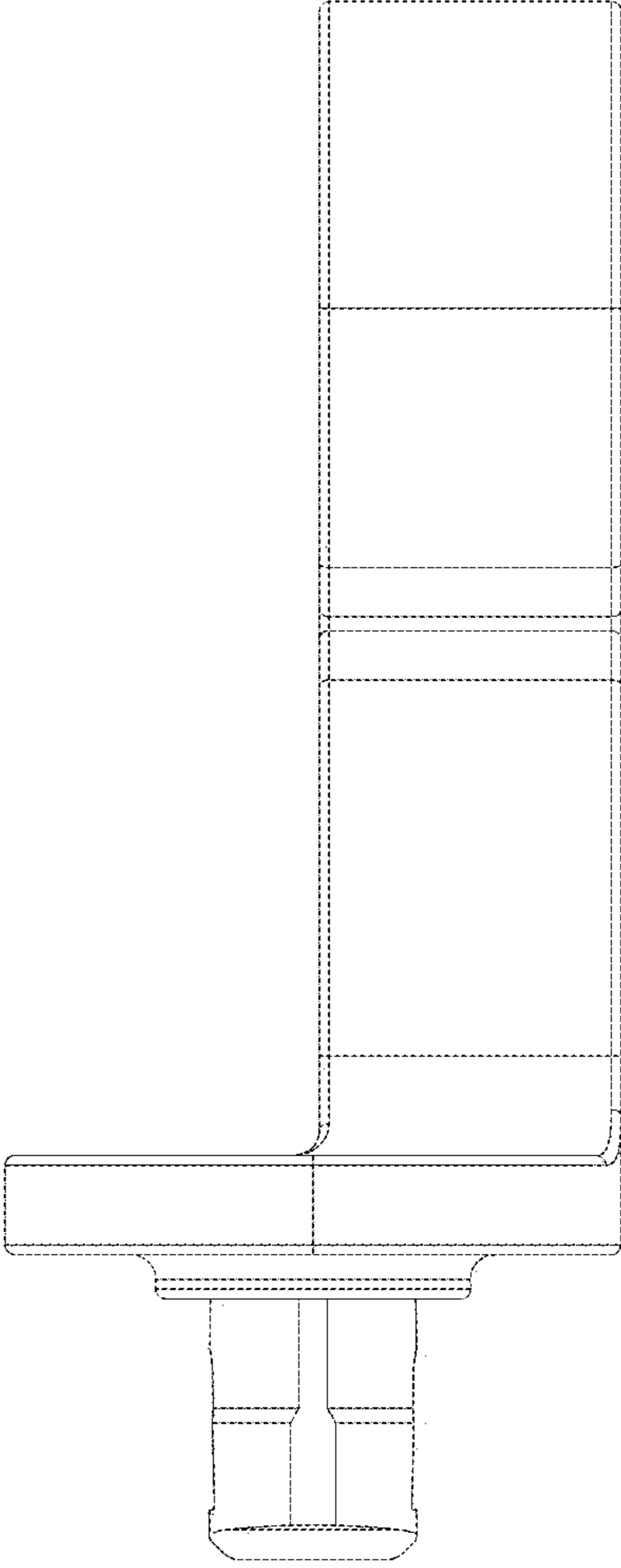


FIGURE 15

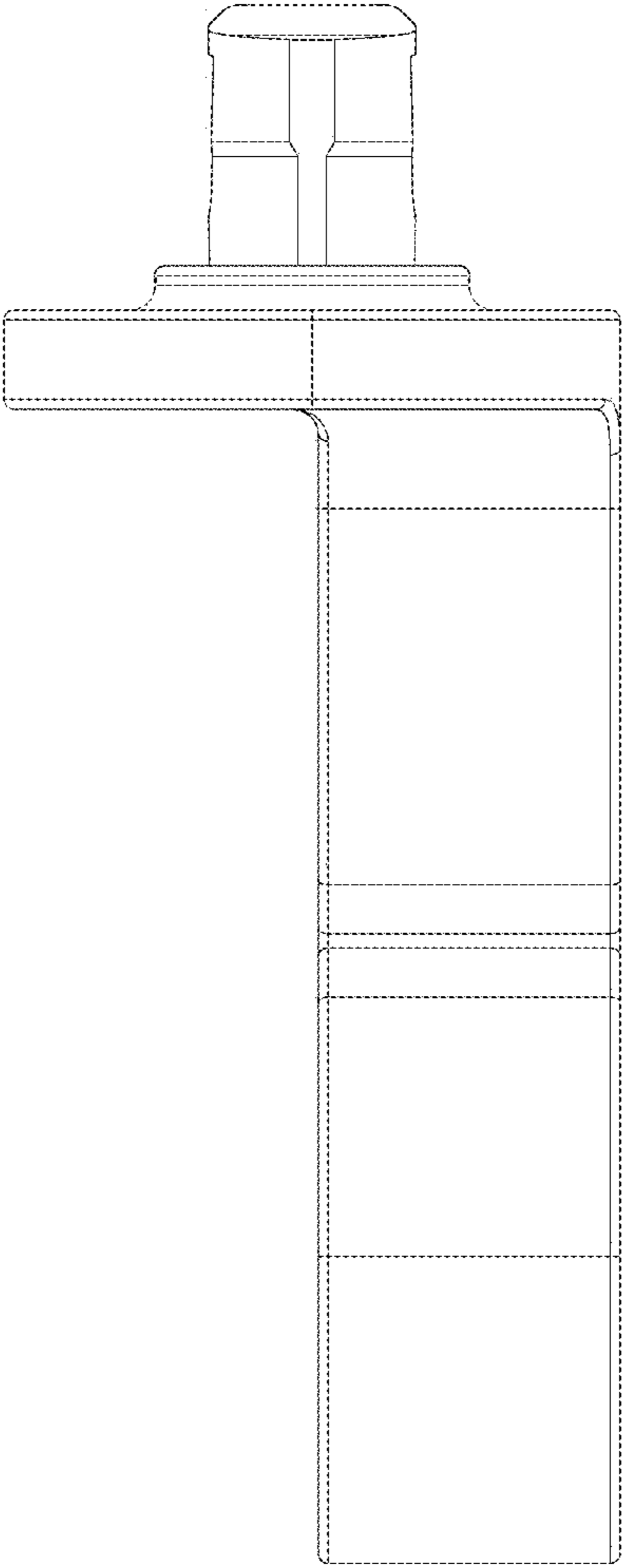


FIGURE 16



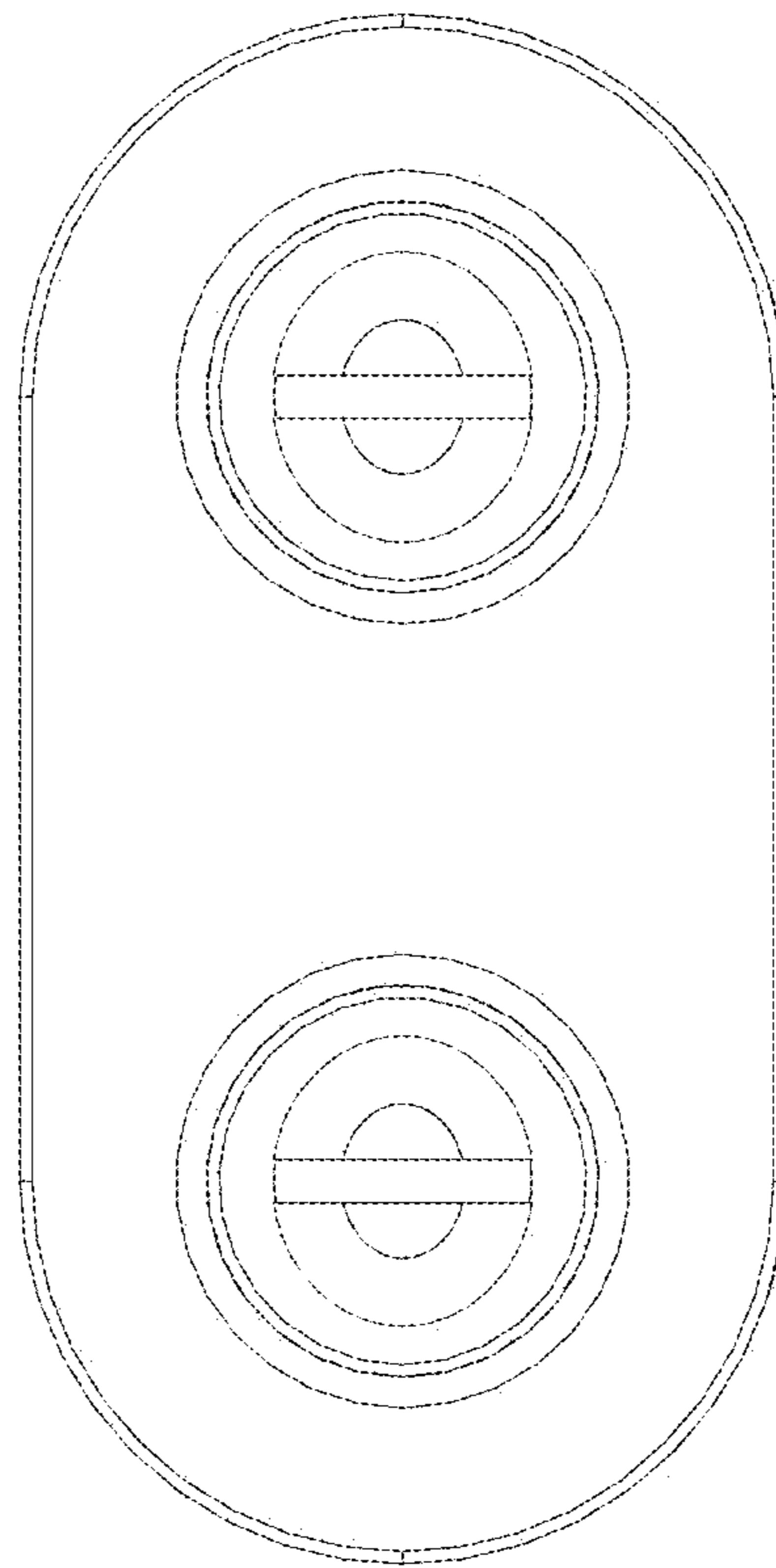


FIGURE 17

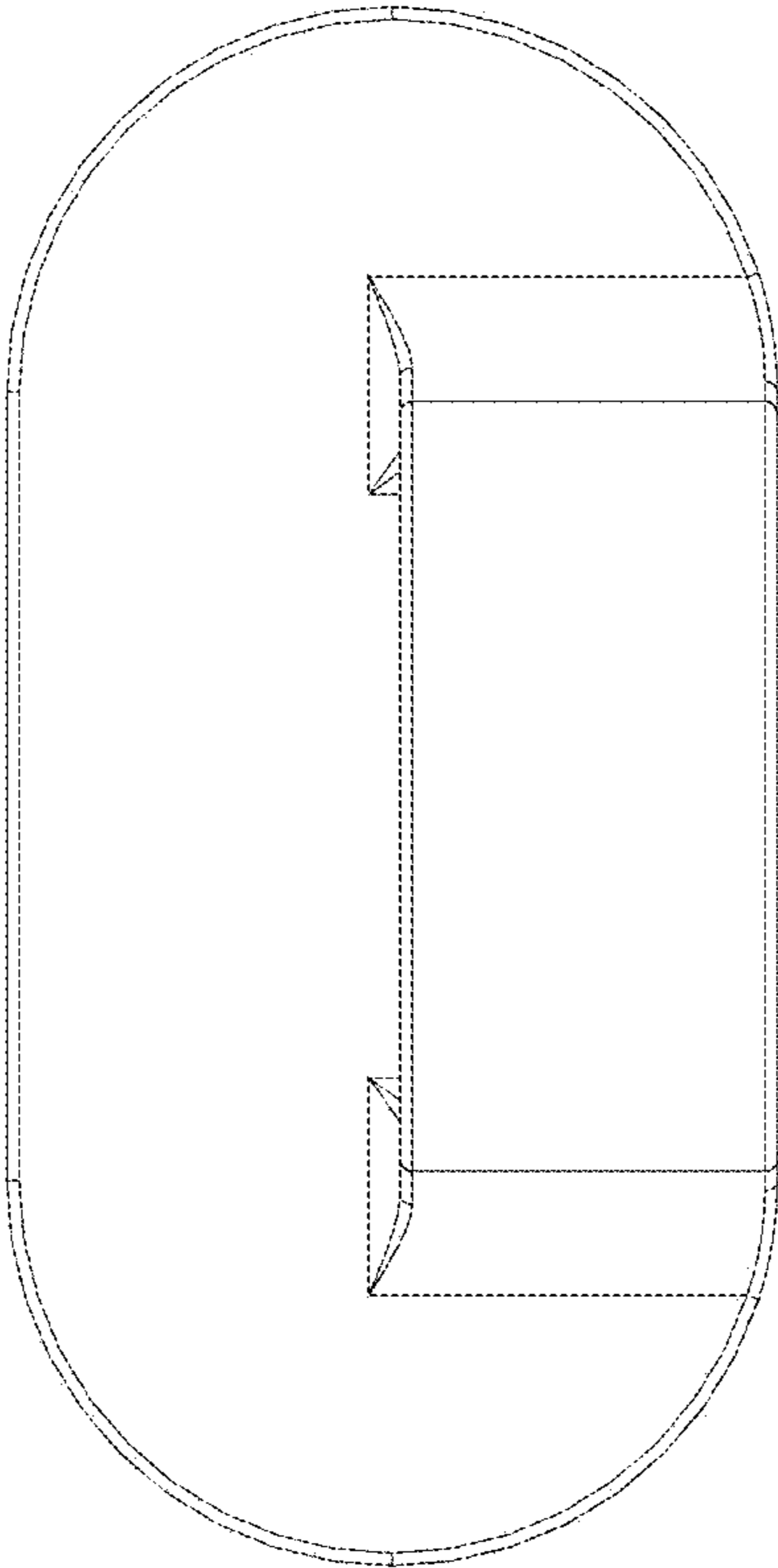


FIGURE 18