



US00D711979S

(12) **United States Design Patent**
Norman et al.

(10) **Patent No.:** **US D711,979 S**

(45) **Date of Patent:** **** Aug. 26, 2014**

(54) **CORNER CONNECTOR COMPONENT FOR A CONSTRUCTION KIT**

(71) Applicant: **Innovation First, Inc.**, Greenville, TX (US)

(72) Inventors: **David Anthony Norman**, Greenville, TX (US); **Robert H. Mimplitch, III**, Rowlett, TX (US); **Paul David Copioli**, Rockwall, TX (US); **Gregory James Lavender**, Rockwall, TX (US); **Aren Calder Hill**, Rockford, IL (US); **Douglas Michael Galletti**, Allen, TX (US); **John Edward Vielkind-Neun**, Rockwall, TX (US); **Arthur Philip Dutra, IV**, Greenville, TX (US)

(73) Assignee: **Innovation First, Inc.**, Greenville, TX (US)

(**) Term: **14 Years**

(21) Appl. No.: **29/483,273**

(22) Filed: **Feb. 27, 2014**

Related U.S. Application Data

(62) Division of application No. 29/451,639, filed on Apr. 5, 2013.

(51) **LOC (10) Cl.** **21-01**

(52) **U.S. Cl.**
USPC **D21/503**

(58) **Field of Classification Search**
CPC A63H 33/00; A63H 33/04; A63H 33/06; A63H 33/08; A63H 33/10; A63H 33/12; A63H 33/14; A63F 9/08; A63F 9/12; G09B 1/36
USPC D21/49-495, 500-505; D8/354, 382; 446/69, 89, 92, 102-128; 434/259, 434/208, 403; 52/503; 273/153, 156, 160
See application file for complete search history.

(56) **References Cited**

U.S. PATENT DOCUMENTS

D233,680 S * 11/1974 Christensen D21/488
5,049,104 A * 9/1991 Olsen 446/104

(Continued)

Primary Examiner — Cynthia M Chin

(74) *Attorney, Agent, or Firm* — Adam K. Sacharoff; Much Shelist

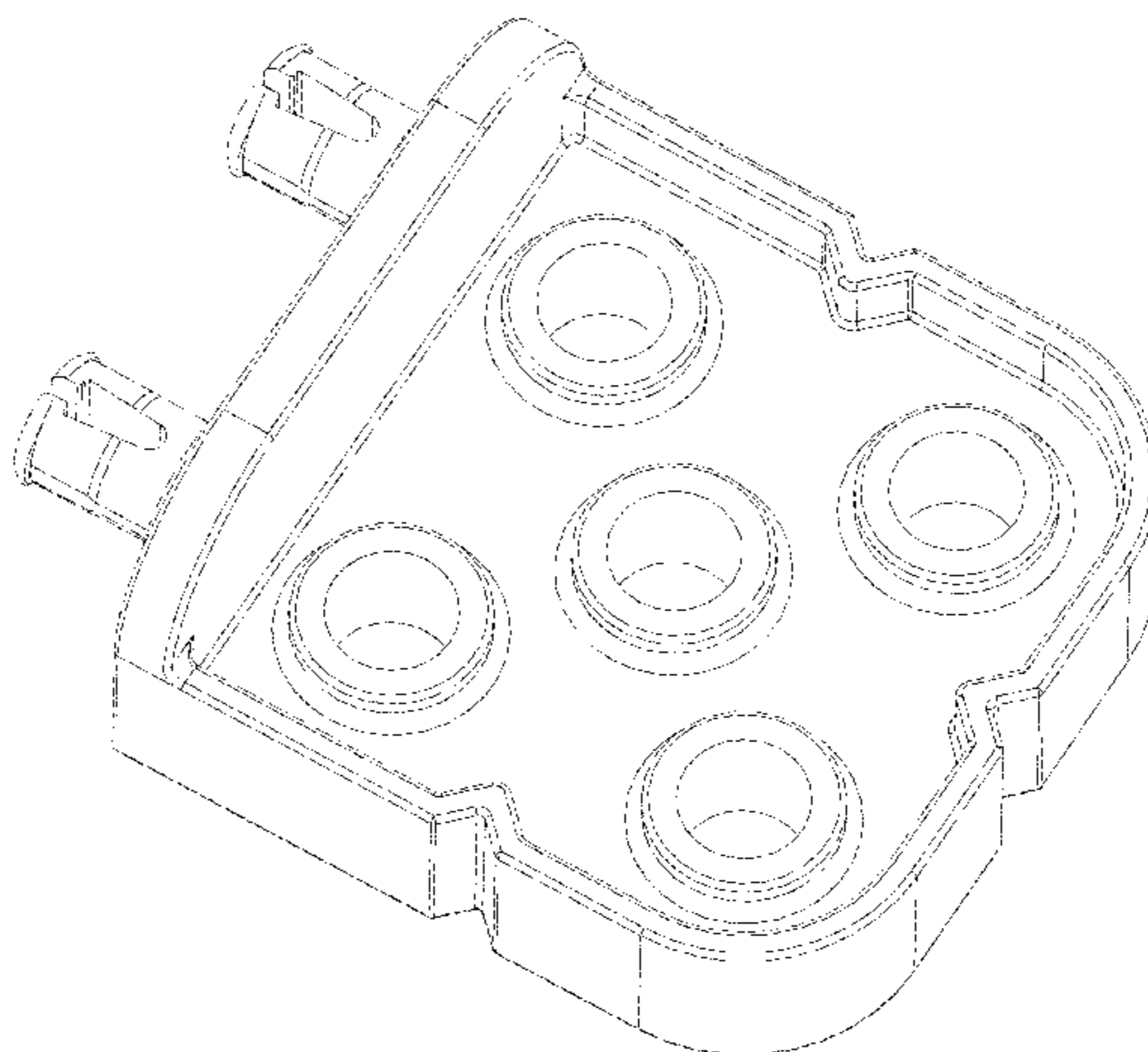
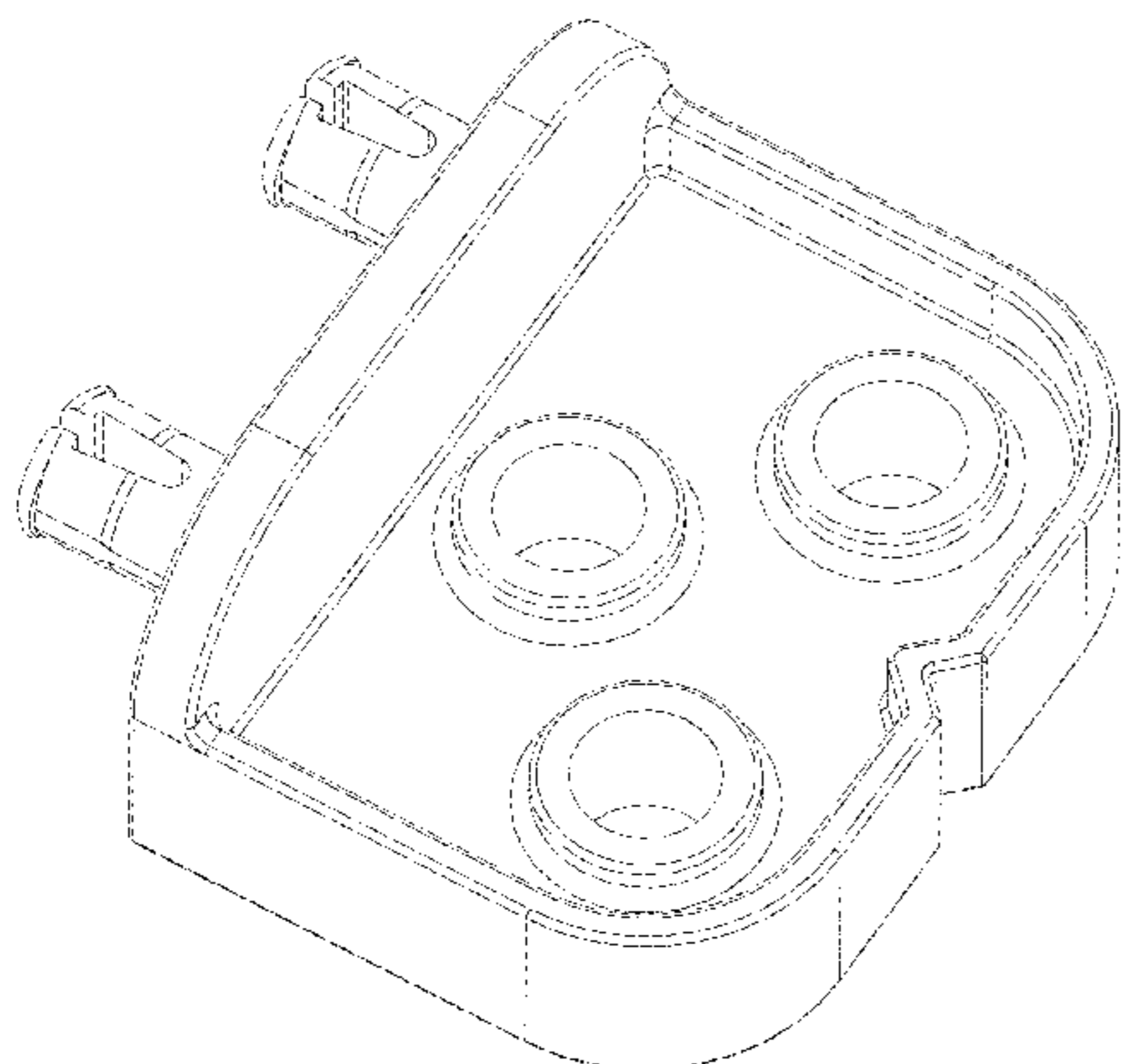
(57) **CLAIM**

The ornamental design for a corner connector component for a construction kit, as shown and described.

DESCRIPTION

FIG. 1 is a front perspective view of a corner connector component for a construction kit in accordance with an embodiment of the invention;
FIG. 2 is a bottom rear perspective view of FIG. 1;
FIG. 3 is a top rear perspective view of FIG. 1;
FIG. 4 is a top side view of FIG. 1;
FIG. 5 is a bottom side view of FIG. 1;
FIG. 6 is a right side view of FIG. 1;
FIG. 7 is a left side view of FIG. 1;
FIG. 8 is a front side view of FIG. 1;
FIG. 9 is a rear side view of FIG. 1;
FIG. 10 is a front perspective view of a corner connector component for a construction kit in accordance with a 2nd embodiment of the invention;
FIG. 11 is a bottom rear perspective view of FIG. 10;
FIG. 12 is a top rear perspective view of FIG. 10;
FIG. 13 is a top side view of FIG. 10;
FIG. 14 is a bottom side view of FIG. 10;
FIG. 15 is a right side view of FIG. 10;
FIG. 16 is a left side view of FIG. 10;
FIG. 17 is a front side view of FIG. 10; and,
FIG. 18 is a rear side view of FIG. 10.

1 Claim, 18 Drawing Sheets



(56)

References Cited

U.S. PATENT DOCUMENTS

5,172,534	A	*	12/1992	Milner et al.	52/632	D415,217	S	*	10/1999	Rudy	D21/503
D334,601	S	*	4/1993	Olsen	D21/502	D510,753	S		10/2005	Paterson	
D340,749	S	*	10/1993	Lyman	D21/503	D516,135	S		2/2006	Kim	
D360,000	S		7/1995	Hatting et al.		D516,635	S	*	3/2006	Kim	D21/503
D362,473	S		9/1995	Lyman et al.		D517,128	S		3/2006	Kim	
D369,838	S	*	5/1996	Hatting et al.	D21/501	D517,616	S		3/2006	Kim	
						D573,202	S		7/2008	Chun	
						D616,047	S	*	5/2010	Christensen	D21/502

* cited by examiner

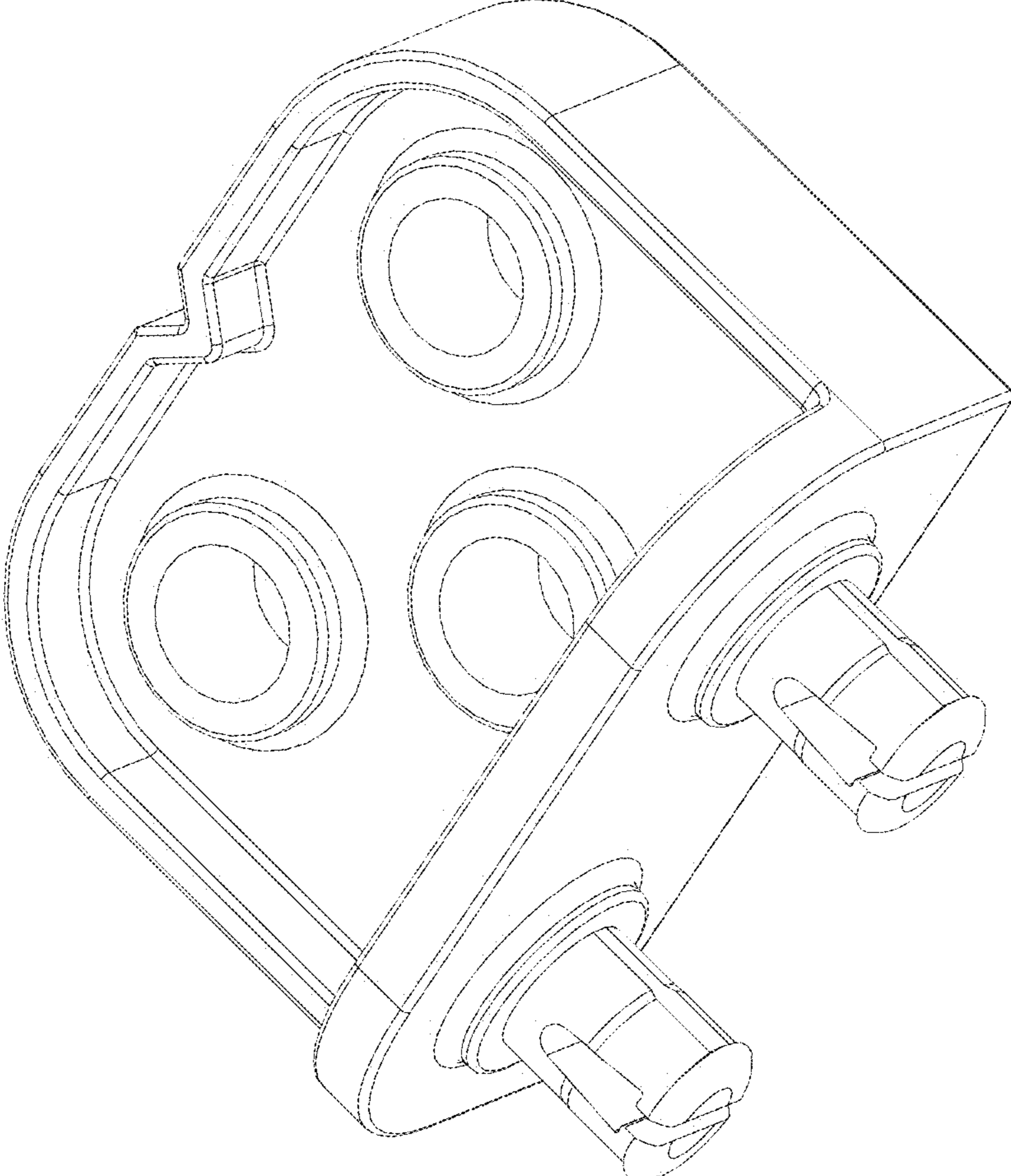


FIGURE 1

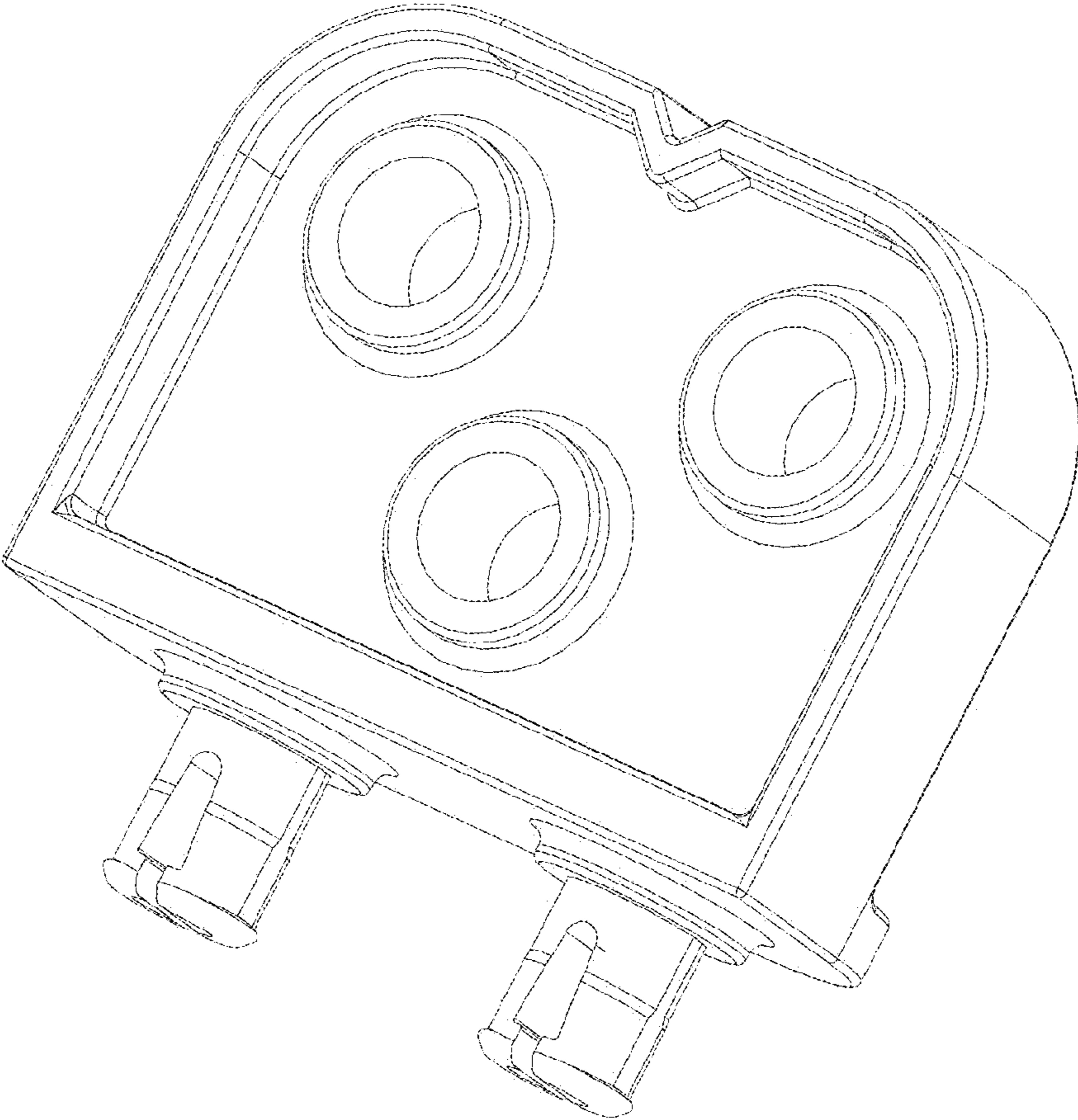


FIGURE 2

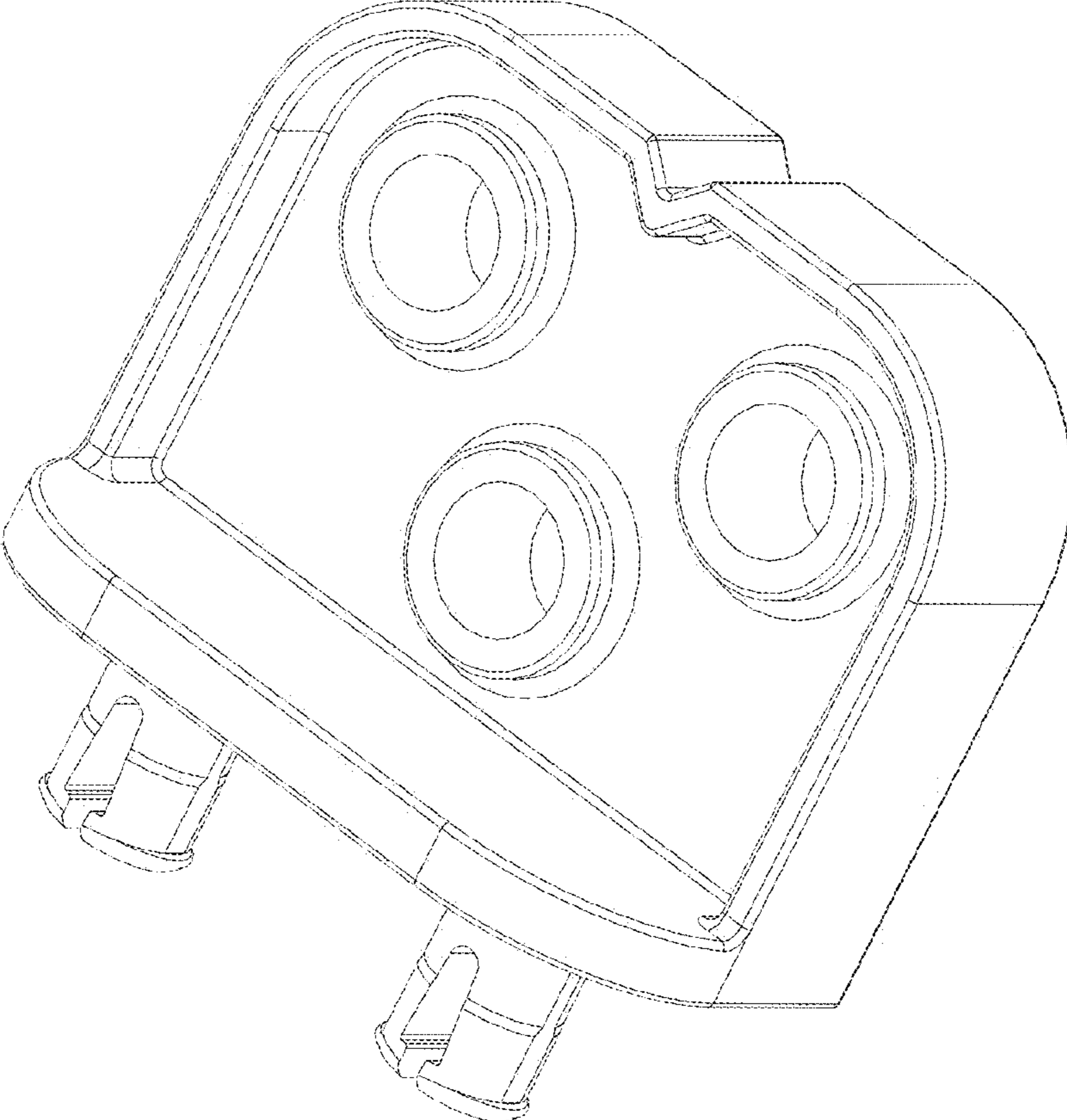


FIGURE 3

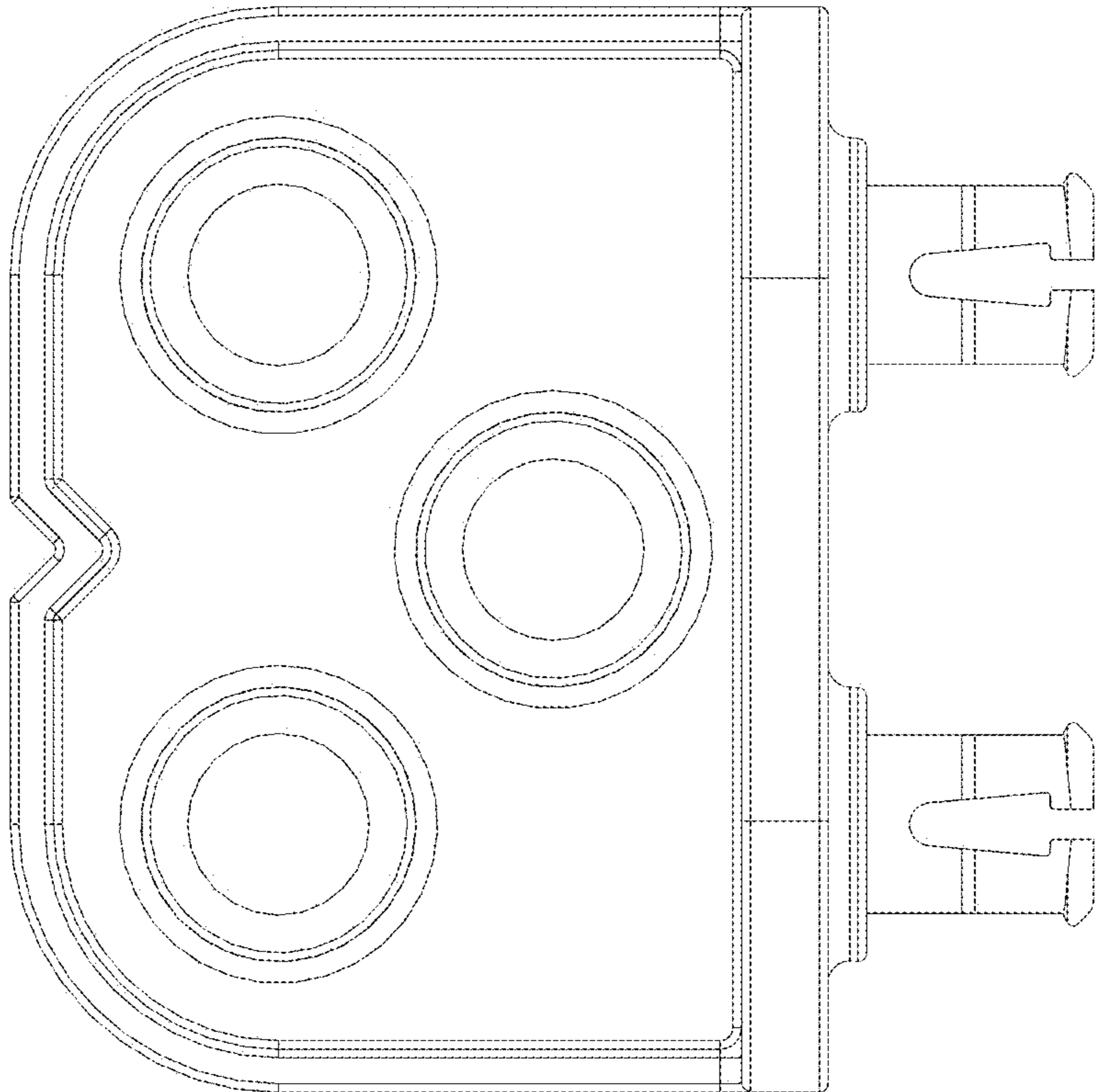


FIGURE 4

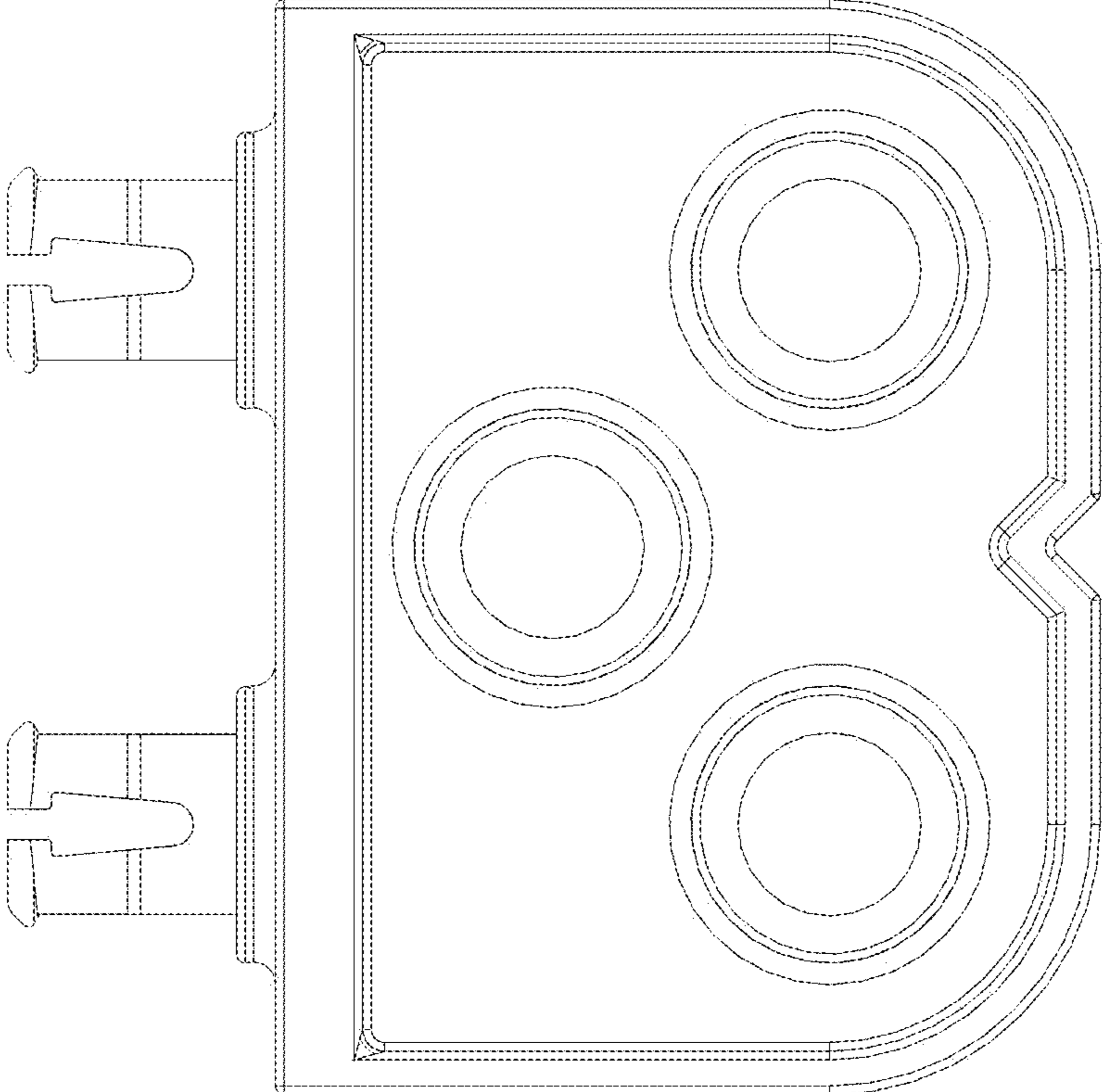


FIGURE 5

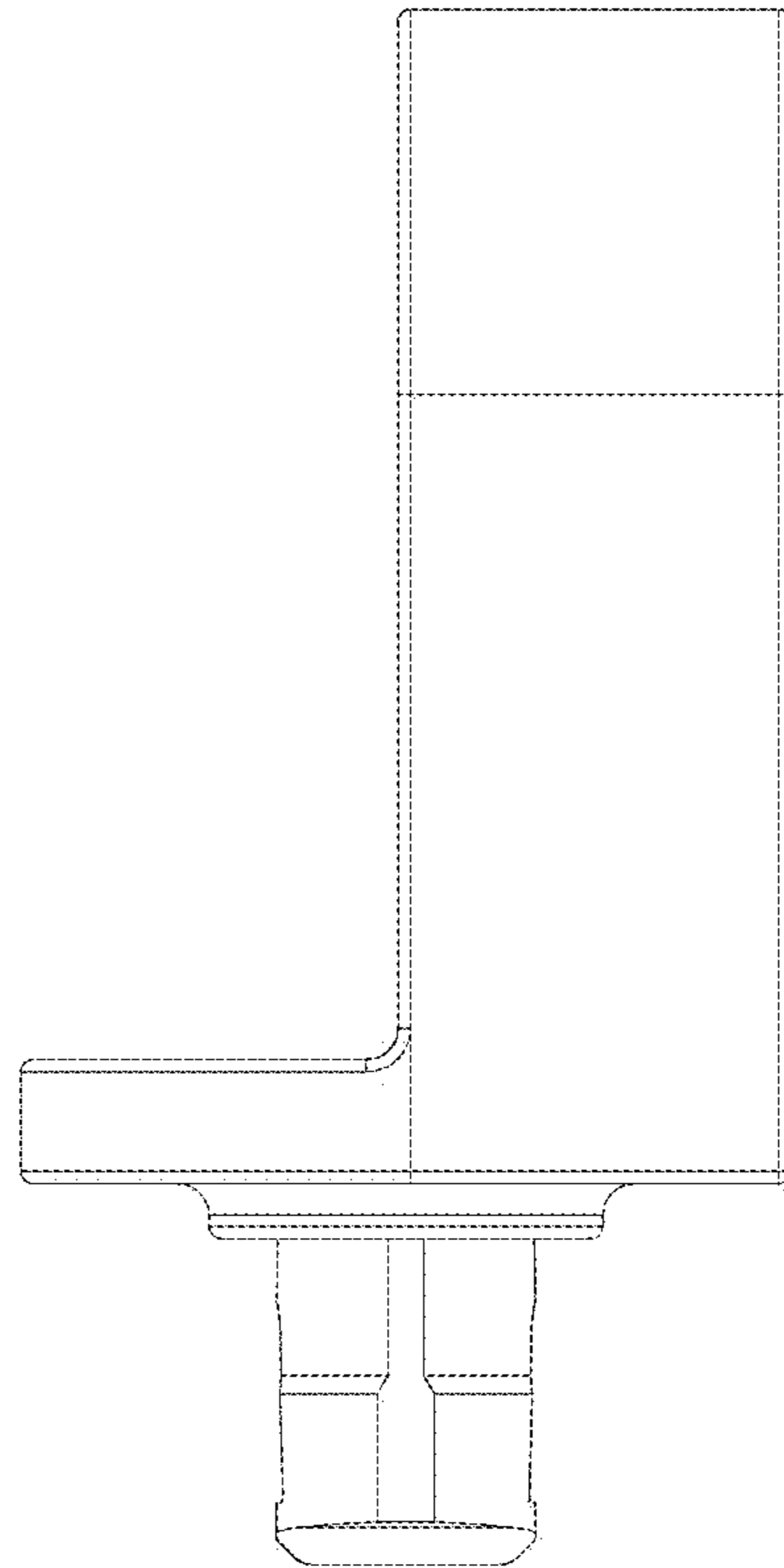


FIGURE 6

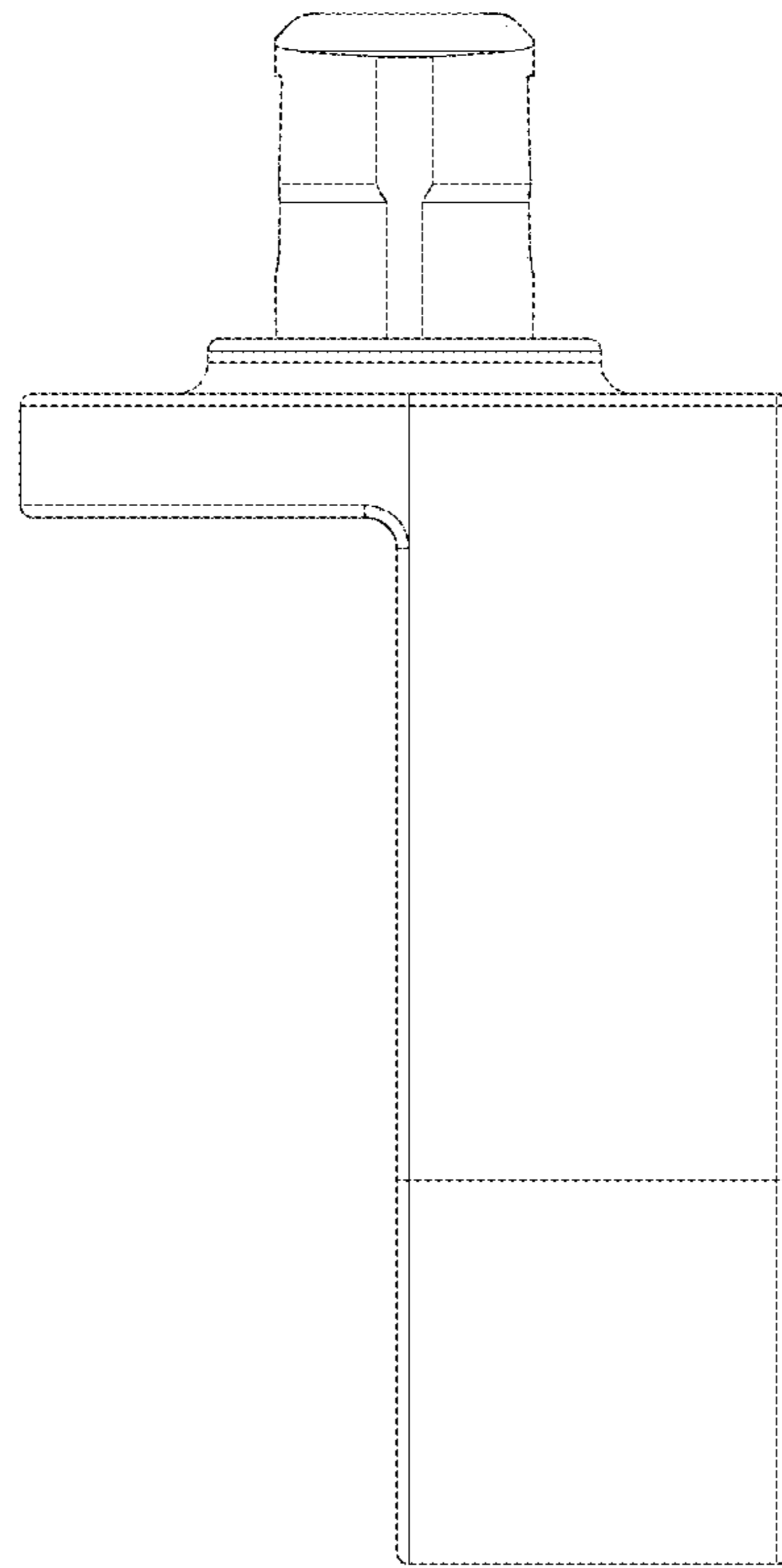


FIGURE 7

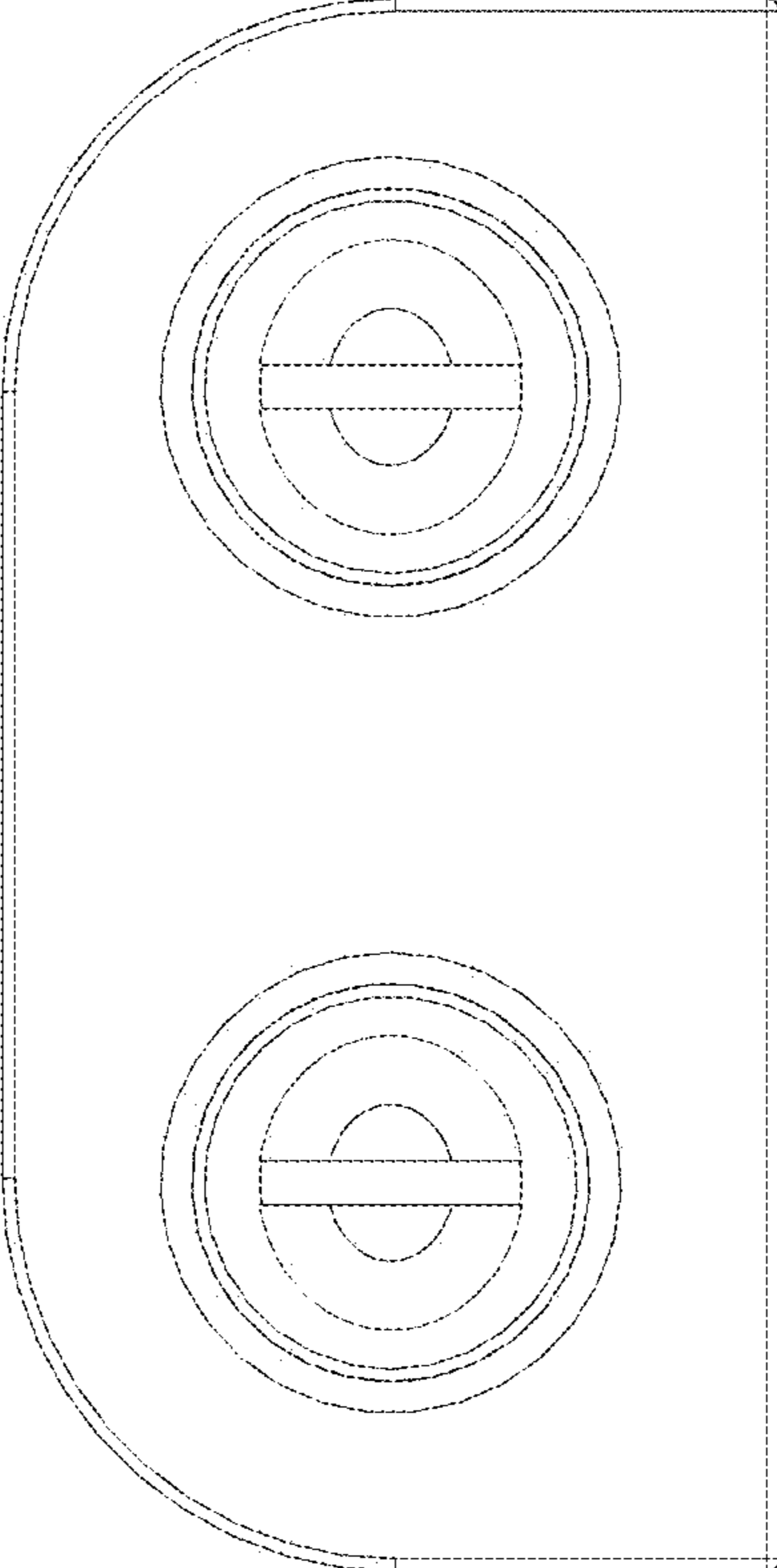


FIGURE 8

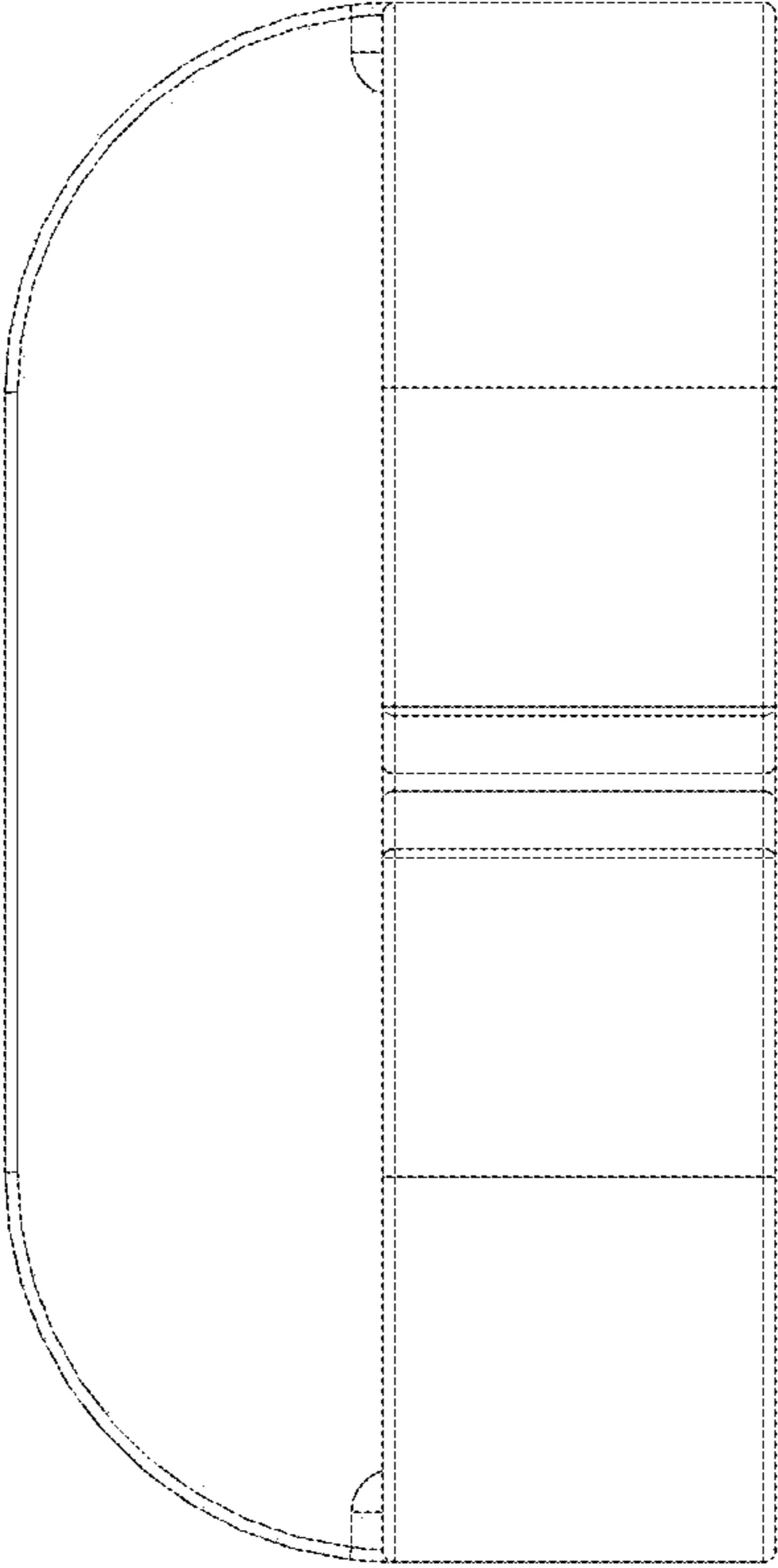


FIGURE 9

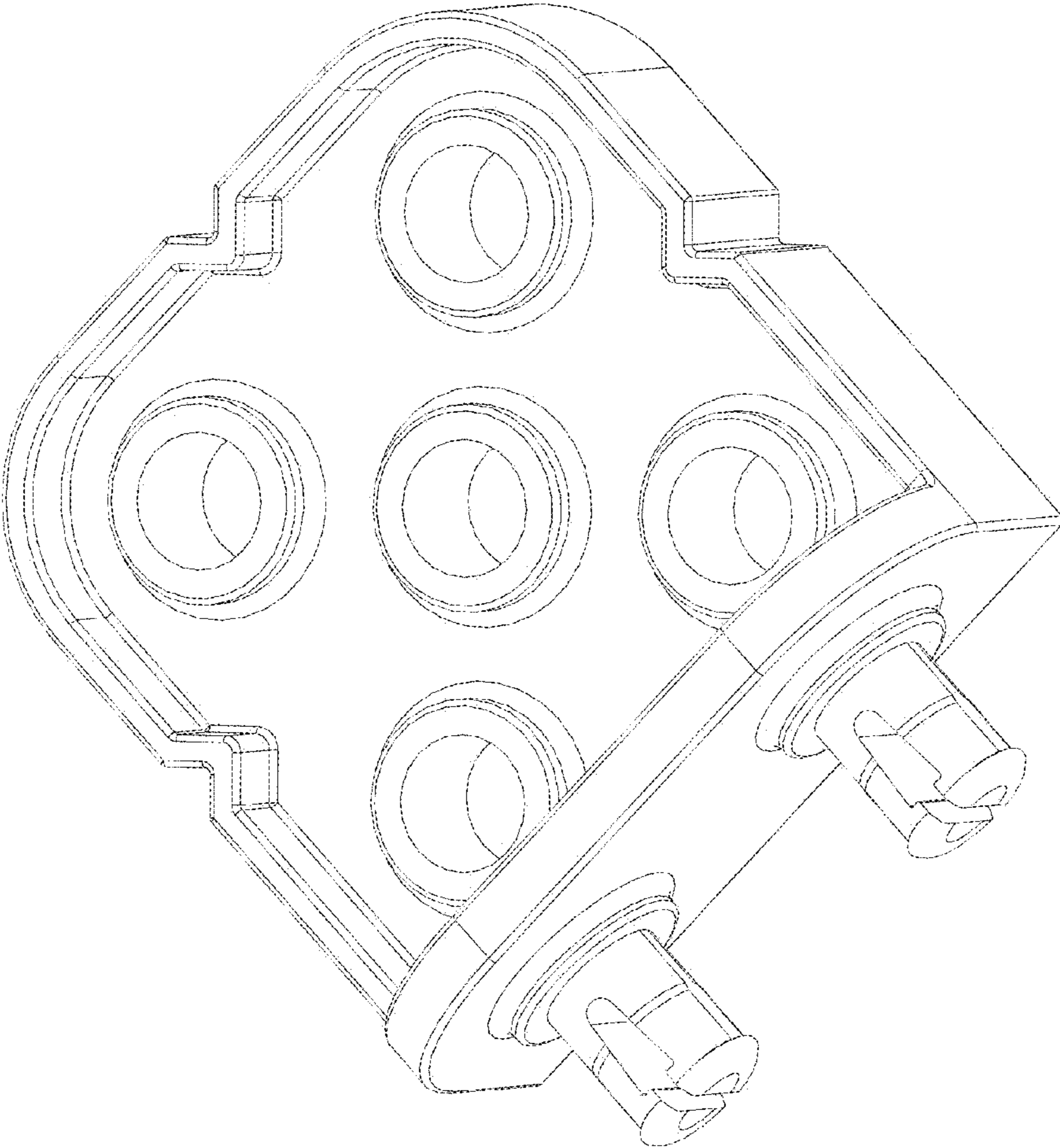


FIGURE 10

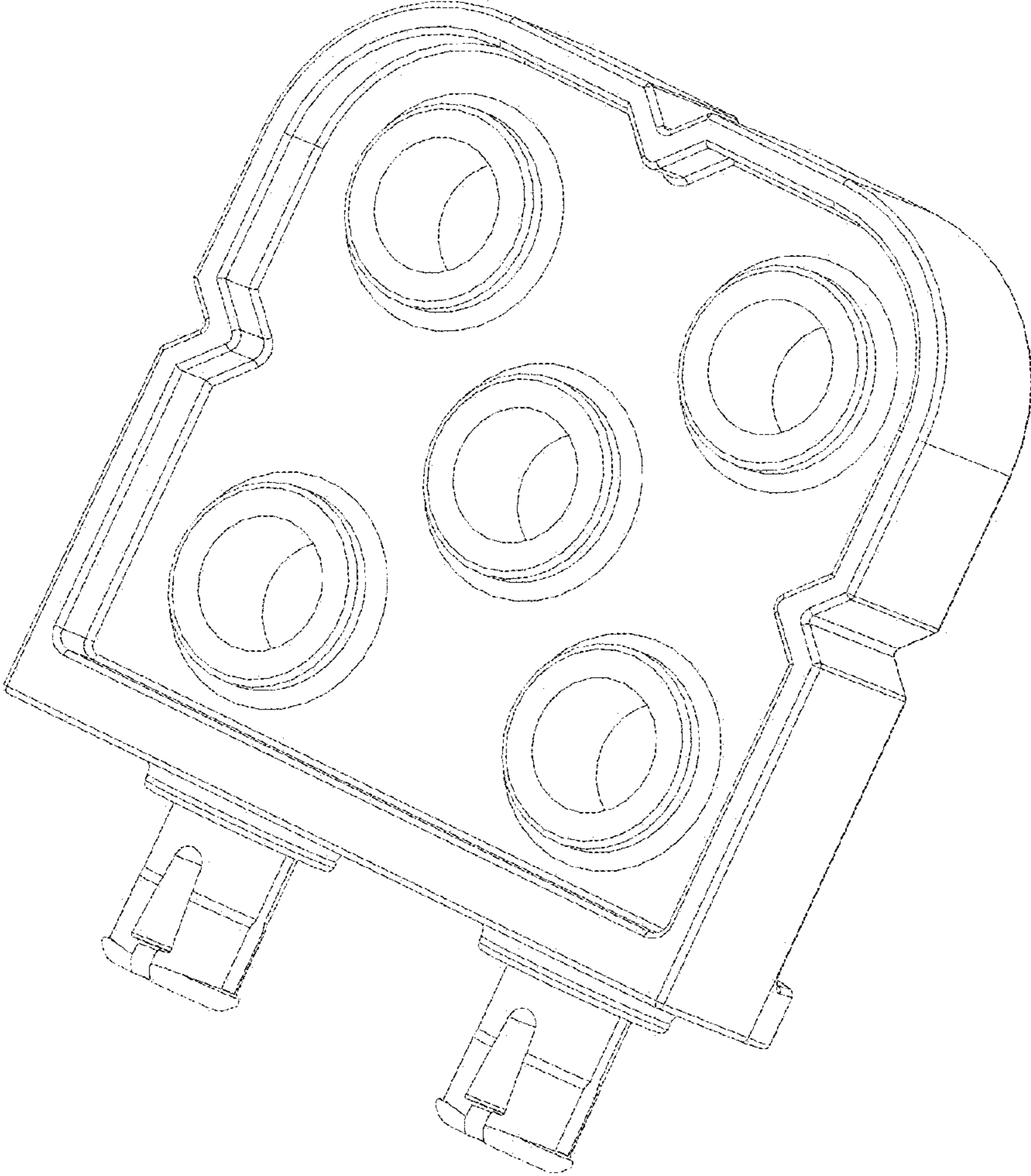


FIGURE 11

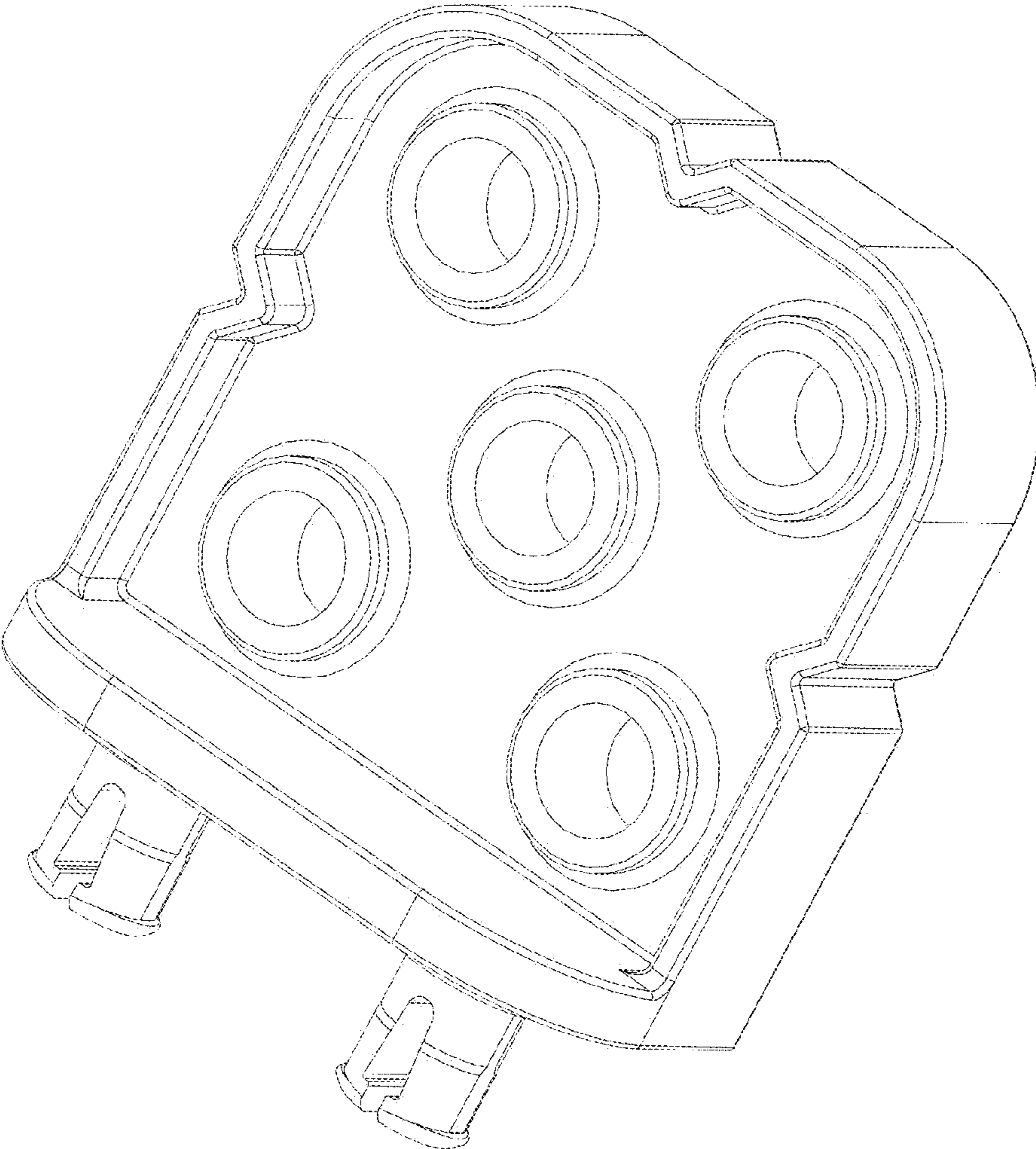


FIGURE 12

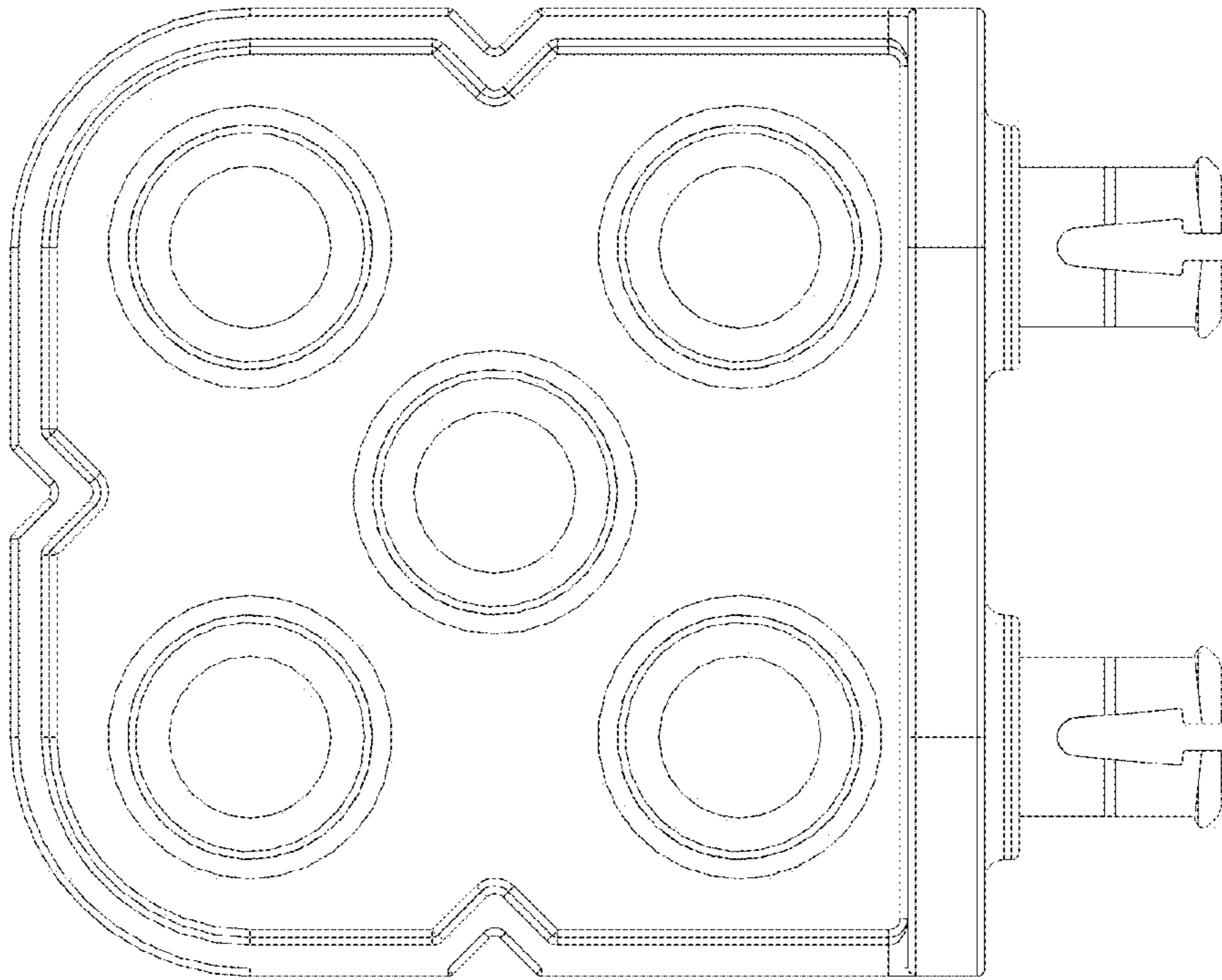


FIGURE 13

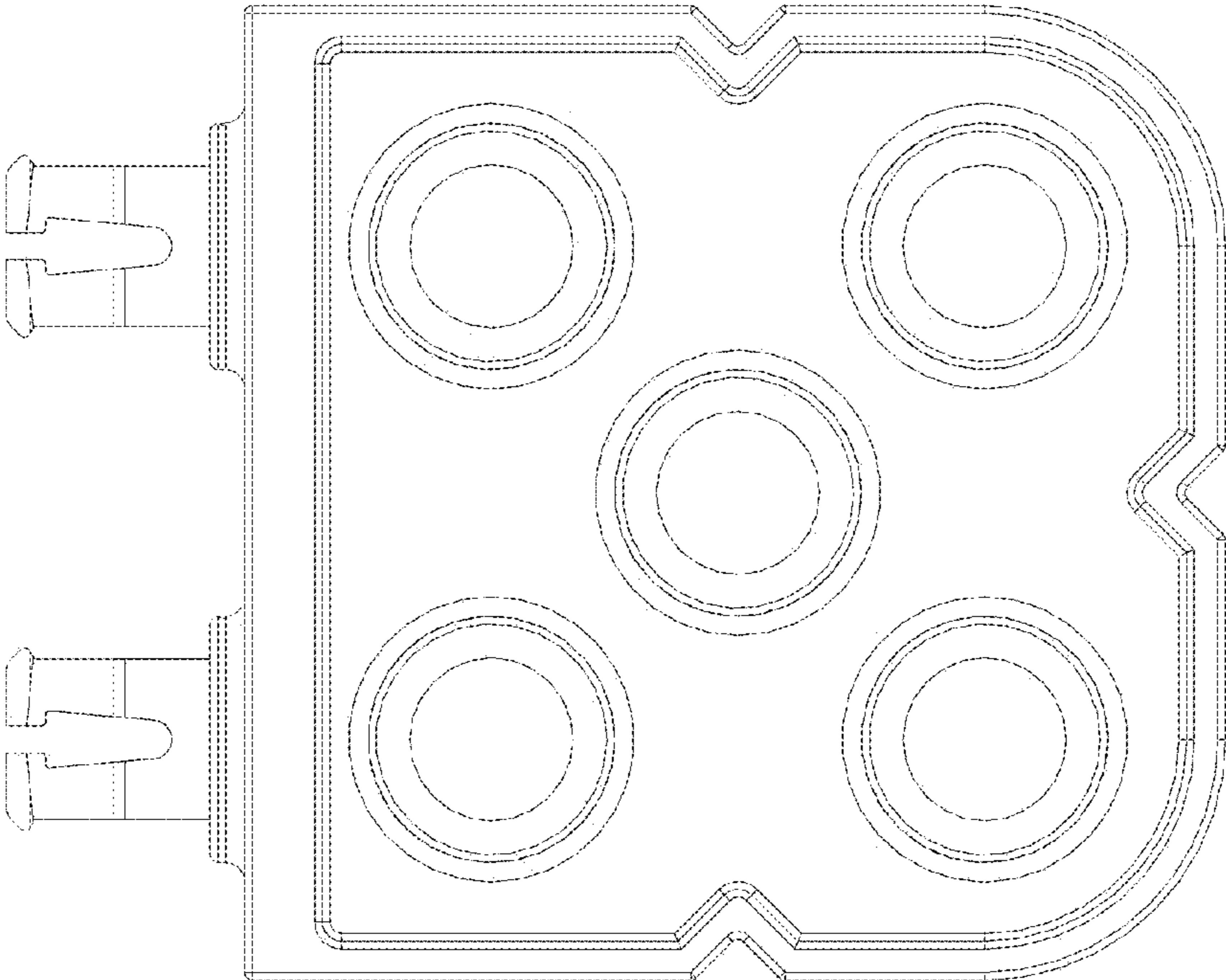


FIGURE 14

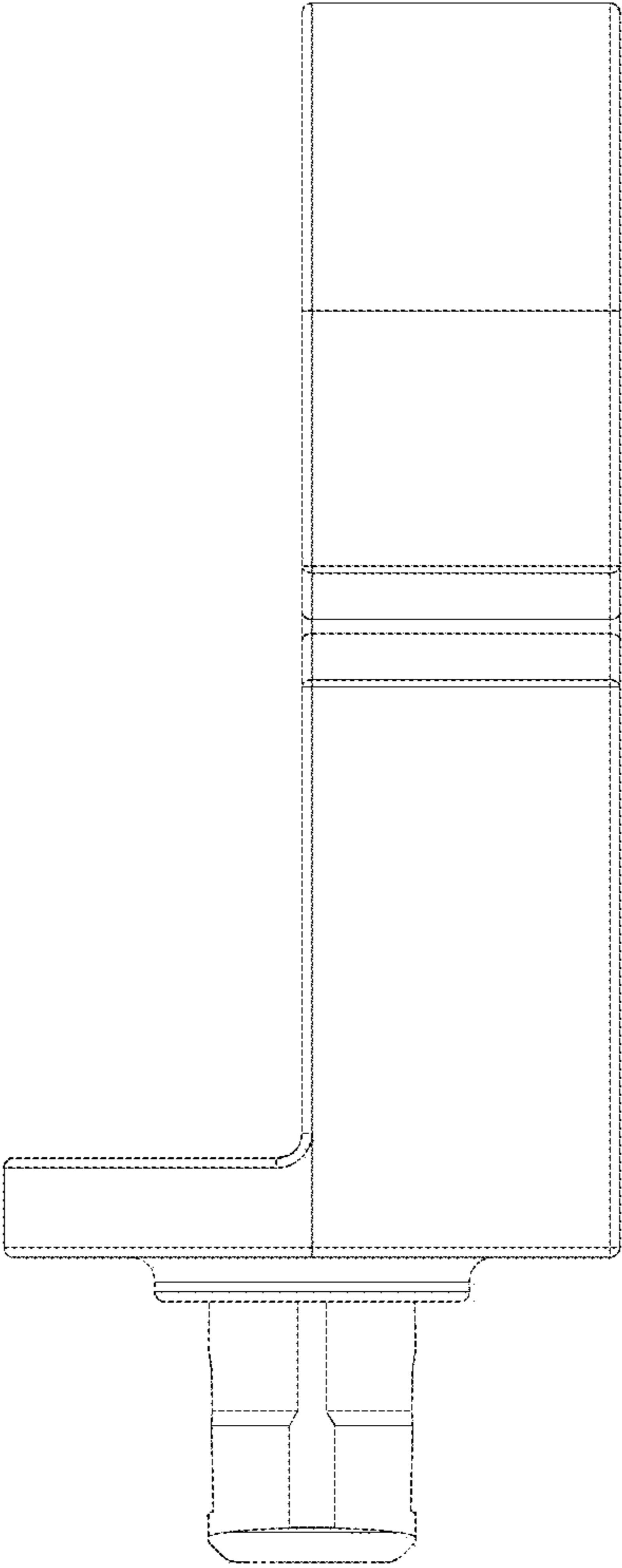


FIGURE 15

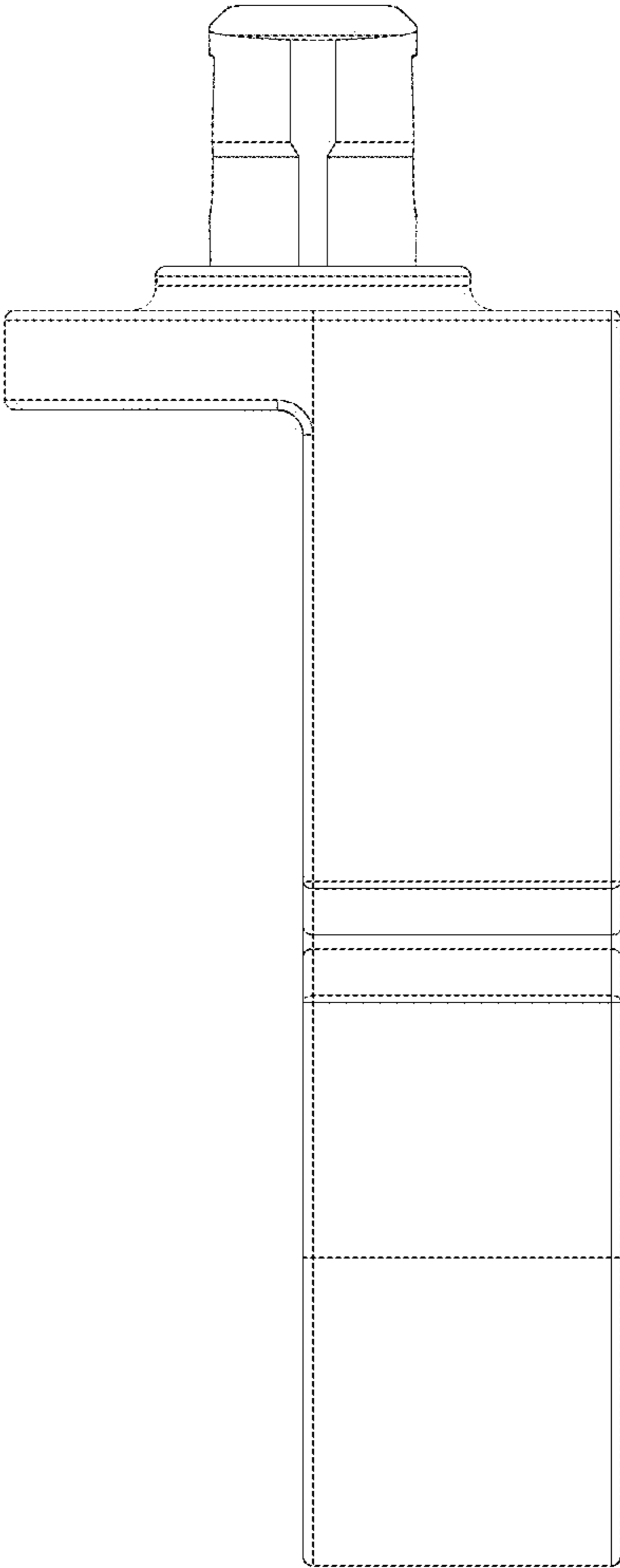


FIGURE 16

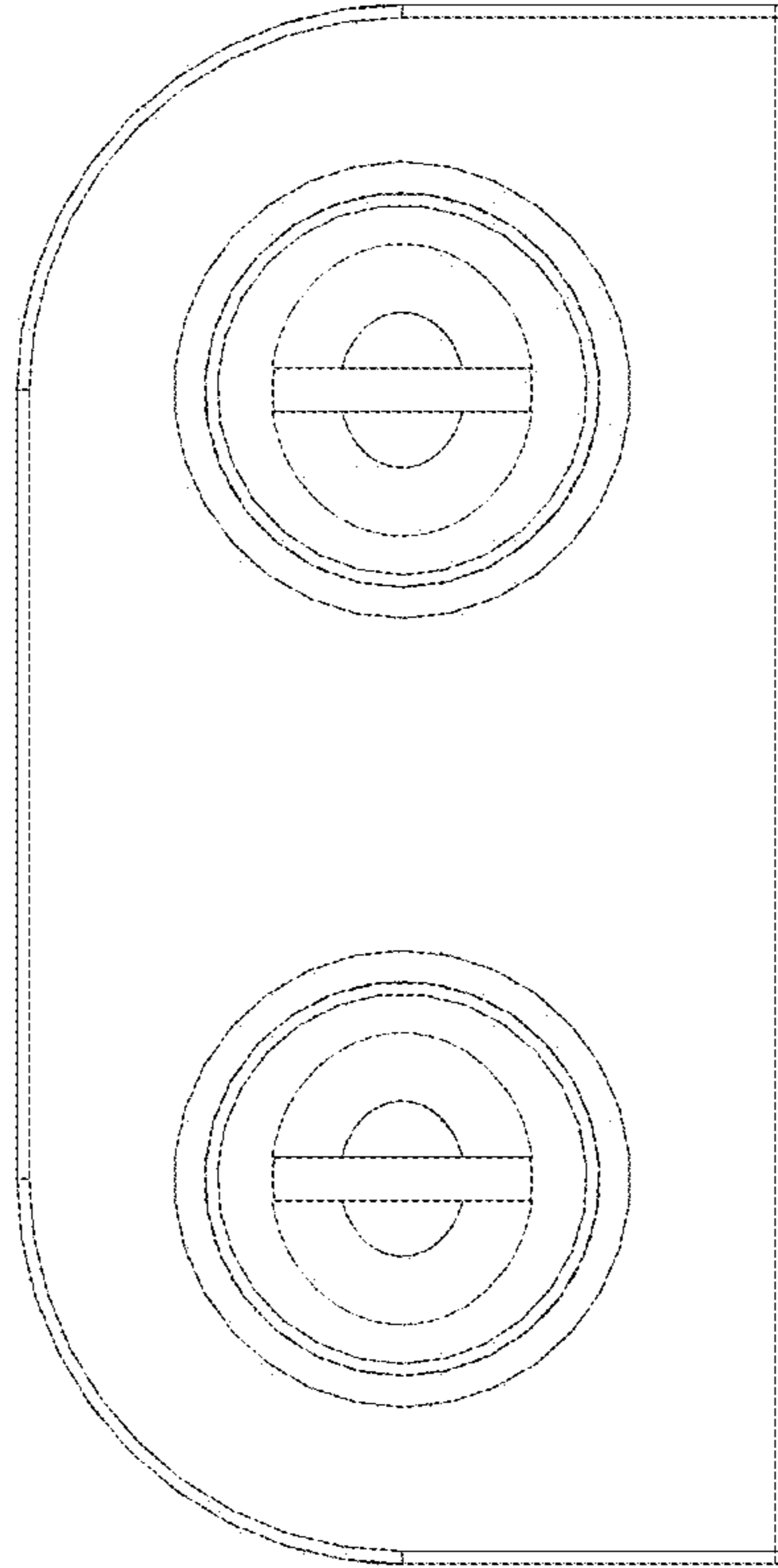


FIGURE 17

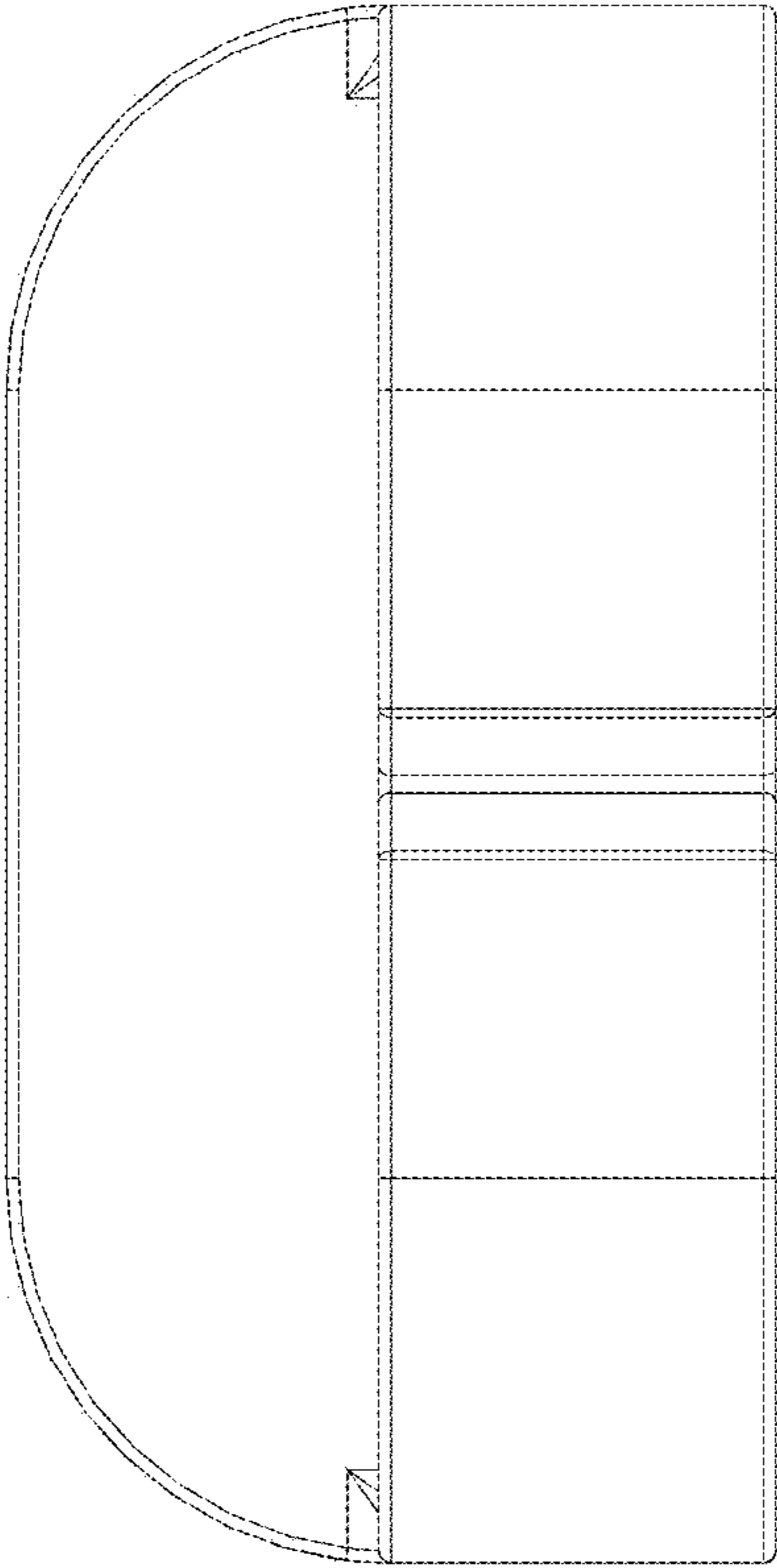


FIGURE 18