



US00D711978S

(12) **United States Design Patent**
Norman et al.

(10) **Patent No.:** **US D711,978 S**
(45) **Date of Patent:** **** Aug. 26, 2014**

(54) **CORNER CONNECTOR COMPONENT FOR A CONSTRUCTION KIT**

USPC D21/49-495, 500-505; D8/354, 382;
446/69, 89, 92, 102-128; 434/259,
434/208, 403; 52/503; 273/153, 156, 160
See application file for complete search history.

(71) Applicant: **Innovation First, Inc.**, Greenville, TX (US)

(56) **References Cited**

(72) Inventors: **David Anthony Norman**, Greenville, TX (US); **Robert H. Mimplitch, III**, Rowlett, TX (US); **Paul David Copioli**, Rockwall, TX (US); **Gregory James Lavender**, Rockwall, TX (US); **Aren Calder Hill**, Rockford, IL (US); **Douglas Michael Galletti**, Allen, TX (US); **John Edward Vielkind-Neun**, Rockwall, TX (US); **Arthur Philip Dutra, IV**, Greenville, TX (US)

U.S. PATENT DOCUMENTS

D360,000	S	*	7/1995	Hatting et al.	D21/502
D362,473	S	*	9/1995	Lyman et al.	D21/489
D510,753	S	*	10/2005	Paterson	D21/503
D516,135	S	*	2/2006	Kim	D21/503
D517,128	S	*	3/2006	Kim	D21/503
D517,616	S	*	3/2006	Kim	D21/503
D573,202	S	*	7/2008	Chun	D21/503

* cited by examiner

(73) Assignee: **Innovation First, Inc.**, Greenville, TX (US)

Primary Examiner — Cynhia M Chin

(**) Term: **14 Years**

(74) *Attorney, Agent, or Firm* — Adam K. Sacharoff; Much Shelist

(21) Appl. No.: **29/483,272**

(57) **CLAIM**

The ornamental design for a corner connector component for a construction kit, as shown and described.

(22) Filed: **Feb. 27, 2014**

DESCRIPTION

Related U.S. Application Data

(62) Division of application No. 29/451,639, filed on Apr. 5, 2013.

(51) **LOC (10) Cl.** **21-01**

(52) **U.S. Cl.**
USPC **D21/503**

(58) **Field of Classification Search**
CPC A63H 33/00; A63H 33/04; A63H 33/08;
A63H 33/10; A63H 33/12; A63H 33/14;
A63F 9/08; A63F 9/12; G09B 1/36

FIG. 1 is a front perspective view of a corner connector component for a construction kit in accordance with the present invention;

FIG. 2 is a rear perspective view of FIG. 1;

FIG. 3 is a bottom side perspective view of FIG. 1;

FIG. 4 is a bottom side view of FIG. 1;

FIG. 5 is a top side view of FIG. 1;

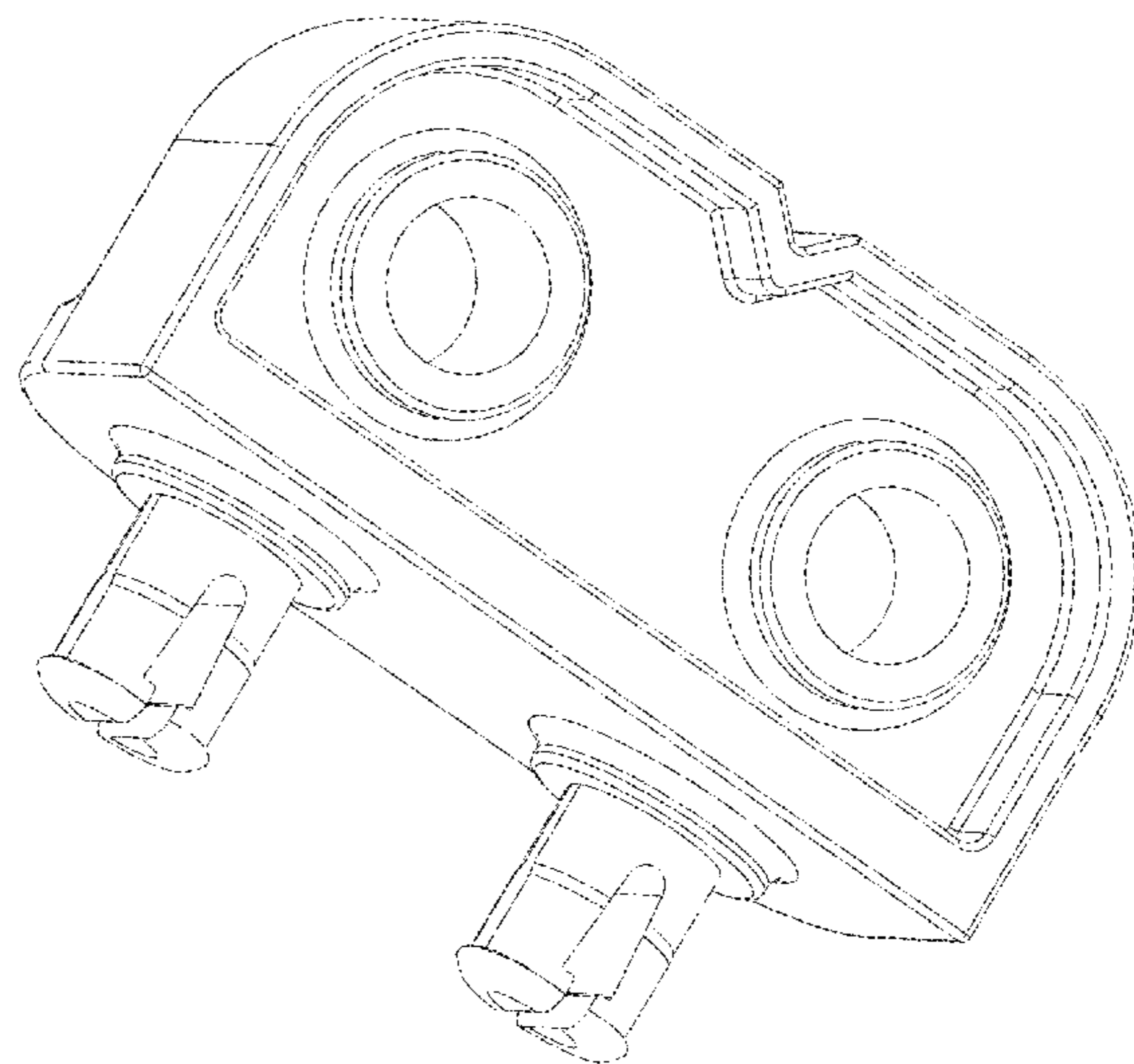
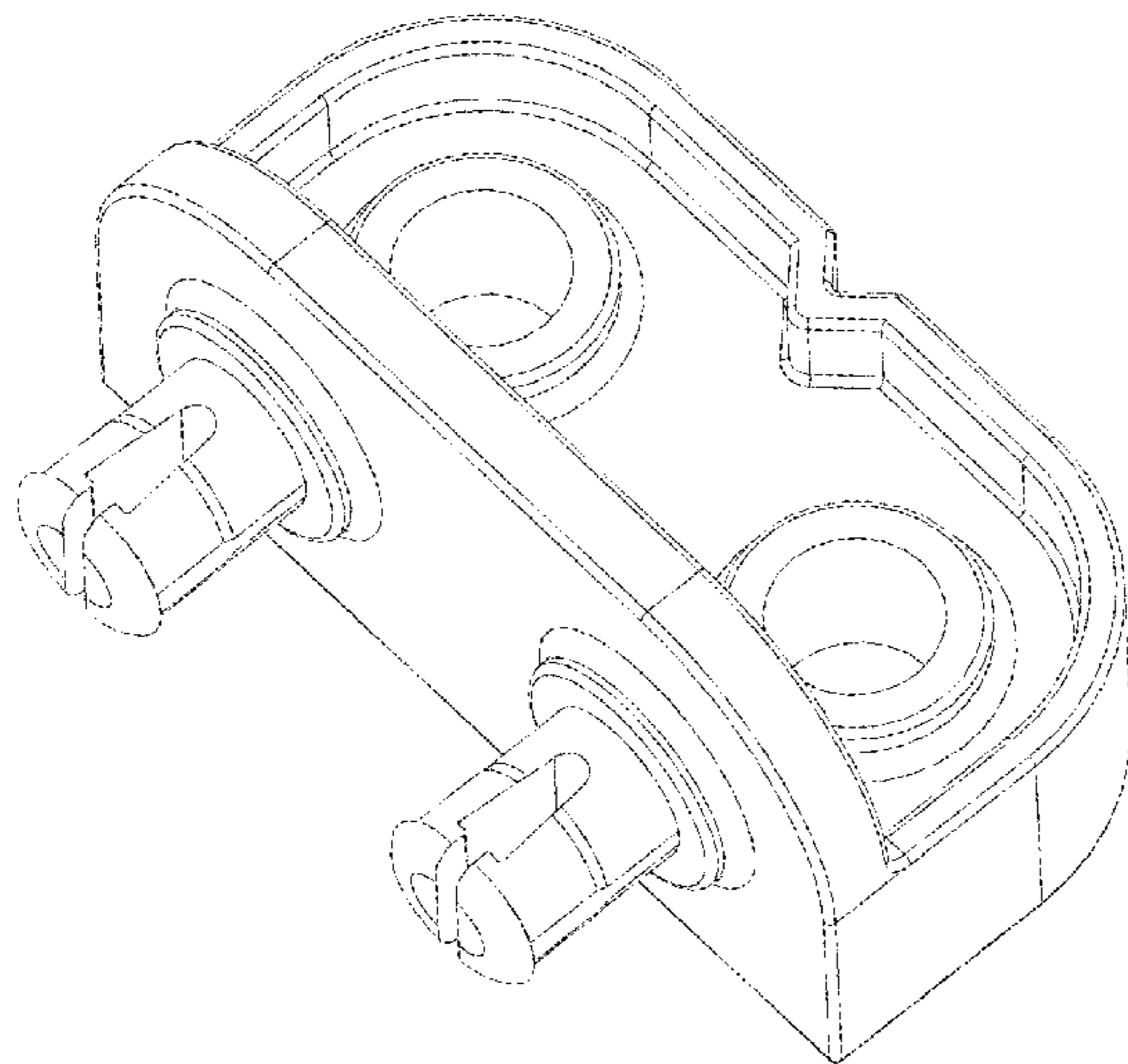
FIG. 6 is a right side view of FIG. 1;

FIG. 7 is a left side view of FIG. 1;

FIG. 8 is a front side view of FIG. 1; and,

FIG. 9 is a rear side view of FIG. 1.

1 Claim, 9 Drawing Sheets



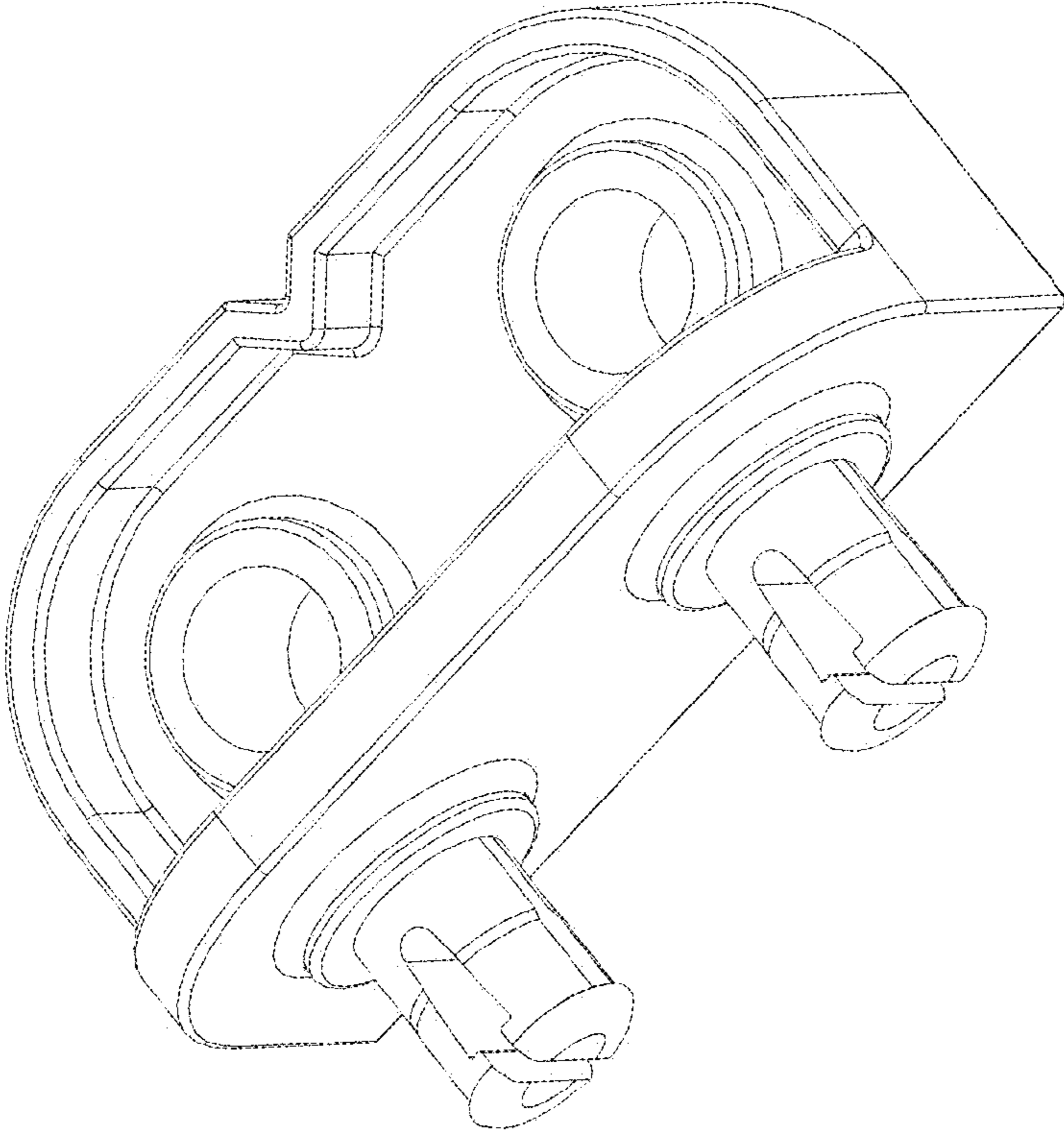


FIGURE 1

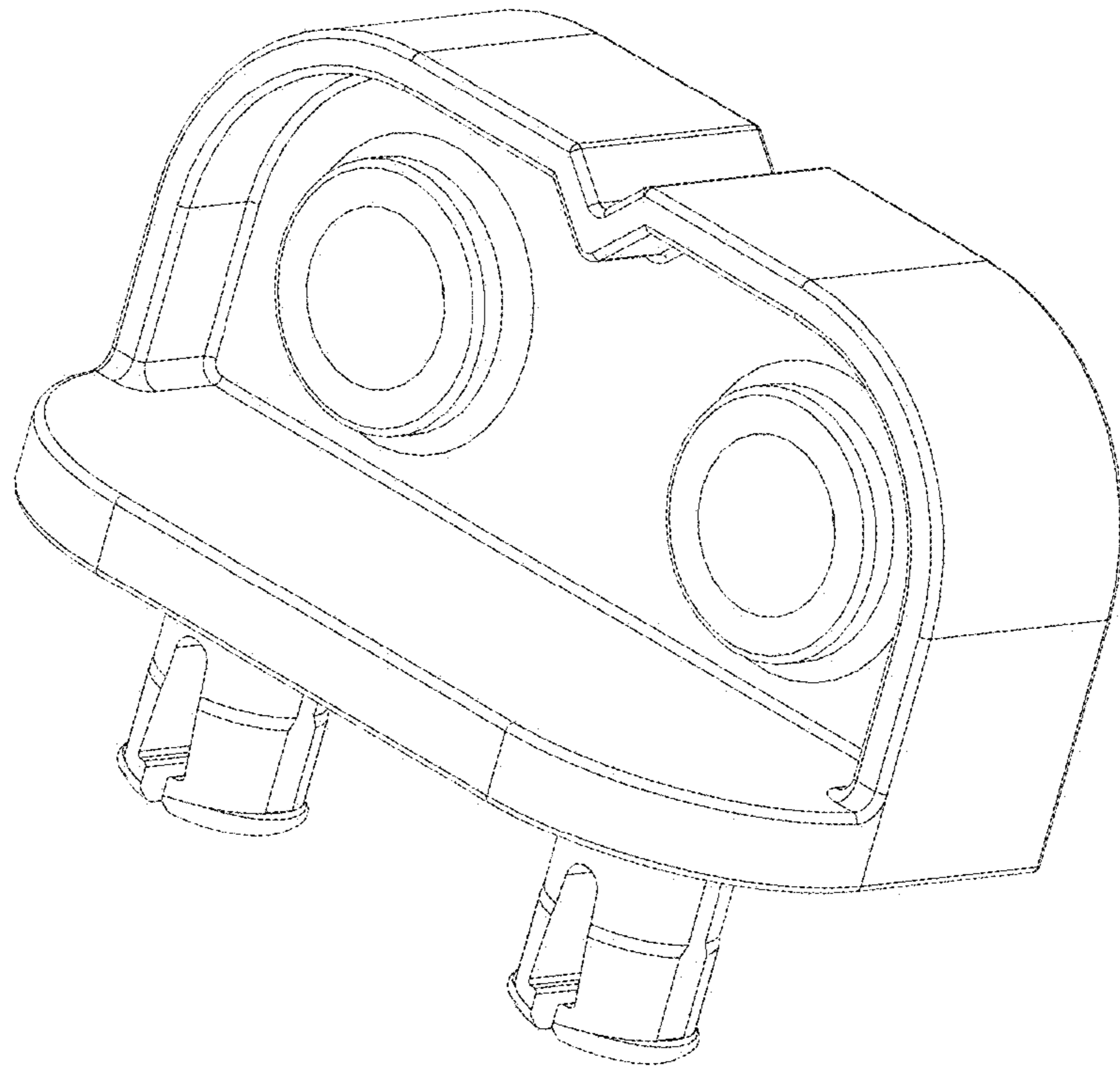


FIGURE 2

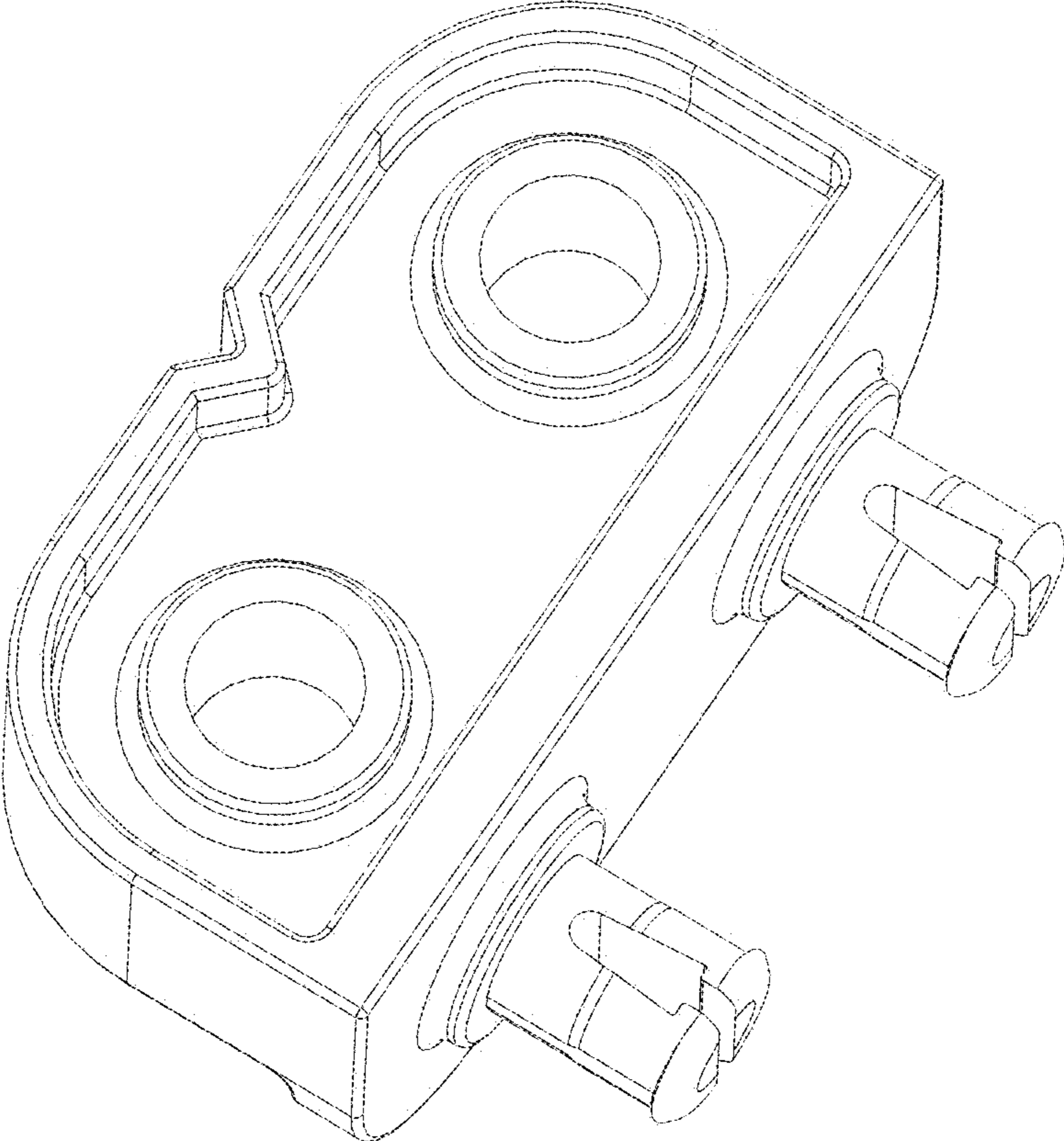


FIGURE 3

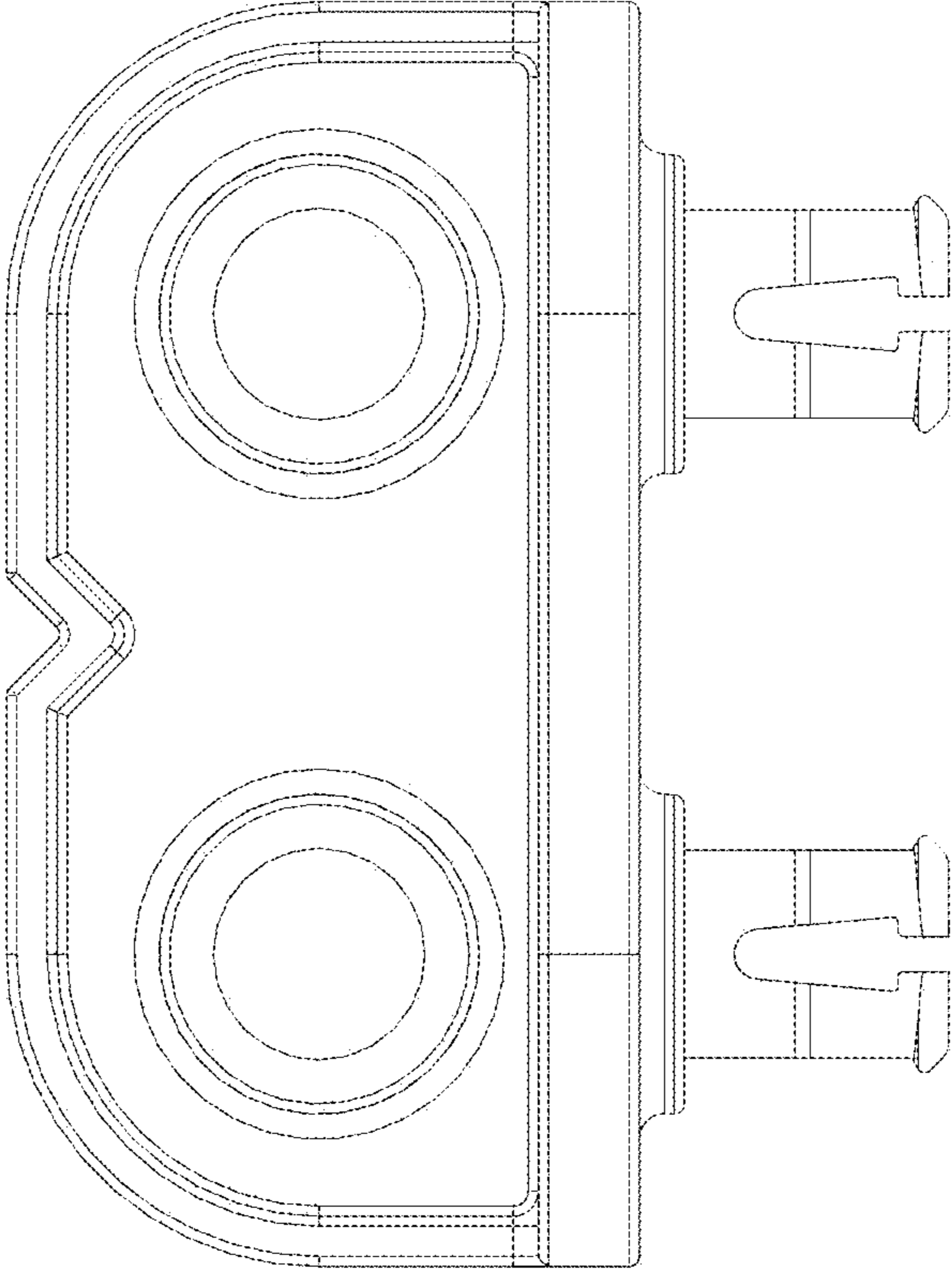


FIGURE 4

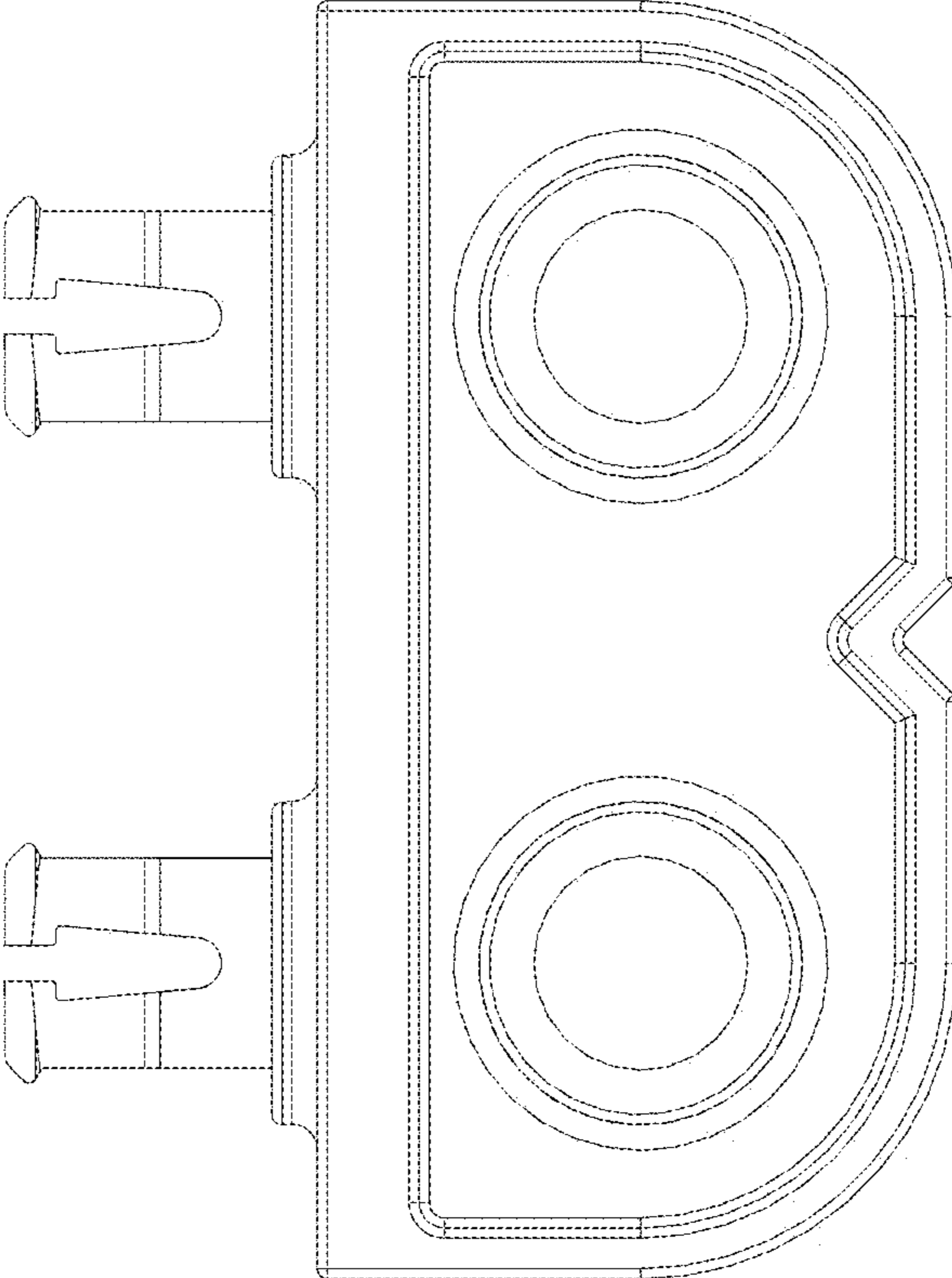


FIGURE 5

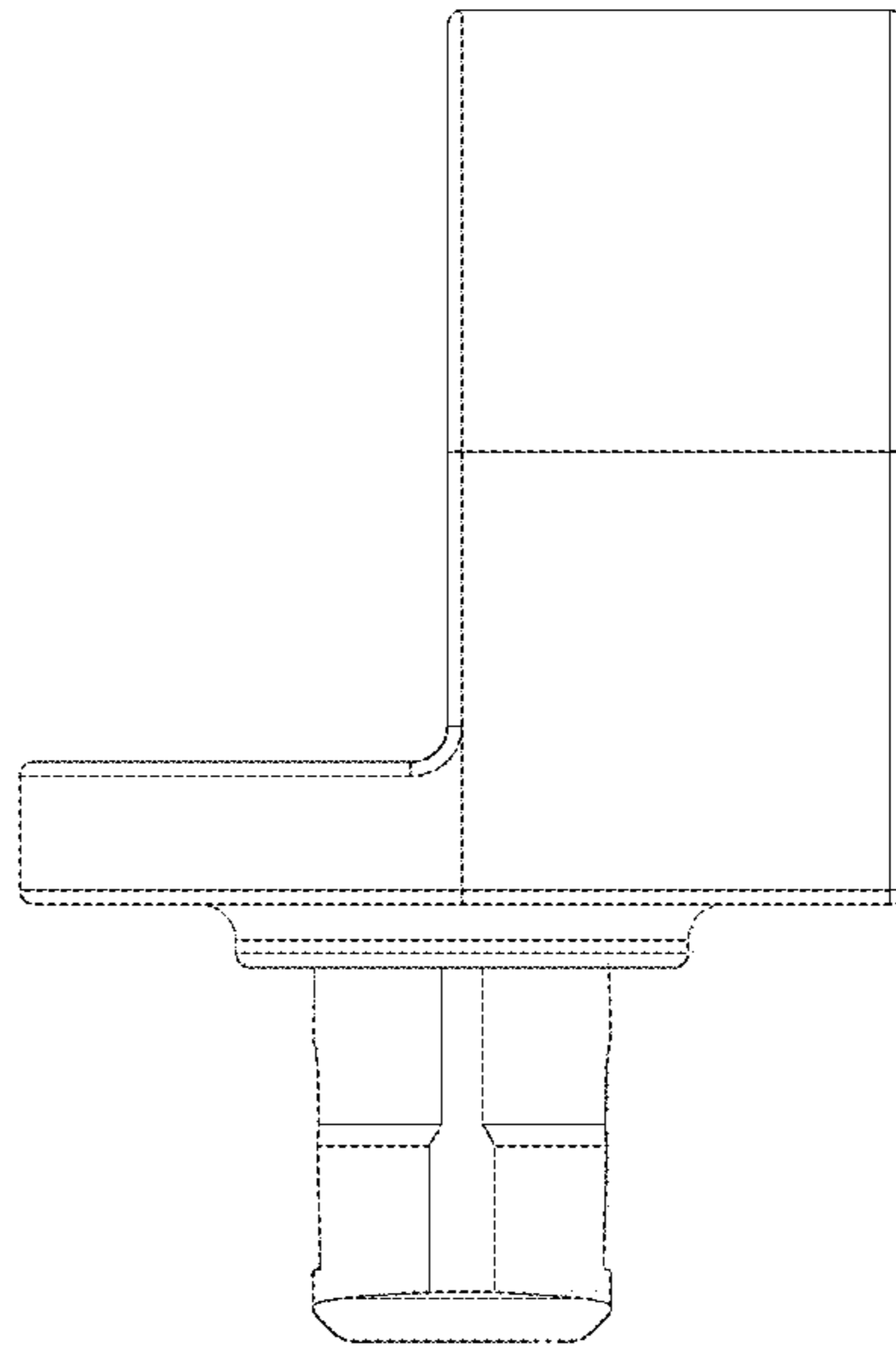


FIGURE 6

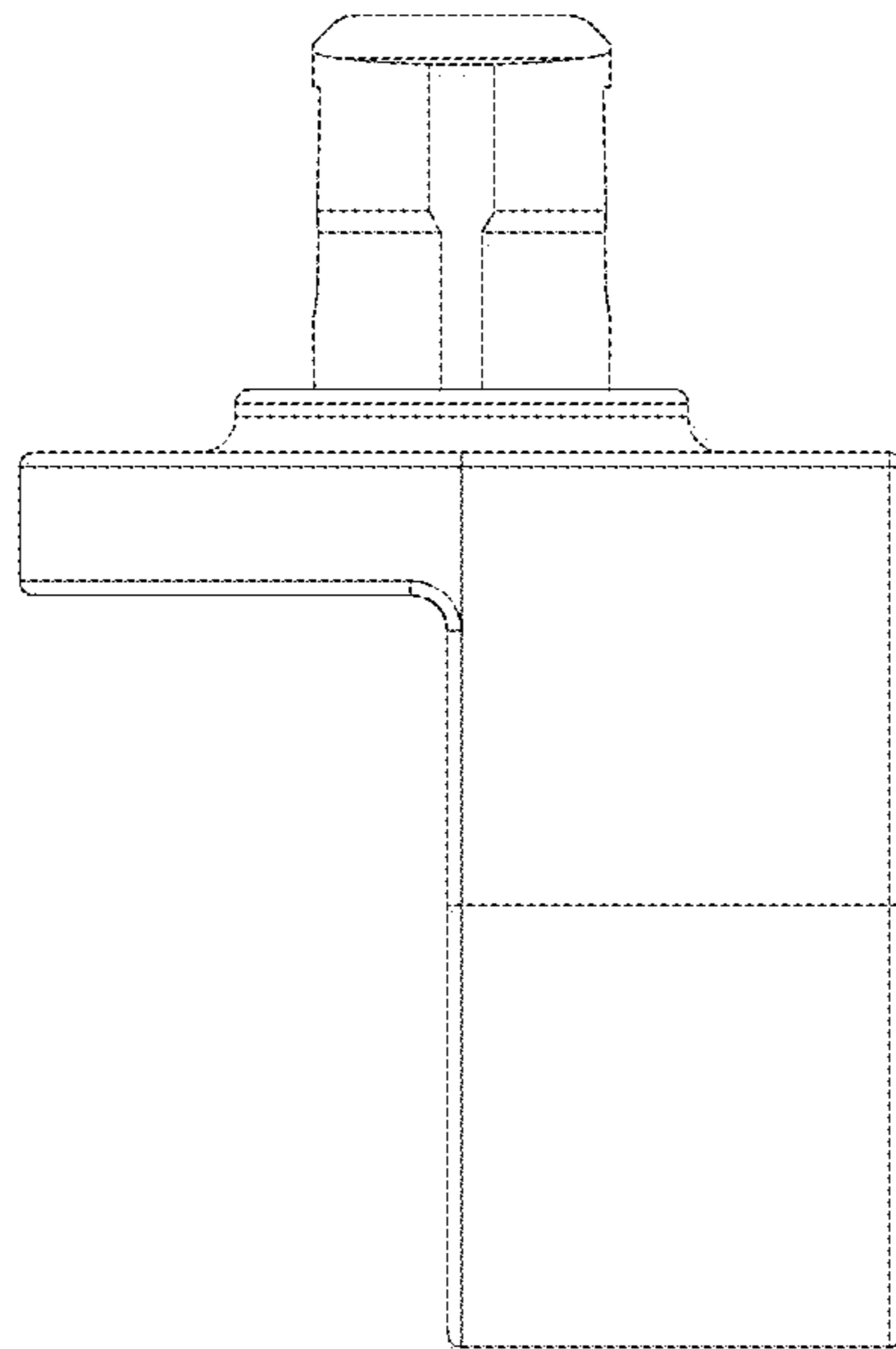


FIGURE 7

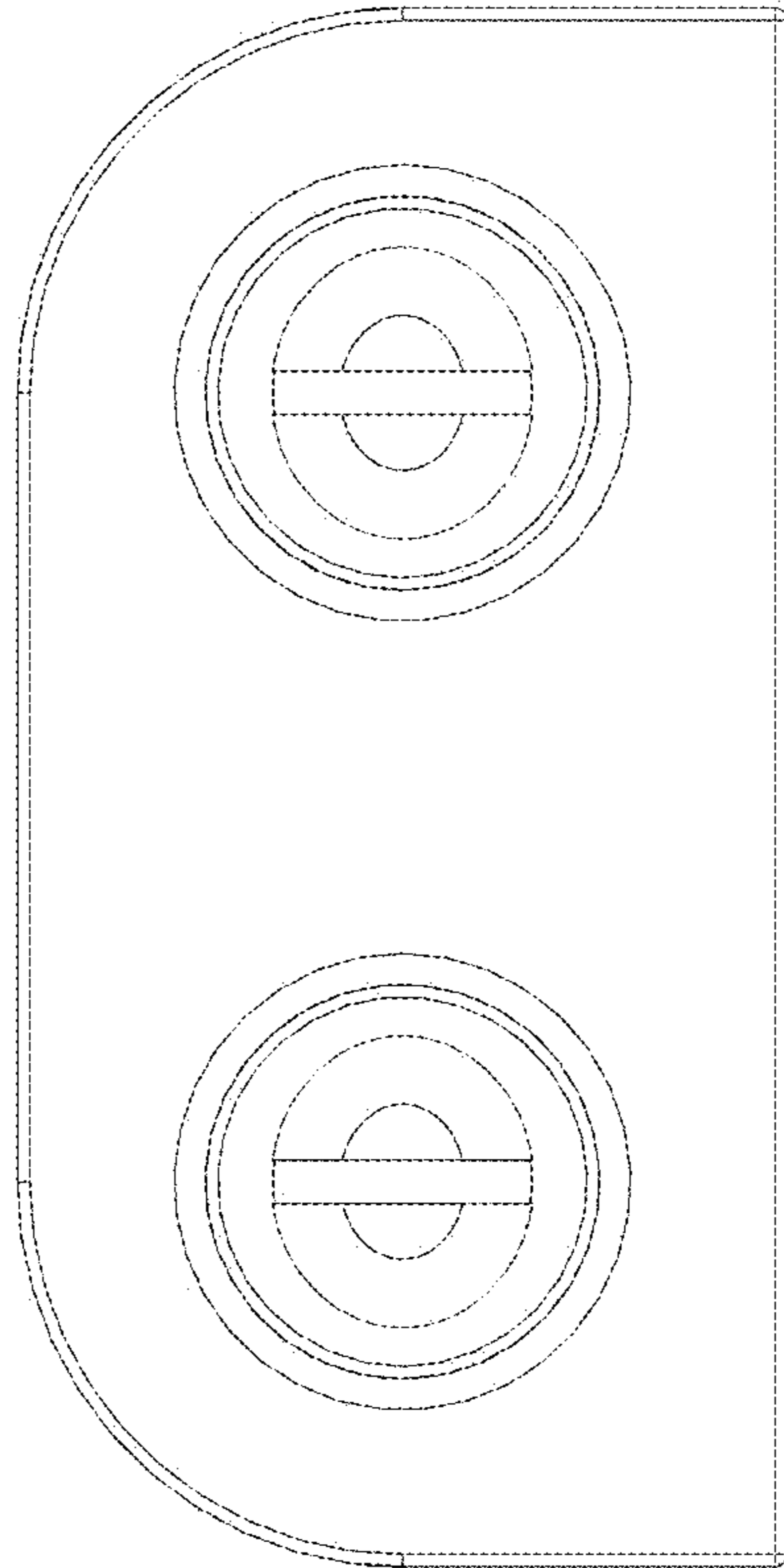


FIGURE 8

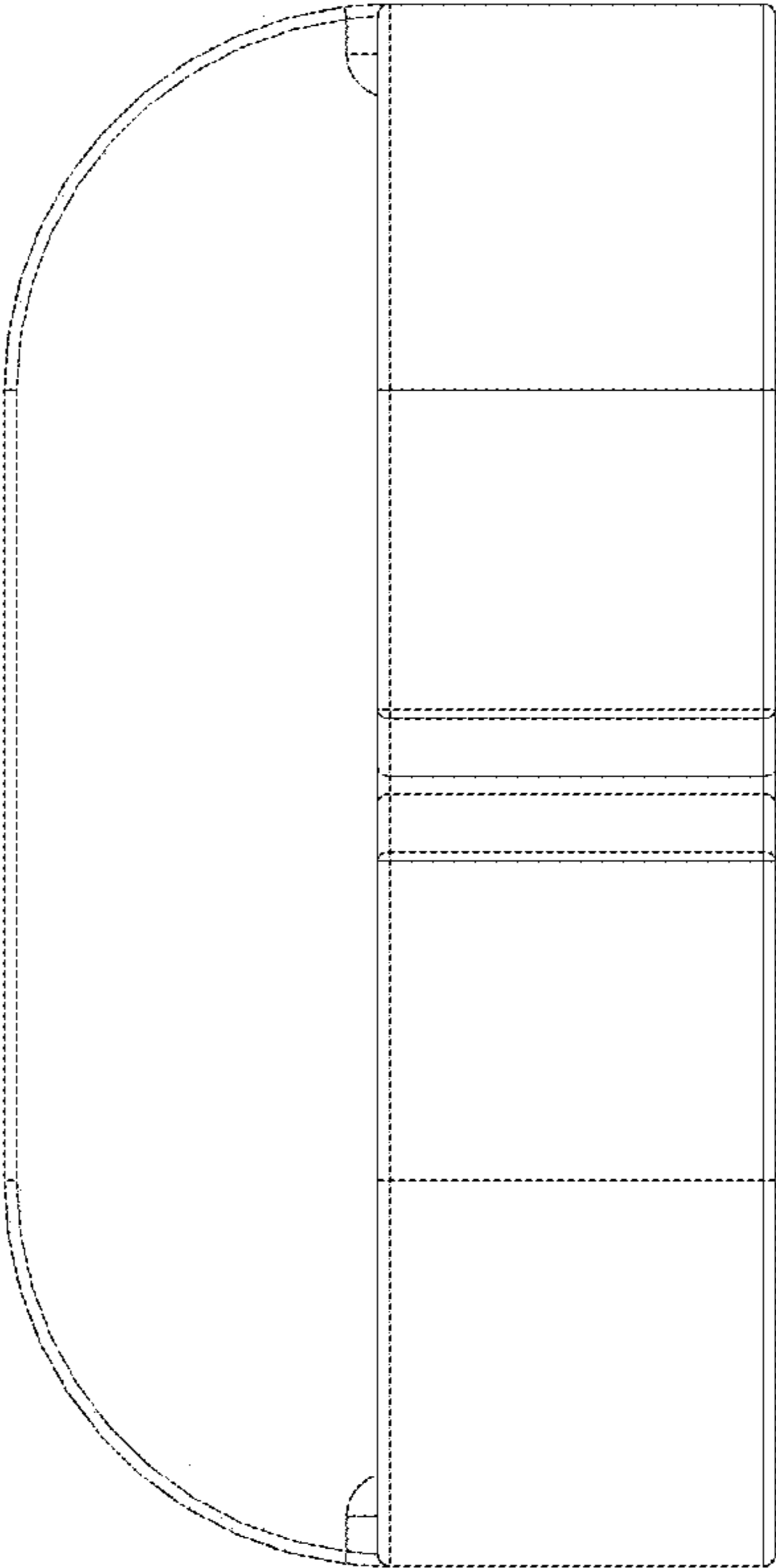


FIGURE 9