



US00D711977S

(12) **United States Design Patent**
Norman et al.

(10) **Patent No.:** **US D711,977 S**

(45) **Date of Patent:** **** Aug. 26, 2014**

(54) **CORNER CONNECTOR COMPONENT FOR A CONSTRUCTION KIT**

(71) Applicant: **Innovation First, Inc.**, Greenville, TX (US)

(72) Inventors: **David Anthony Norman**, Greenville, TX (US); **Robert H. Mimplitch, III**, Rowlett, TX (US); **Paul David Copioli**, Rockwall, TX (US); **Gregory James Lavender**, Rockwall, TX (US); **Aren Calder Hill**, Rockford, IL (US); **Douglas Michael Galletti**, Allen, TX (US); **John Edward Vielkind-Neun**, Rockwall, TX (US); **Arthur Philip Dutra, IV**, Greenville, TX (US)

(73) Assignee: **Innovation First, Inc.**, Greenville, TX (US)

(**) Term: **14 Years**

(21) Appl. No.: **29/482,907**

(22) Filed: **Feb. 24, 2014**

Related U.S. Application Data

(62) Division of application No. 29/451,492, filed on Apr. 3, 2013.

(51) **LOC (10) Cl.** **21-01**

(52) **U.S. Cl.**
USPC **D21/503; D21/504**

(58) **Field of Classification Search**
CPC A63H 33/00; A63H 33/04; A63H 33/06; A63H 33/08; A63H 33/10; A63H 33/12; A63H 33/14; A63F 9/08; A63F 9/12; G09B 1/36
USPC D21/49-495, 500-505; D8/354, 382; 446/69, 89, 92, 102-128; 434/259, 434/208, 403; 52/503; 273/153, 156, 160
See application file for complete search history.

(56) **References Cited**

U.S. PATENT DOCUMENTS

D174,951 S *	6/1955	Frishberg	D21/503
D311,680 S *	10/1990	Miall	D8/382
D355,843 S *	2/1995	Kuwata	D8/382
D384,988 S *	10/1997	Schmidt	D21/503
D410,044 S *	5/1999	Krog	D21/503
D510,753 S *	10/2005	Paterson	D21/503
D528,609 S *	9/2006	Kossmann	D21/503
D641,055 S *	7/2011	Andersen	D21/504
D690,370 S *	9/2013	Macadam	D21/502

* cited by examiner

Primary Examiner — Cynthia M Chin

(74) *Attorney, Agent, or Firm* — Adam K. Sacharoff; Much Shelist

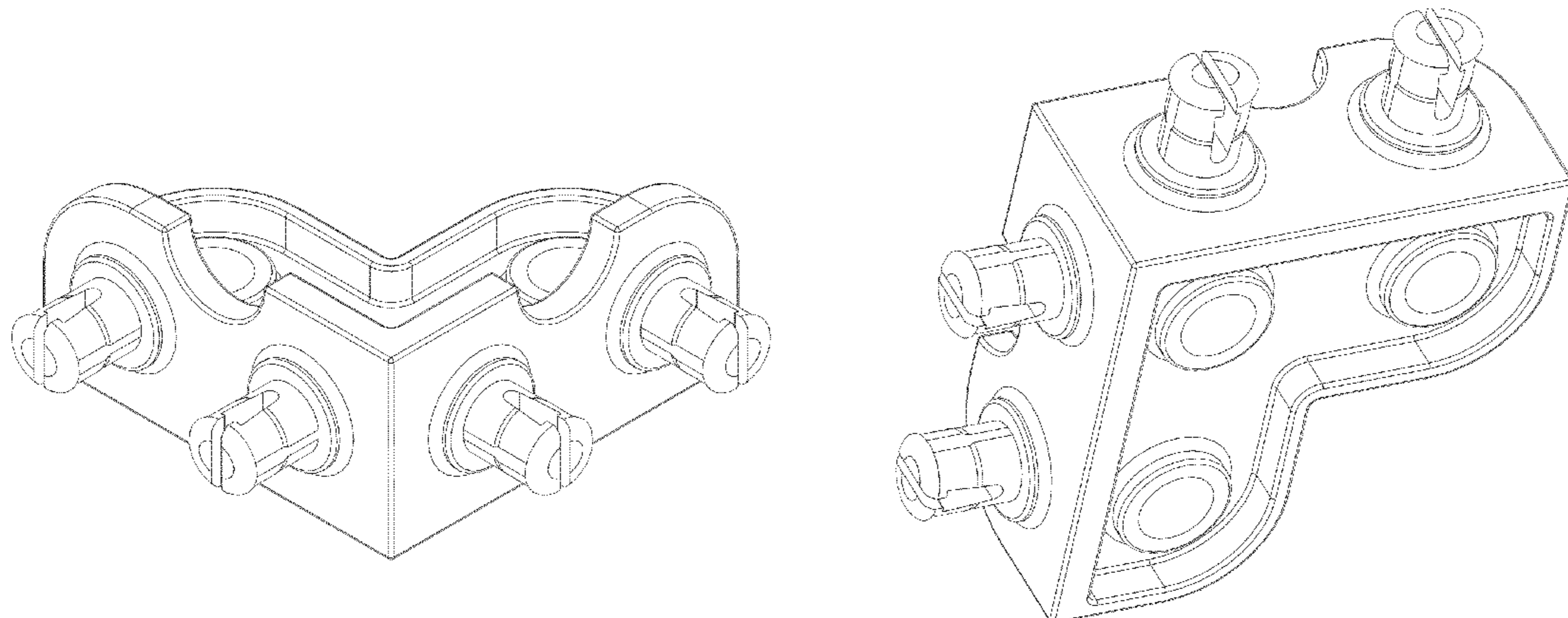
(57) **CLAIM**

The ornamental design for a corner connector component for a construction kit, as shown and described.

DESCRIPTION

FIG. 1 is a front-top perspective view of a corner connector component for a construction kit in accordance with the present invention;
FIG. 2 is a rear-top perspective view of FIG. 1;
FIG. 3 is a front-bottom perspective view of FIG. 1;
FIG. 4 is a top side view of FIG. 1;
FIG. 5 is a bottom side view of FIG. 1;
FIG. 6 is a right side view of FIG. 1;
FIG. 7 is a left side view of FIG. 1;
FIG. 8 is a front side view of FIG. 1; and,
FIG. 9 is a rear side view of FIG. 1.
The broken lines are for environmental purposes only and form no part of the claimed design.

1 Claim, 9 Drawing Sheets



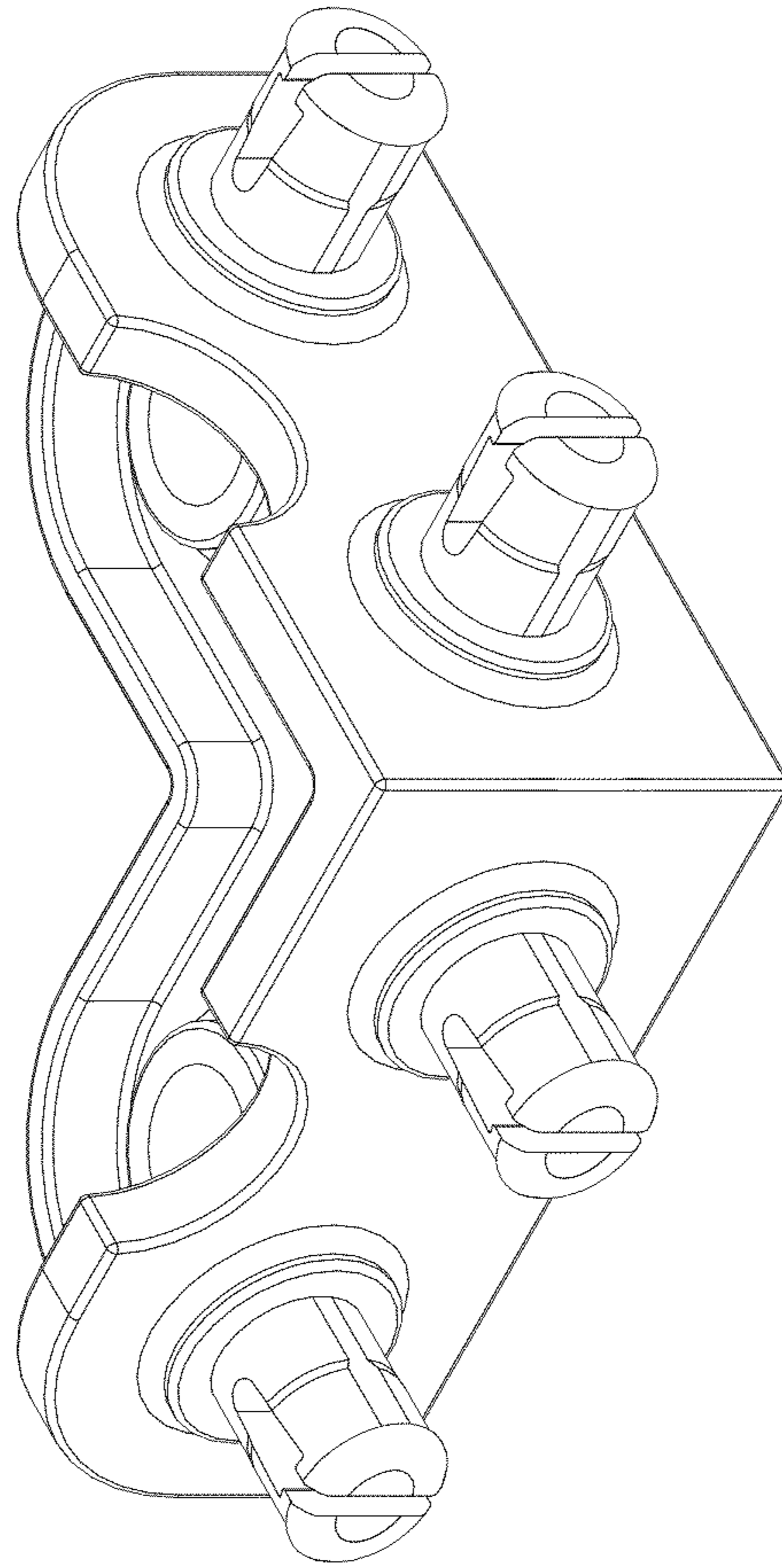


FIGURE 1

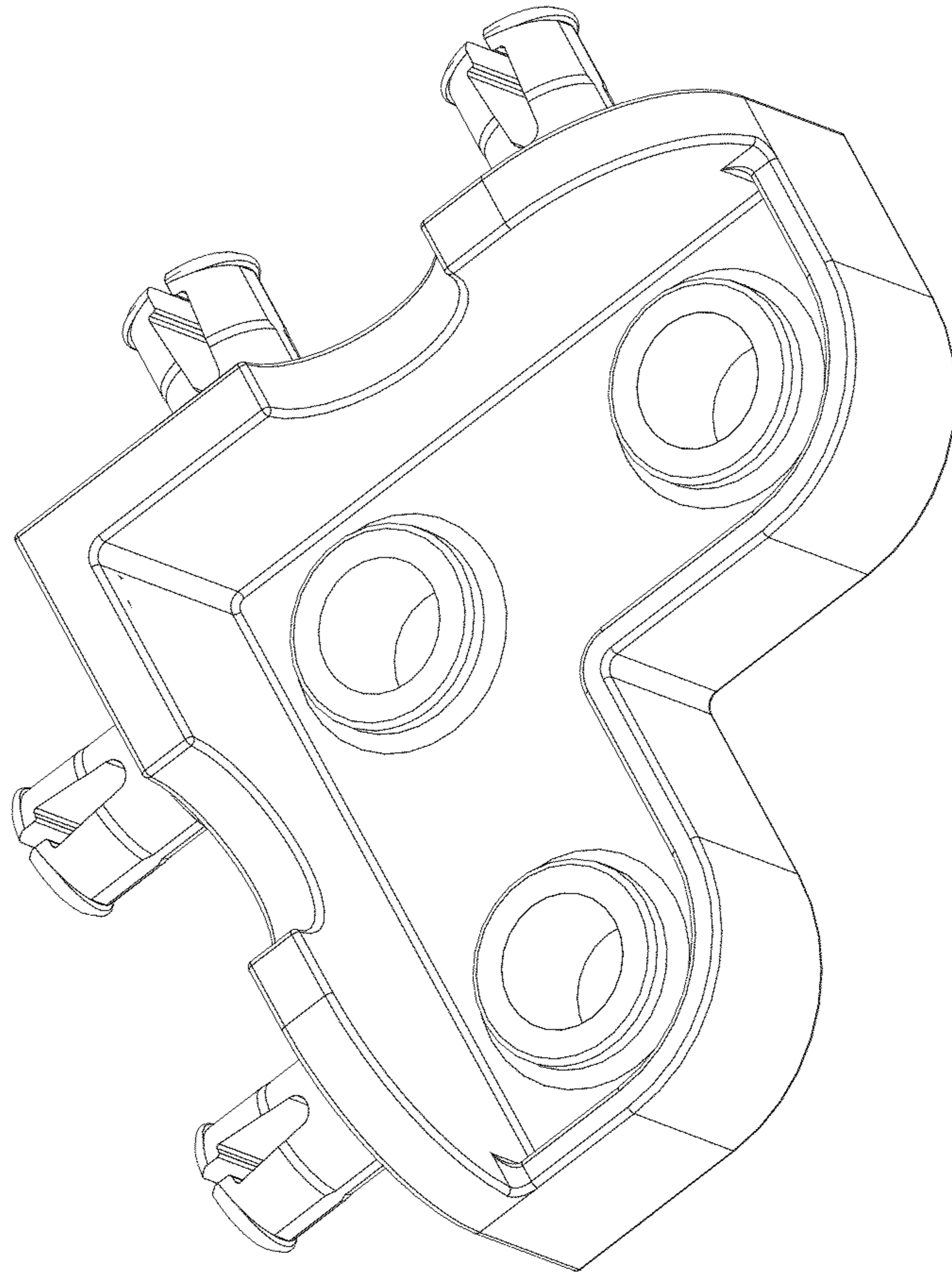


FIGURE 2

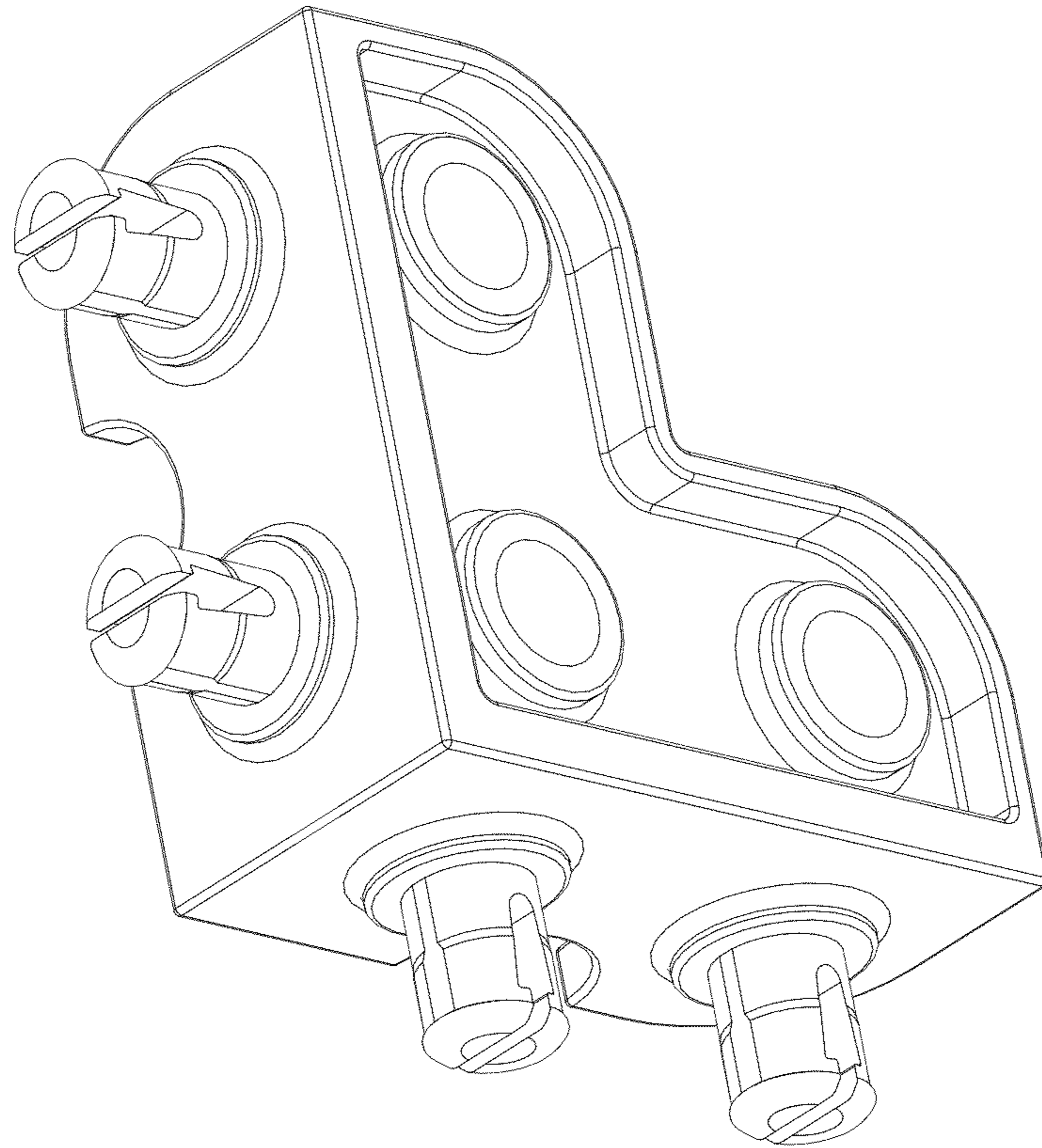


FIGURE 3

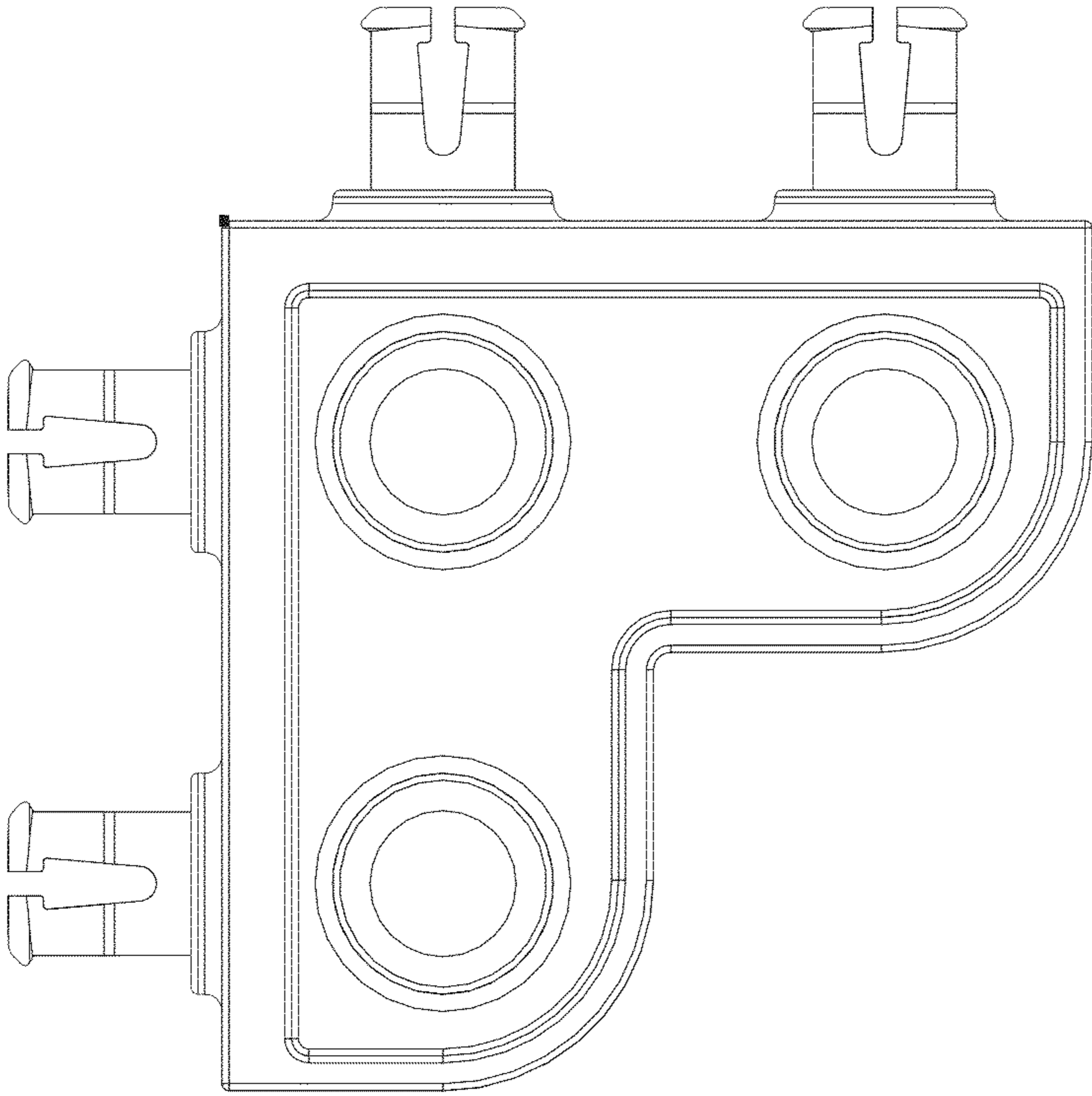


FIGURE 4

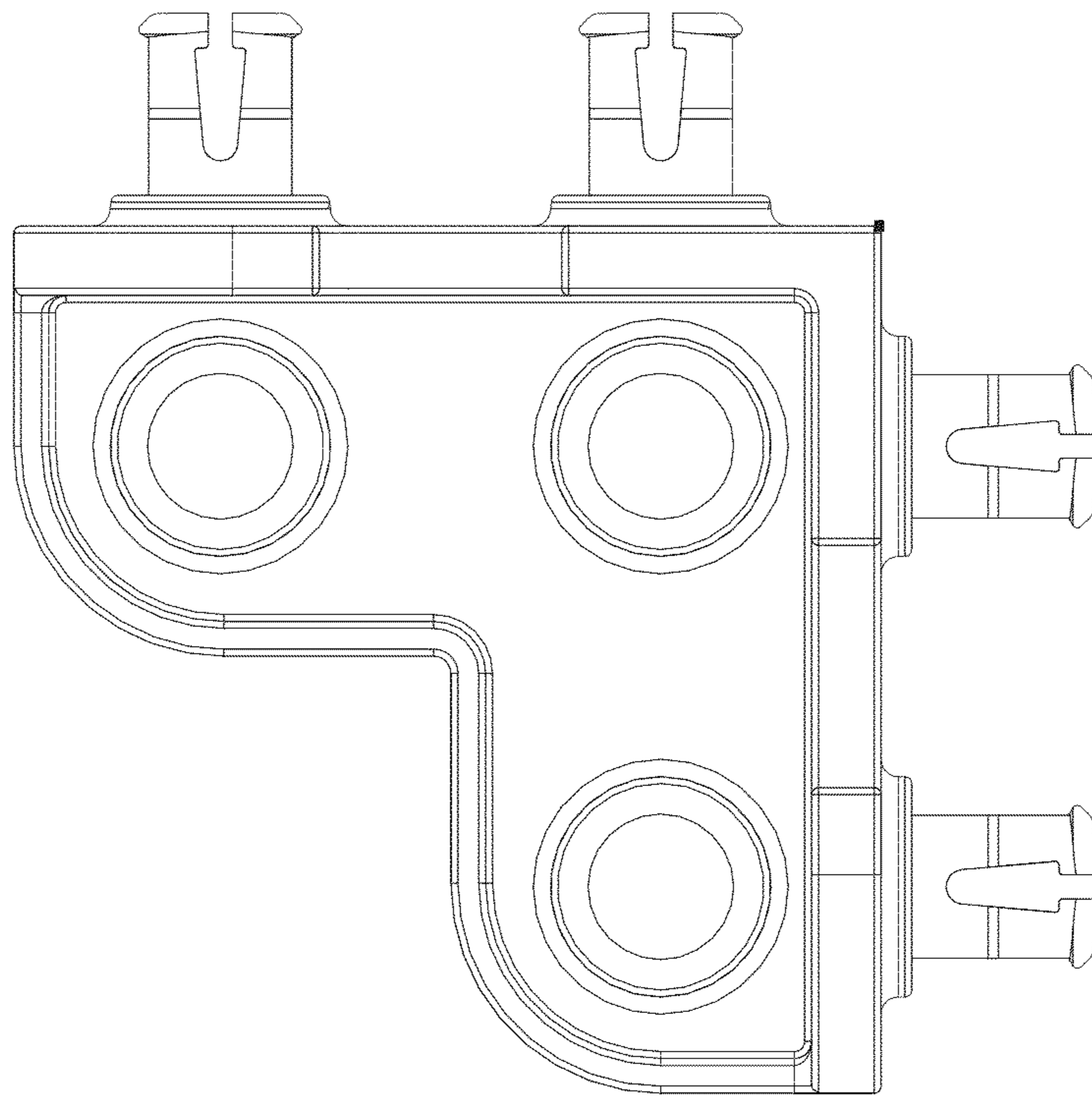


FIGURE 5

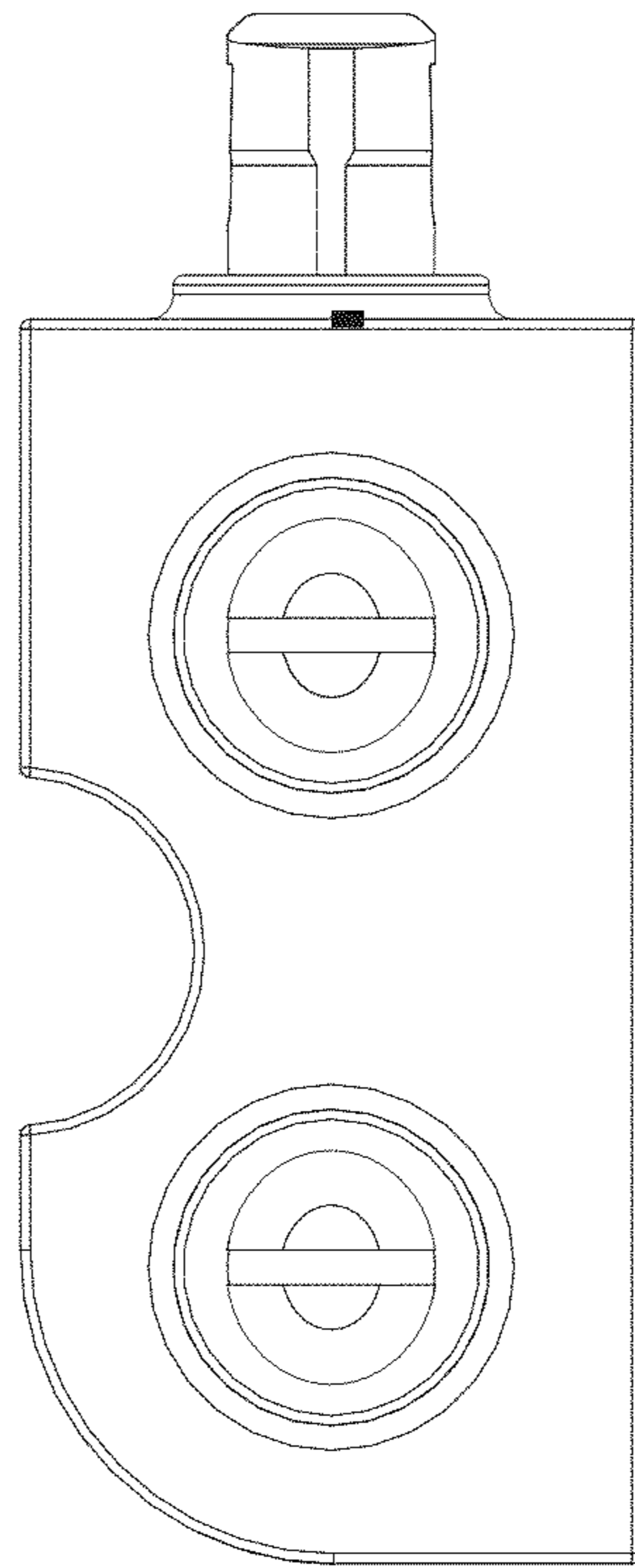


FIGURE 6

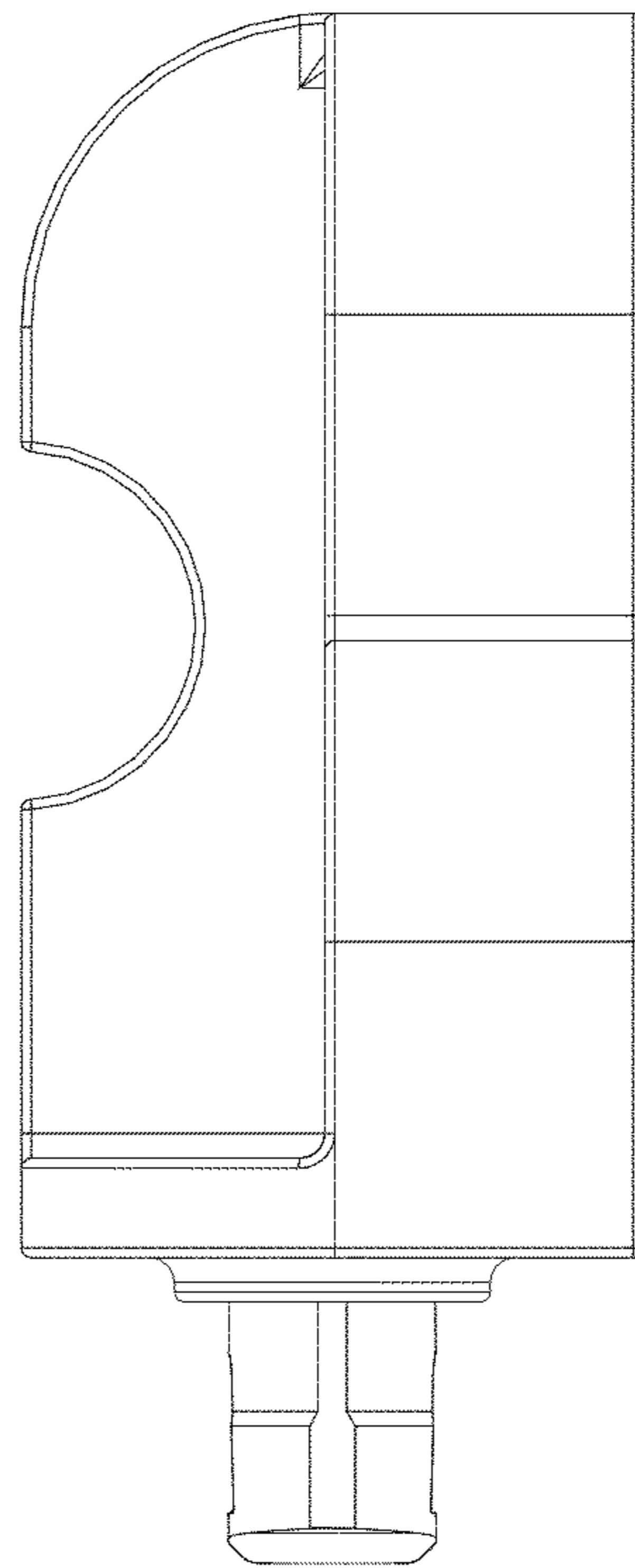


FIGURE 7

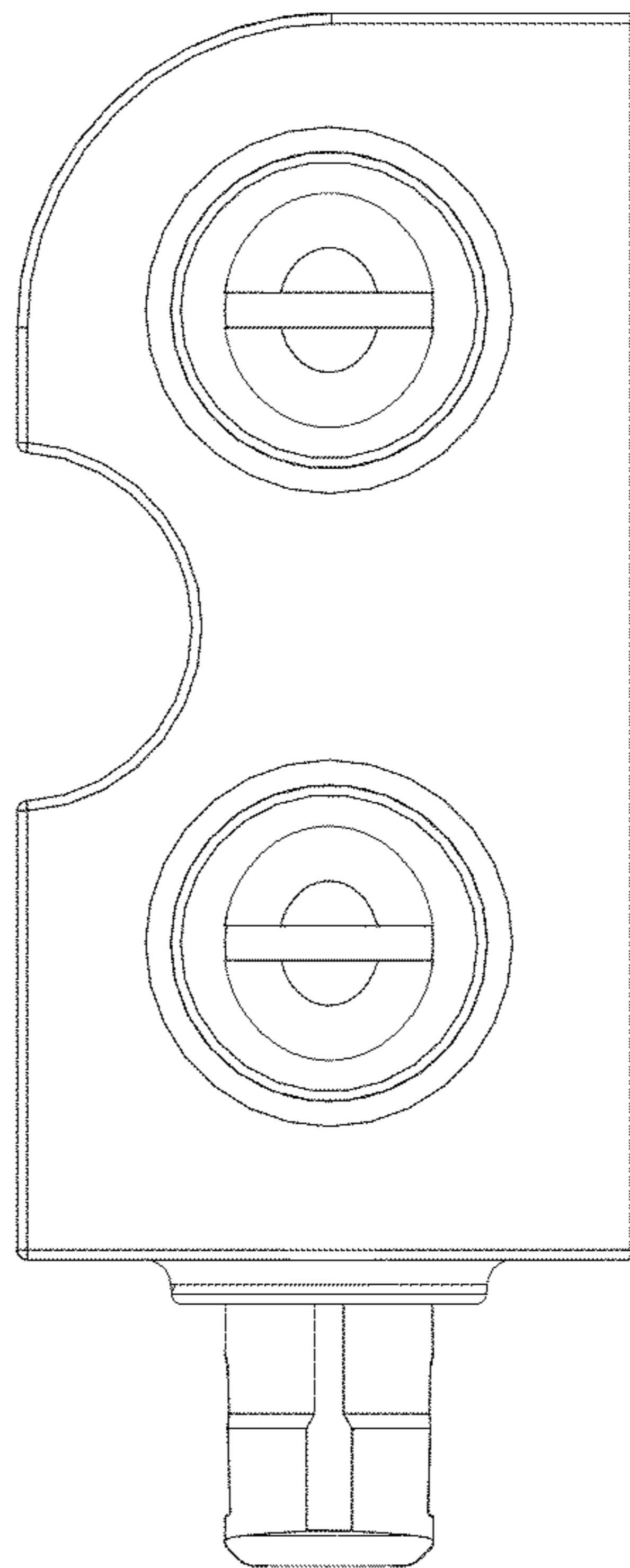


FIGURE 8

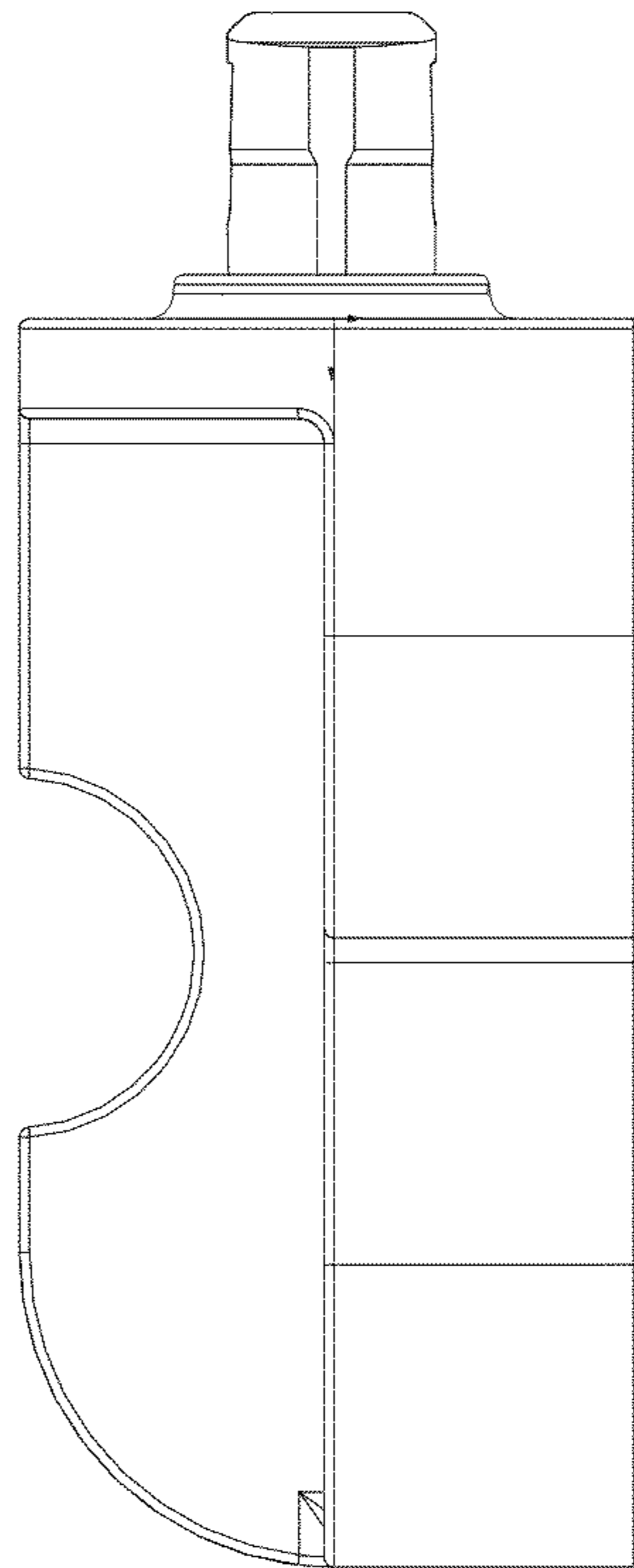


FIGURE 9