



US00D711976S

(12) **United States Design Patent**  
**Norman et al.**

(10) **Patent No.:** **US D711,976 S**

(45) **Date of Patent:** **\*\* Aug. 26, 2014**

(54) **BEAM COMPONENT FOR A CONSTRUCTION KIT**

(71) Applicant: **Innovation First, Inc.**, Greenville, TX (US)

(72) Inventors: **David Anthony Norman**, Greenville, TX (US); **Robert H. Mimplitch, III**, Rowlett, TX (US); **Paul David Copioli**, Rockwall, TX (US); **Gregory James Lavender**, Rockwall, TX (US); **Aren Calder Hill**, Rockford, IL (US); **Douglas Michael Galleti**, Allen, TX (US); **John Edward Vielkind-Neun**, Rockwall, TX (US); **Arthur Philip Dutra, IV**, Greenville, TX (US)

(73) Assignee: **Innovation First, Inc.**, Greenville, TX (US)

(\*\*) Term: **14 Years**

(21) Appl. No.: **29/482,735**

(22) Filed: **Feb. 21, 2014**

**Related U.S. Application Data**

(62) Division of application No. 29/451,636, filed on Apr. 5, 2013.

(51) **LOC (10) Cl.** ..... **21-01**

(52) **U.S. Cl.**  
USPC ..... **D21/503**; D21/486

(58) **Field of Classification Search**  
CPC ..... A63H 33/00; A63H 33/04; A63H 33/06;  
A63H 33/08; A63H 33/10; A63H 33/12;  
A63H 33/14; A63F 9/08; A63F 9/12; G09B  
1/36  
USPC ..... D21/484, 485, 486, 488, 489, 491, 494,  
D21/495, 499, 500-504; 446/69, 85,  
446/102-128; 434/208, 259, 403; 273/153,  
273/156, 160

See application file for complete search history.

(56) **References Cited**

**U.S. PATENT DOCUMENTS**

D359,999 S *	7/1995	Schmidt et al. ....	D21/486
D374,257 S *	10/1996	Schmidt et al. ....	D21/486
D394,091 S *	5/1998	Parry .....	D21/486
D396,499 S *	7/1998	Larws .....	D21/484
D517,615 S *	3/2006	Kim .....	D21/486
D528,170 S *	9/2006	Kim .....	D21/486
D532,054 S *	11/2006	Kim .....	D21/486
D687,108 S *	7/2013	Thygesen .....	D21/486
D693,416 S *	11/2013	Webb .....	D21/486

\* cited by examiner

*Primary Examiner* — Cynthia M Chin

(74) *Attorney, Agent, or Firm* — Adam K. Sacharoff; Much Shelist

(57) **CLAIM**

The ornamental design for a beam component for a construction kit, as shown and described.

**DESCRIPTION**

FIG. 1 is a front perspective view of a beam component for a construction kit in accordance with our new design;

FIG. 2 is a perspective cross-sectional view taken from line 2-2 of FIG. 1;

FIG. 3 is a rear perspective view of FIG. 1;

FIG. 4 is a top side view of FIG. 1;

FIG. 5 is a bottom side view of FIG. 1;

FIG. 6 is a right side view of FIG. 1;

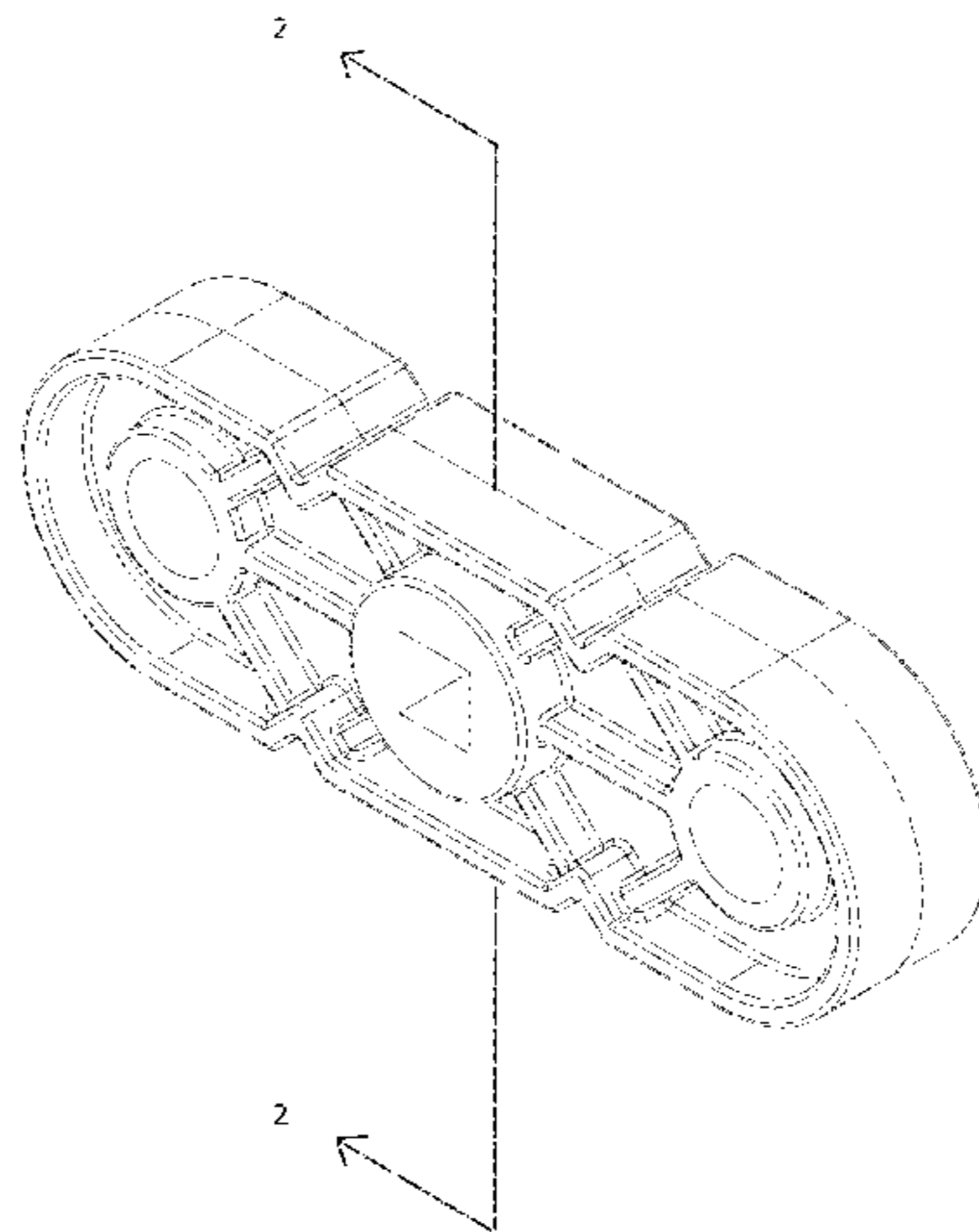
FIG. 7 is a left side view of FIG. 1;

FIG. 8 is a front side view of FIG. 1; and,

FIG. 9 is a rear side view of FIG. 1.

The broken lines are for environmental purposes only and form no part of the claimed design.

**1 Claim, 9 Drawing Sheets**



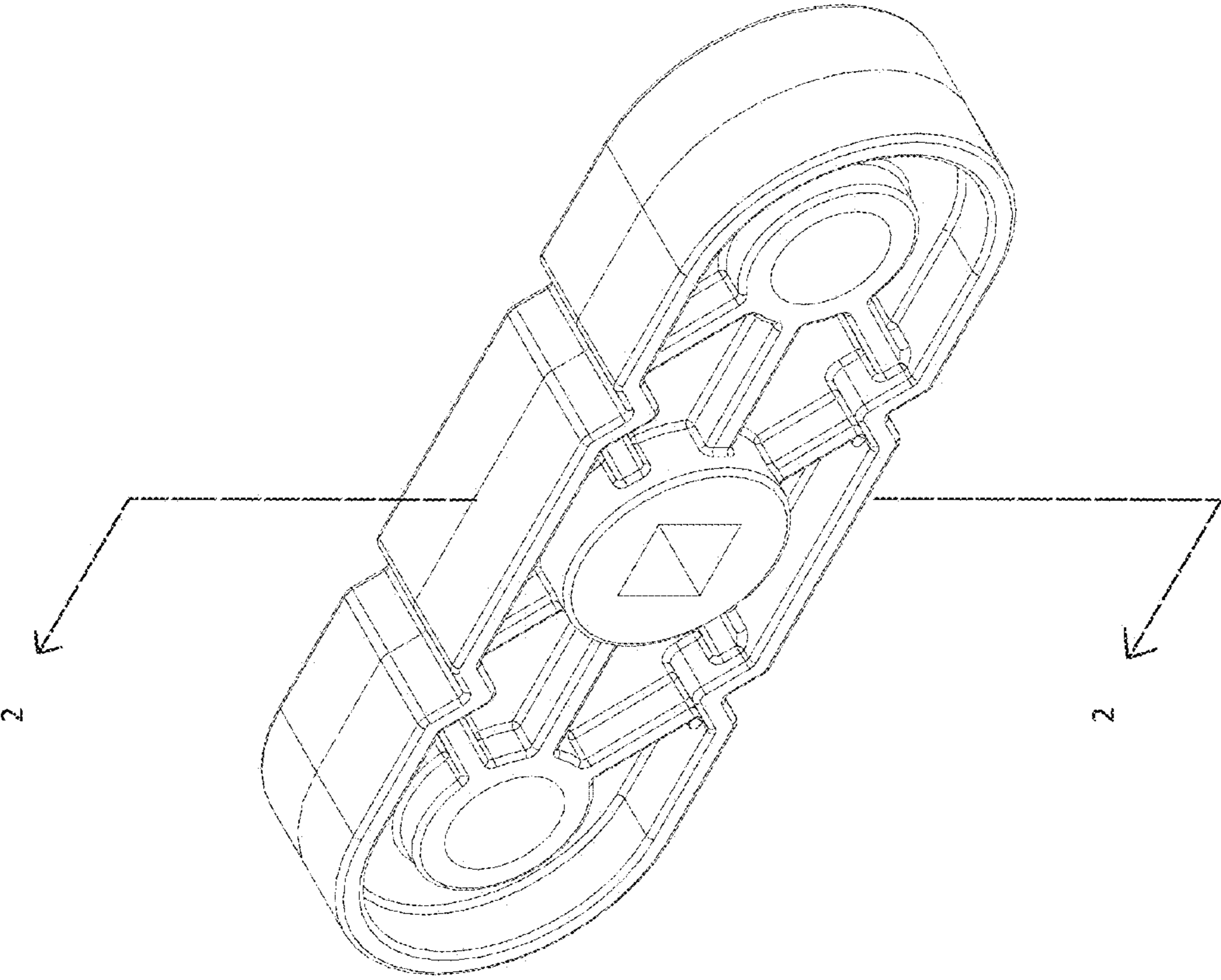


FIGURE 1

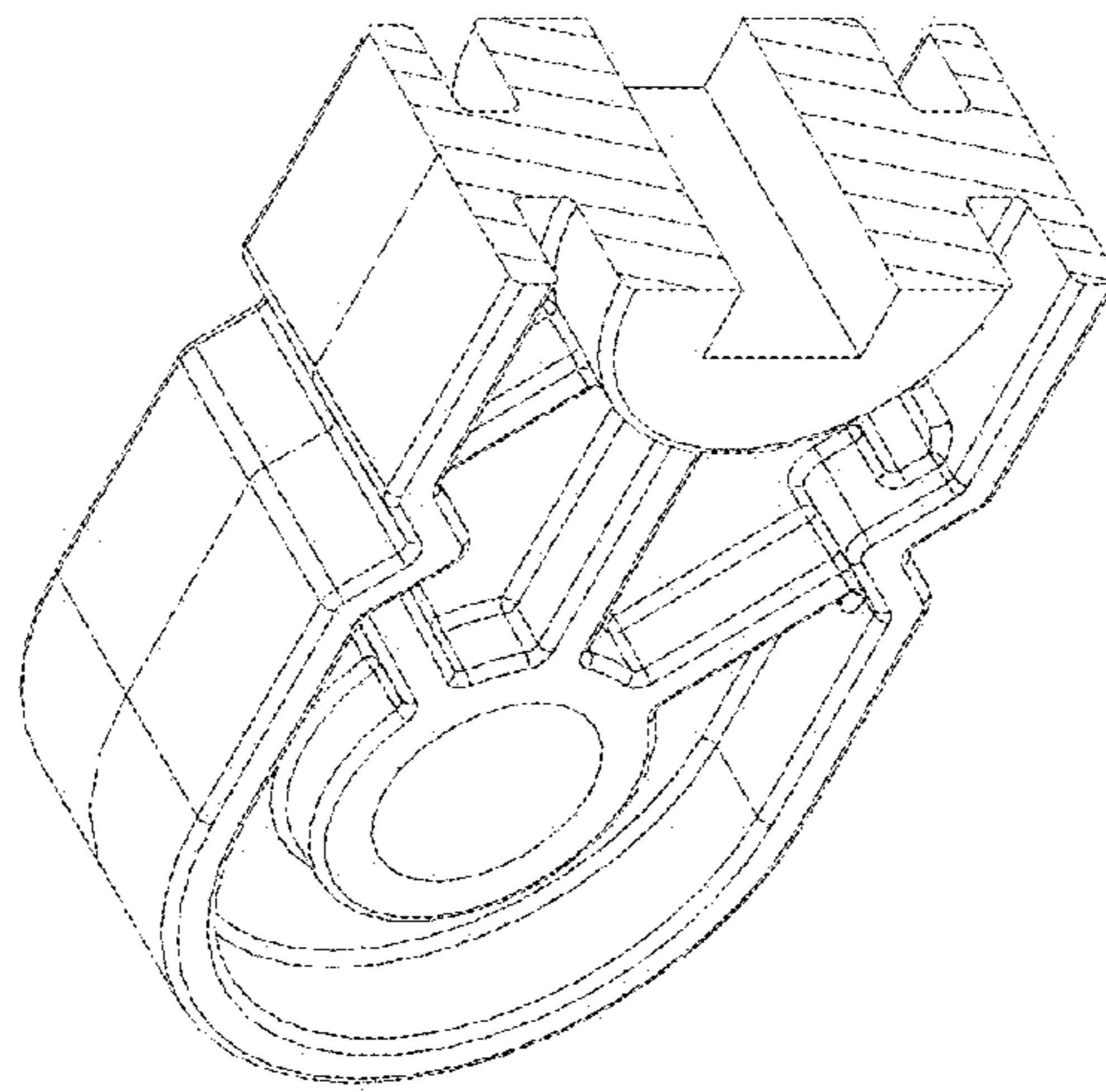


FIGURE 2

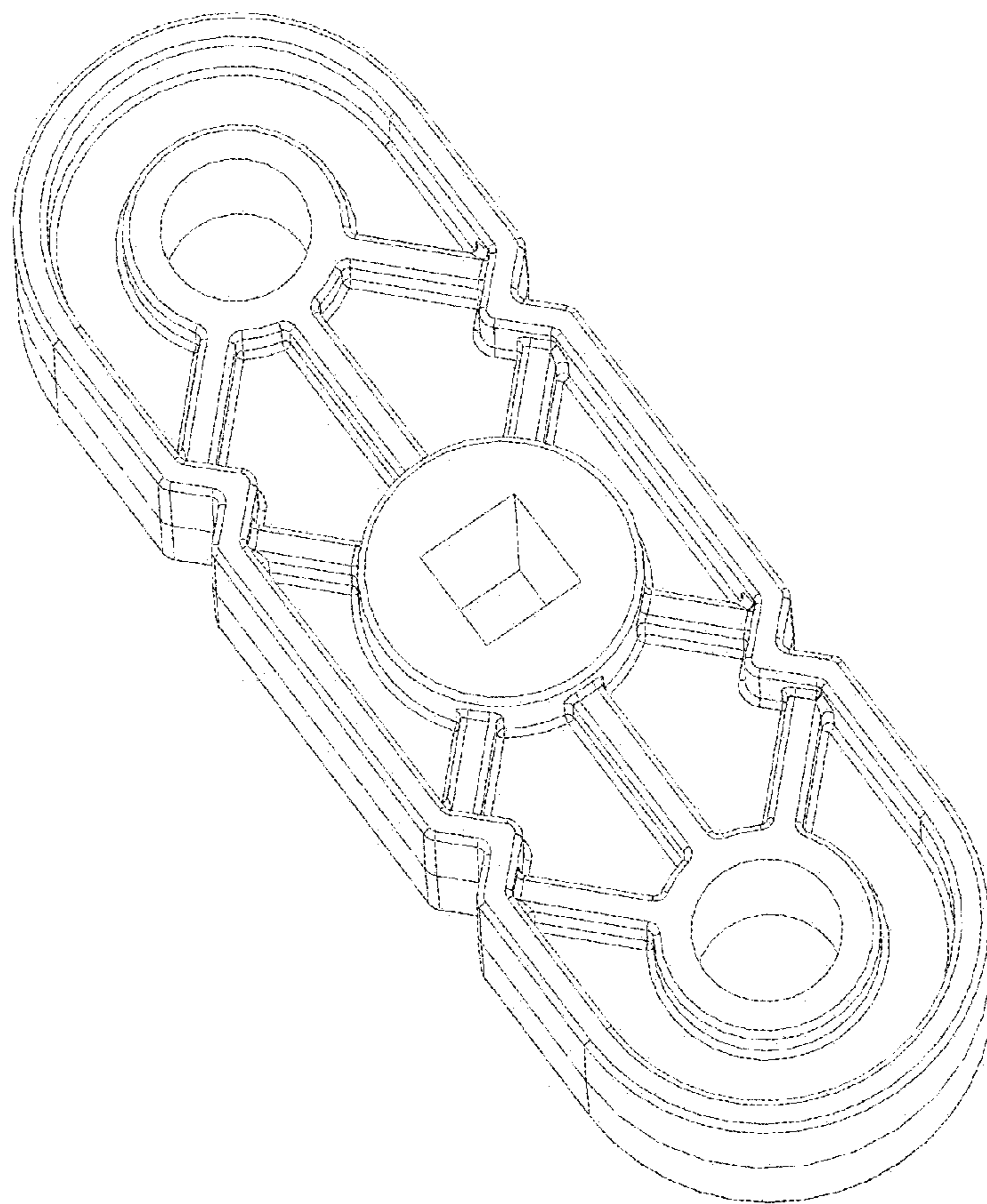
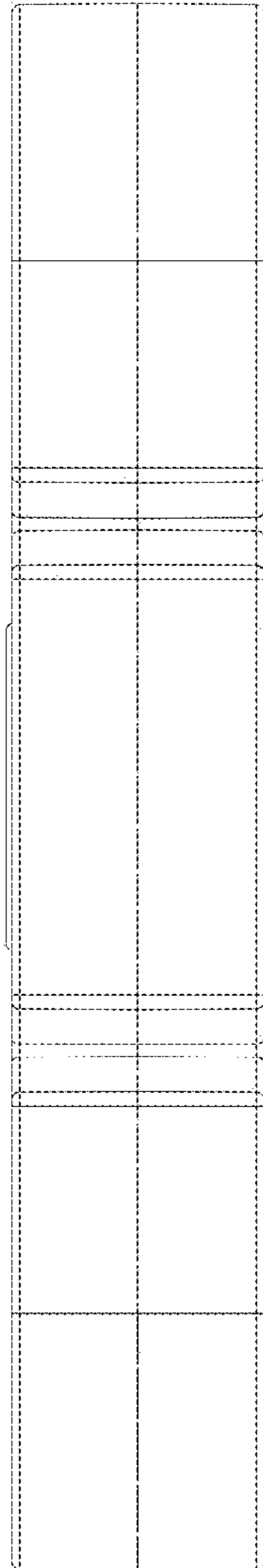
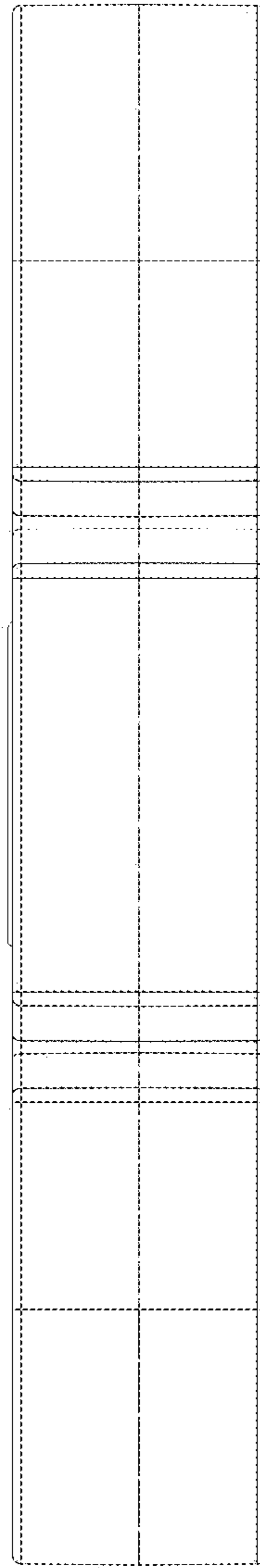


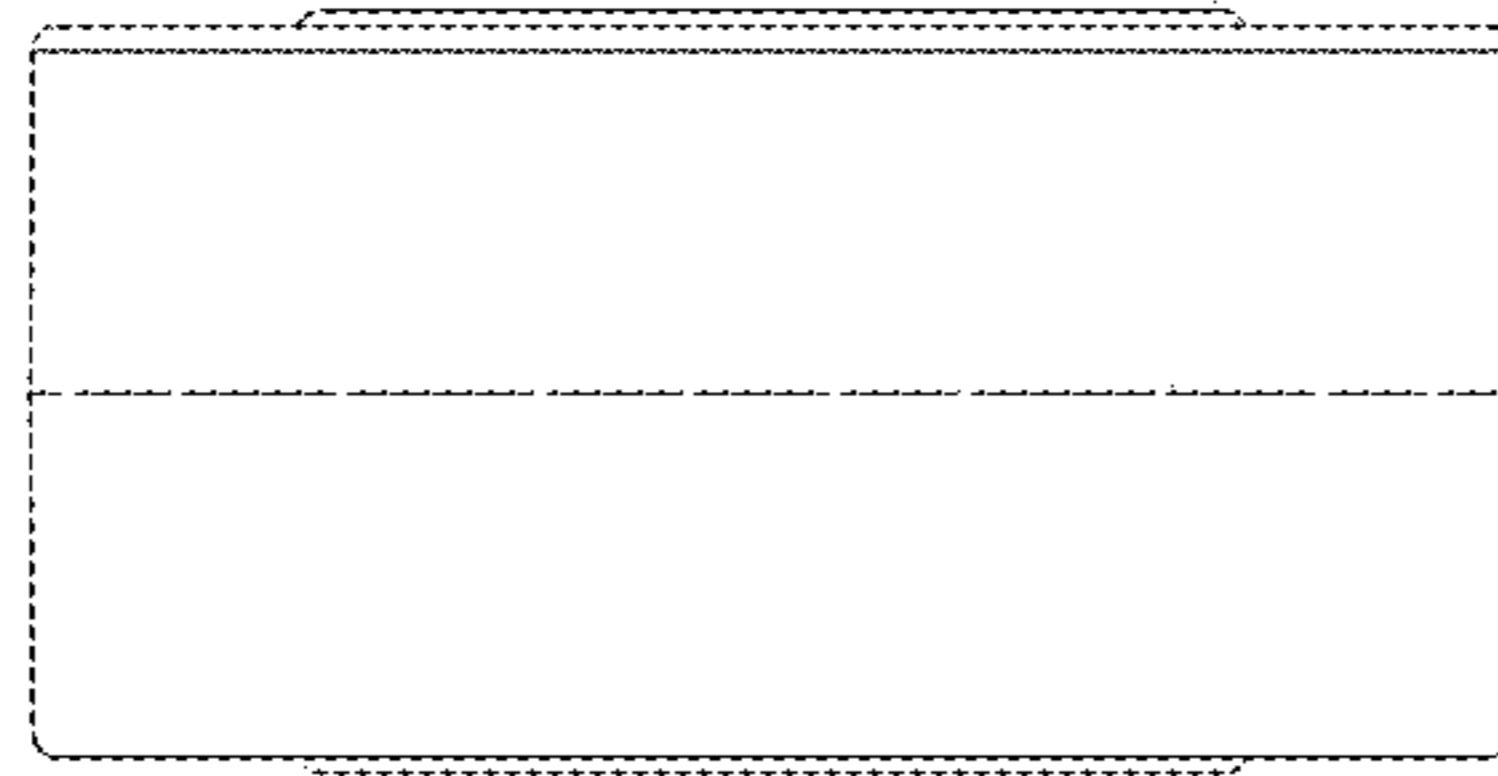
FIGURE 3



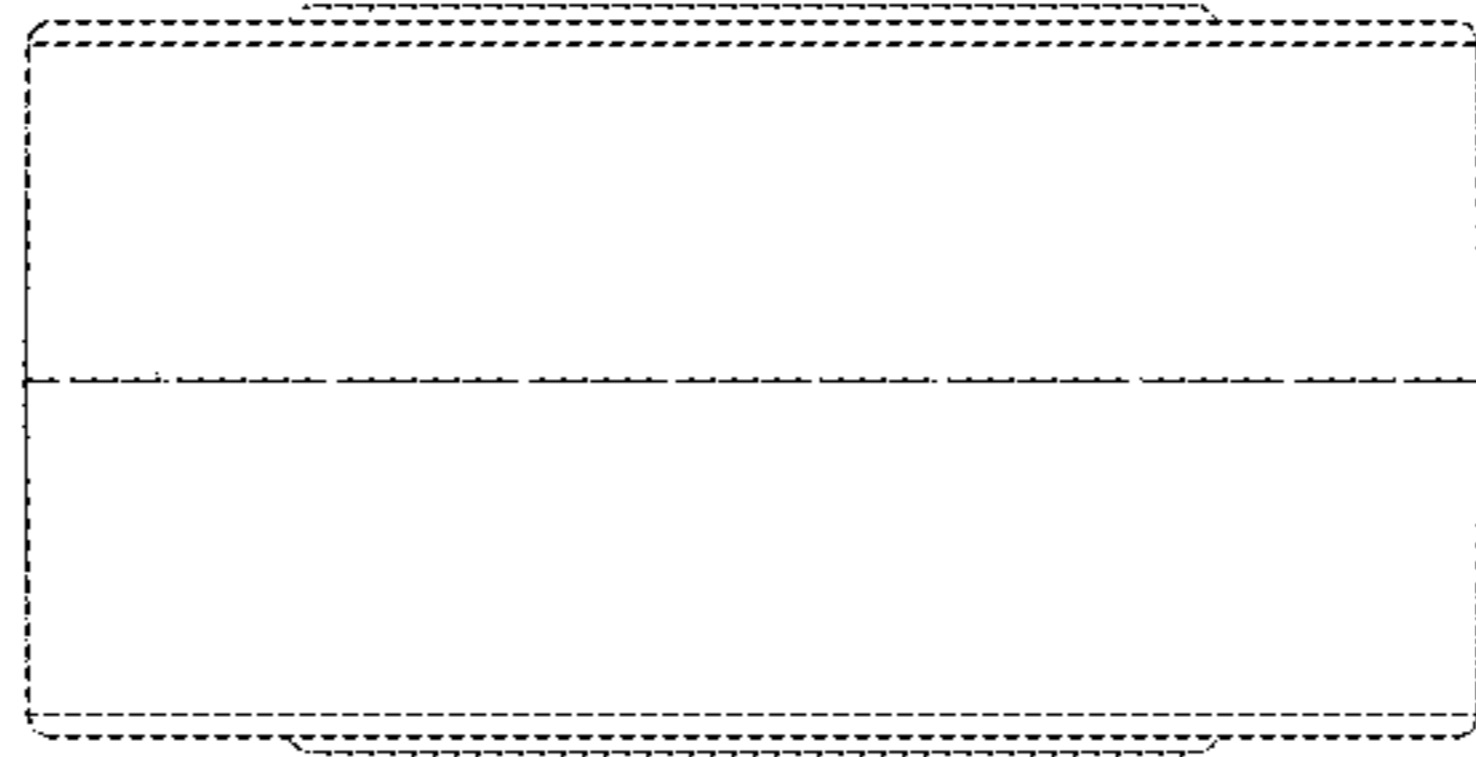
**FIGURE 4**



**FIGURE 5**

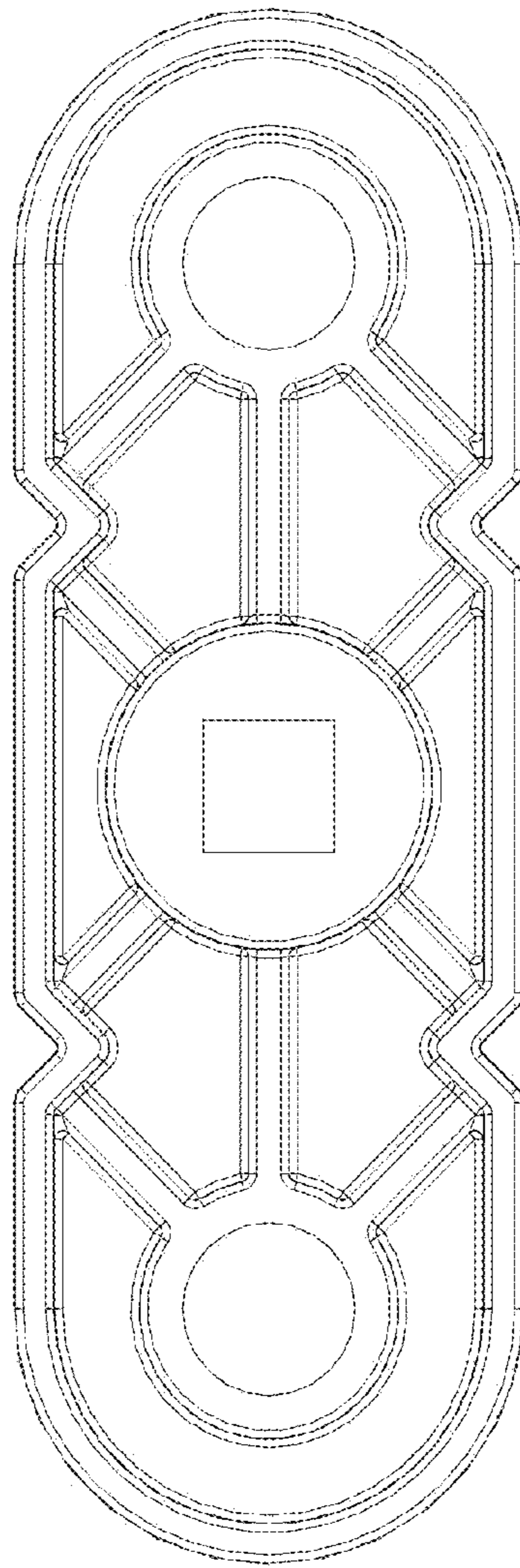


**FIGURE 6**



**FIGURE 7**





**FIGURE 8**

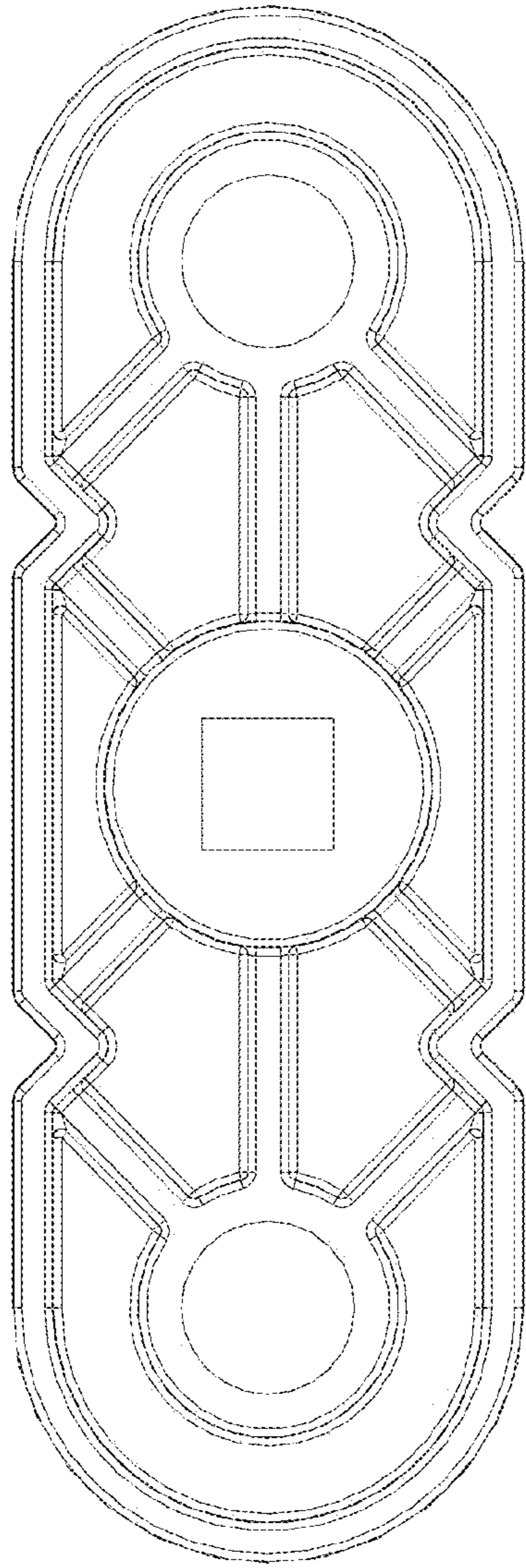


FIGURE 9