



US00D711975S

(12) **United States Design Patent**  
**Norman et al.**

(10) **Patent No.:** **US D711,975 S**

(45) **Date of Patent:** **\*\* Aug. 26, 2014**

(54) **BEAM COMPONENT FOR A CONSTRUCTION KIT**

(71) Applicant: **Innovation First, Inc.**, Greenville, TX (US)

(72) Inventors: **David Anthony Norman**, Greenville, TX (US); **Robert H. Mimplitch, III**, Rowlett, TX (US); **Paul David Copioli**, Rockwall, TX (US); **Gregory James Lavender**, Rockwall, TX (US); **Aren Calder Hill**, Rockford, IL (US); **Douglas Michael Galletti**, Allen, TX (US); **John Edward Vielkind-Neun**, Rockwall, TX (US); **Arthur Philip Dutra, IV**, Greenville, TX (US)

(73) Assignee: **Innovation First, Inc.**, Greenville, TX (US)

(\*\*) Term: **14 Years**

(21) Appl. No.: **29/482,732**

(22) Filed: **Feb. 21, 2014**

**Related U.S. Application Data**

(62) Division of application No. 29/451,636, filed on Apr. 5, 2013.

(51) **LOC (10) Cl.** ..... **21-01**

(52) **U.S. Cl.**

USPC ..... **D21/503**; D21/486

(58) **Field of Classification Search**

CPC ..... A63H 33/00; A63H 33/04; A63H 33/06; A63H 33/08; A63H 33/10; A63H 33/12; A63H 33/14; A63F 9/08; A63F 9/12; G09B 1/36

USPC ..... D21/484, 485, 486, 488, 489, 491, 494, D21/495, 499, 500-504; 446/69, 85, 446/102-128; 434/208, 259, 403; 273/153, 273/156, 160

See application file for complete search history.

(56) **References Cited**

U.S. PATENT DOCUMENTS

D359,999	S	*	7/1995	Schmidt et al.	.....	D21/486
D374,257	S	*	10/1996	Schmidt et al.	.....	D21/486
D394,091	S	*	5/1998	Parry	.....	D21/486
D396,499	S	*	7/1998	Larws	.....	D21/484
D517,615	S	*	3/2006	Kim	.....	D21/486
D528,170	S	*	9/2006	Kim	.....	D21/486
D532,054	S	*	11/2006	Kim	.....	D21/486
D687,108	S	*	7/2013	Thygesen	.....	D21/486
D693,416	S	*	11/2013	Webb	.....	D21/486

\* cited by examiner

*Primary Examiner* — Cynthia M Chin

(74) *Attorney, Agent, or Firm* — Adam K. Sacharoff; Much Shelist

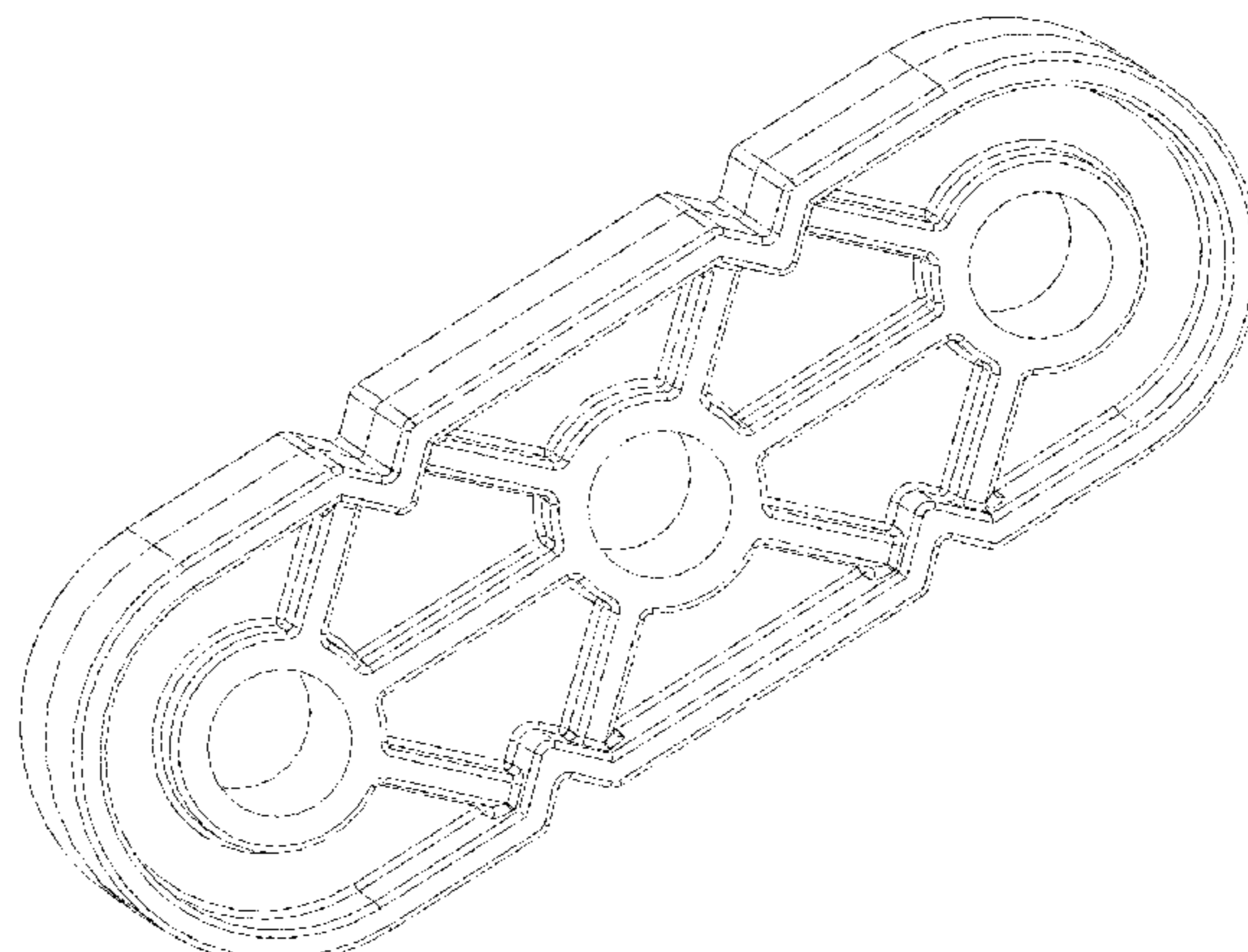
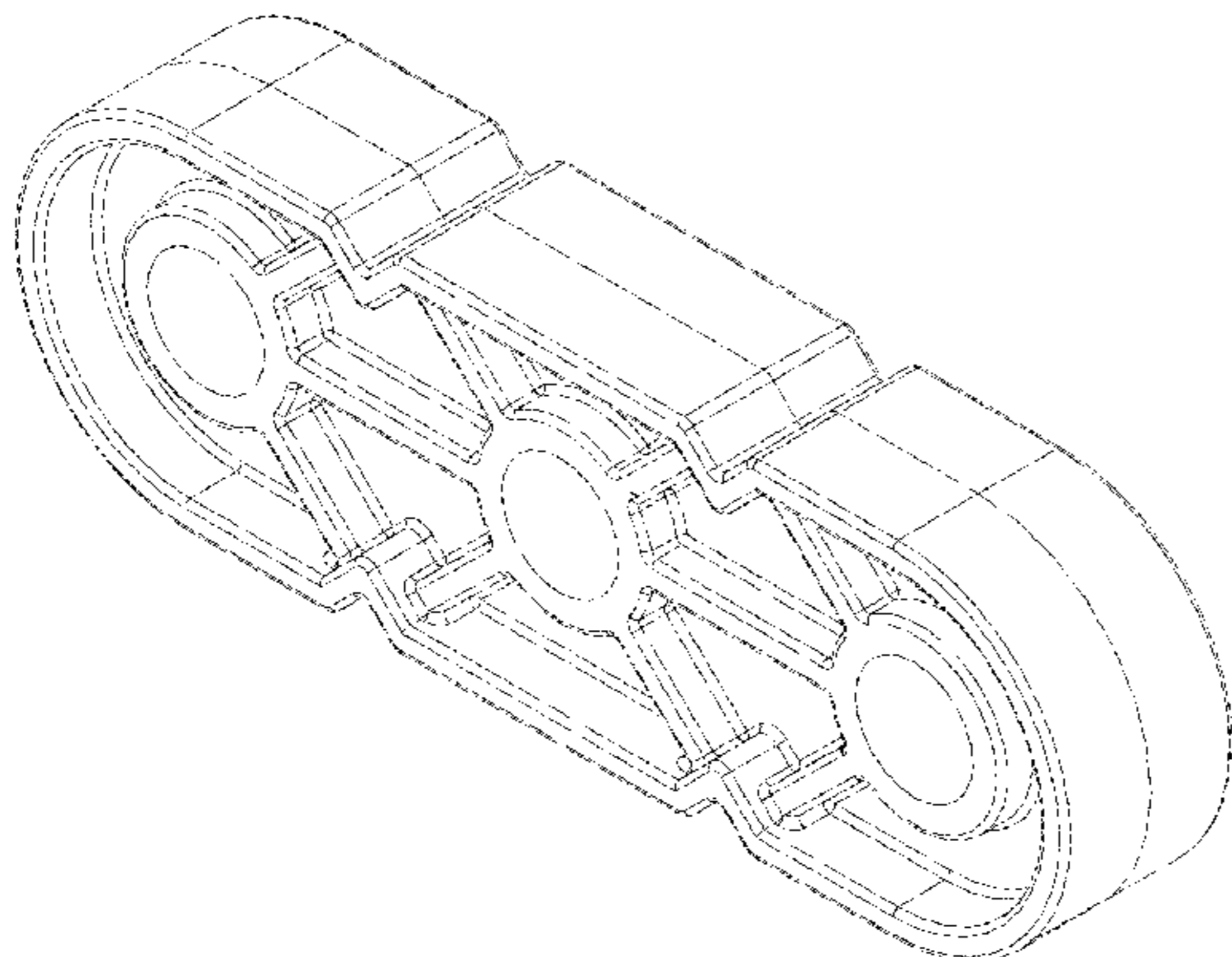
(57) **CLAIM**

The ornamental design for a beam component for a construction kit, as shown and described.

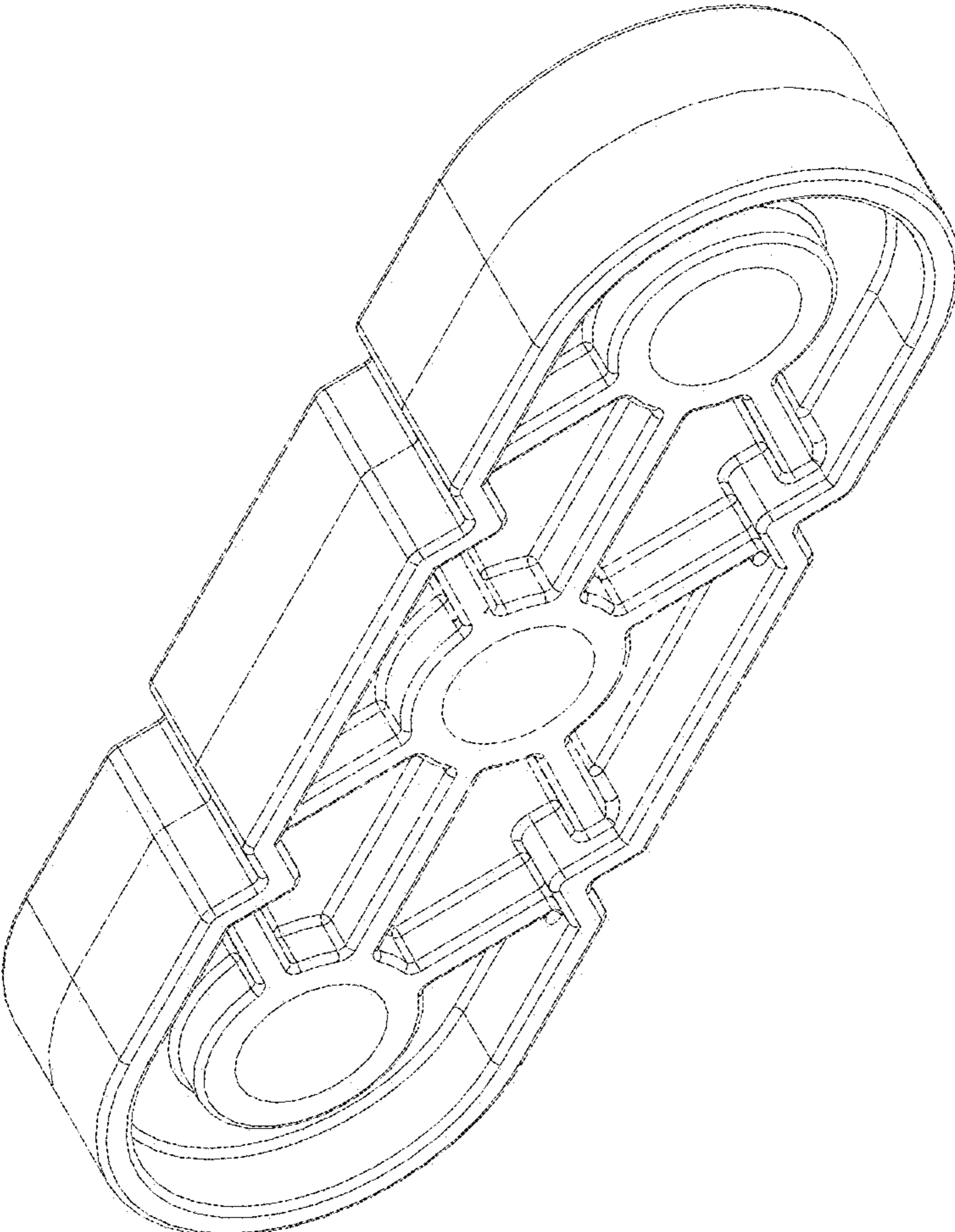
**DESCRIPTION**

FIG. 1 is a front perspective view of a beam component for a construction kit in accordance with our new design; FIG. 2 is a rear perspective view of FIG. 1; FIG. 3 is a top side view of FIG. 1; FIG. 4 is a bottom side view of FIG. 1; FIG. 5 is a right side view of FIG. 1; FIG. 6 is a left side view of FIG. 1; FIG. 7 is a front side view of FIG. 1; and, FIG. 8 is a rear side view of FIG. 1. The broken lines are for environmental purposes only and form no part of the claimed design.

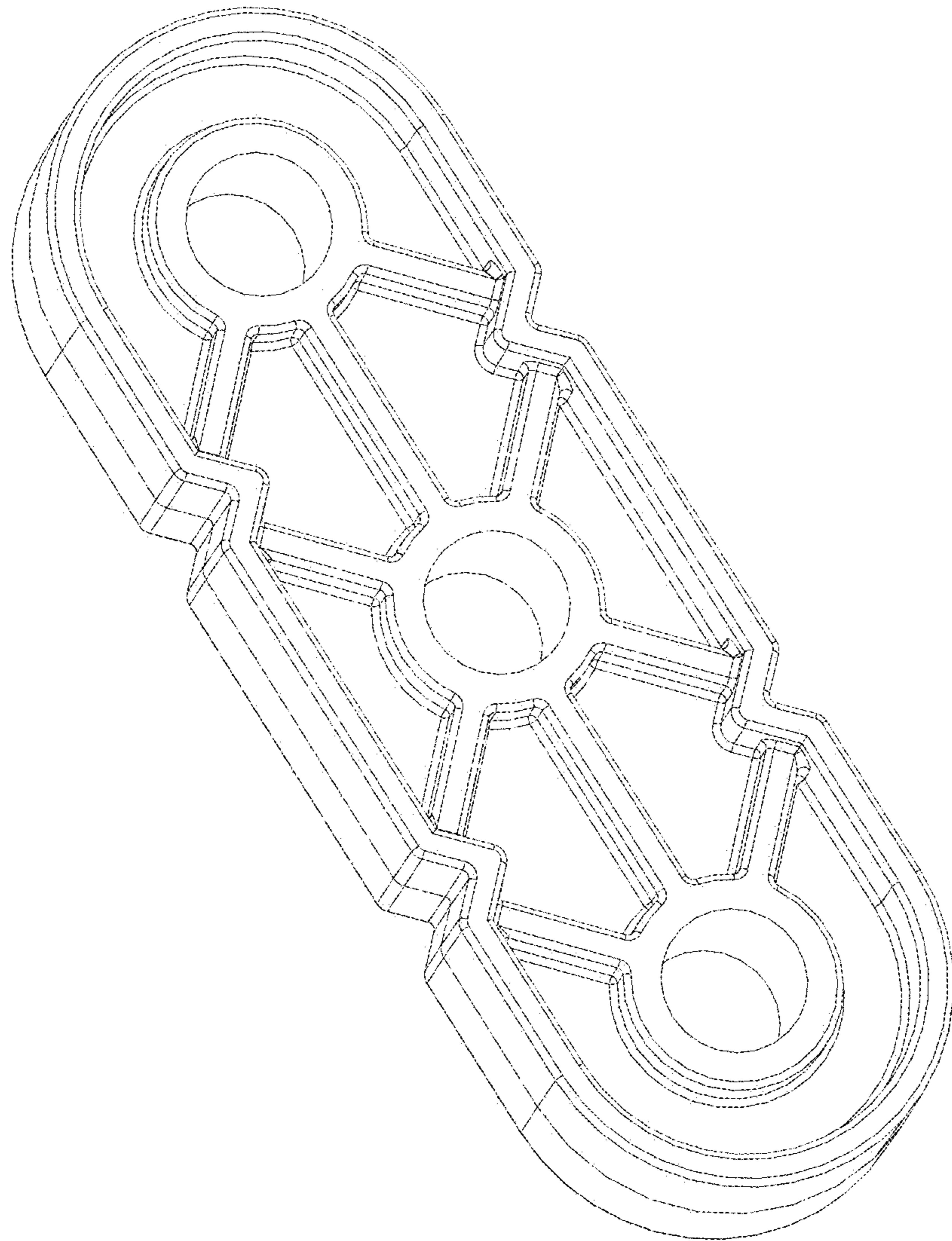
**1 Claim, 8 Drawing Sheets**



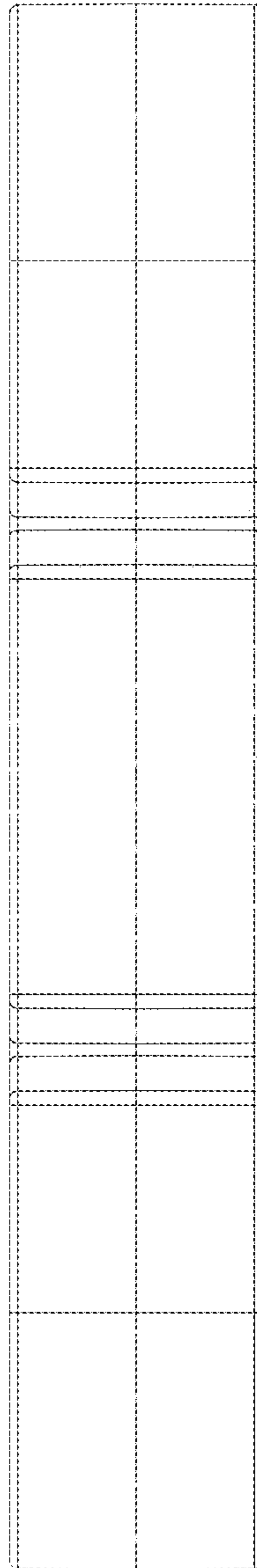
**FIGURE 1**



**FIGURE 2**

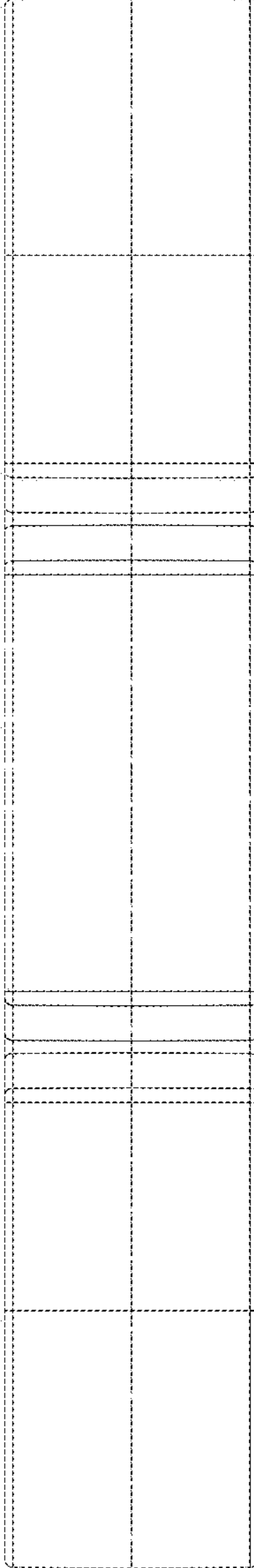


**FIGURE 3**

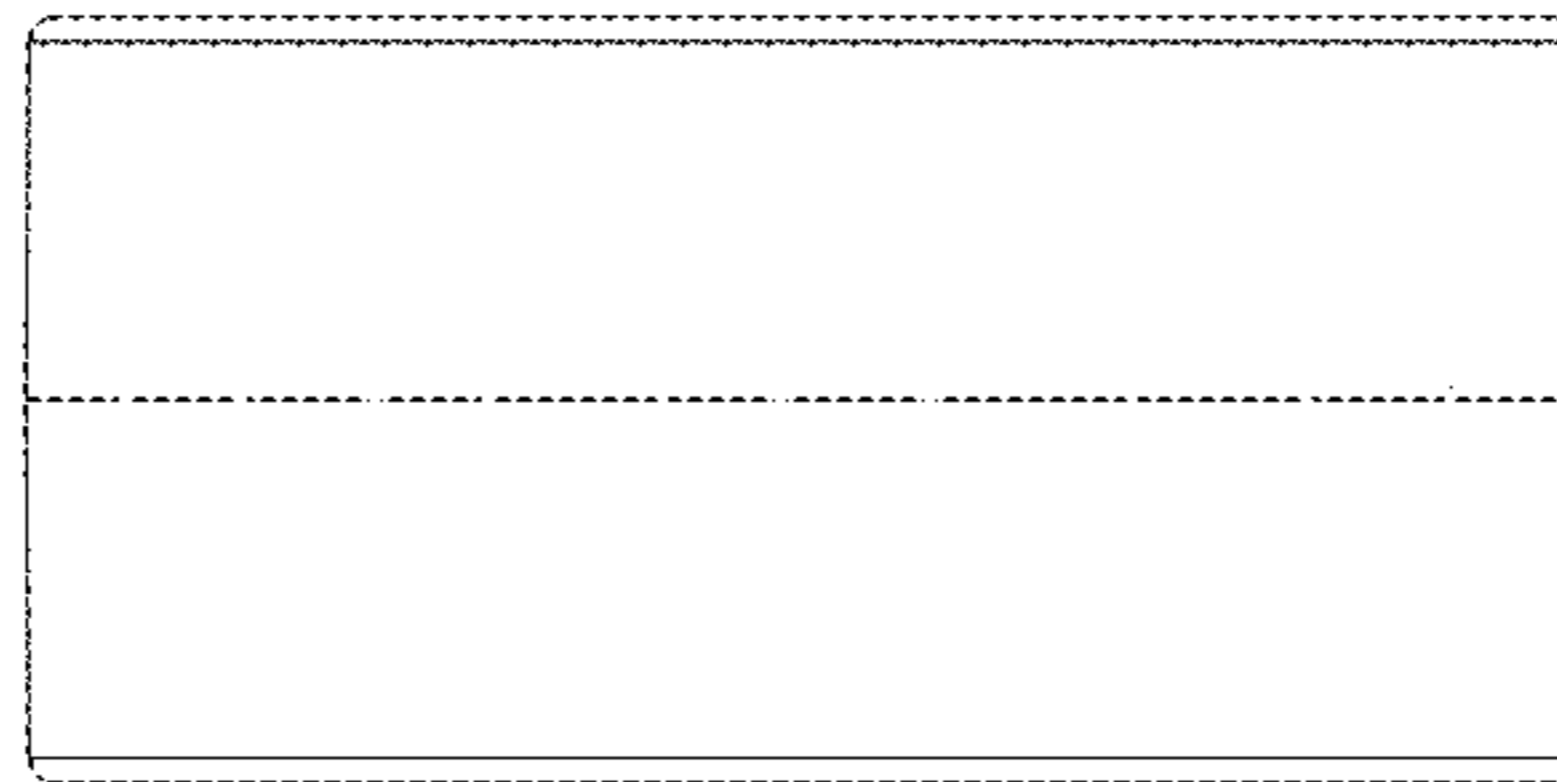




**FIGURE 4**



**FIGURE 5**



**FIGURE 6**

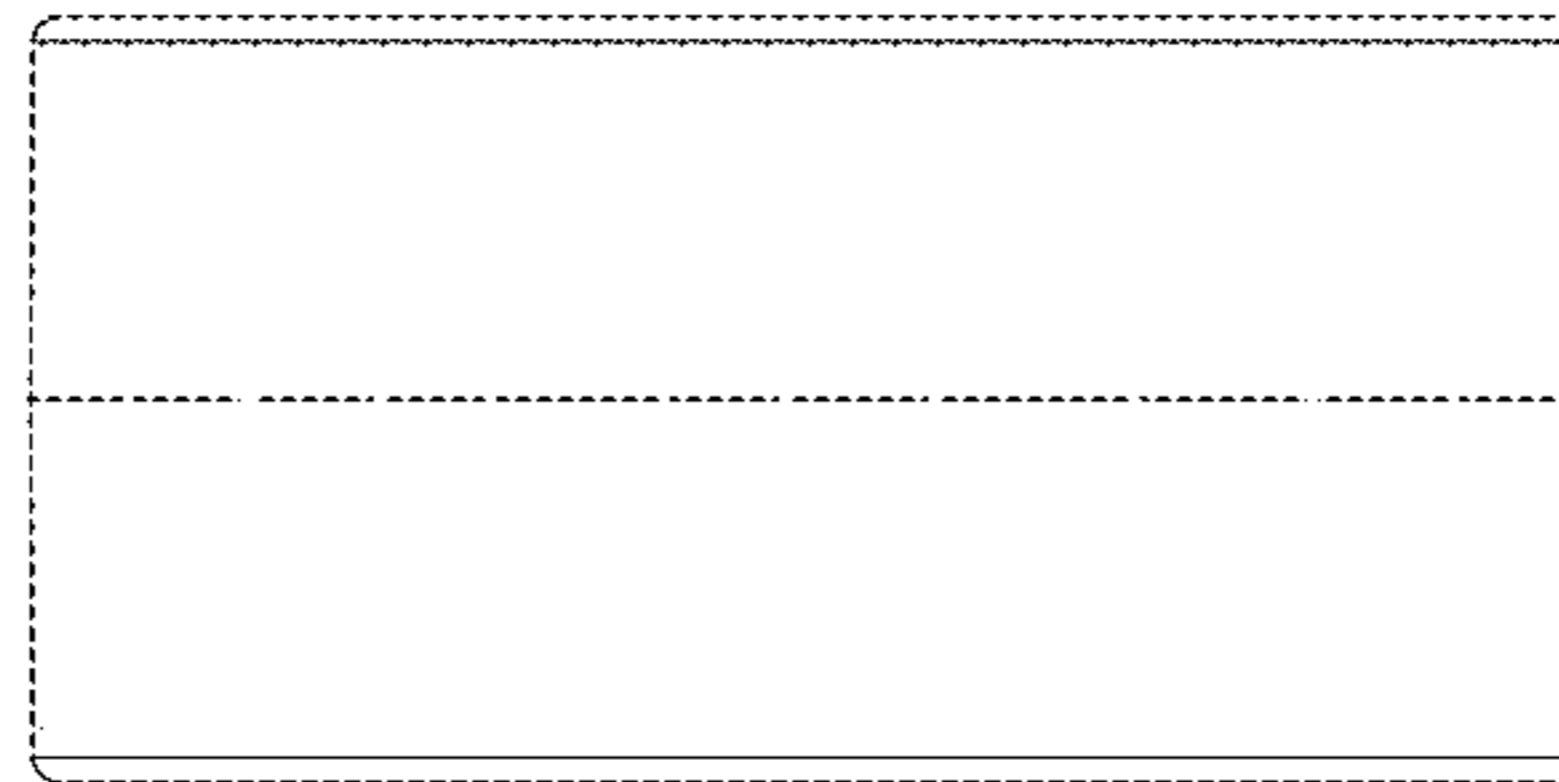
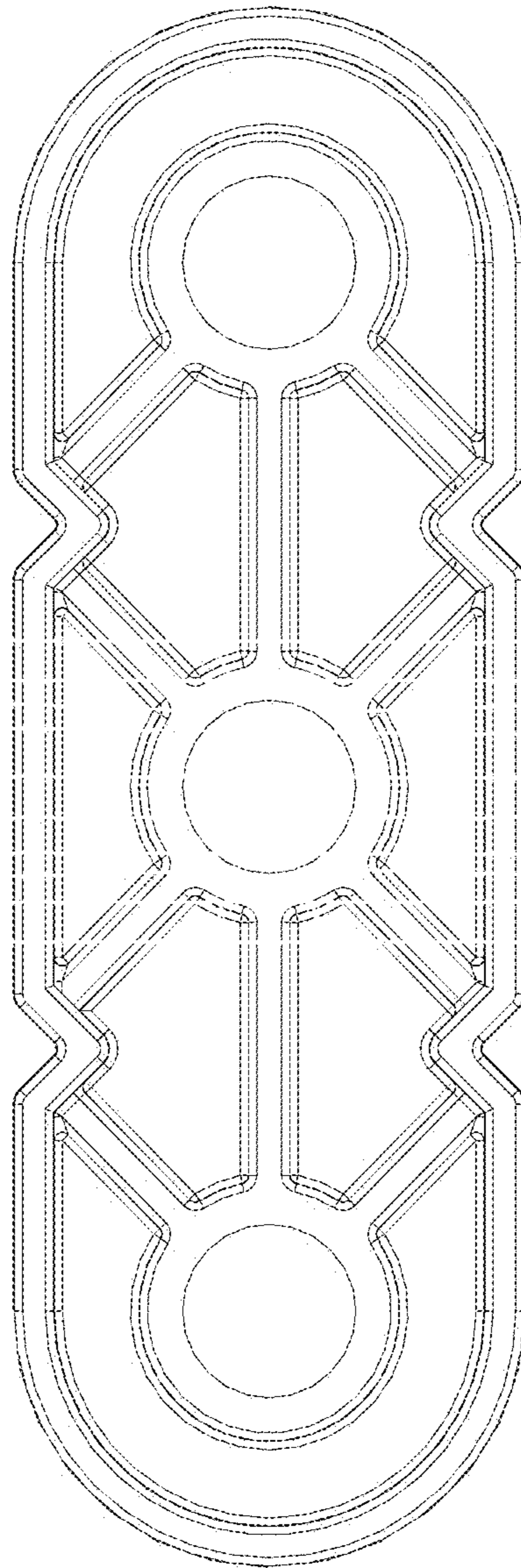


FIGURE 7





**FIGURE 8**

