



US00D711973S

(12) **United States Design Patent**
Norman et al.

(10) **Patent No.:** **US D711,973 S**

(45) **Date of Patent:** **** Aug. 26, 2014**

(54) **PIN CONNECTOR COMPONENT FOR A CONSTRUCTION KIT**

(56) **References Cited**

U.S. PATENT DOCUMENTS

(71) Applicant: **Innovation First, Inc.**, Greenville, TX (US)

2,885,822	A *	5/1959	Onanian	446/121
D236,521	S *	8/1975	Christiansen	D21/658
D278,143	S *	3/1985	Hill	D8/354
D367,897	S *	3/1996	Schmidt et al.	D21/486
D373,153	S *	8/1996	Madsen	D21/487
D409,677	S *	5/1999	Jensen	D21/487
D550,308	S *	9/2007	Glickman et al.	D21/486
D553,203	S *	10/2007	Glickman et al.	D21/487
D563,485	S *	3/2008	Glickman	D21/484
7,736,211	B2 *	6/2010	Marzetta	446/122
7,942,717	B2 *	5/2011	Chou	446/91
D686,675	S *	7/2013	Jensen	D21/487

(72) Inventors: **David Anthony Norman**, Greenville, TX (US); **Robert H. Mimplitch, III**, Rowlett, TX (US); **Paul David Copioli**, Rockwall, TX (US); **Gregory James Lavender**, Rockwall, TX (US); **Aren Calder Hill**, Rockford, IL (US); **Douglas Michael Galletti**, Allen, TX (US); **John Edward Vielkind-Neun**, Rockwall, TX (US); **Arthur Philip Dutra, IV**, Greenville, TX (US)

* cited by examiner

Primary Examiner — Cynthia M Chin

(73) Assignee: **Innovation First, Inc.**, Greenville, TX (US)

(74) *Attorney, Agent, or Firm* — Adam K. Sacharoff; Much Shelist

(**) Term: **14 Years**

(21) Appl. No.: **29/483,160**

(57) **CLAIM**

(22) Filed: **Feb. 26, 2014**

The ornamental design for a pin connector component for a construction kit, as shown and described.

Related U.S. Application Data

DESCRIPTION

(62) Division of application No. 29/451,493, filed on Apr. 3, 2013.

(51) **LOC (10) Cl.** **21-01**

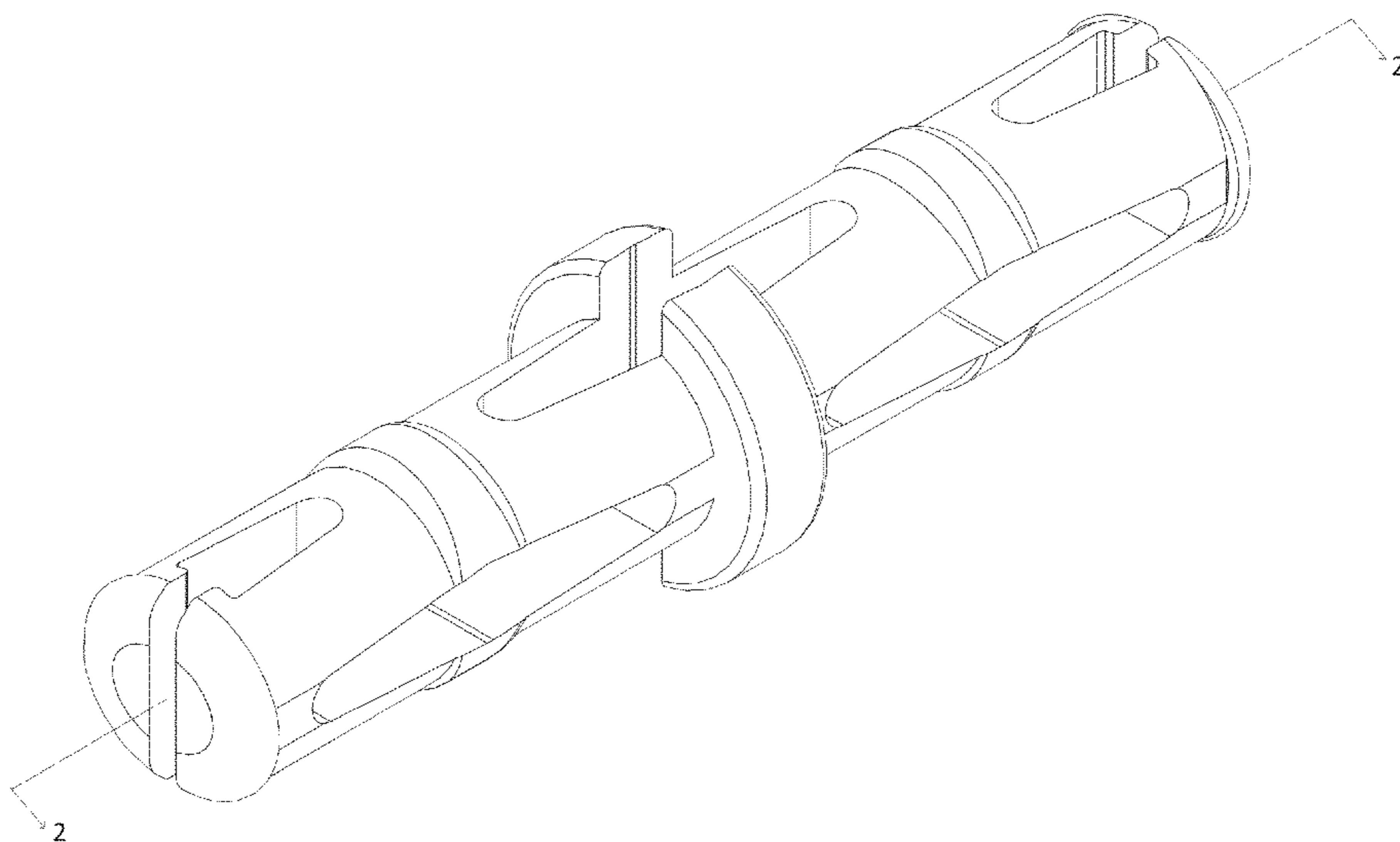
(52) **U.S. Cl.**
USPC **D21/487**

(58) **Field of Classification Search**
CPC A63H 33/00; A63H 33/04; A63H 33/06;
A63H 33/08; A63H 33/10; A63H 33/12;
A63H 33/14; A63F 9/08; A63F 9/12; G09B
1/36
USPC D21/484-505; D8/382; 273/153, 156;
446/69, 85, 102-128; 434/259

FIG. 1 is a front perspective view of a pin connector component for a construction kit in accordance with our new design; FIG. 2 is a perspective cross-sectional view taken from line 2-2 of FIG. 1; FIG. 3 is a top side view of FIG. 1; FIG. 4 is a bottom side view of FIG. 1; FIG. 5 is a right side view of FIG. 1; FIG. 6 is a left side view of FIG. 1; FIG. 7 is a front side view of FIG. 1; and, FIG. 8 is a rear side view of FIG. 1.

See application file for complete search history.

1 Claim, 8 Drawing Sheets



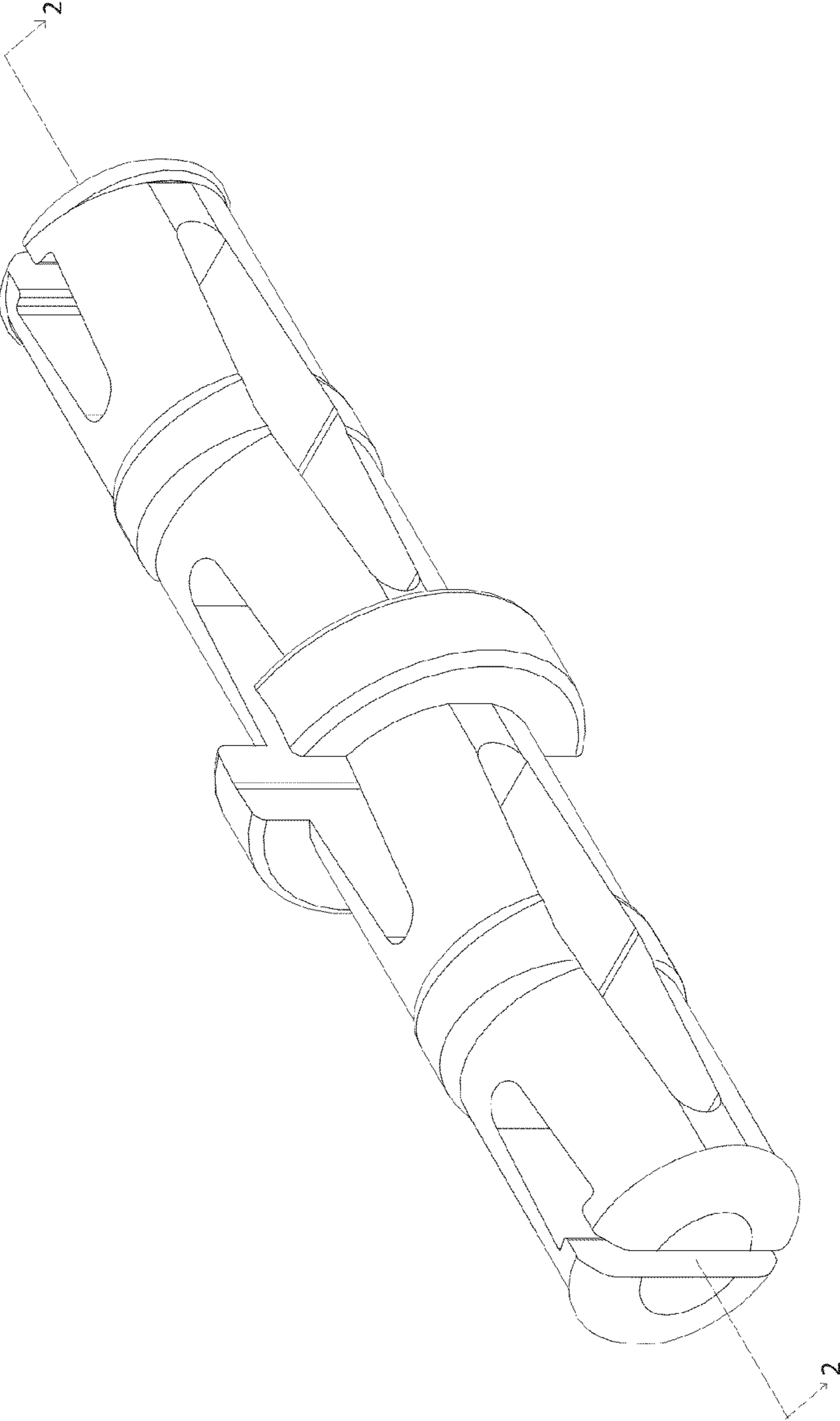
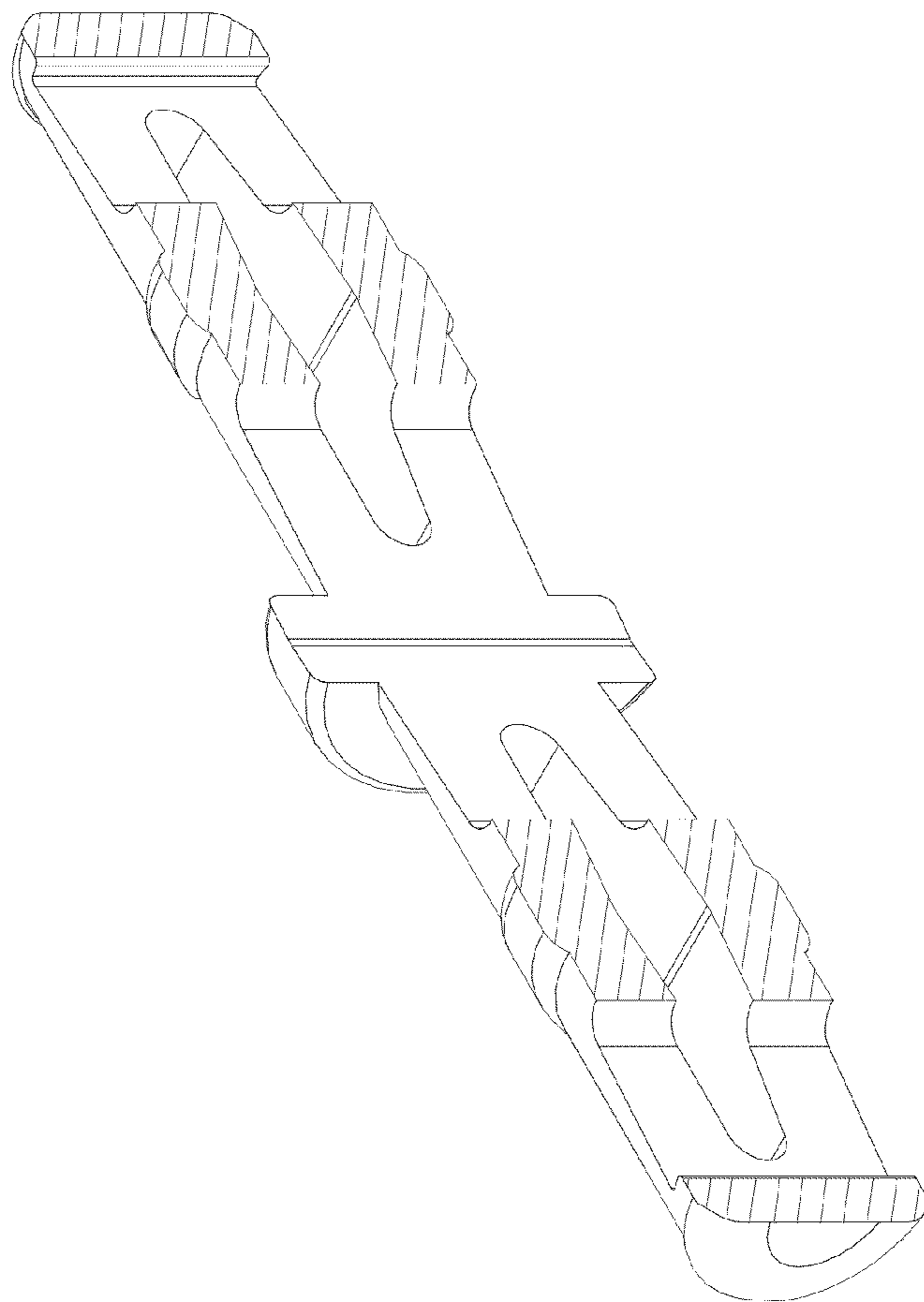


FIGURE 1

FIGURE 2



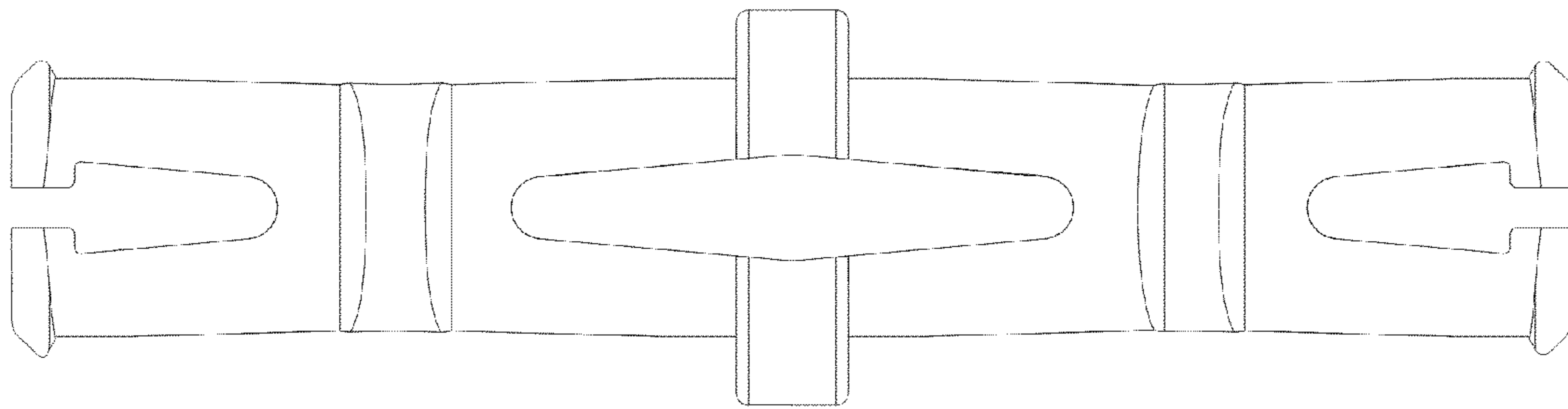


FIGURE 3

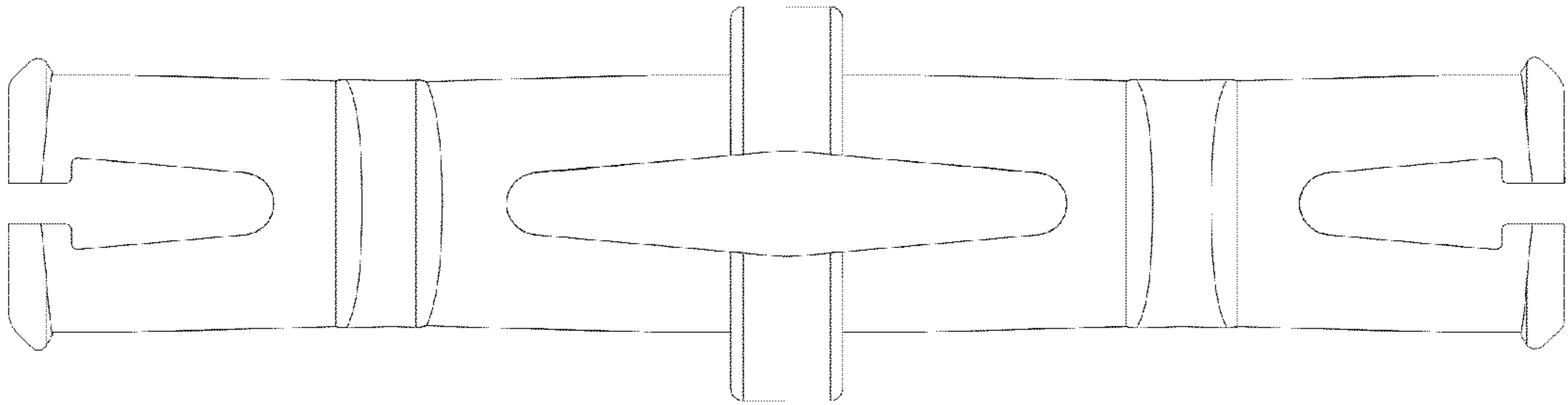


FIGURE 4

FIGURE 5

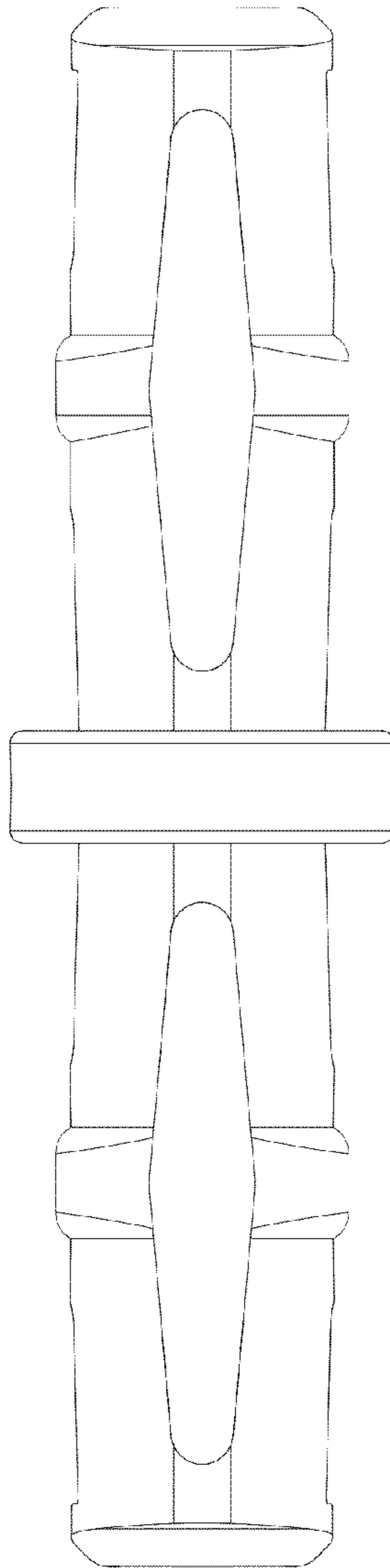
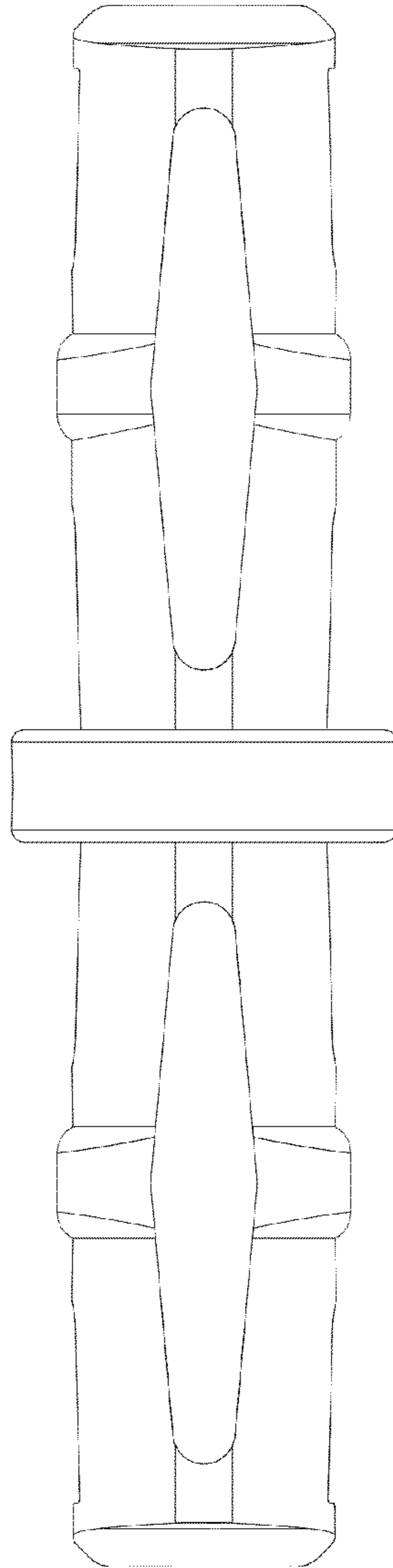


FIGURE 6



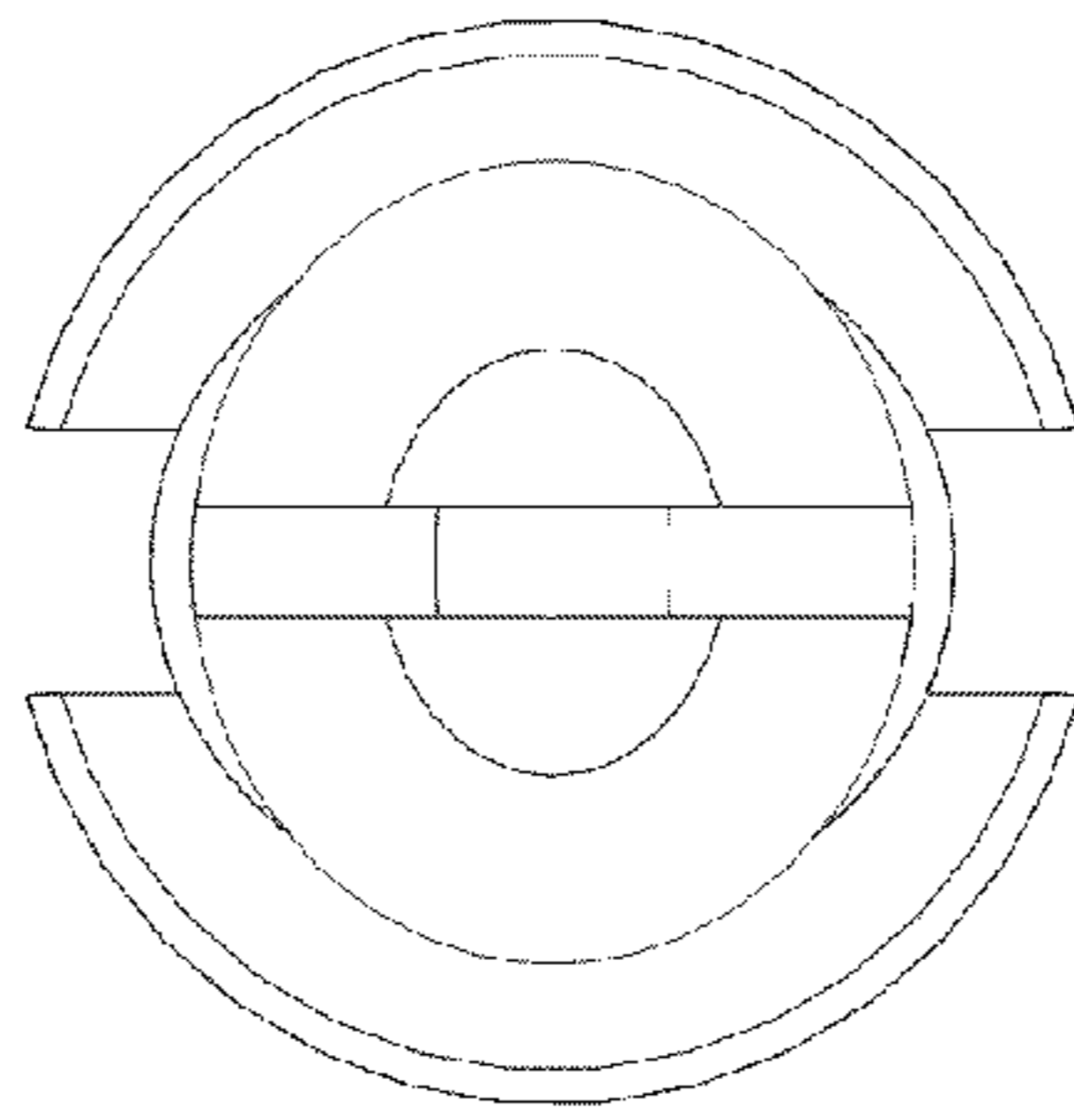


FIGURE 7

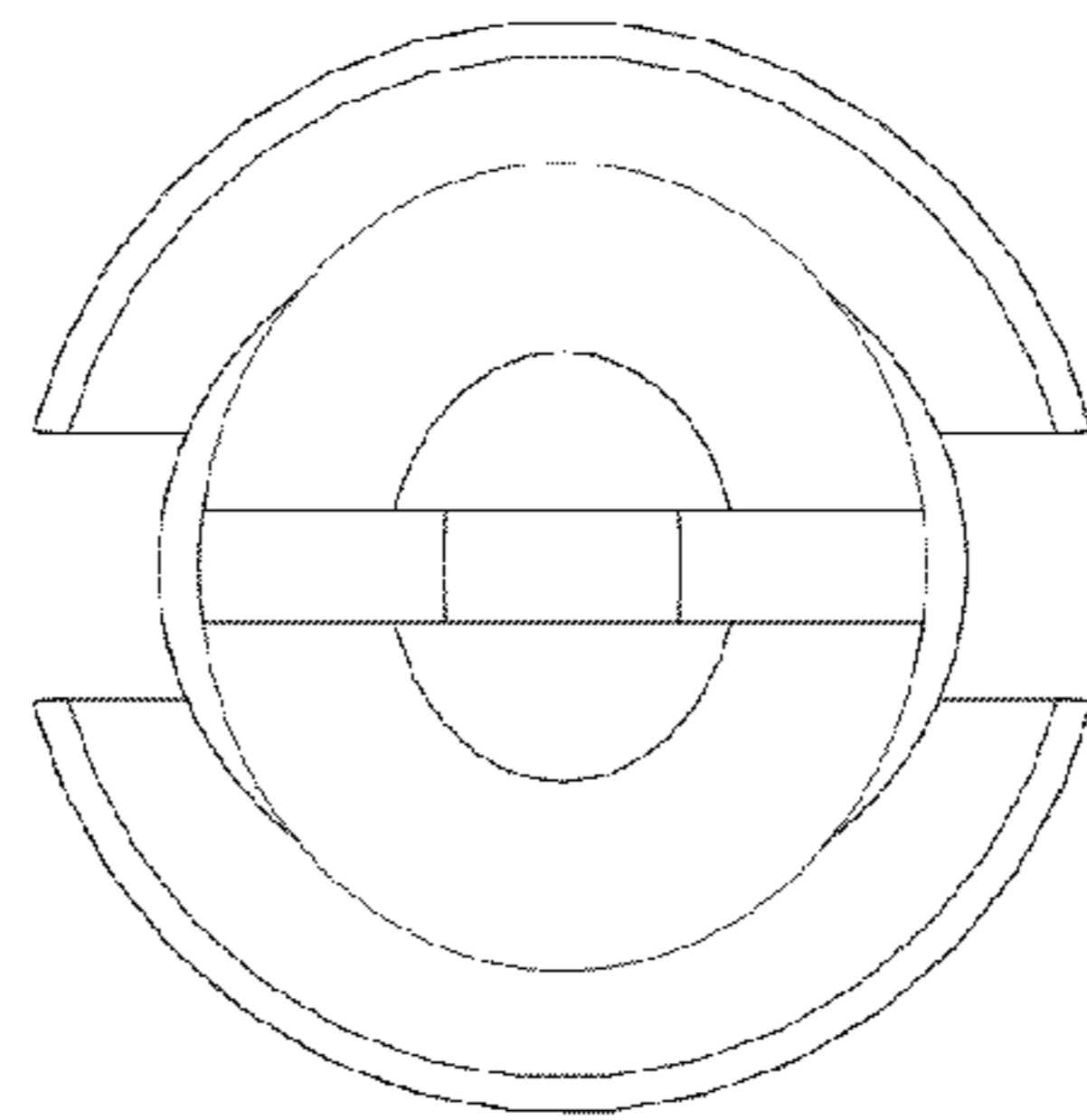


FIGURE 8