



US00D711971S

(12) **United States Design Patent**  
**Child**

(10) **Patent No.:** **US D711,971 S**

(45) **Date of Patent:** **\*\* Aug. 26, 2014**

(54) **HEDGEHOG TOY**

(71) Applicant: **Christiane Child**, Queensland (AU)

(72) Inventor: **Christiane Child**, Queensland (AU)

(\*\*) Term: **14 Years**

(21) Appl. No.: **29/460,945**

(22) Filed: **Jul. 17, 2013**

(51) **LOC (10) Cl.** ..... **21-01**

(52) **U.S. Cl.**  
USPC ..... **D21/428**

(58) **Field of Classification Search**  
USPC ..... D21/412, 414, 415, 419, 424, 426, 427,  
D21/428, 503, 656, 831; 280/1.16, 1.165,  
280/1.167, 1.191, 1.192, 1.22, 1.23, 827,  
280/828, 87.01, 87.021, 87.03

See application file for complete search history.

(56) **References Cited**

**U.S. PATENT DOCUMENTS**

D215,224 S \* 9/1969 Cohn ..... D21/428  
D247,862 S \* 5/1978 Nakao et al. .... D21/428  
D249,029 S \* 8/1978 Bossons ..... D11/158

D287,610 S \* 1/1987 Nicholls ..... D21/588  
D587,322 S \* 2/2009 Child et al. .... D21/427  
D603,467 S \* 11/2009 Kelly ..... D21/656  
D652,456 S \* 1/2012 Child et al. .... D21/428

\* cited by examiner

*Primary Examiner* — Cynthia M Chin

(74) *Attorney, Agent, or Firm* — The Marbury Law Group, PLLC

(57) **CLAIM**

The ornamental design for a hedgehog toy, as shown and described.

**DESCRIPTION**

FIG. 1 is a front/right side perspective view of the hedgehog toy design.

FIG. 2 is a front view of the hedgehog toy design.

FIG. 3 is a rear view of the hedgehog toy design.

FIG. 4 is a right side view of the hedgehog toy design.

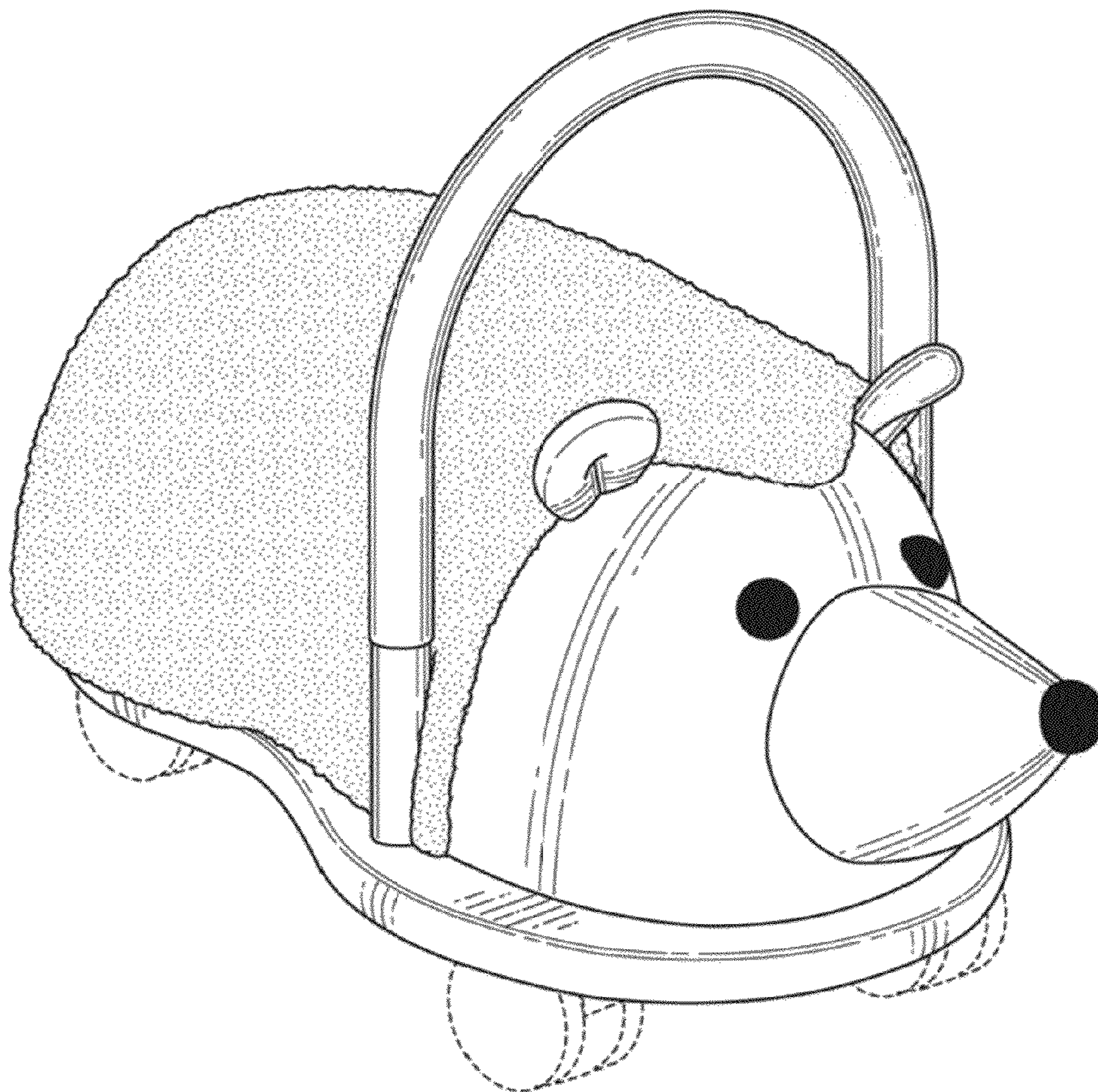
FIG. 5 is a left side view of the hedgehog toy design.

FIG. 6 is a top view of the hedgehog toy design; and,

FIG. 7 is a bottom view of the hedgehog toy design.

The broken lines shown in FIGS. 1-7 represent portions of the hedgehog toy that form no part of the claim.

**1 Claim, 7 Drawing Sheets**



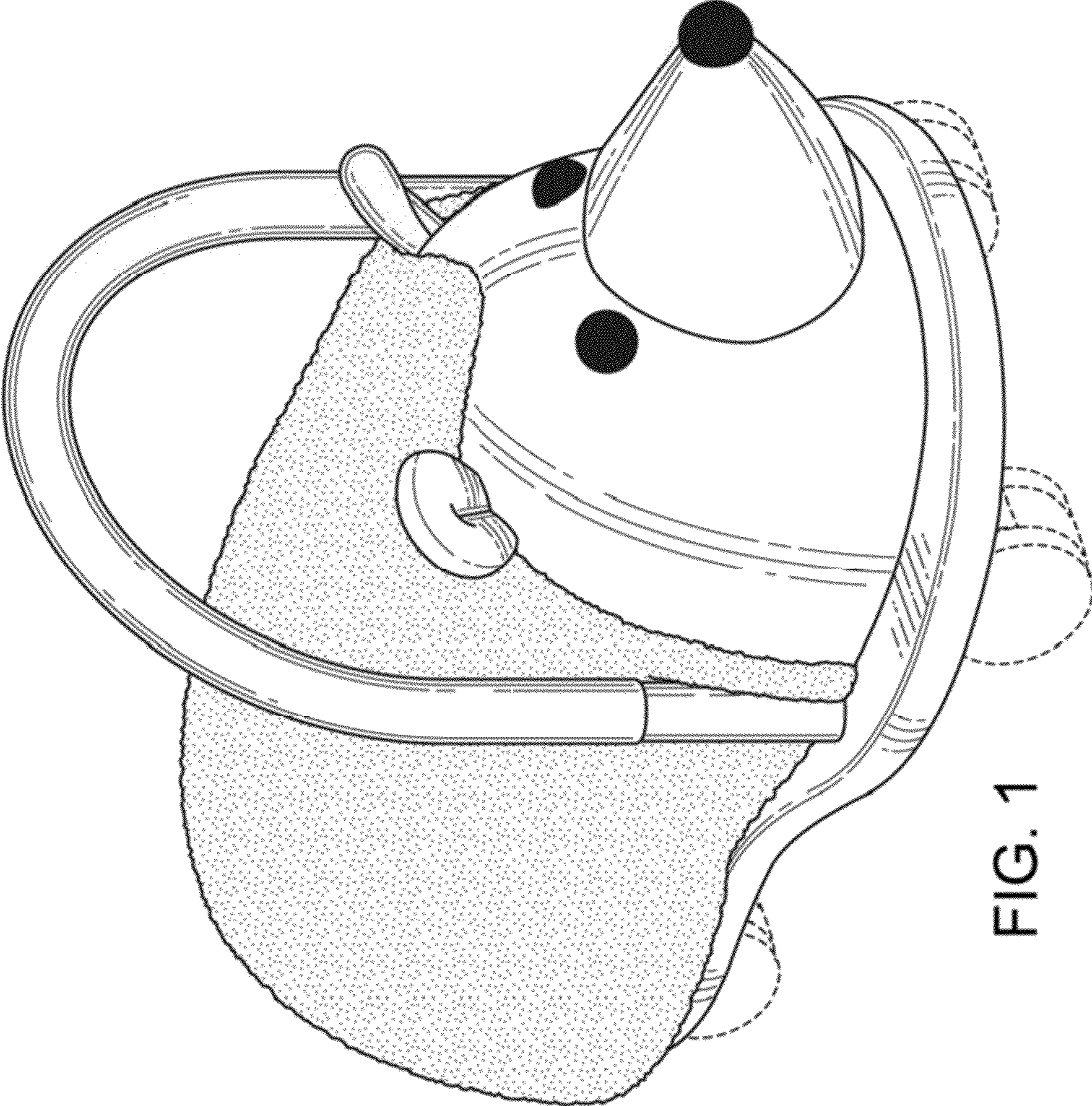


FIG. 1

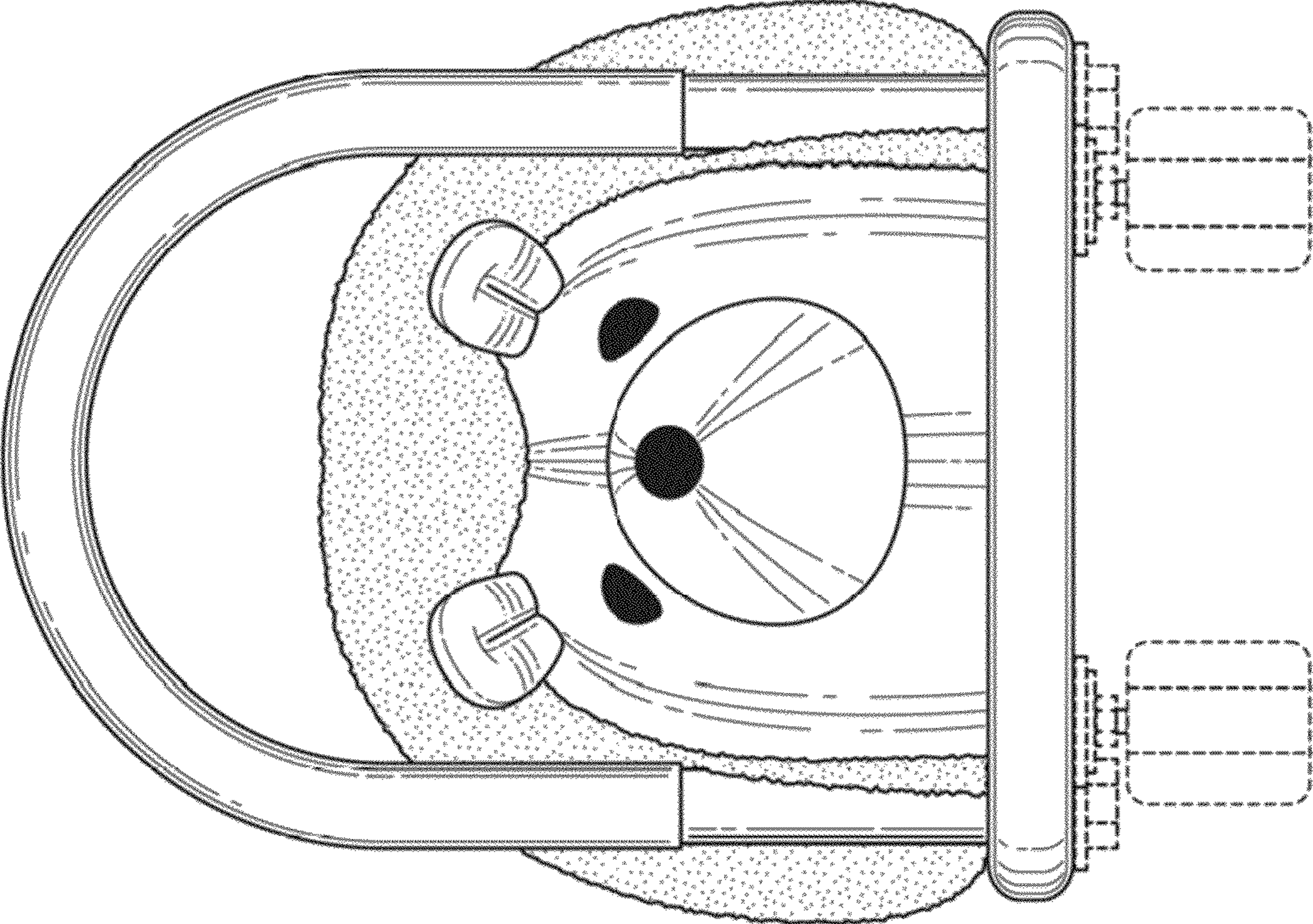


FIG. 2

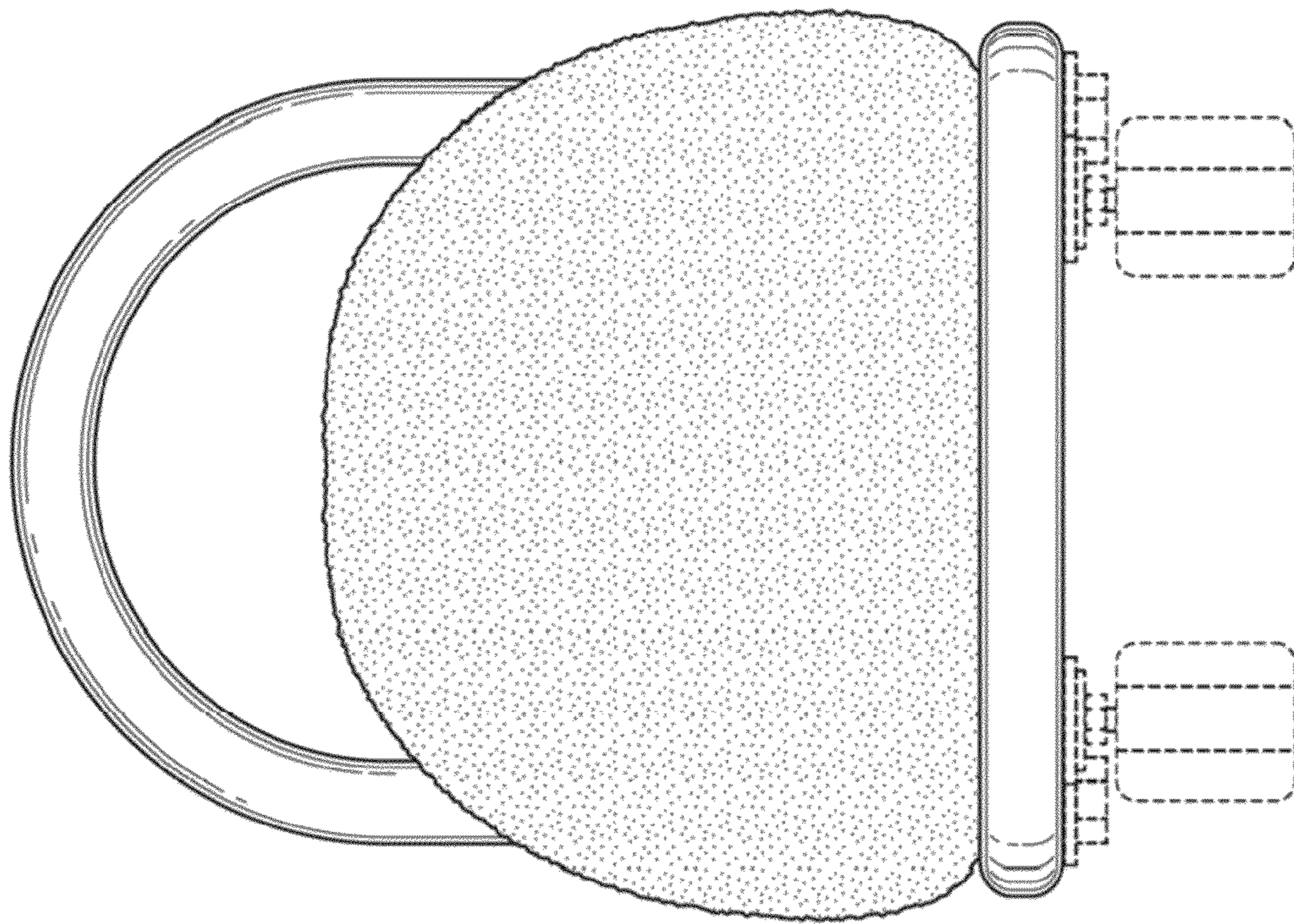


FIG. 3

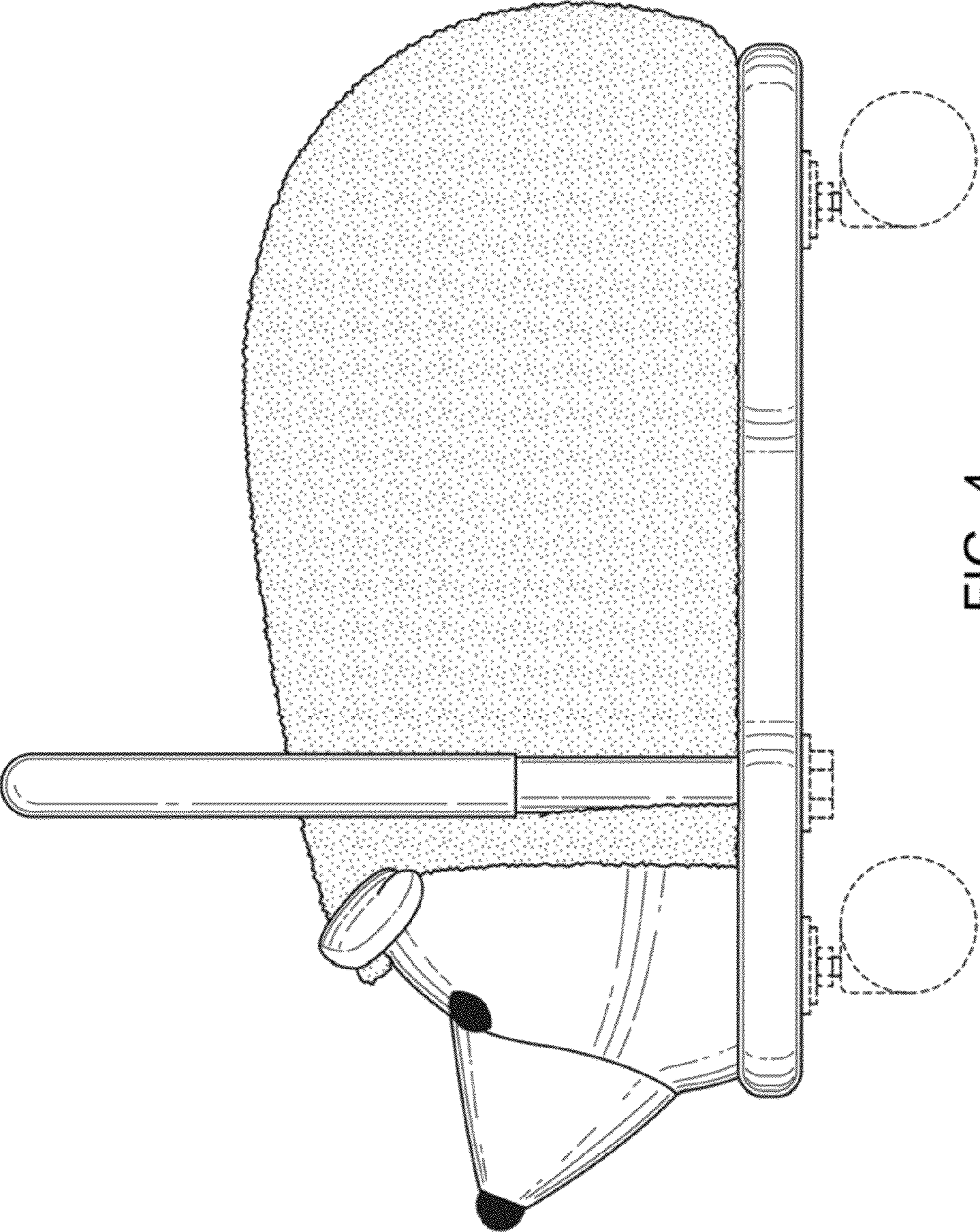


FIG. 4

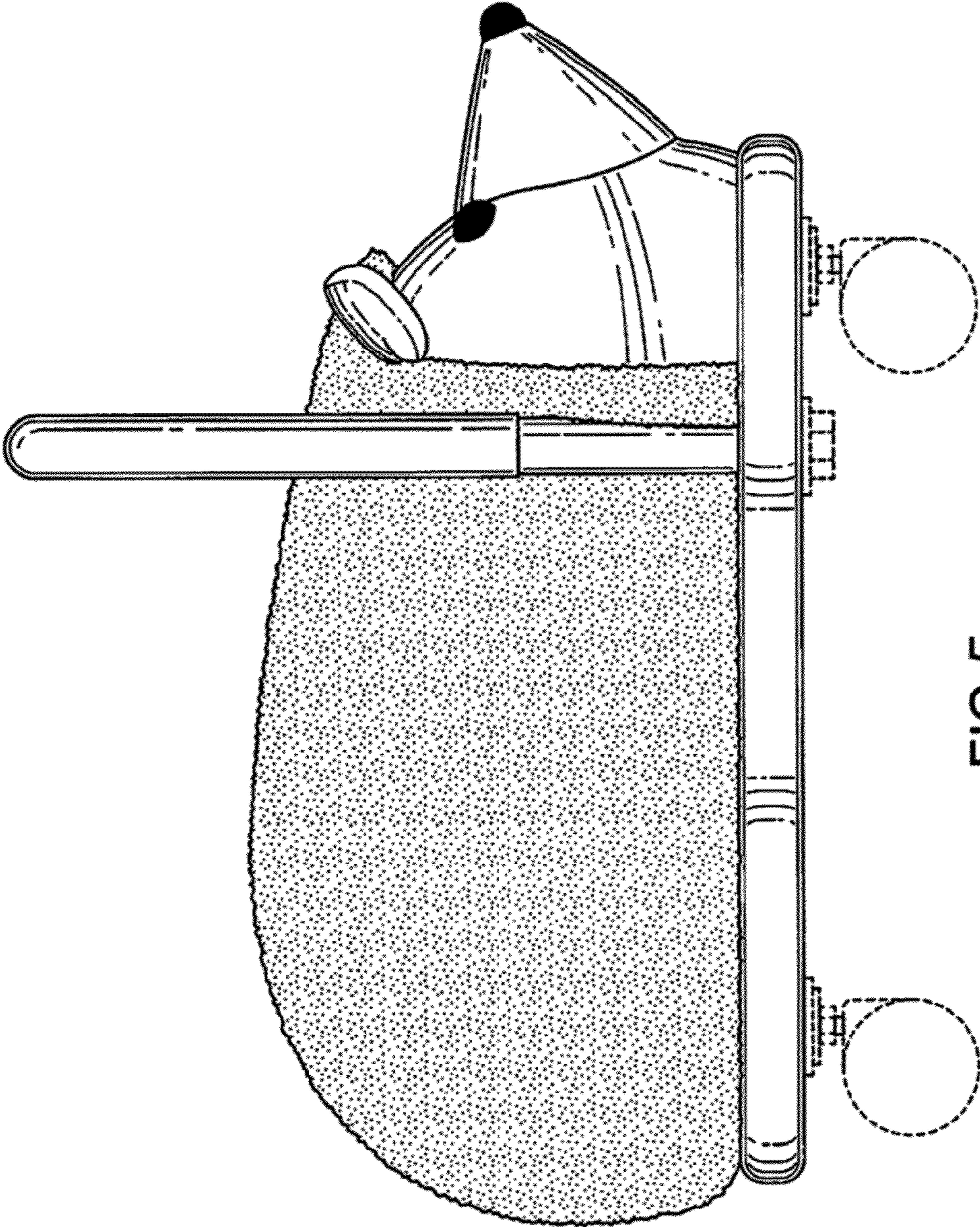


FIG.5

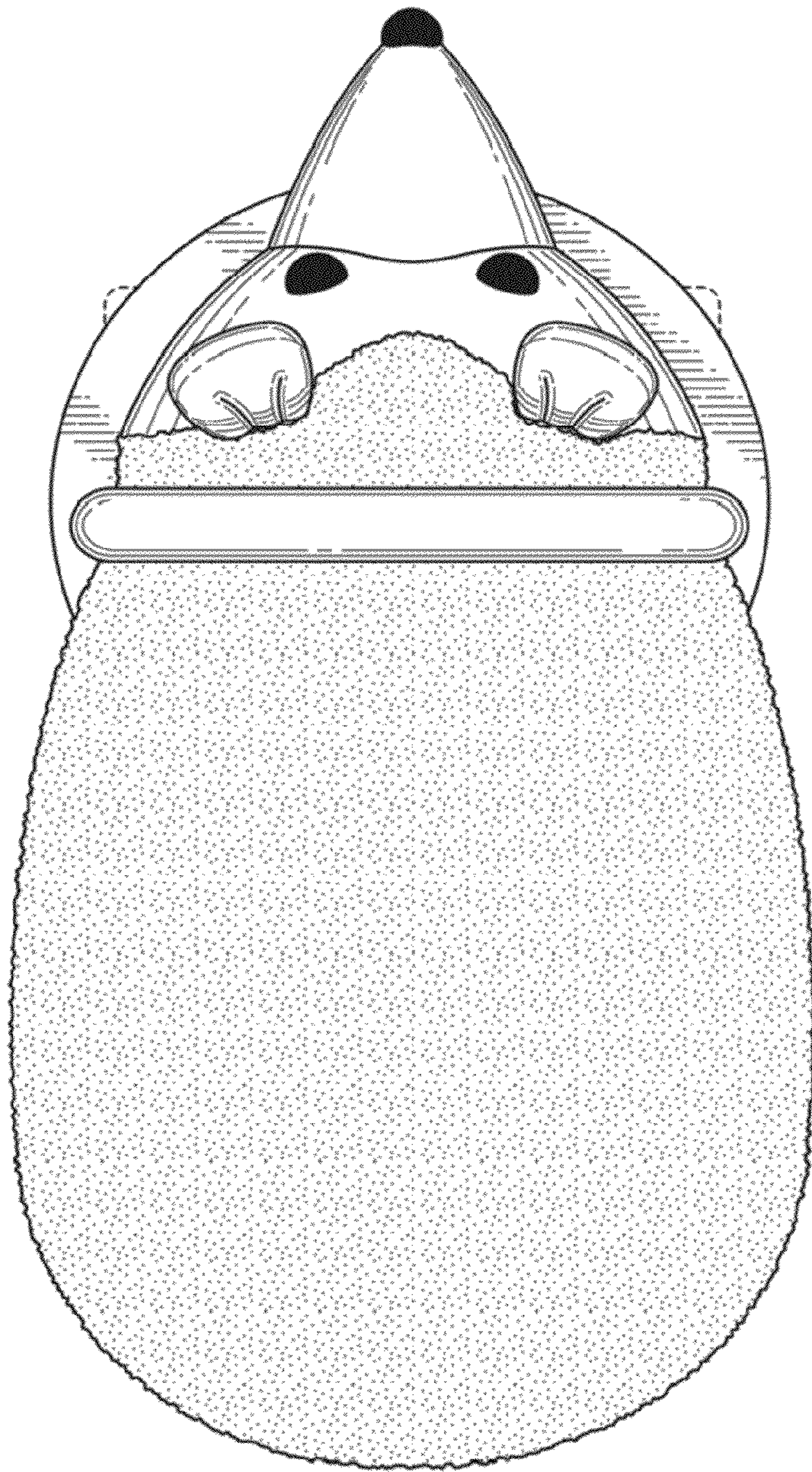


FIG. 6

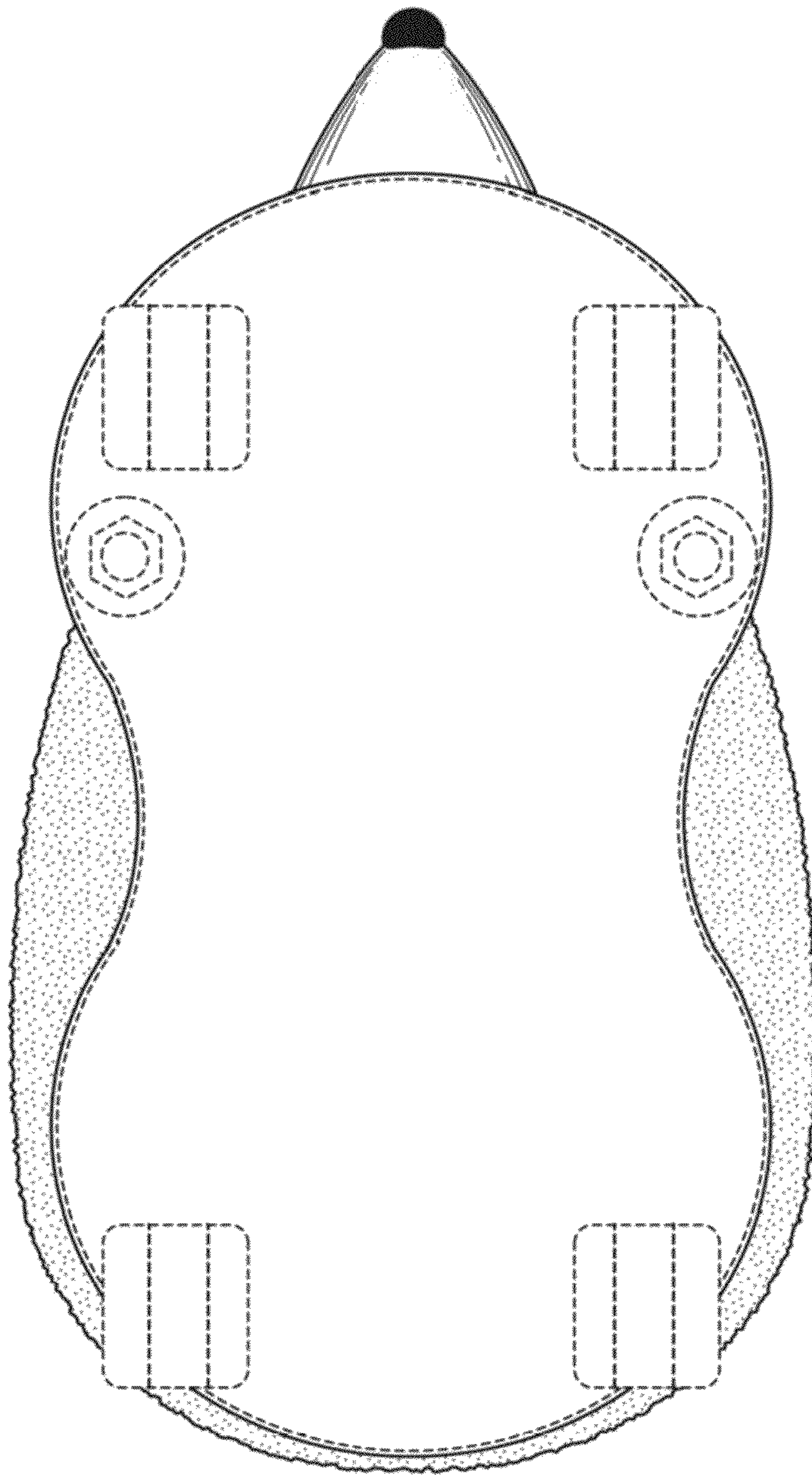


FIG. 7



UNITED STATES PATENT AND TRADEMARK OFFICE  
**CERTIFICATE OF CORRECTION**

PATENT NO. : D711,971 S  
APPLICATION NO. : 29/460945  
DATED : August 26, 2014  
INVENTOR(S) : Christiane Child

Page 1 of 1

It is certified that error appears in the above-identified patent and that said Letters Patent is hereby corrected as shown below:

On the Title Page

Col. 1, Insert after (22) Filed: Jul. 17, 2013

item -- (30) Foreign Application Priority Data  
Jan 17, 2013 (EM) ..... 002168179 --

Signed and Sealed this  
Eleventh Day of November, 2014



Michelle K. Lee  
*Deputy Director of the United States Patent and Trademark Office*