



US00D711969S

(12) **United States Design Patent**
Ruiz et al.

(10) **Patent No.:** **US D711,969 S**

(45) **Date of Patent:** **** Aug. 26, 2014**

(54) **BOARD GAME PIECE**

(71) Applicants: **Enrique E Ruiz**, Clarksburg, MD (US);
Sarah W Ruiz, Clarksburg, MD (US)

(72) Inventors: **Enrique E Ruiz**, Clarksburg, MD (US);
Sarah W Ruiz, Clarksburg, MD (US)

(73) Assignees: **Enrique E. Ruiz**, Huntingtown, MD
(US); **Sarah W. Ruiz**, Huntingtown, MD
(US)

(**) Term: **14 Years**

(21) Appl. No.: **29/483,865**

(22) Filed: **Mar. 4, 2014**

(51) **LOC (10) Cl.** **21-01**

(52) **U.S. Cl.**
USPC **D21/386**

(58) **Field of Classification Search**
USPC D21/307-308, 334-368, 376-397;
273/236-287, 288-291; D9/430

See application file for complete search history.

(56) **References Cited**

U.S. PATENT DOCUMENTS

D380,785 S *	7/1997	Francis	D21/386
D439,162 S *	3/2001	Juhng	D9/430
D475,095 S *	5/2003	Manville	D21/484
6,669,199 B2 *	12/2003	Vesco	273/294

* cited by examiner

Primary Examiner — George D Kirschbaum

(57) **CLAIM**

The ornamental design for a board game piece, as shown and described.

DESCRIPTION

FIG. 1—is a perspective view of the board game piece;
FIG. 2—is a front elevation view of the board game piece;
FIG. 3—is a back elevation view of the board game piece;
FIG. 4—is a left elevation view of the board game piece;
FIG. 5—is a right elevation view of the board game piece;
FIG. 6—is a top view of the board game piece; and,
FIG. 7—is a bottom view of the board game piece.

1 Claim, 2 Drawing Sheets

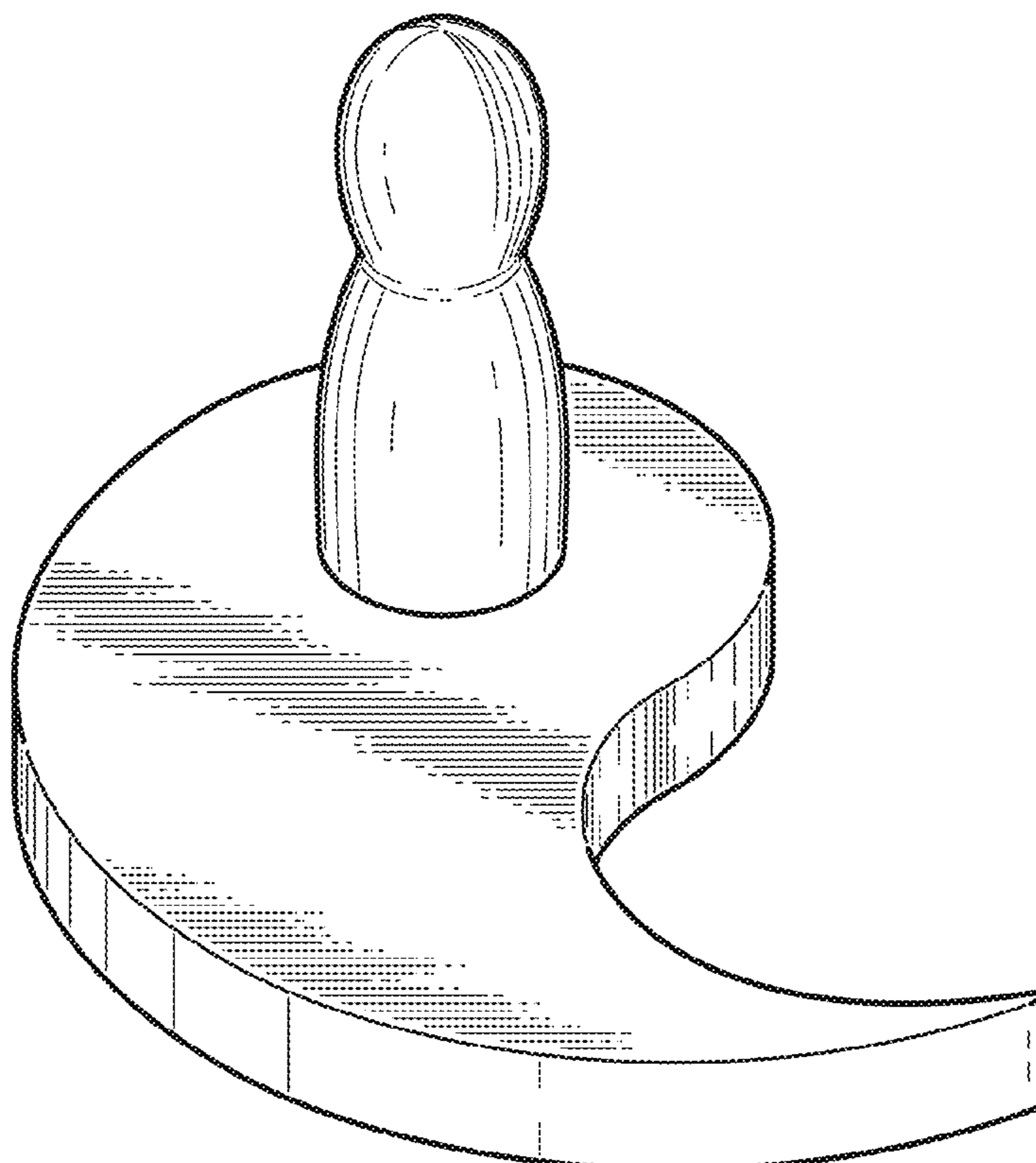


FIG. 1

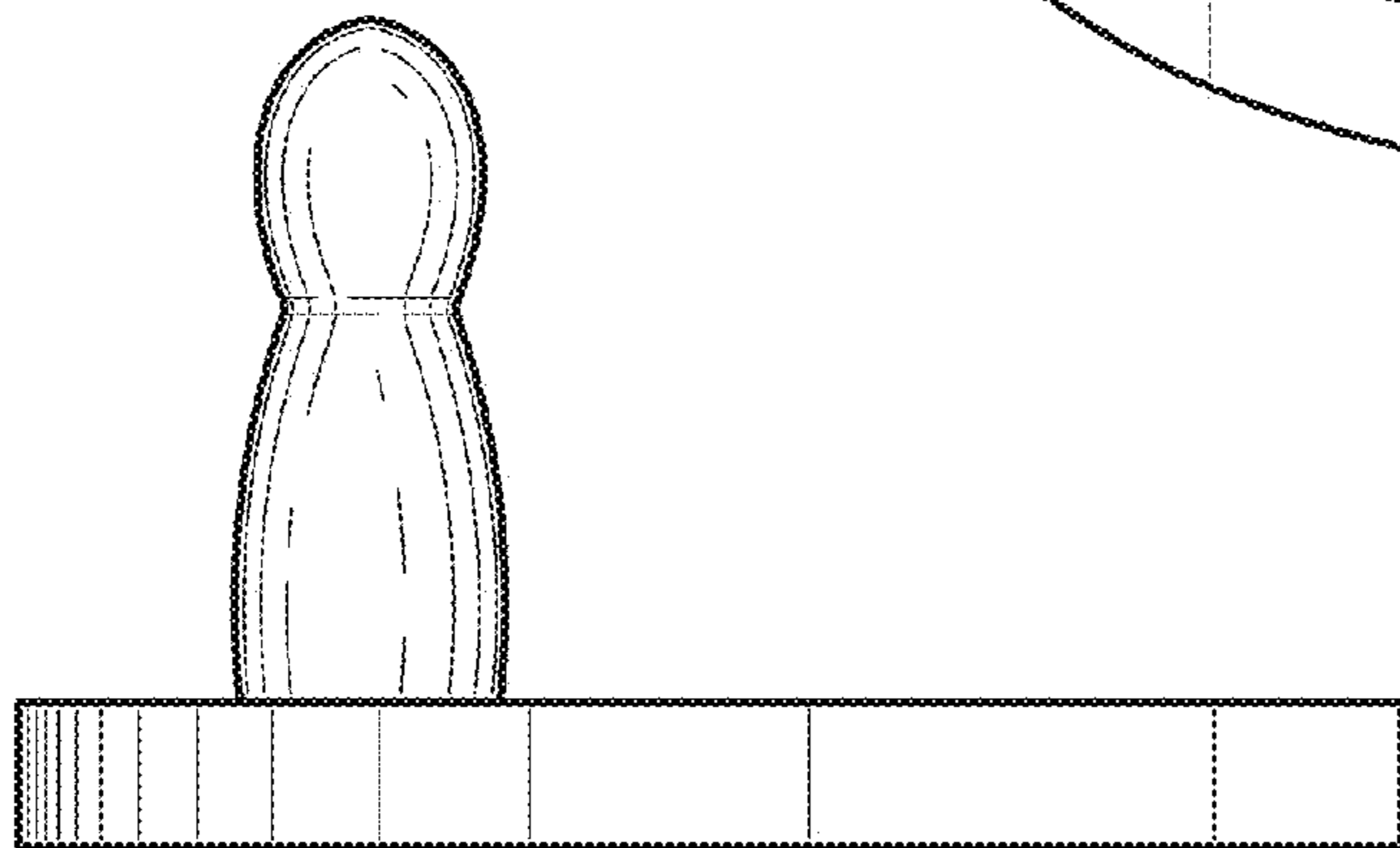
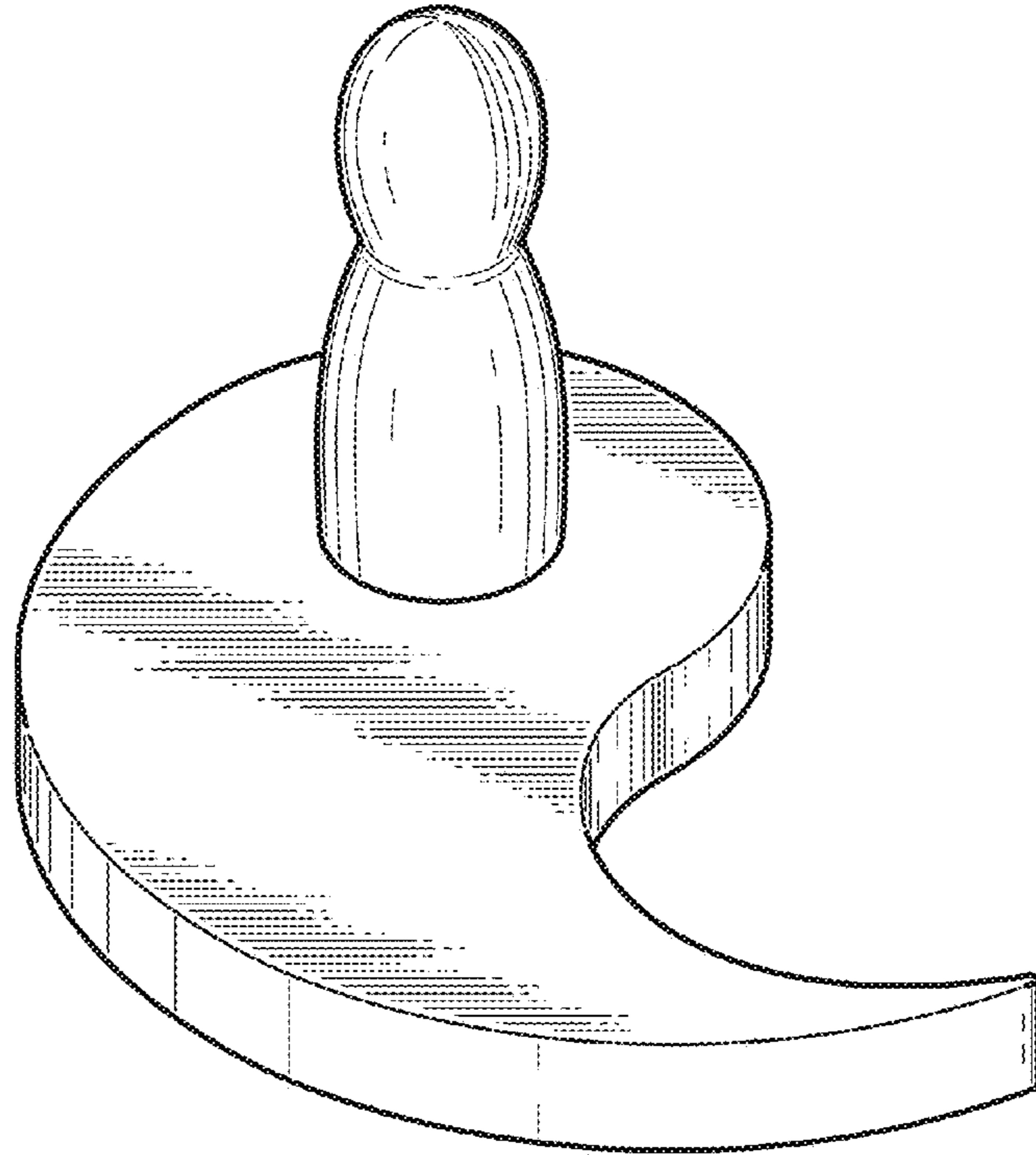


FIG. 2

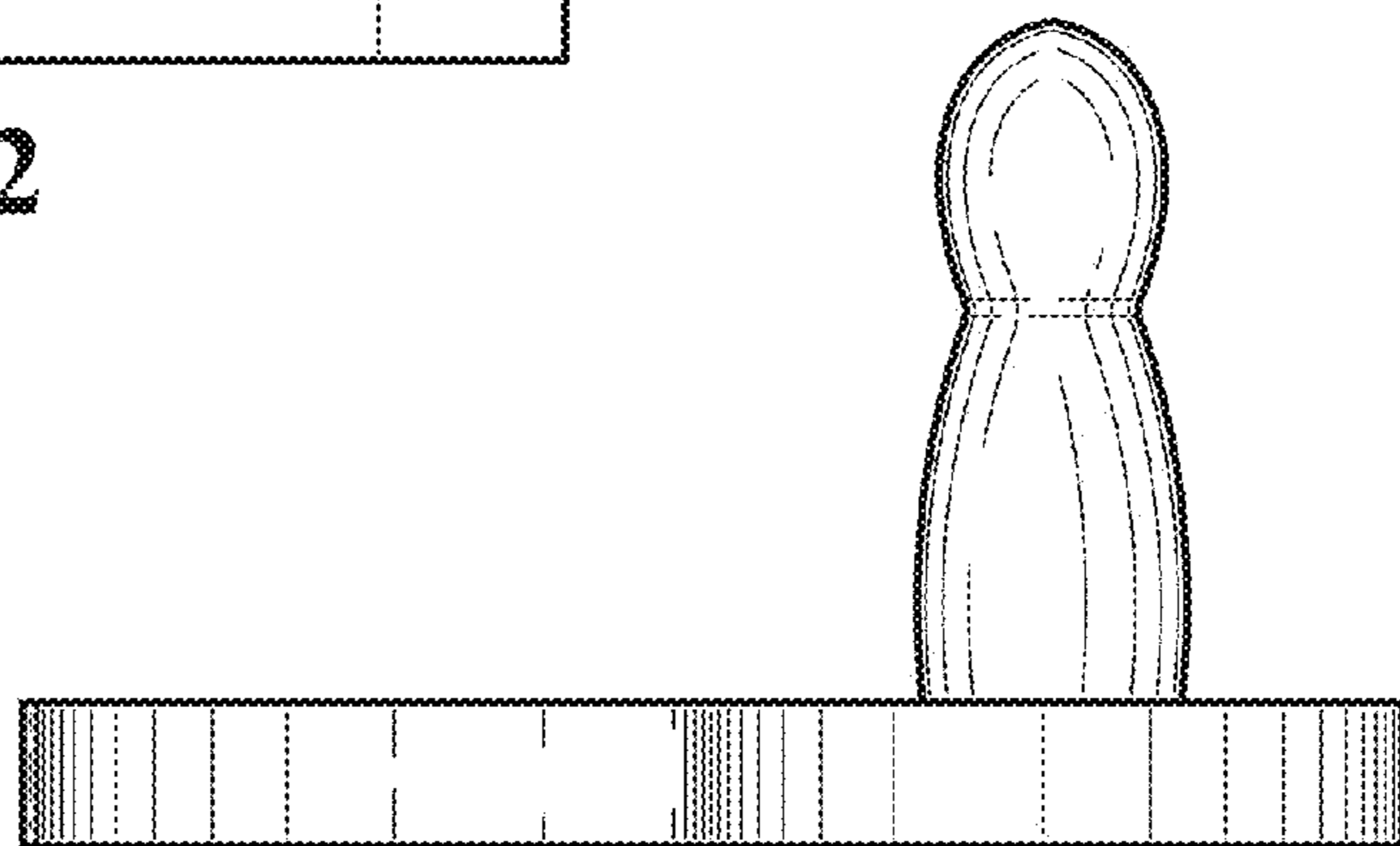


FIG. 3

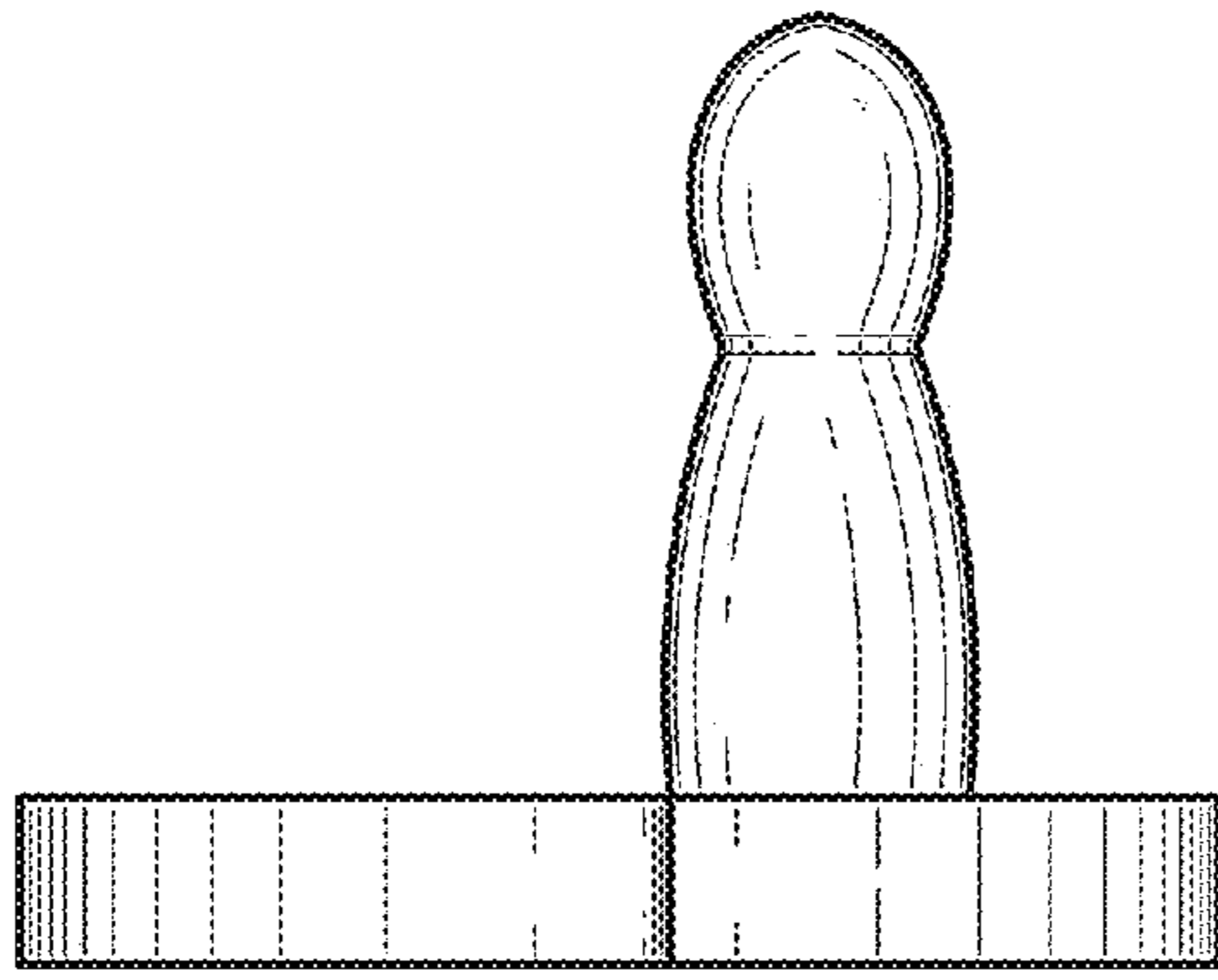


FIG. 4

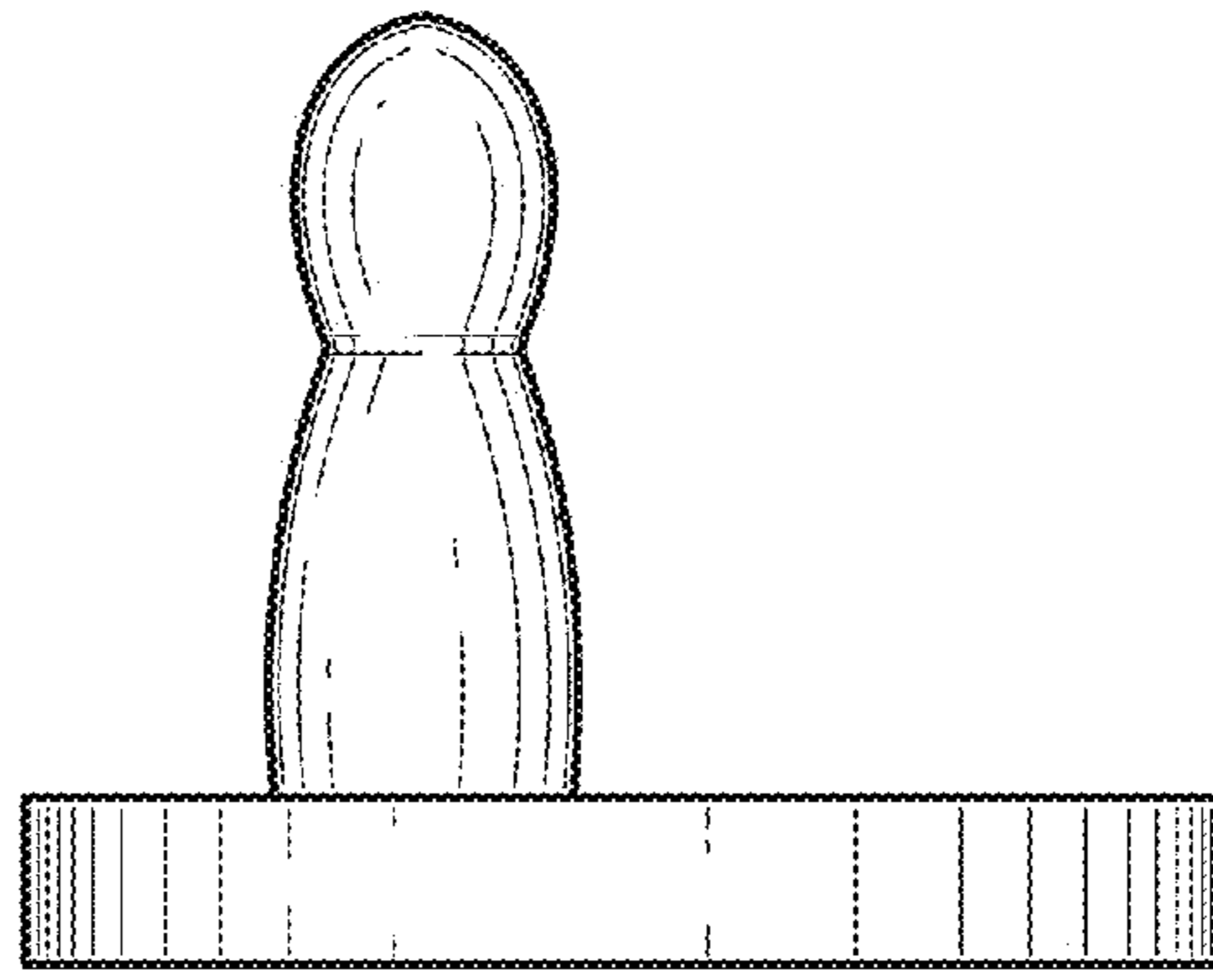


FIG. 5

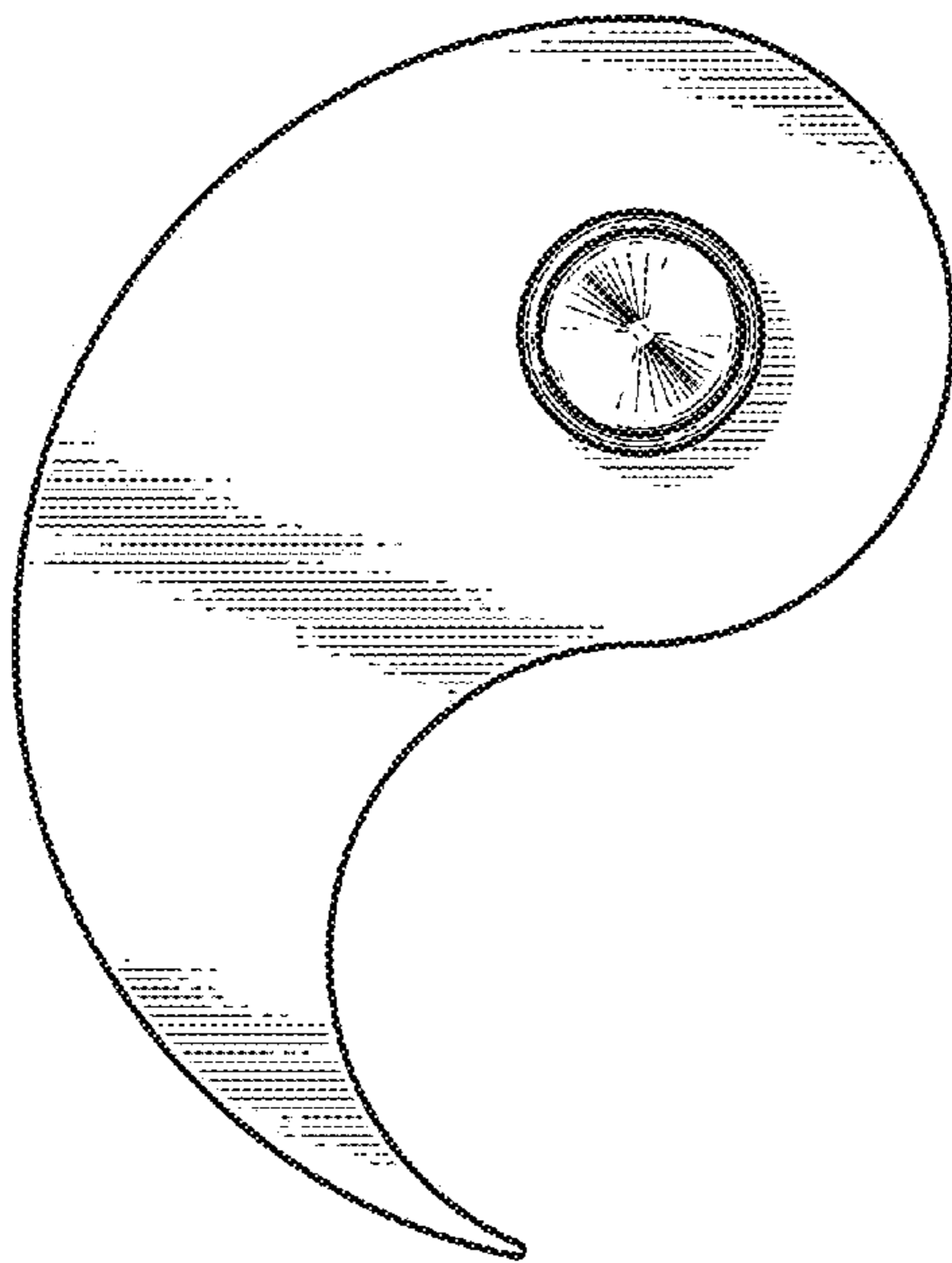


FIG. 6

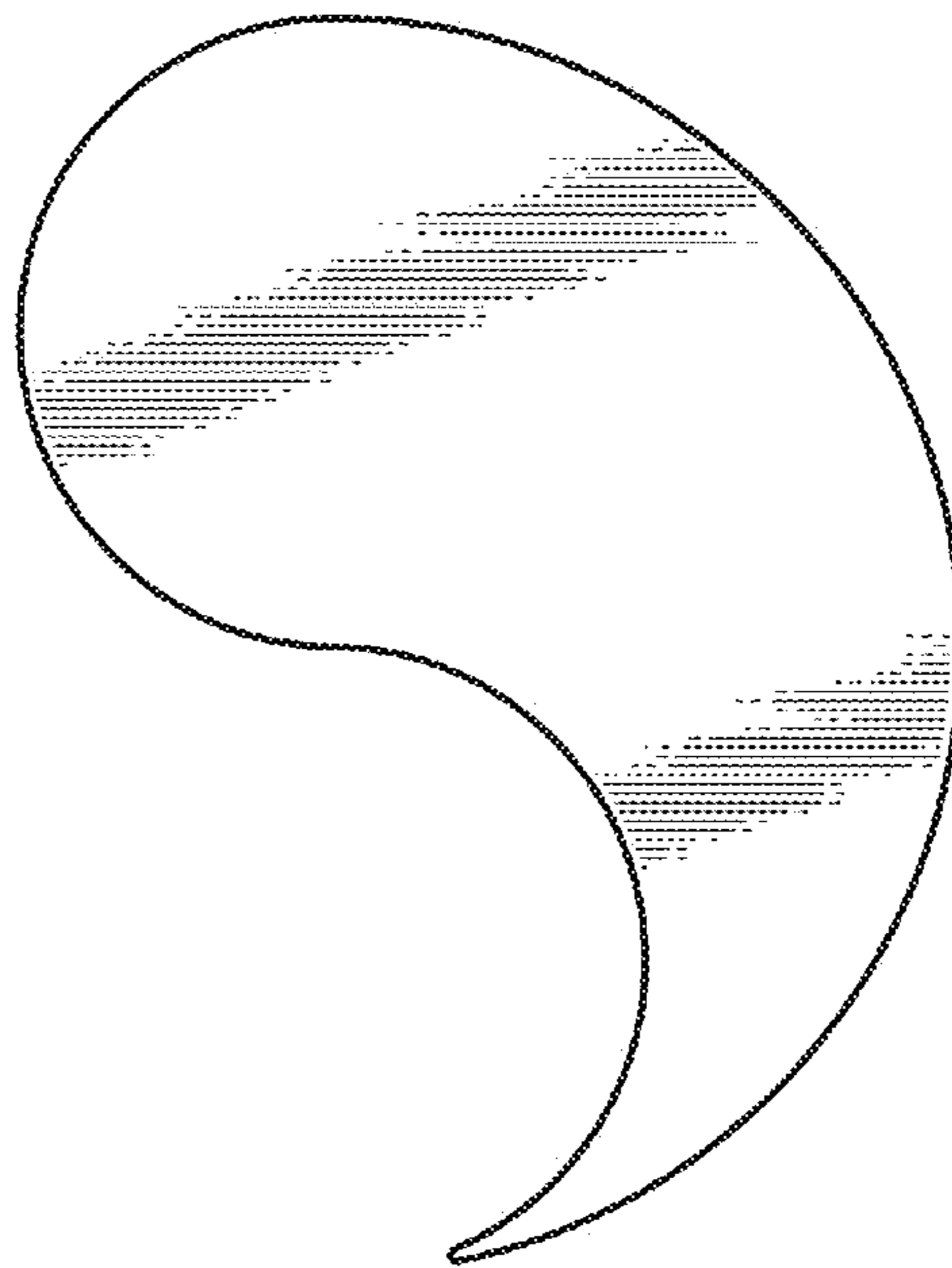


FIG. 7