



US00D711967S

(12) **United States Design Patent**
Bengyak

(10) **Patent No.:** **US D711,967 S**

(45) **Date of Patent:** **** Aug. 26, 2014**

(54) **HAND SIGN**

(71) Applicant: **Christopher Edward Bengyak**, Vero Beach, FL (US)

(72) Inventor: **Christopher Edward Bengyak**, Vero Beach, FL (US)

(**) Term: **14 Years**

(21) Appl. No.: **29/434,535**

(22) Filed: **Oct. 13, 2012**

(51) **LOC (10) Cl.** **20-03**

(52) **U.S. Cl.**
USPC **D20/29; D20/33**

(58) **Field of Classification Search**
CPC G09F 7/00; G09F 13/04; G09F 19/10;
G09F 21/02; G09F 12/026; G09F 13/00
USPC D20/10, 19, 22-33, 35-37, 99; 40/446,
40/538, 541, 584, 586; D2/615, 980;
D10/109.1, 109.2, 113.4; D21/400
See application file for complete search history.

(56) **References Cited**

U.S. PATENT DOCUMENTS

380,163	A	*	3/1888	Beatty	12/142	G
D360,653	S	*	7/1995	McKee	D20/33	
D429,285	S	*	8/2000	Schini	D20/32	
D633,945	S	*	3/2011	Scott	D20/33	
D662,549	S	*	6/2012	Bengyak	D20/29	
D662,990	S	*	7/2012	Bengyak	D20/29	
D663,361	S	*	7/2012	Bengyak	D20/29	
D665,457	S	*	8/2012	Bengyak	D20/29	
D666,675	S	*	9/2012	Bengyak	D20/29	
D667,059	S	*	9/2012	Bengyak	D20/29	
D667,887	S	*	9/2012	Bengyak	D20/29	
D681,736	S	*	5/2013	Bengyak	D20/29	
D684,633	S	*	6/2013	Bengyak	D20/29	

OTHER PUBLICATIONS

Diamond and Sock—Trademark Registration No. 3545459, Dec. 9, 2008 First used in commerce—Jan. 1, 1991 Chicago White Sox, Ltd. Chisox Corporation.*

* cited by examiner

Primary Examiner — Mary Ann Calabrese

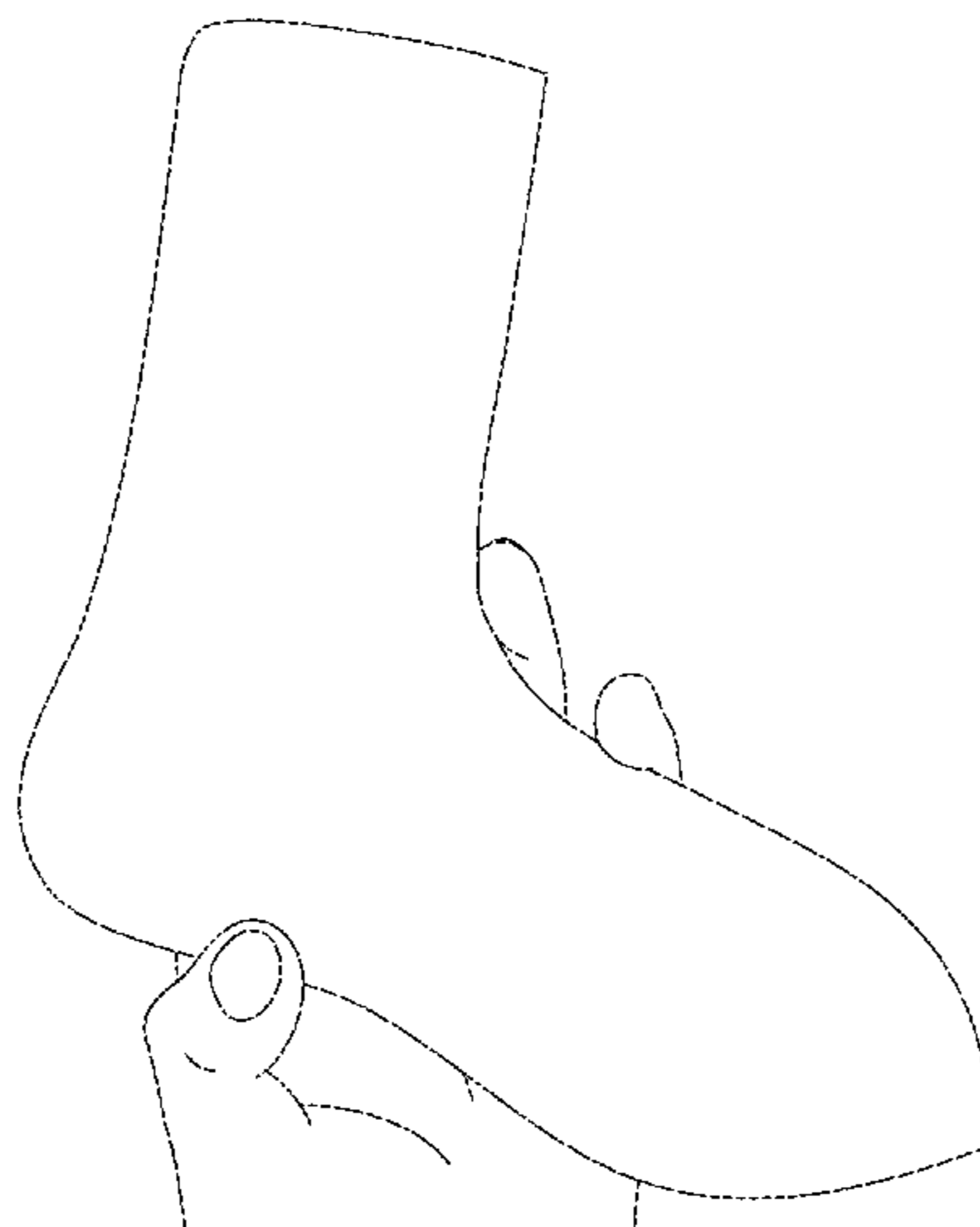
(57) **CLAIM**

The ornamental design for a hand sign, as shown and described.

DESCRIPTION

FIG. 1 is a right-side elevational view of a first embodiment of a left-hand hand sign according to the invention;
 FIG. 2 is a left-side elevational view of the left-hand hand sign of FIG. 1;
 FIG. 3 is an enlarged rear elevational view of the left-hand hand sign of FIG. 1;
 FIG. 4 is an enlarged front elevational view of the left-hand hand sign of FIG. 1;
 FIG. 5 is an enlarged top plan view of the left-hand hand sign of FIG. 1;
 FIG. 6 is an enlarged bottom plan view of the left-hand hand sign of FIG. 1;
 FIG. 7 is a perspective view from below the front of the right side of the left-hand hand sign of FIG. 1;
 FIG. 8 is a left-side elevational view of a second embodiment of a right-hand hand sign according to the invention;
 FIG. 9 is a right-side elevational view of the right-hand hand sign of FIG. 8;
 FIG. 10 is an enlarged front elevational view of the right-hand hand sign of FIG. 8;
 FIG. 11 is an enlarged rear elevational view of the right-hand hand sign of FIG. 8;
 FIG. 12 is an enlarged top plan view of the right-hand hand sign of FIG. 8;
 FIG. 13 is an enlarged bottom plan view of the right-hand hand sign of FIG. 8; and,
 FIG. 14 is a perspective view from below the front of the left side of the right-hand hand sign of FIG. 8.

1 Claim, 10 Drawing Sheets



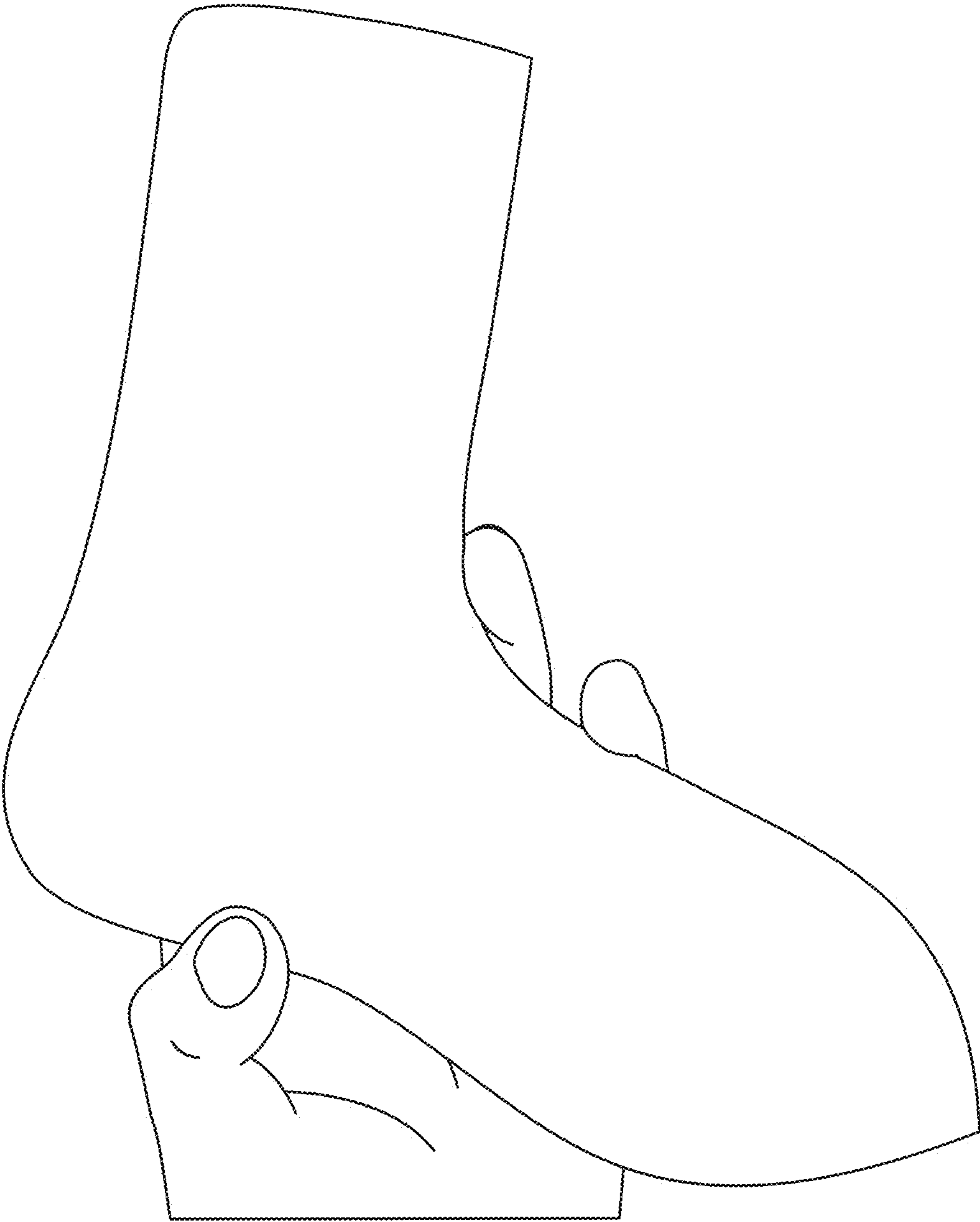


FIG. 1

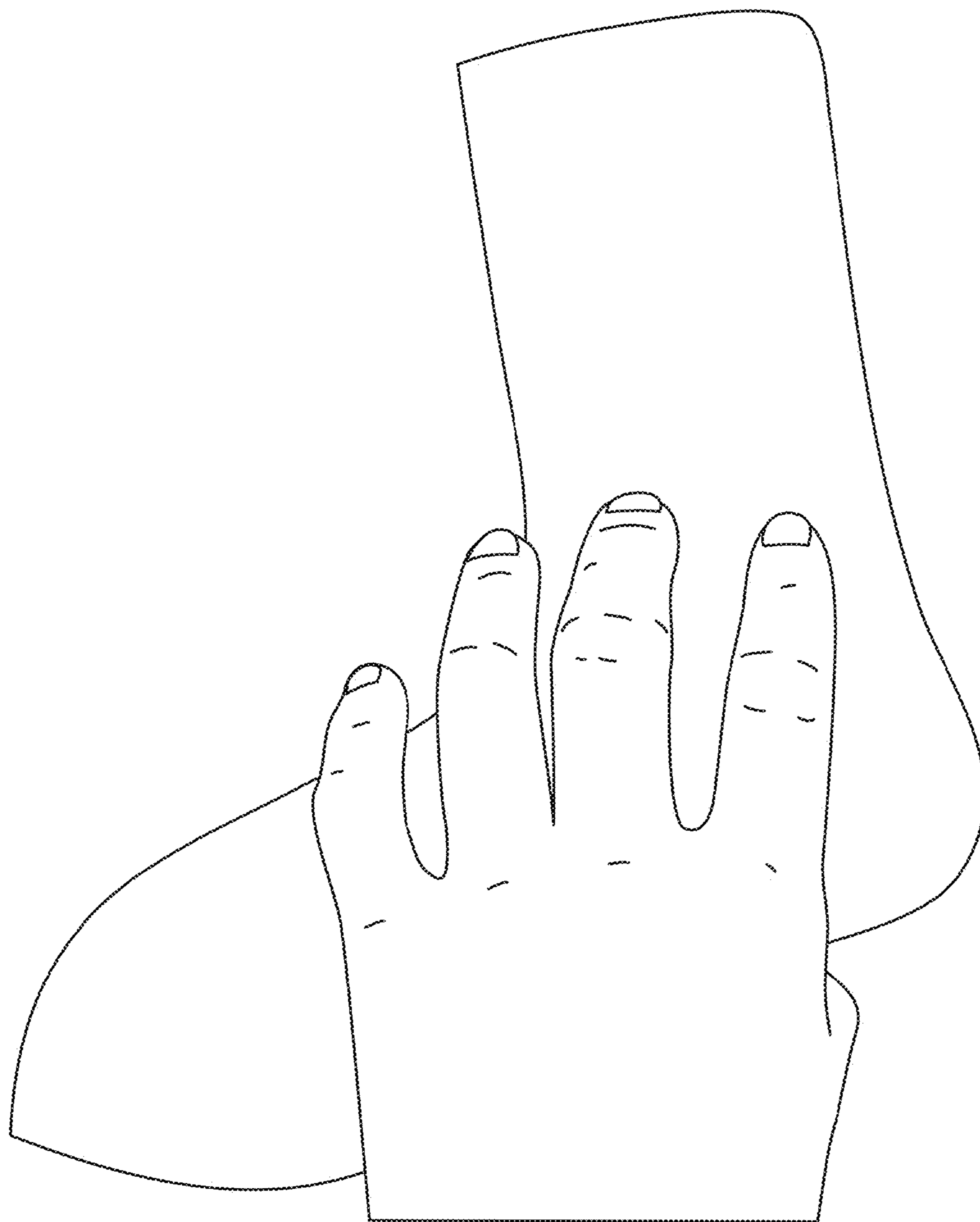


FIG. 2

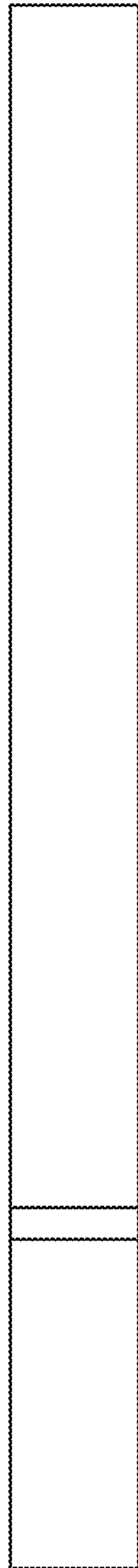


FIG. 3



FIG. 4



FIG. 5

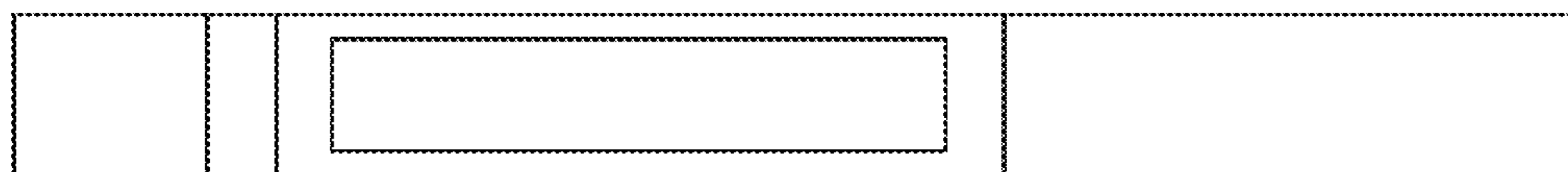


FIG. 6

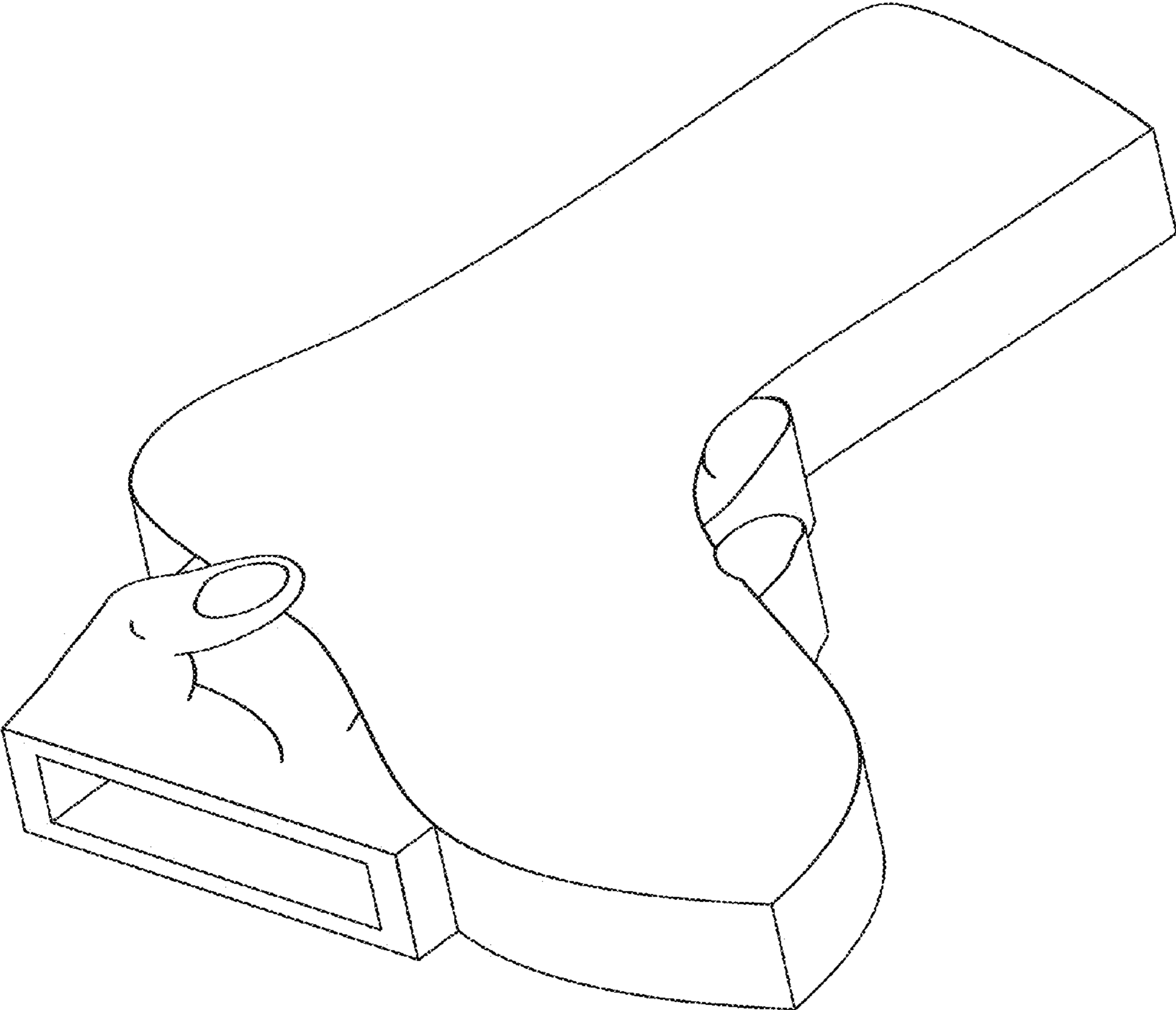


FIG. 7

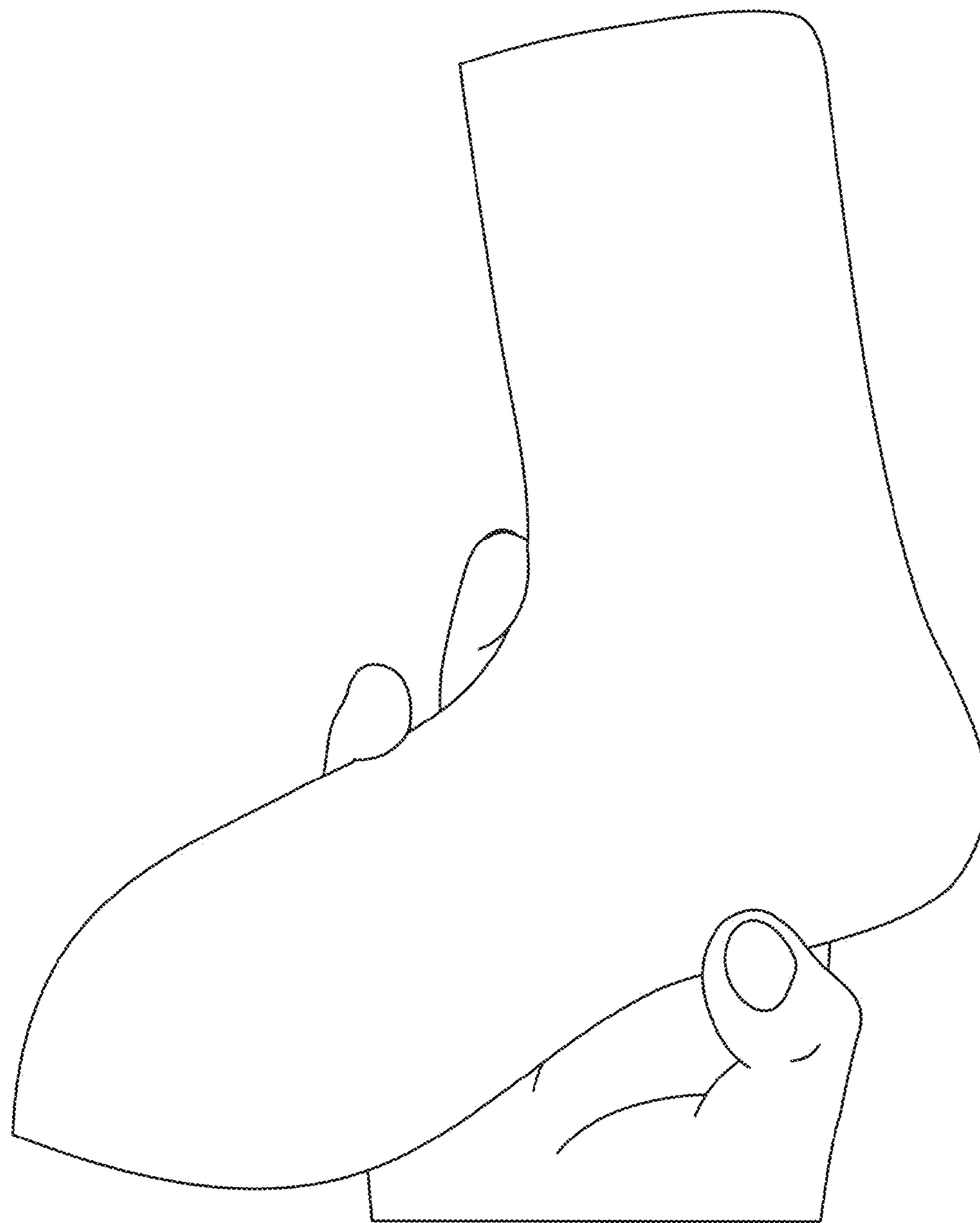


FIG. 8

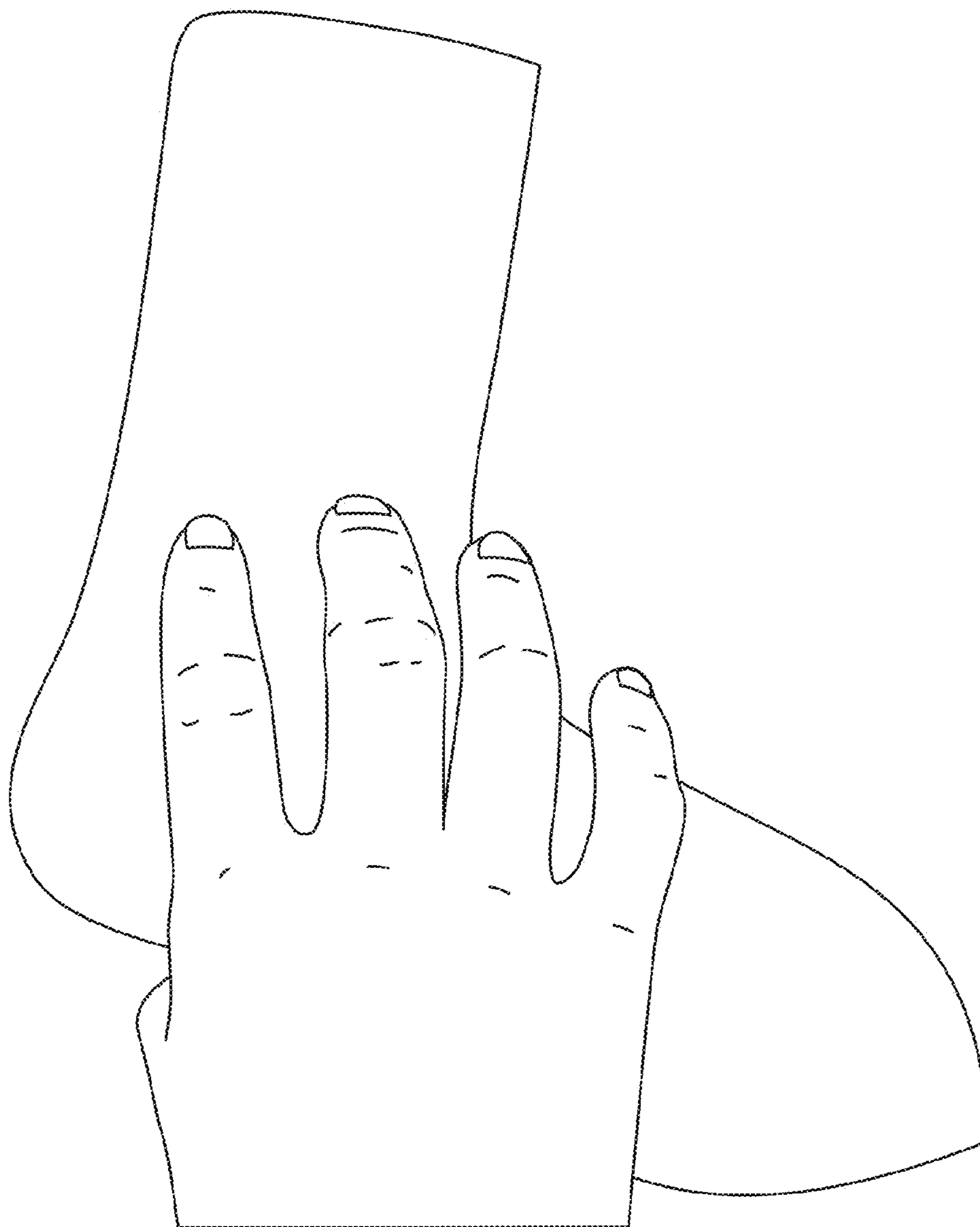


FIG. 9

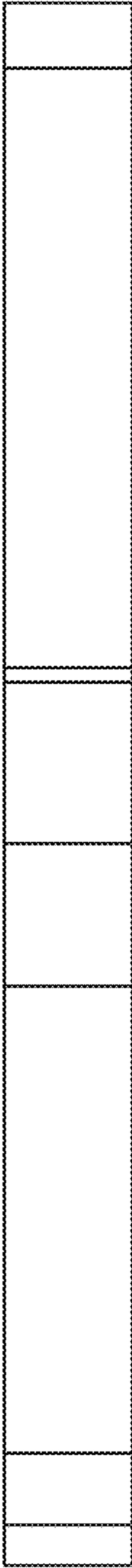


FIG. 10

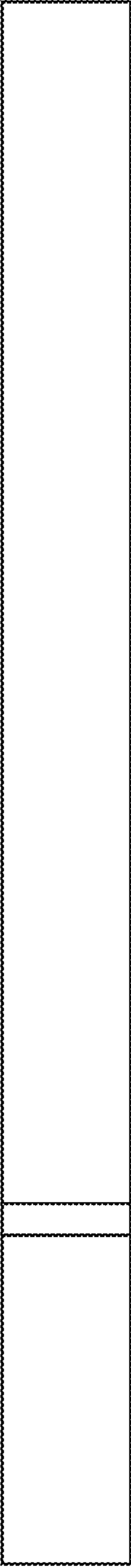


FIG. 11

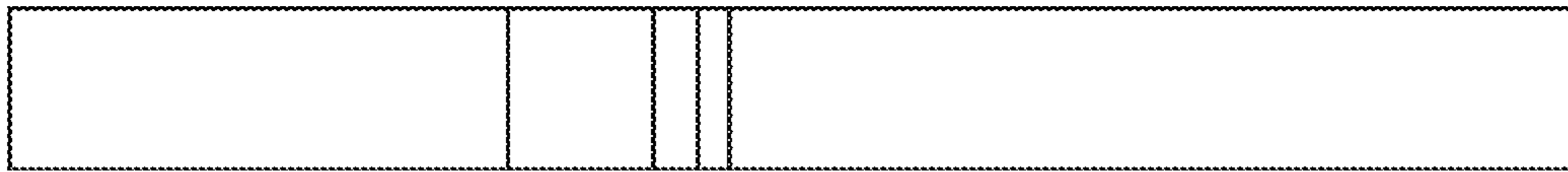


FIG. 12

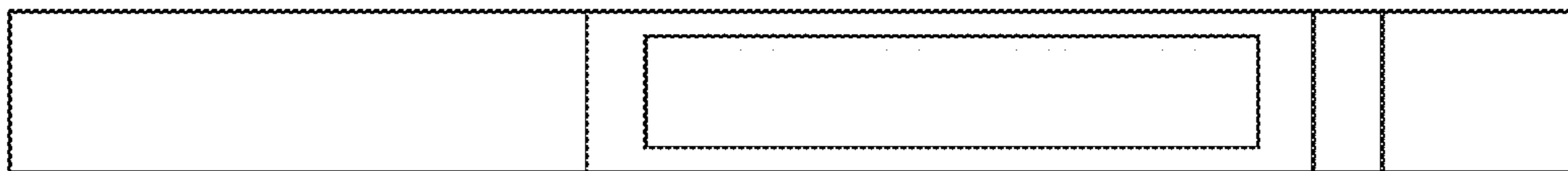


FIG. 13

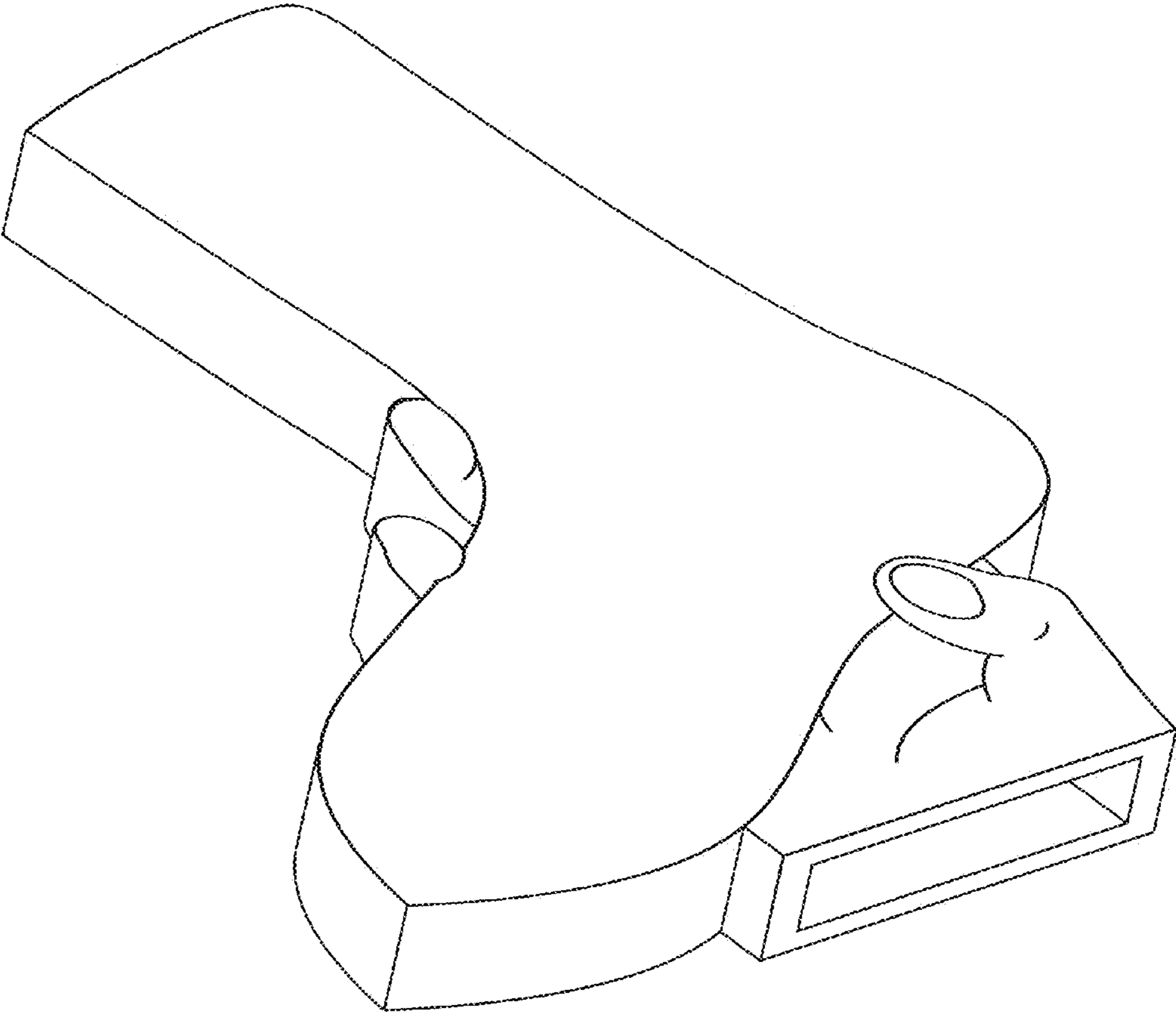


FIG. 14