



US00D711965S

(12) **United States Design Patent**
Nodera et al.

(10) **Patent No.:** **US D711,965 S**
(45) **Date of Patent:** **** Aug. 26, 2014**

(54) **SHUTTER OF A POWDER CONTAINER**

(71) Applicants: **Kentaro Nodera**, Sagamihara (JP);
Teppei Kikuchi, Yokohama (JP); **Akira Fujimori**, Yokohama (JP); **Hideki Kosugi**, Yokohama (JP); **Tatsuya Kubo**, Kawasaki (JP); **Shinnosuke Koshizuka**, Fujisawa (JP)

(72) Inventors: **Kentaro Nodera**, Sagamihara (JP);
Teppei Kikuchi, Yokohama (JP); **Akira Fujimori**, Yokohama (JP); **Hideki Kosugi**, Yokohama (JP); **Tatsuya Kubo**, Kawasaki (JP); **Shinnosuke Koshizuka**, Fujisawa (JP)

(73) Assignee: **Ricoh Company, Ltd.**, Tokyo (JP)

(**) Term: **14 Years**

(21) Appl. No.: **29/447,915**

(22) Filed: **Mar. 7, 2013**

(51) **LOC (10) Cl.** **16-03**

(52) **U.S. Cl.**
USPC **D18/43**

(58) **Field of Classification Search**
USPC D14/471; D18/12, 36, 40, 43, 44, 56;
222/DIG. 1; 347/197, 222; 399/24–28,
399/107–112, 119, 121, 122, 222–224
See application file for complete search history.

(56) **References Cited**

U.S. PATENT DOCUMENTS

D246,373	S	*	11/1977	Crandell et al.	D18/44
D299,929	S	*	2/1989	Yomo	D18/44
5,091,750	A	*	2/1992	Yoshida et al.	399/106
D333,832	S	*	3/1993	Suzuki et al.	D18/40
D366,059	S	*	1/1996	Evanoff et al.	D18/56

D373,787	S	*	9/1996	Isomoto et al.	D18/40
D375,322	S	*	11/1996	Nagashima et al.	D18/40
D382,011	S	*	8/1997	Agata et al.	D18/43
D425,930	S	*	5/2000	Kurisu	D18/43
D435,586	S	*	12/2000	Kunihiro et al.	D18/40
D505,443	S	*	5/2005	Saldana et al.	D18/40
D574,039	S	*	7/2008	Saito et al.	D18/43
2013/0209140	A1	*	8/2013	Murakami et al.	399/258

OTHER PUBLICATIONS

U.S. Appl. No. 29/447,644, filed Mar. 5, 2013, Nodera, et al.
U.S. Appl. No. 29/447,639, filed Mar. 5, 2013, Nodera, et al.
U.S. Appl. No. 29/447,633, filed Mar. 5, 2013, Nodera, et al.
U.S. Appl. No. 13/783,528, filed Mar. 4, 2013, Nodera, et al.

* cited by examiner

Primary Examiner — Elizabeth Albert

(74) *Attorney, Agent, or Firm* — Oblon, Spivak, McClelland, Maier & Neustadt, L.L.P.

(57) **CLAIM**

The ornamental design for a shutter of a powder container, as shown and described.

DESCRIPTION

FIG. 1 is a front elevational view of a first embodiment of a shutter of a powder container;
FIG. 2 is a rear elevational view thereof;
FIG. 3 is a left side elevational view thereof;
FIG. 4 is a right side elevational view thereof;
FIG. 5 is a top plan view thereof;
FIG. 6 is a bottom plan view thereof;
FIG. 7 is a front, bottom, and left side perspective view thereof; and,
FIG. 8 is a rear, bottom, and right side perspective view thereof.
The broken lines in the drawings depict environmental subject matter only and form no part of the claimed design.

1 Claim, 8 Drawing Sheets

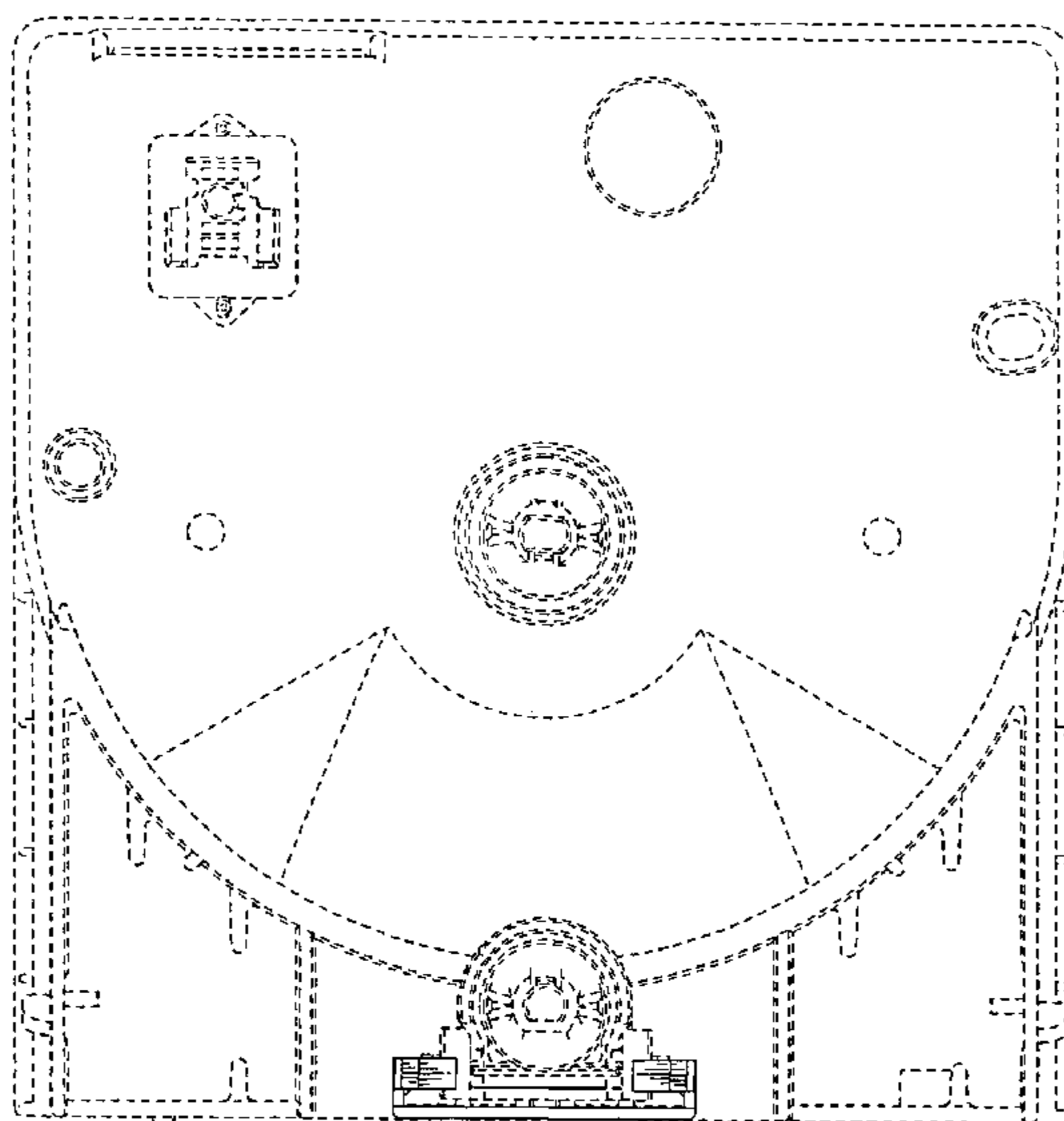


FIG. 1

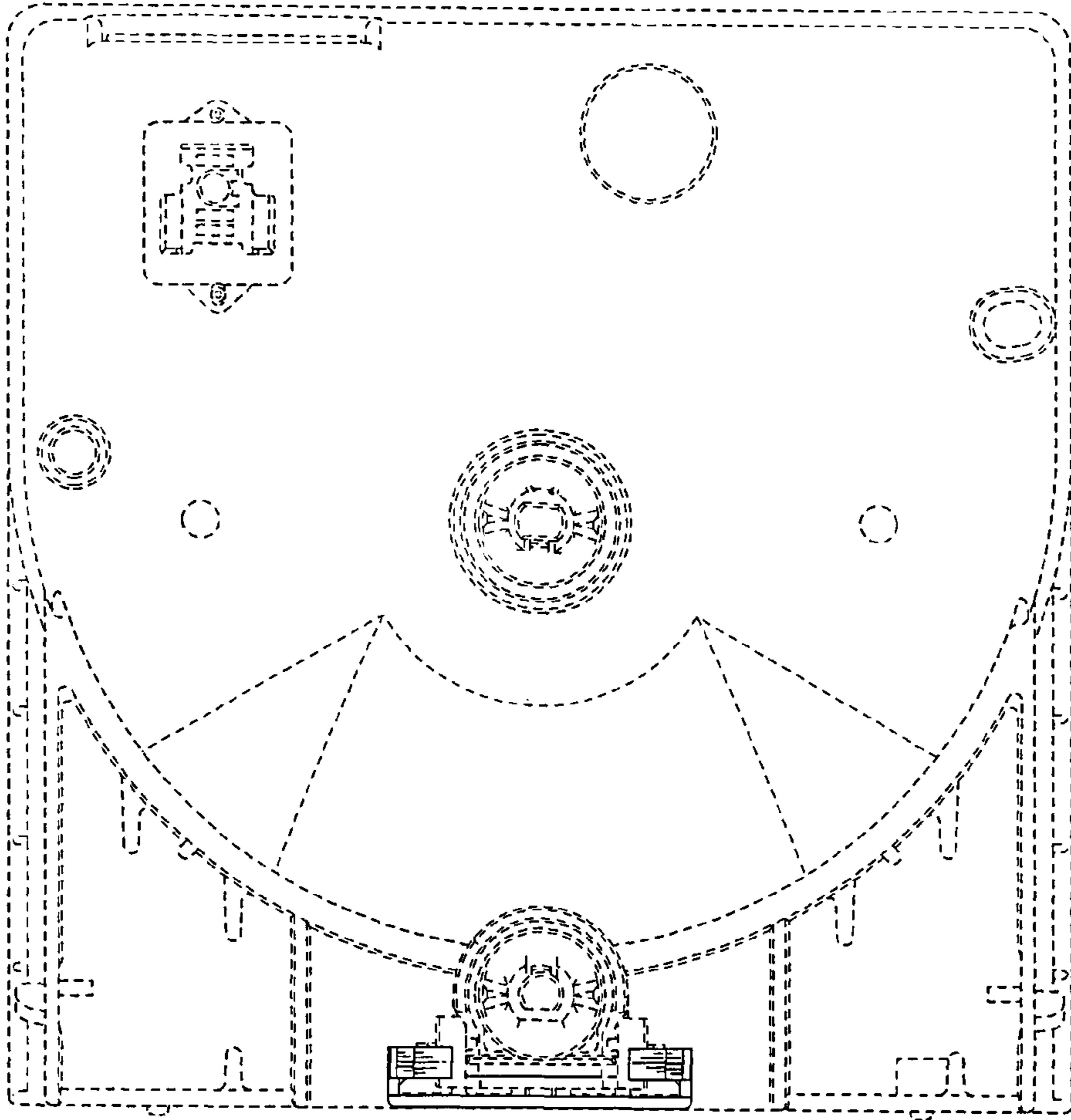


FIG. 2

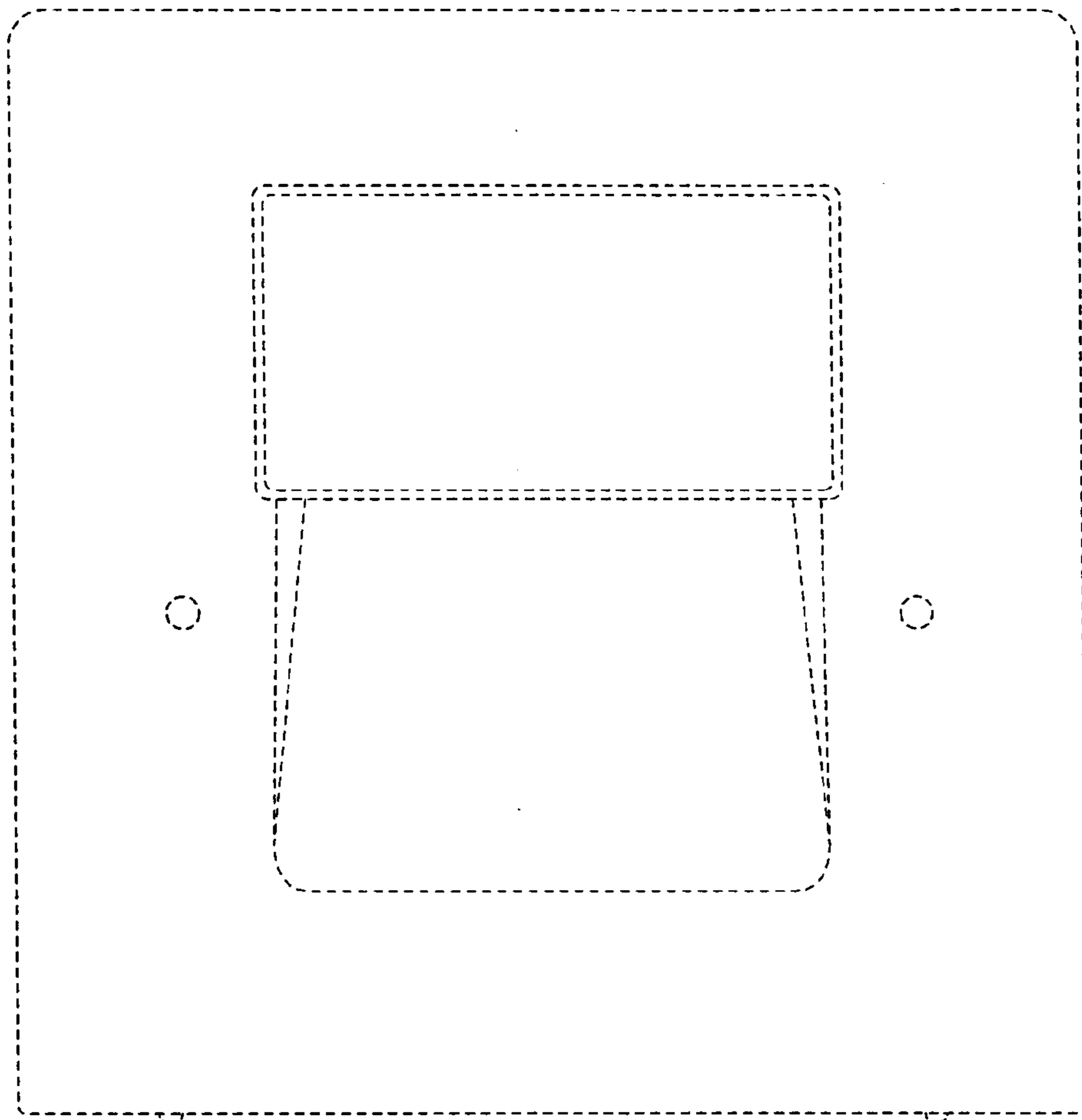


FIG. 3

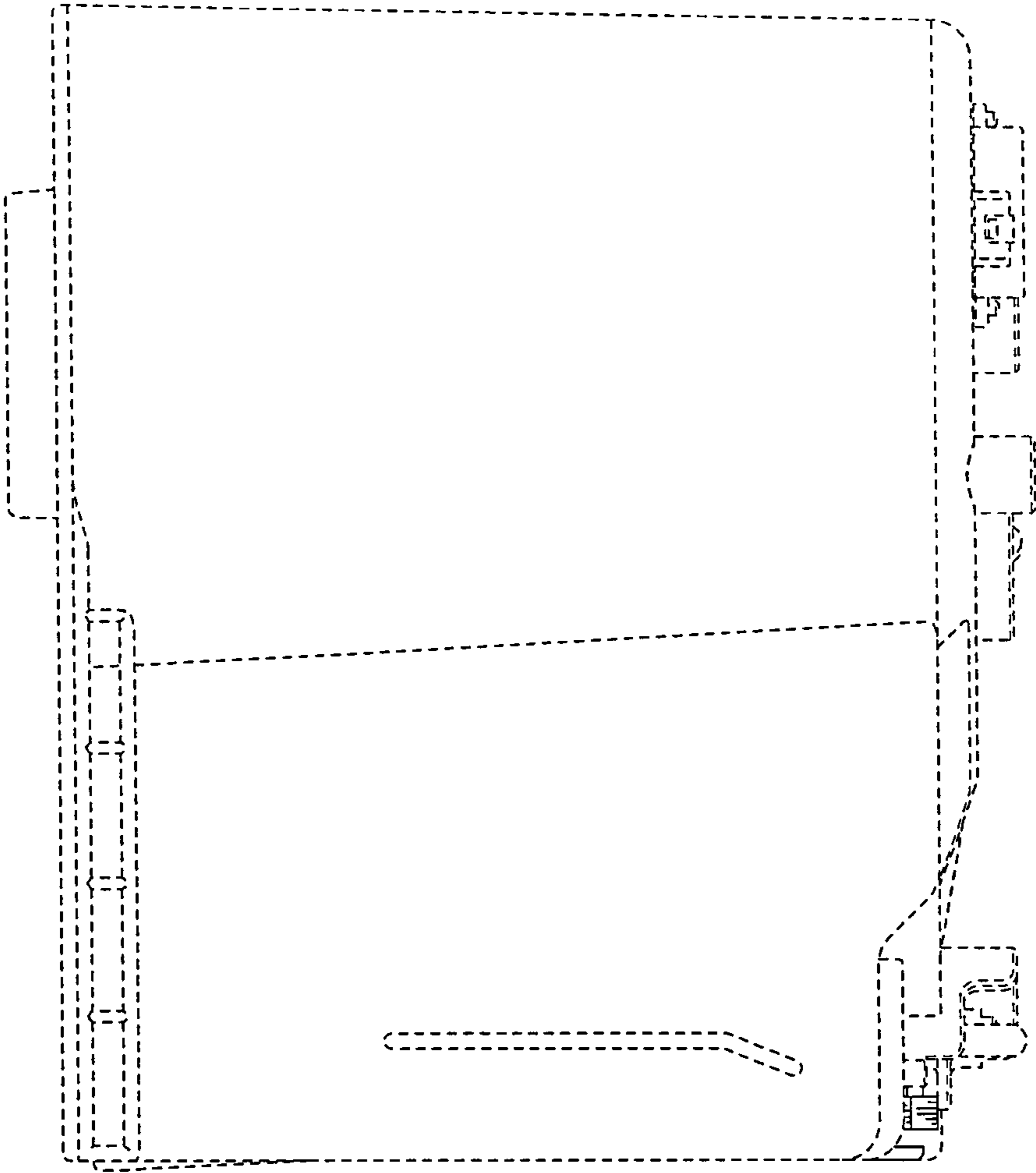


FIG. 4

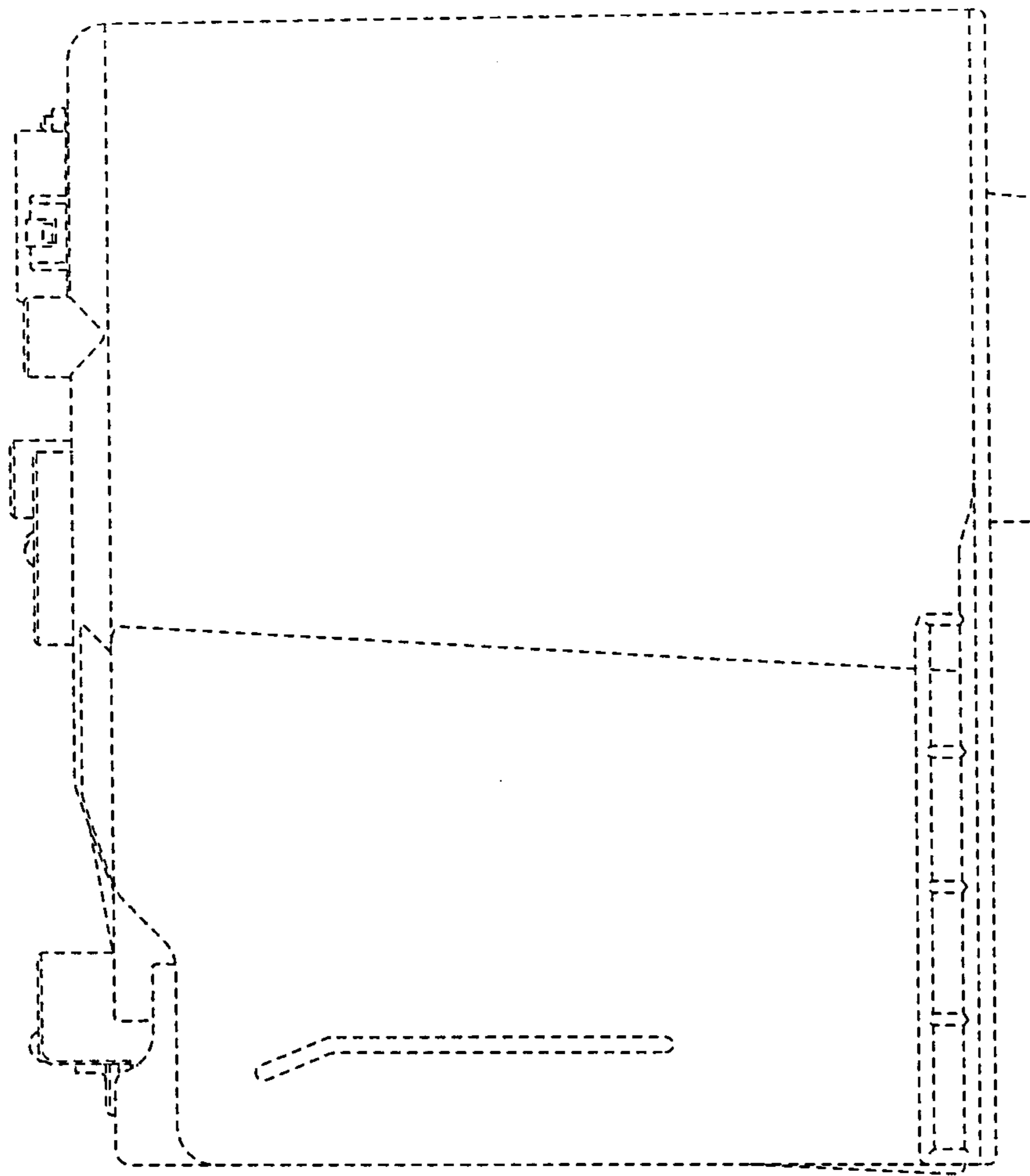


FIG. 5

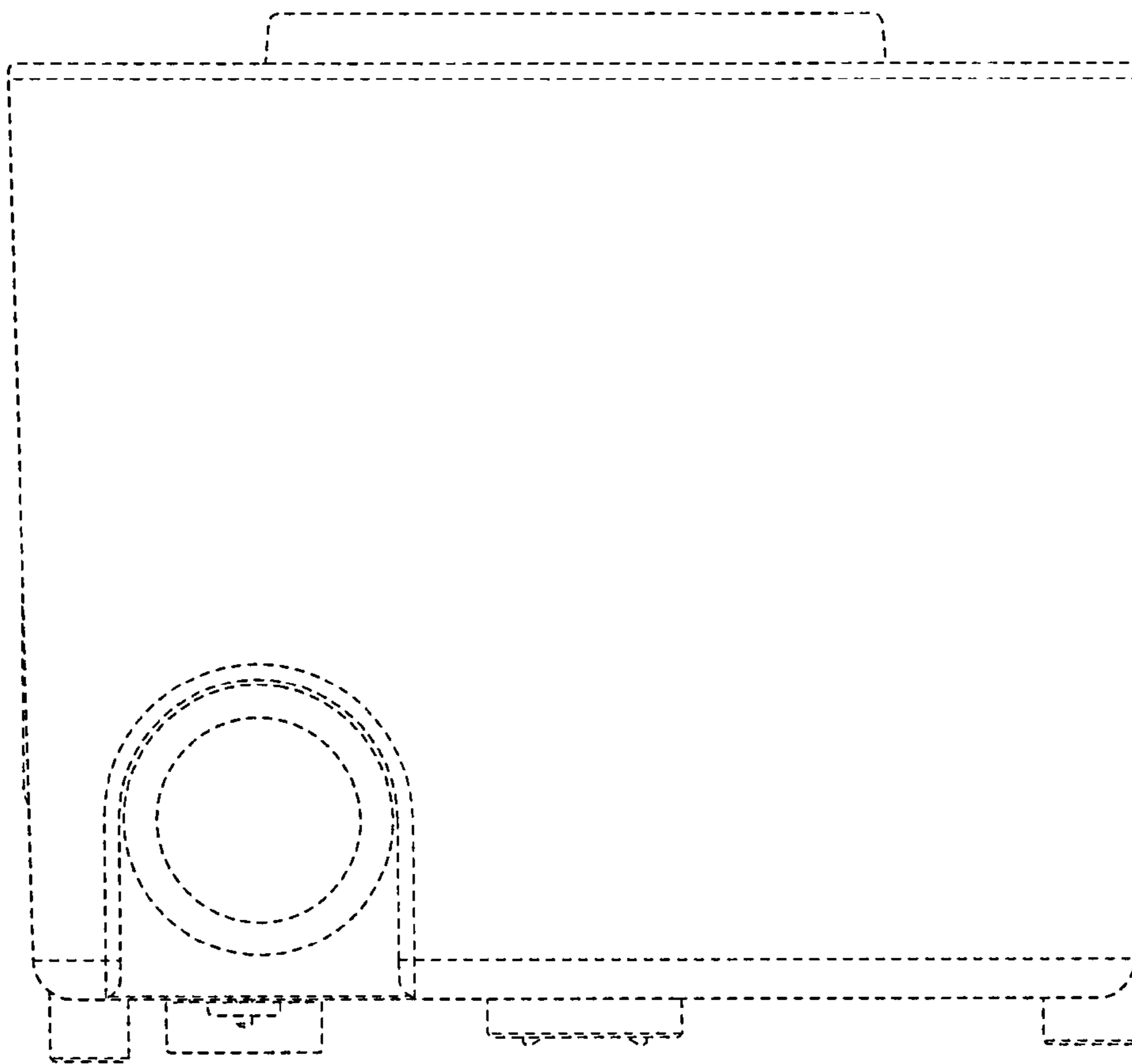
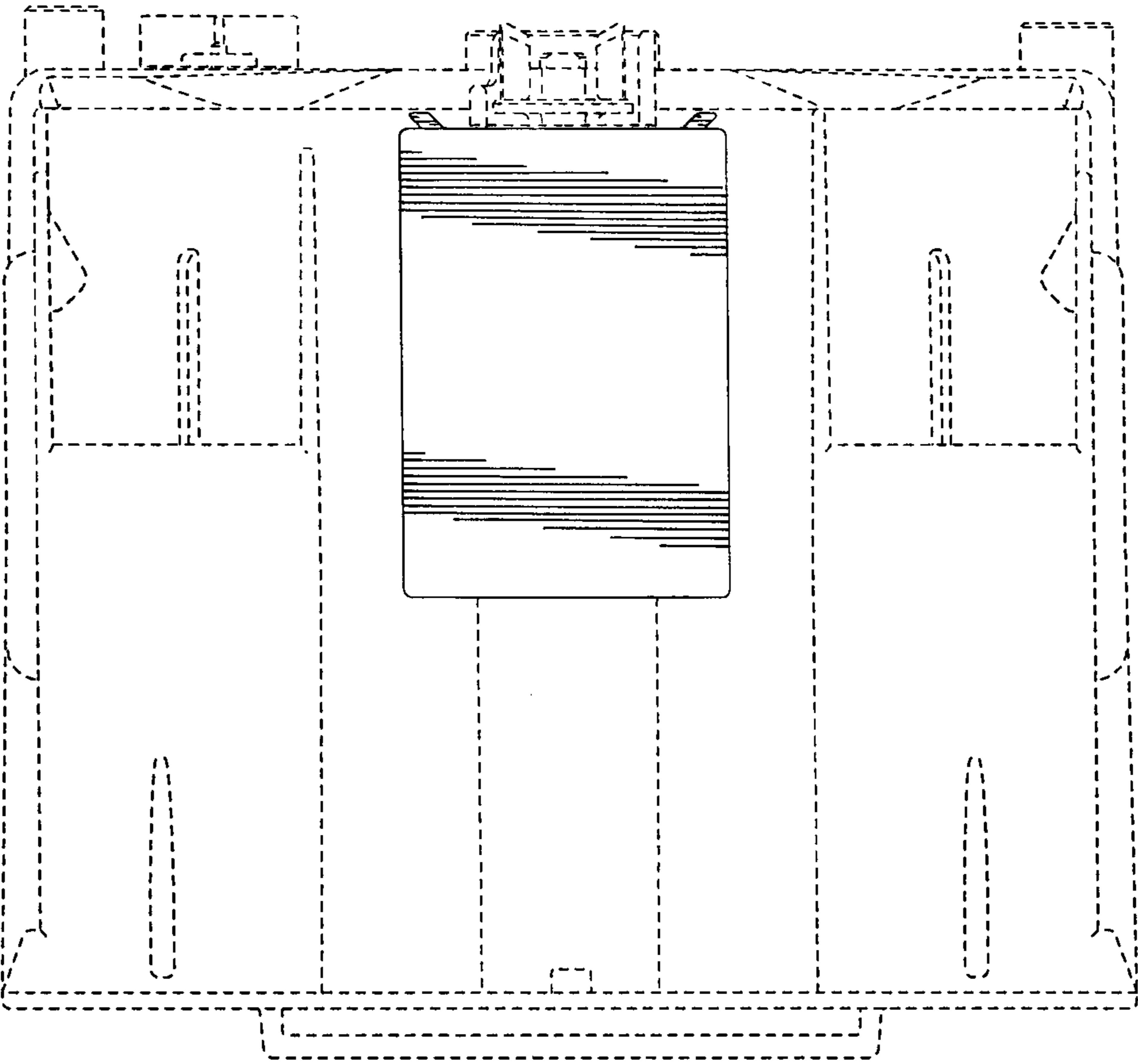


FIG. 6



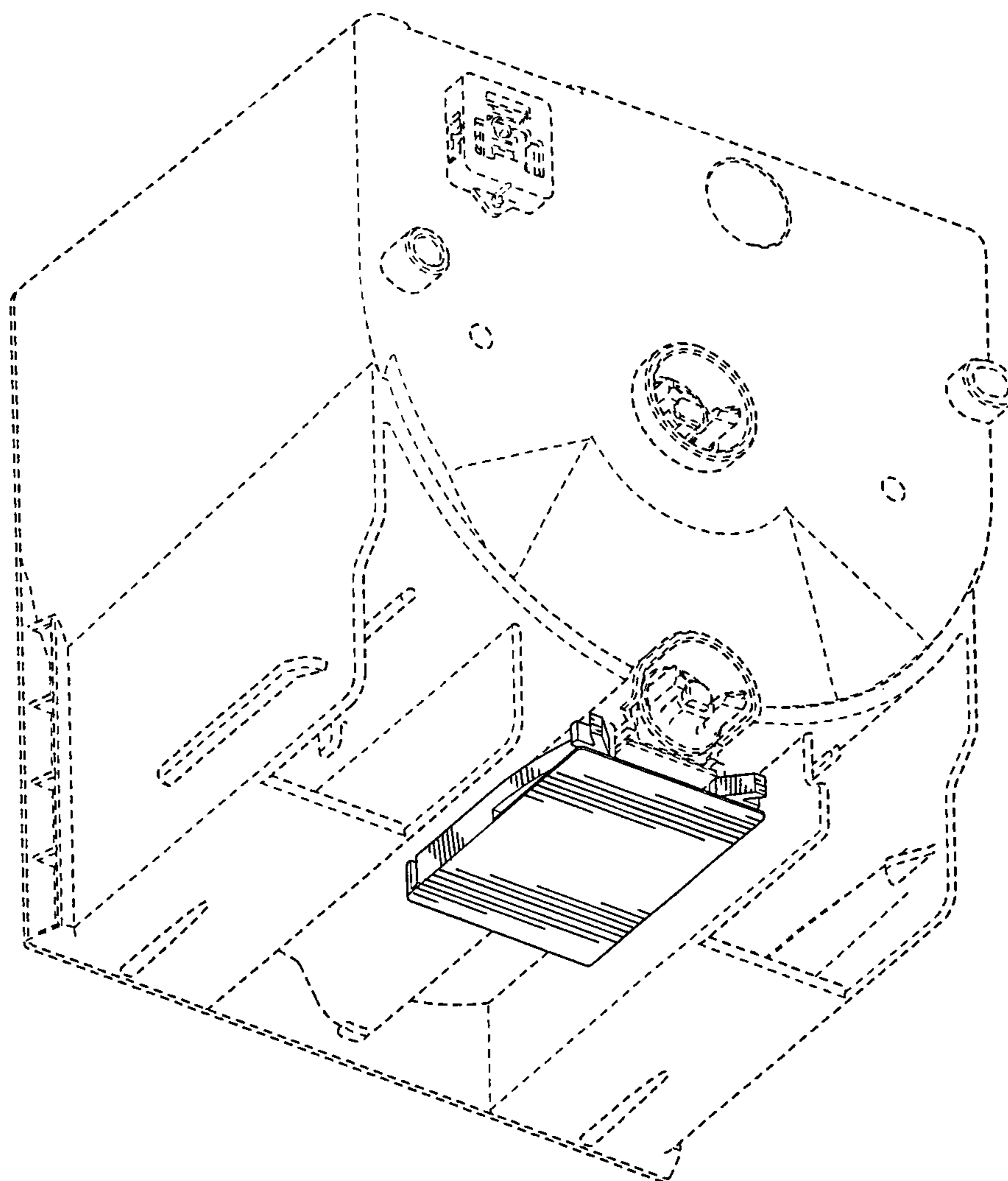


FIG. 7

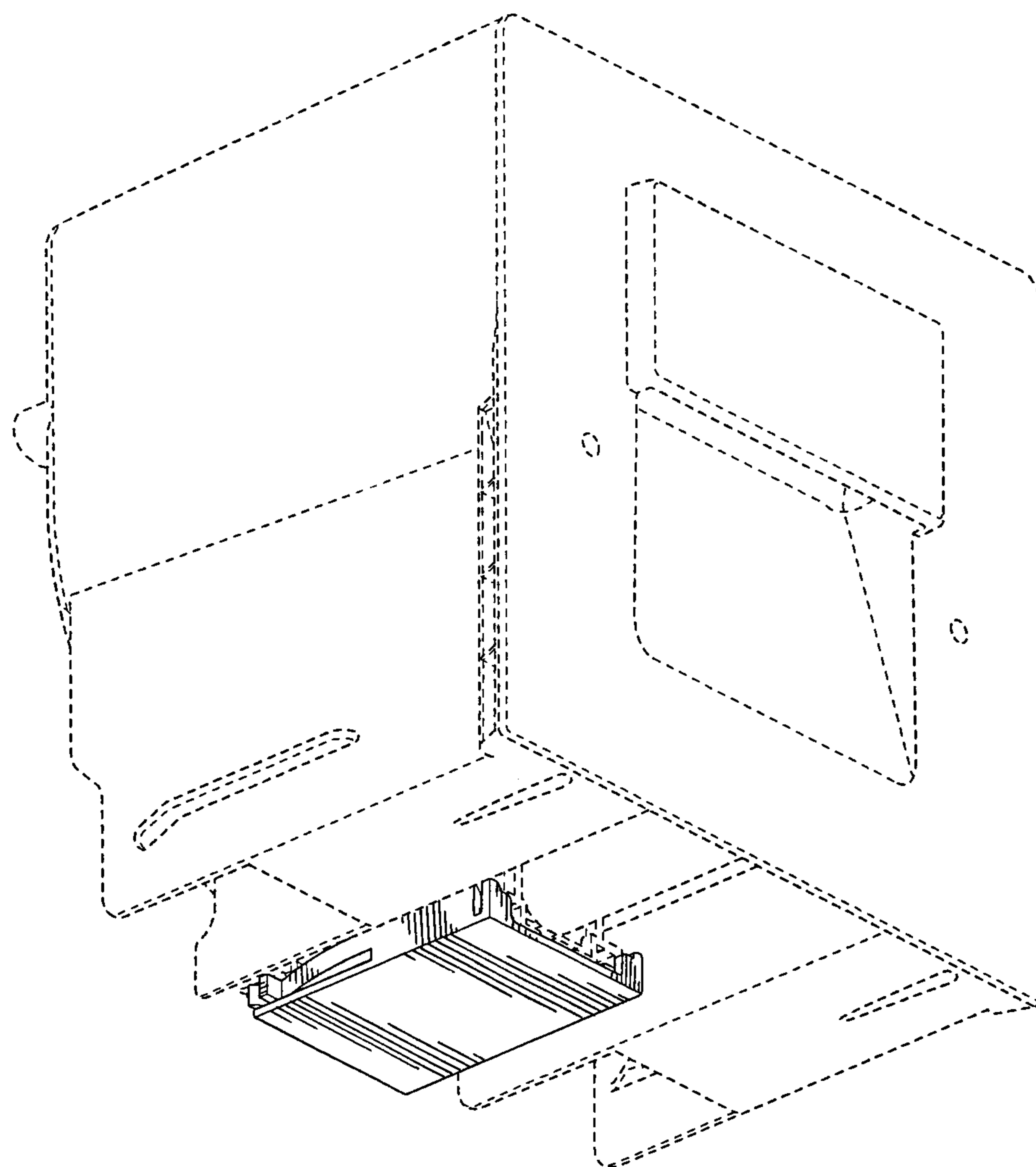


FIG. 8