



US00D711956S

(12) **United States Design Patent**
Adams

(10) **Patent No.:** **US D711,956 S**

(45) **Date of Patent:** **** Aug. 26, 2014**

(54) **MOBILE DEVICE CAMERA ENCLOSURE**

(71) Applicant: **I.AM.SYMBOLIC, LLC**, Beverly Hills, CA (US)

(72) Inventor: **William Adams**, Los Angeles, CA (US)

(73) Assignee: **I.AM.SYMBOLIC, LLC**, Beverly Hills, CA (US)

(**) Term: **14 Years**

(21) Appl. No.: **29/446,392**

(22) Filed: **Feb. 22, 2013**

Related U.S. Application Data

(63) Continuation-in-part of application No. 29/436,887, filed on Nov. 9, 2012.

(51) **LOC (10) CL.** **16-05**

(52) **U.S. CL.**
USPC **D16/237; D16/208**

(58) **Field of Classification Search**
USPC D3/219, 267-278; D9/435, 445, 453, D9/454; D14/203.3, 203.4, 250, 345, 440, D14/449; D16/237, 241; 362/3, 16-18, 182, 362/552

See application file for complete search history.

(56) **References Cited**

U.S. PATENT DOCUMENTS

D432,153	S *	10/2000	Cooper et al.	D16/237
D453,177	S *	1/2002	Uehara	D16/204
D540,364	S *	4/2007	Ishii	D16/219
D540,841	S *	4/2007	Yamagishi	D16/219
7,653,291	B2 *	1/2010	Yeom	396/27
7,751,697	B2 *	7/2010	Gourova	396/27
D626,746	S *	11/2010	Roman	D3/269
D638,005	S *	5/2011	Richardson et al.	D14/250
8,233,082	B2 *	7/2012	Yamamoto	348/375
D669,587	S *	10/2012	Mayer	D24/158

D687,026	S *	7/2013	Ruvolo	D14/250
2007/0268371	A1	11/2007	Misawa		
2007/0280677	A1	12/2007	Drake		
2010/0100839	A1	4/2010	Tseng		

(Continued)

OTHER PUBLICATIONS

Will.I.Am unveils Foto. Soshoby Trevor Mogg dated Nov. 29, 2012, found online [Dec. 18 2013] <http://www.digitaltrends.com/mobile/will-i-am-unveil-foto-soshoby-iphone-camera-attachment-to-make-a-genius-phone/>.

(Continued)

Primary Examiner — Robert M Spear

Assistant Examiner — Marissa Cash

(74) *Attorney, Agent, or Firm* — Workman Nydegger

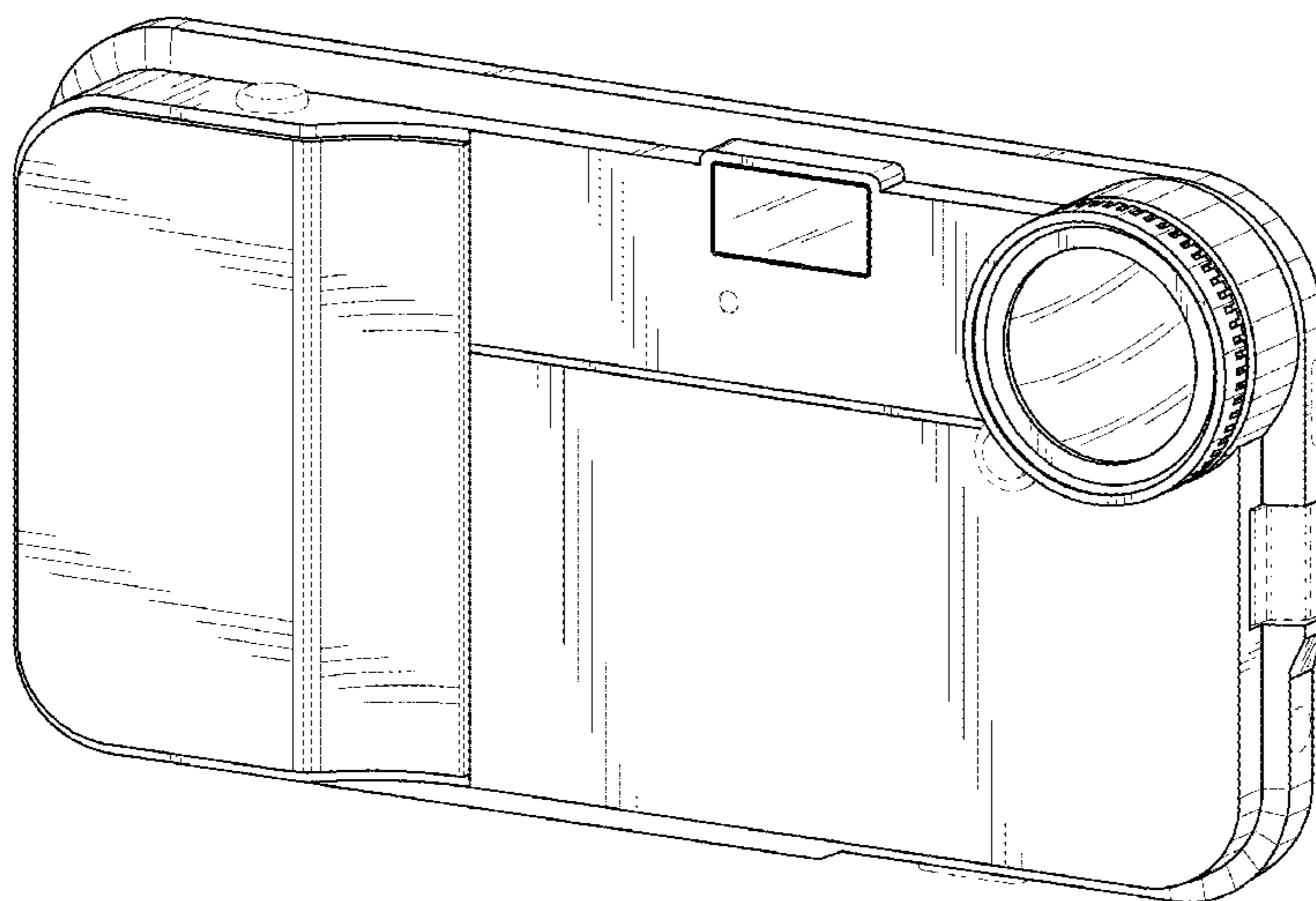
(57) **CLAIM**

The ornamental design for mobile device camera enclosure, as shown and described.

DESCRIPTION

FIG. 1 illustrates a front perspective view of the mobile device camera enclosure, of the present invention; FIG. 2 illustrates a front elevational view of the mobile device camera enclosure, as shown in FIG. 1; FIG. 3 illustrates a back elevational view of the mobile device camera enclosure, as shown in FIG. 1; FIG. 4 illustrates a right side elevational view of the mobile device camera enclosure, as shown in FIG. 1; FIG. 5 illustrates a left side elevational view of the mobile device camera enclosure, as shown in FIG. 1; FIG. 6 illustrates a top plan view of the mobile device camera enclosure, as shown in FIG. 1; and, FIG. 7 illustrates a bottom plan view of the mobile device camera enclosure, as shown in FIG. 1. The broken lines in the drawings represent unclaimed environmental subject matter and form no part of the claim.

1 Claim, 5 Drawing Sheets



(56)

References Cited

U.S. PATENT DOCUMENTS

2011/0058255 A1 3/2011 Weiss
2011/0110654 A1 5/2011 Maki
2012/0000908 A1 1/2012 So
2012/0114319 A1 5/2012 Kishida
2012/0236157 A1 9/2012 Askey
2013/0146625 A1* 6/2013 Karle et al. 224/217

OTHER PUBLICATIONS

Will.i.am launches pricey i.am by Sharif Sakr dated 2013, found online [Dec. 18 2013] <http://www.engadget.com/2012/11/28/will-i-am-iphone-accessories-hands-on/>.*

International Search Report and Written Opinion for PCT/US2013/069225 dated Jan. 10, 2014.

International Search Report and Written Opinion for PCT/US2013/69222 dated Feb. 21, 2014.

* cited by examiner

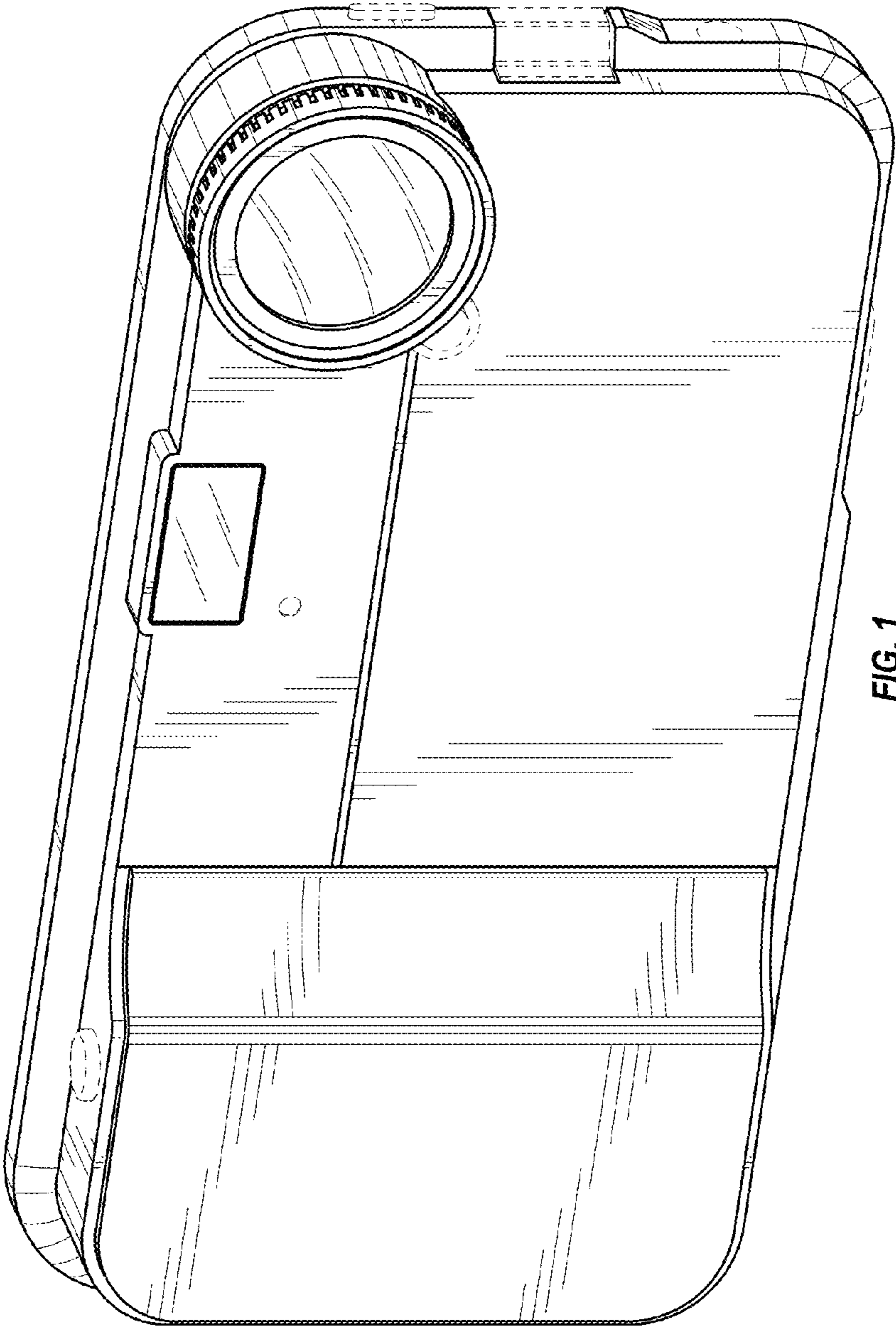


FIG. 1

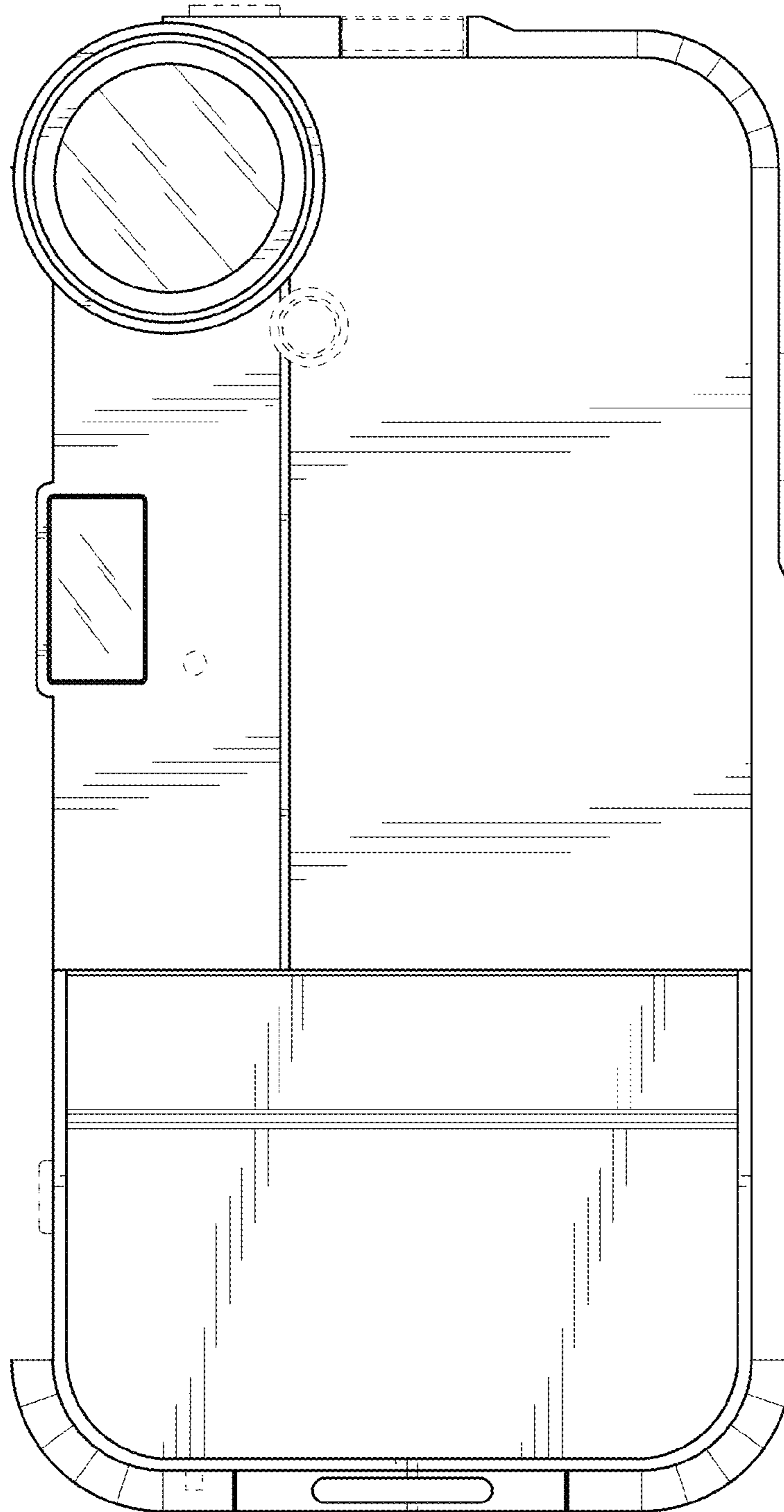


FIG. 2

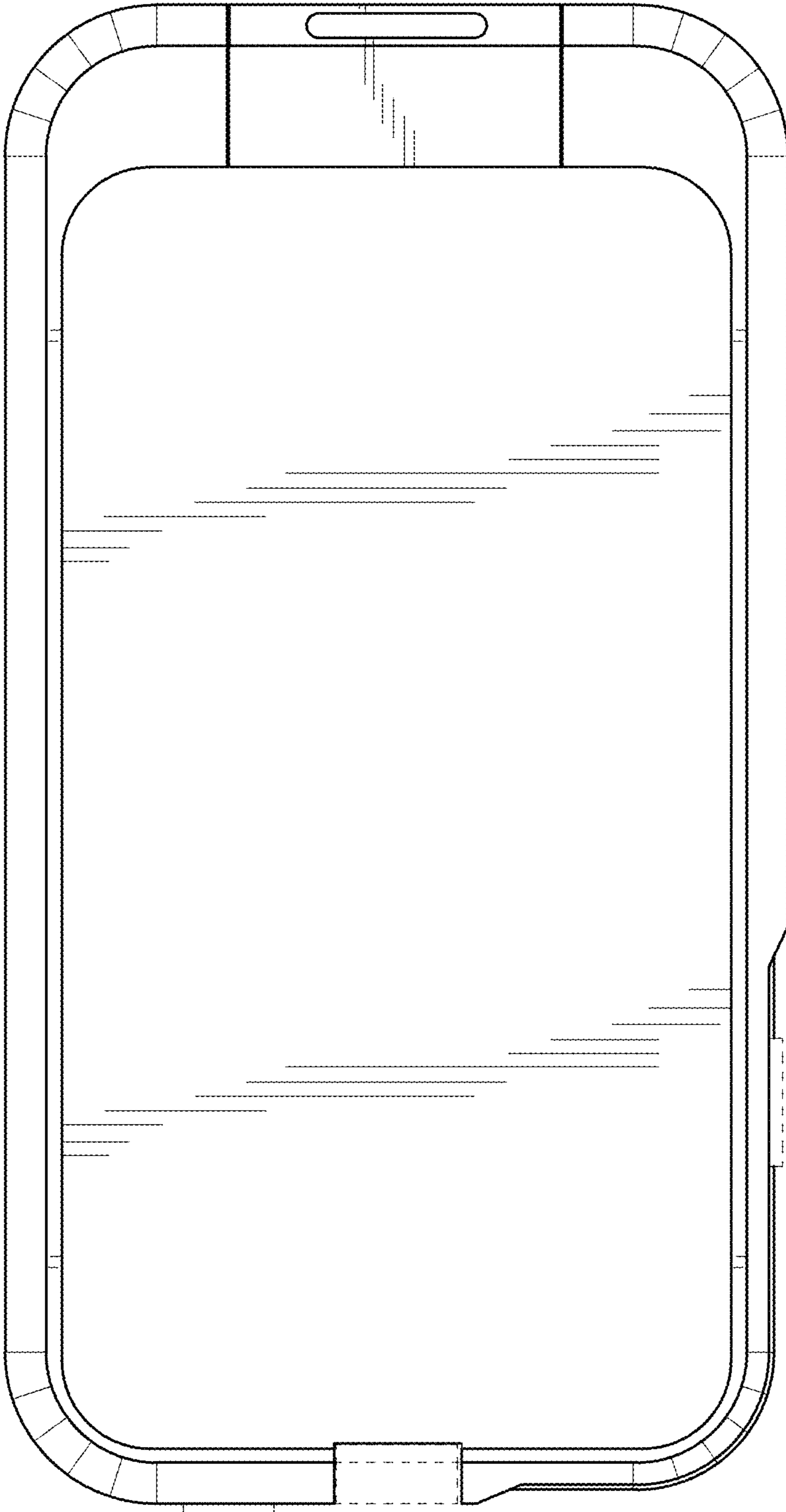


FIG. 3

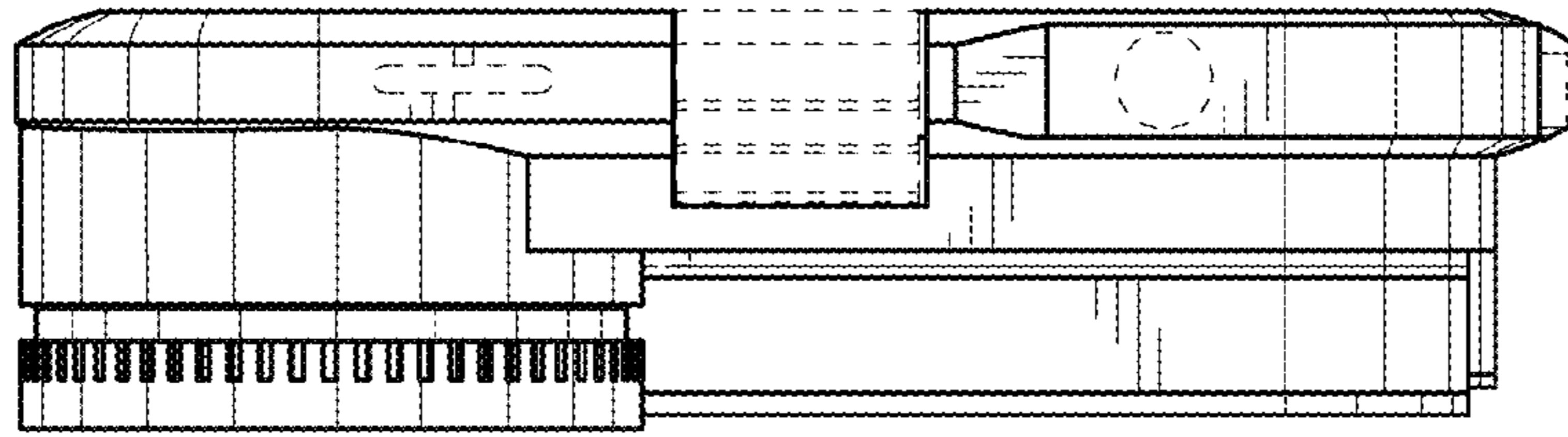


FIG. 5

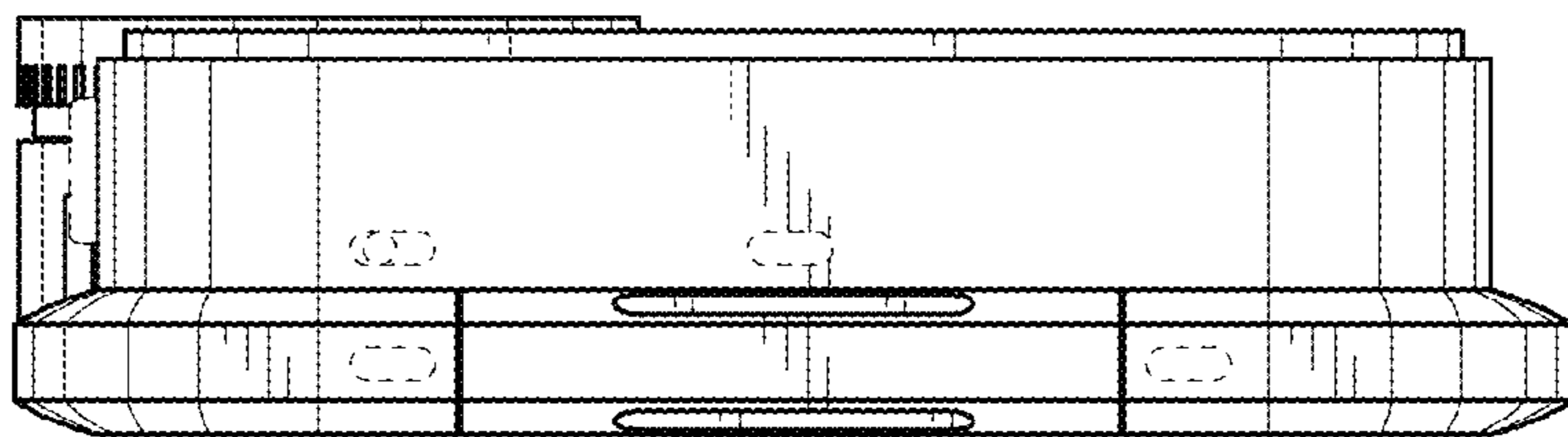


FIG. 4

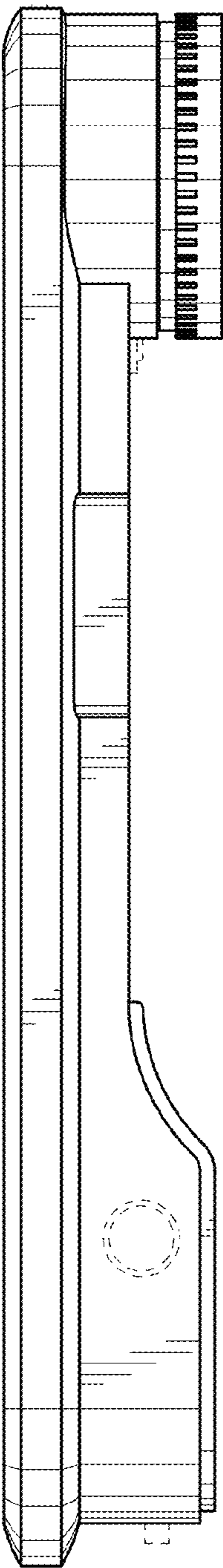


FIG. 6

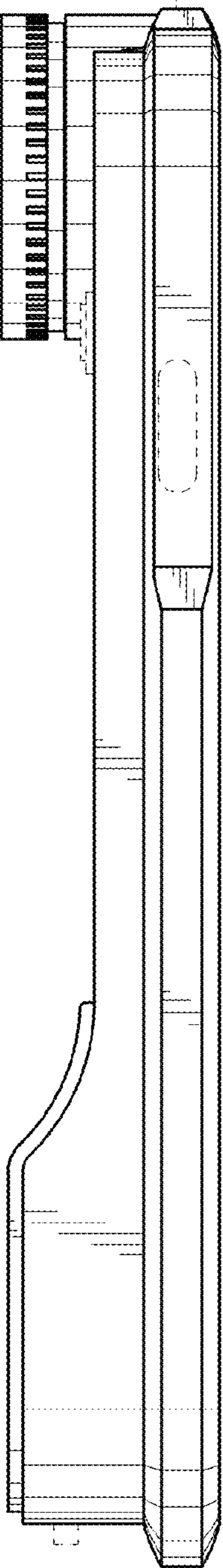


FIG. 7