

US00D711954S

(12) **United States Design Patent**
Lin

(10) **Patent No.:** **US D711,954 S**
(45) **Date of Patent:** **** Aug. 26, 2014**

(54) **PROJECTOR**

TW D129400 6/2009
TW D142036 8/2011

(71) Applicant: **Delta Electronics, Inc.**, Taoyuan Hsien (TW)

* cited by examiner

(72) Inventor: **Cheng-Yu Lin**, Taoyuan Hsien (TW)

Primary Examiner — Wan Laymon

(73) Assignee: **Delta Electronics, Inc.**, Taoyuan Hsien (TW)

(74) *Attorney, Agent, or Firm* — Kirton McConkie; Evan R. Witt

(**) Term: **14 Years**

(57) **CLAIM**

The ornamental design for a projector, as shown and described.

(21) Appl. No.: **29/450,474**

DESCRIPTION

(22) Filed: **Mar. 18, 2013**

(51) **LOC (10) Cl.** **16-02**

(52) **U.S. Cl.**
USPC **D16/230**

(58) **Field of Classification Search**
USPC D16/208, 219, 221, 223–231, 234–235;
D21/514; 353/115, 119, 122
See application file for complete search history.

FIG. 1 is a perspective view of a first embodiment of a projector showing my new design;
FIG. 2 is a front elevation view thereof;
FIG. 3 is a rear elevation view thereof;
FIG. 4 is a left side elevation view thereof;
FIG. 5 is a right side elevation view thereof;
FIG. 6 is a top plan view thereof;
FIG. 7 is a bottom plan view thereof;
FIG. 8 is a bottom, front perspective view thereof;
FIG. 9 is another perspective view showing a second embodiment of a projector according to the present design;
FIG. 10 is front elevation view thereof;
FIG. 11 is a rear elevation view thereof;
FIG. 12 is a left side elevation view thereof;
FIG. 13 is a right side elevation view thereof;
FIG. 14 is a top plan view thereof;
FIG. 15 is a bottom plan view thereof;
FIG. 16 is a bottom, front perspective view thereof;
FIG. 17 is another perspective view showing a third embodiment of a projector according to the present design;
FIG. 18 is front elevation view thereof;
FIG. 19 is a rear elevation view thereof;
FIG. 20 is a left side elevation view thereof;
FIG. 21 is a right side elevation view thereof;
FIG. 22 is a top plan view thereof;
FIG. 23 is a bottom plan view thereof; and,
FIG. 24 is a bottom, front perspective view thereof.
The broken lines form no part of the claimed design.

(56) **References Cited**

U.S. PATENT DOCUMENTS

D482,715	S	*	11/2003	Schoenert et al.	D16/230
D503,733	S	*	4/2005	Kurokawa	D16/230
D506,770	S	*	6/2005	Saeki et al.	D16/230
D550,269	S	*	9/2007	Salvatori et al.	D16/230
D555,185	S	*	11/2007	Nozue et al.	D16/230
D555,696	S	*	11/2007	Naruki	D16/230
D575,811	S	*	8/2008	Ohki et al.	D16/230
D610,187	S	*	2/2010	Kim et al.	D16/230
D631,904	S	*	2/2011	Kim et al.	D16/230
D647,120	S	*	10/2011	Kawabe et al.	D16/230
8,104,902	B2	*	1/2012	Mao et al.	353/119
D671,160	S		11/2012	Lin		

FOREIGN PATENT DOCUMENTS

JP	D1289476	12/2006
JP	D1329661	5/2008
JP	D1330367	5/2008

1 Claim, 18 Drawing Sheets

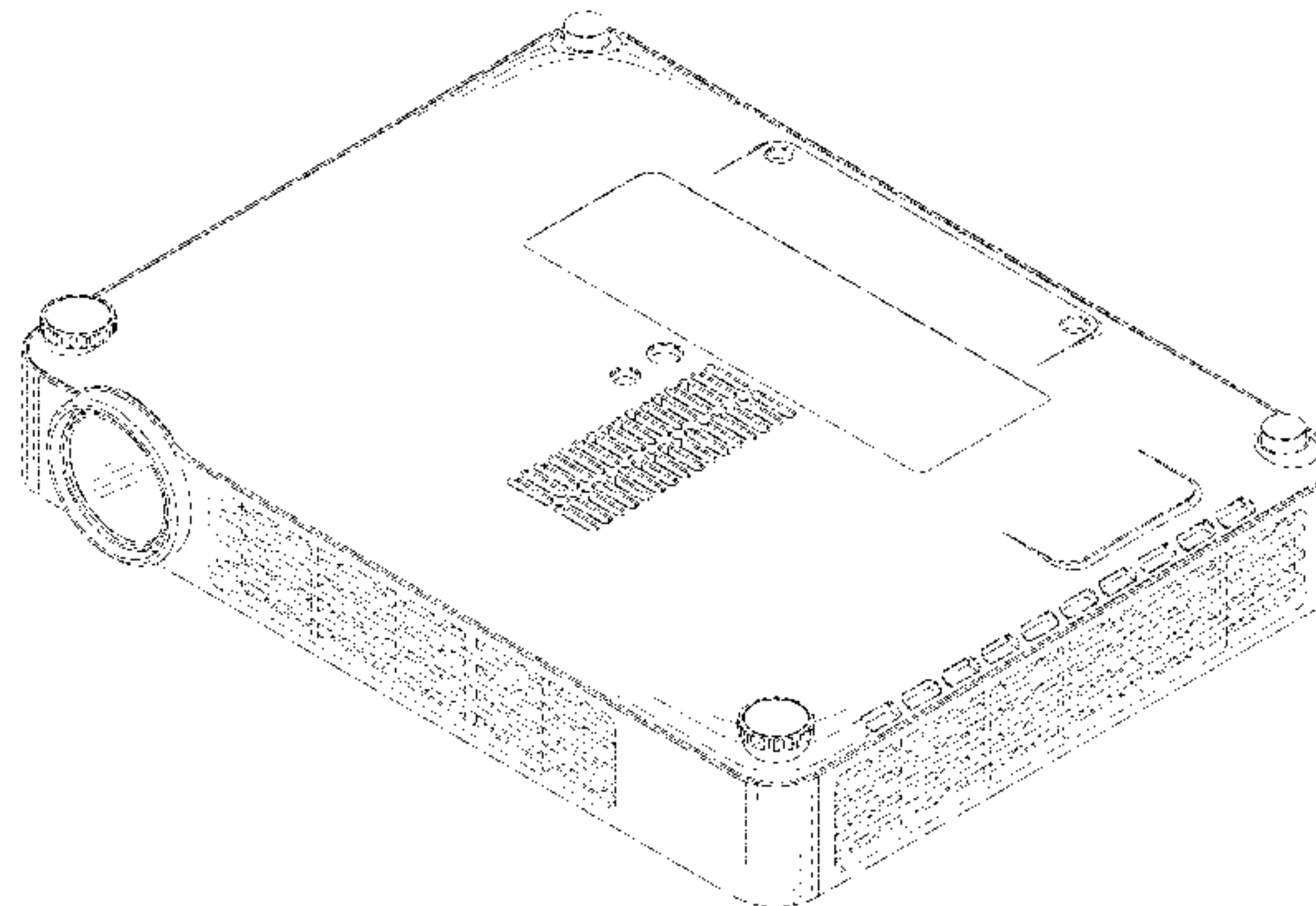
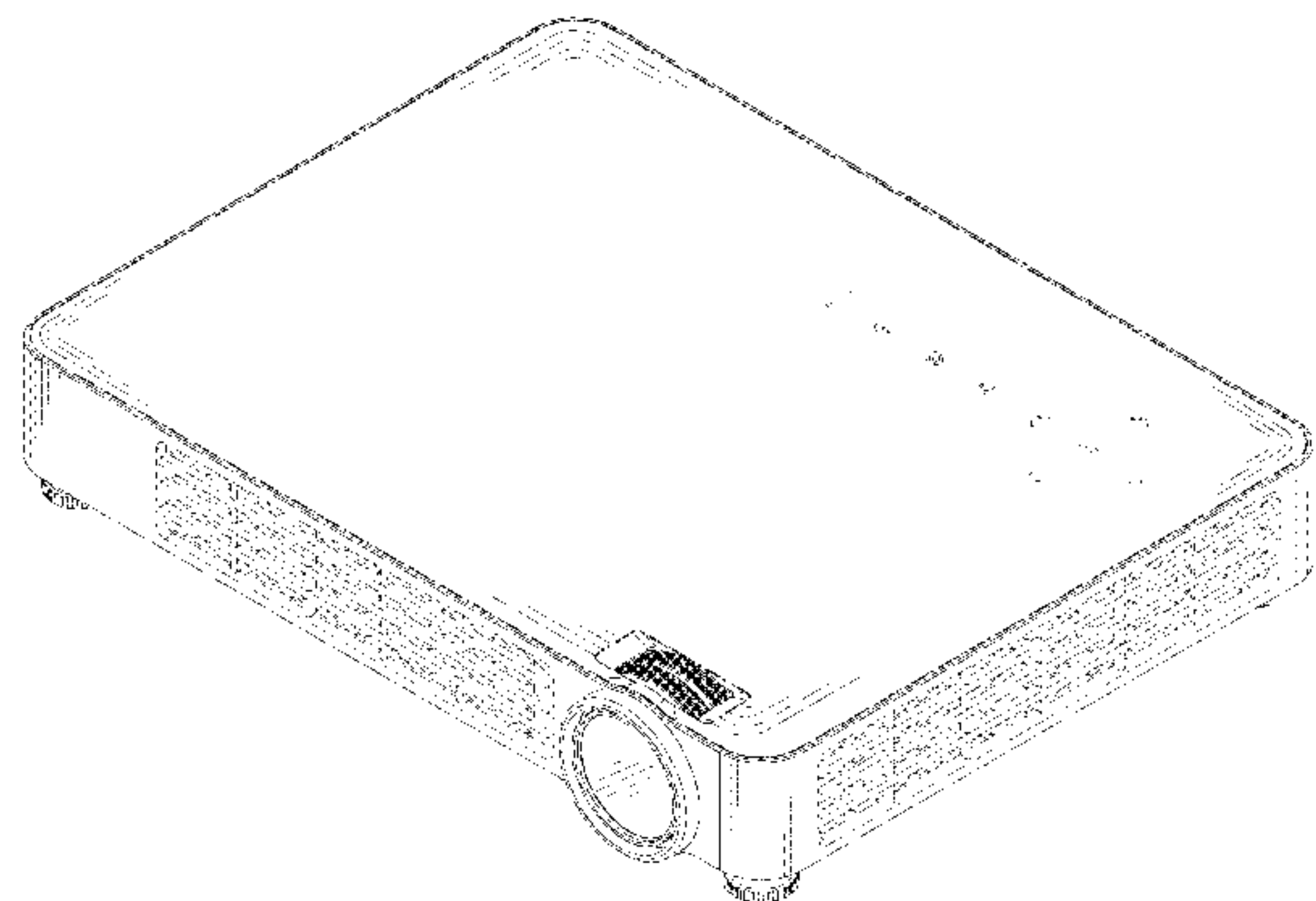




FIG. 1

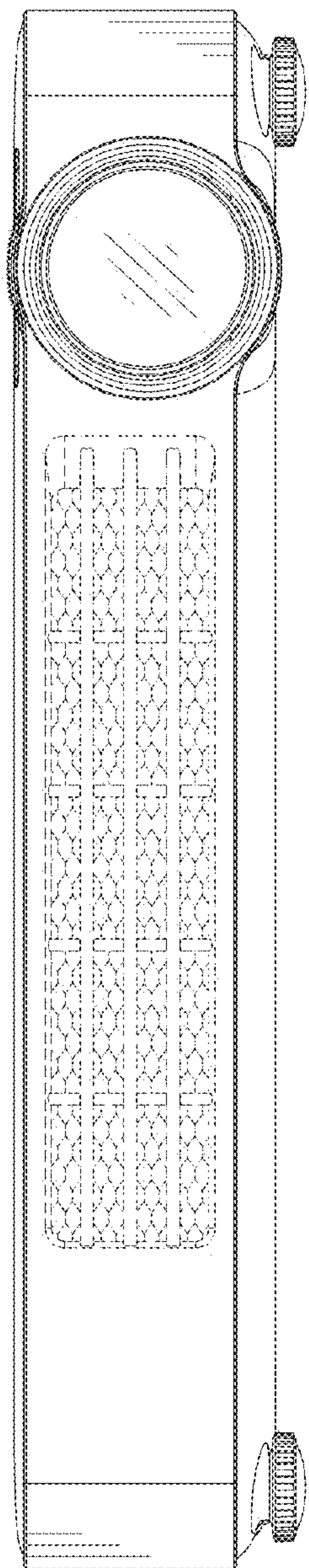


FIG. 2

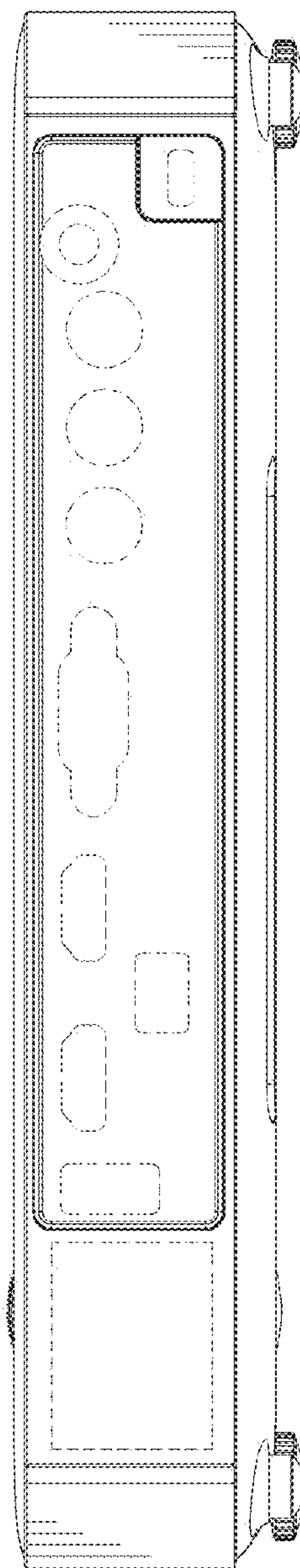


FIG. 3

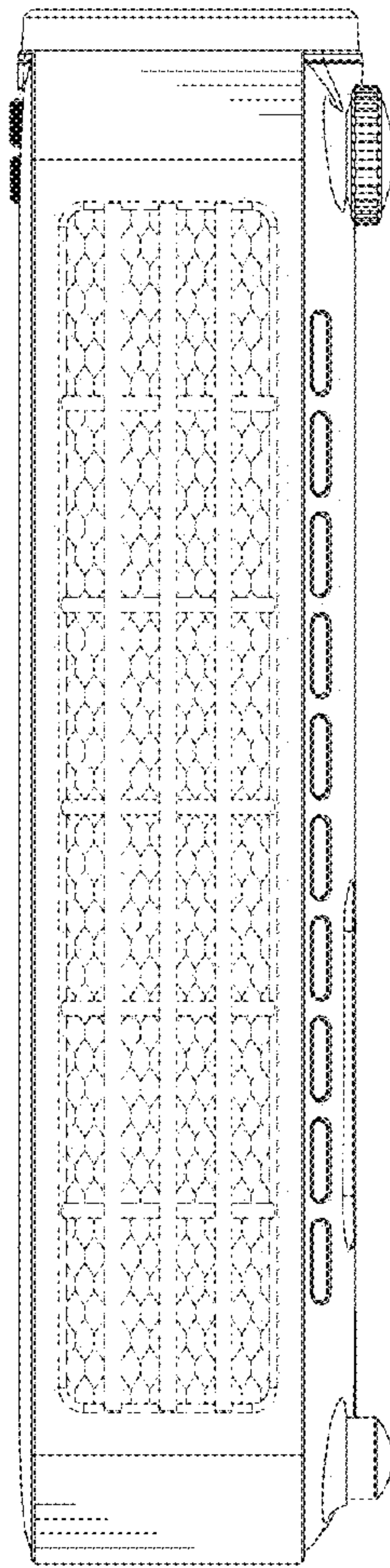


FIG. 4

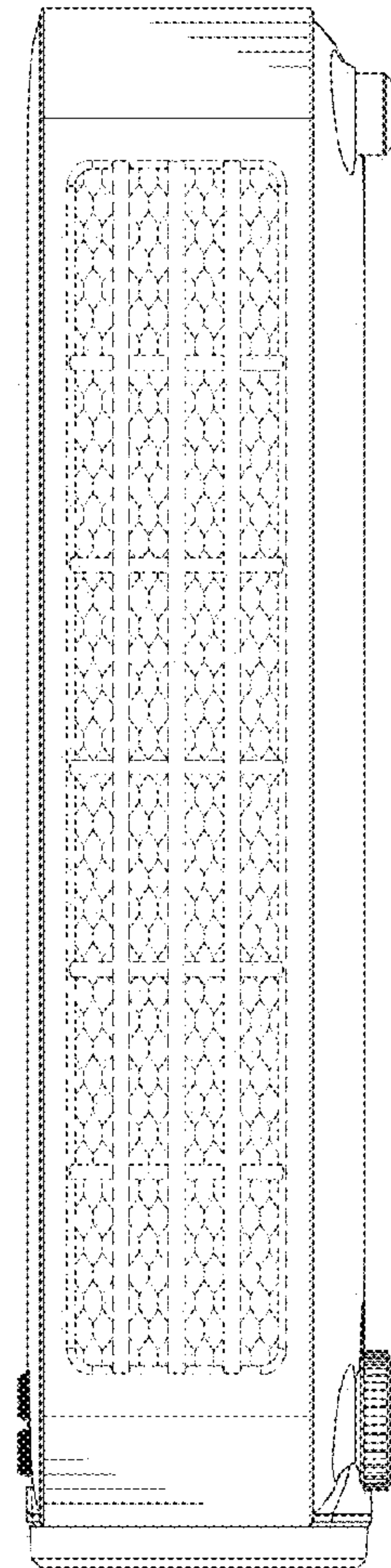


FIG. 5

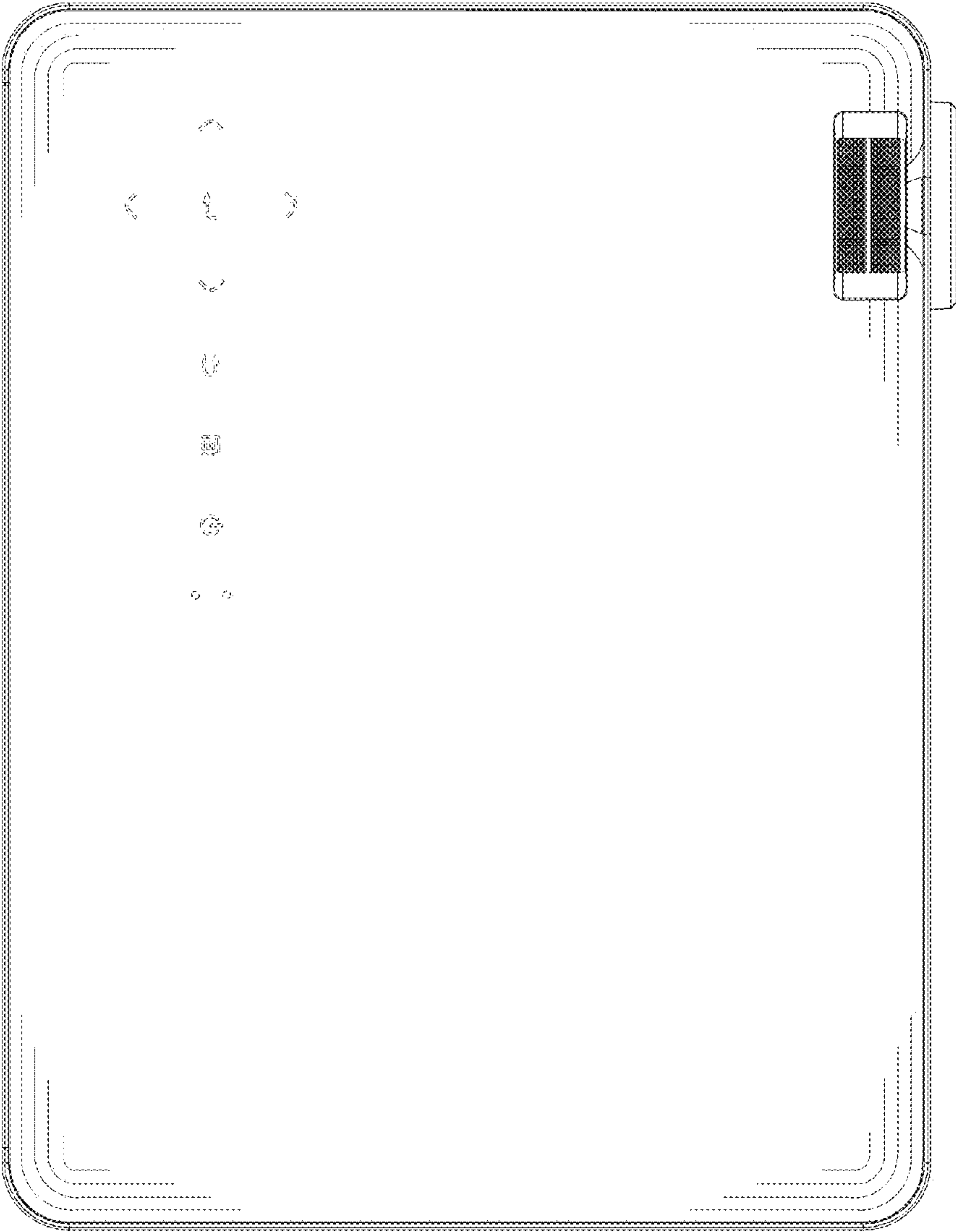


FIG. 6

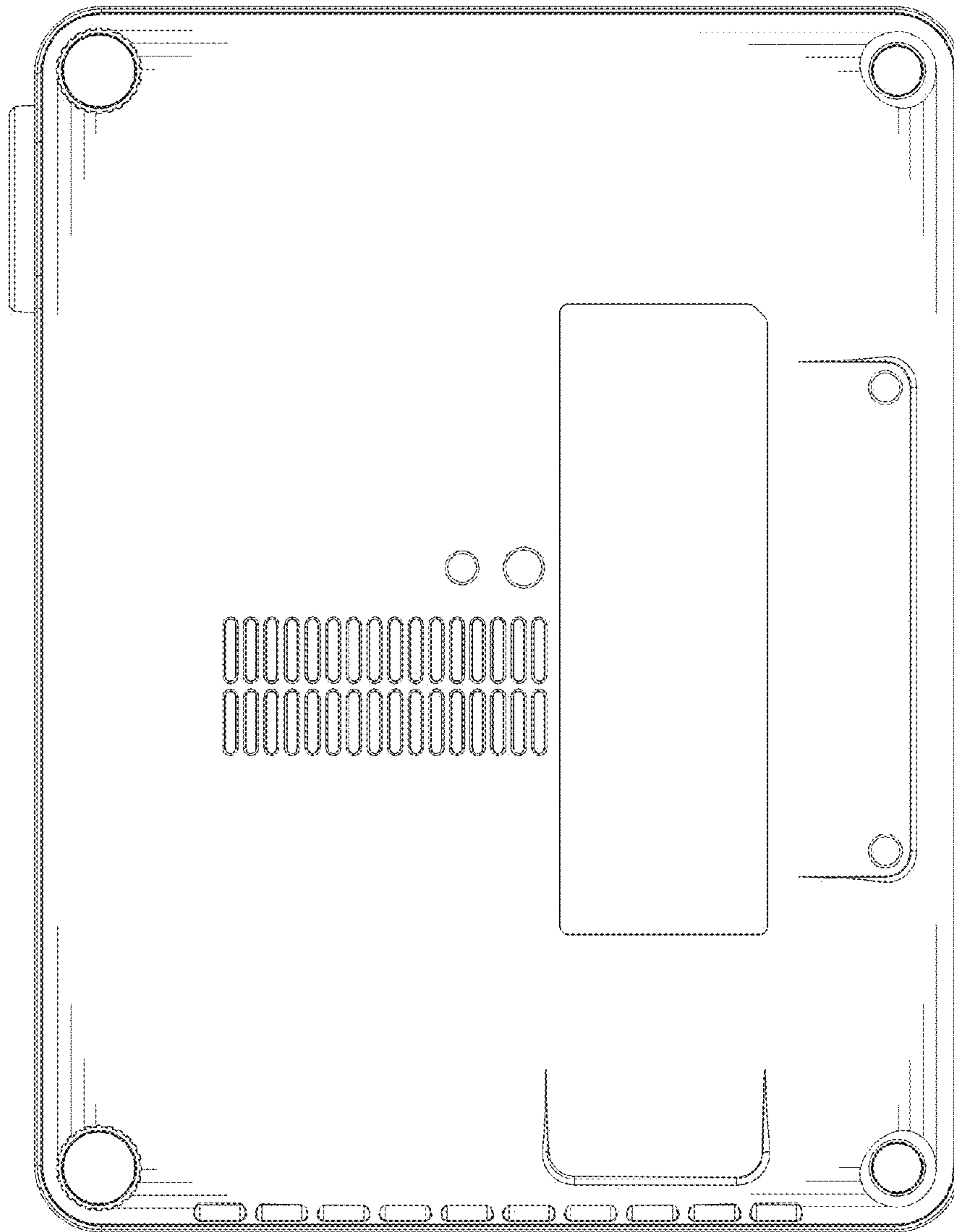


FIG. 7

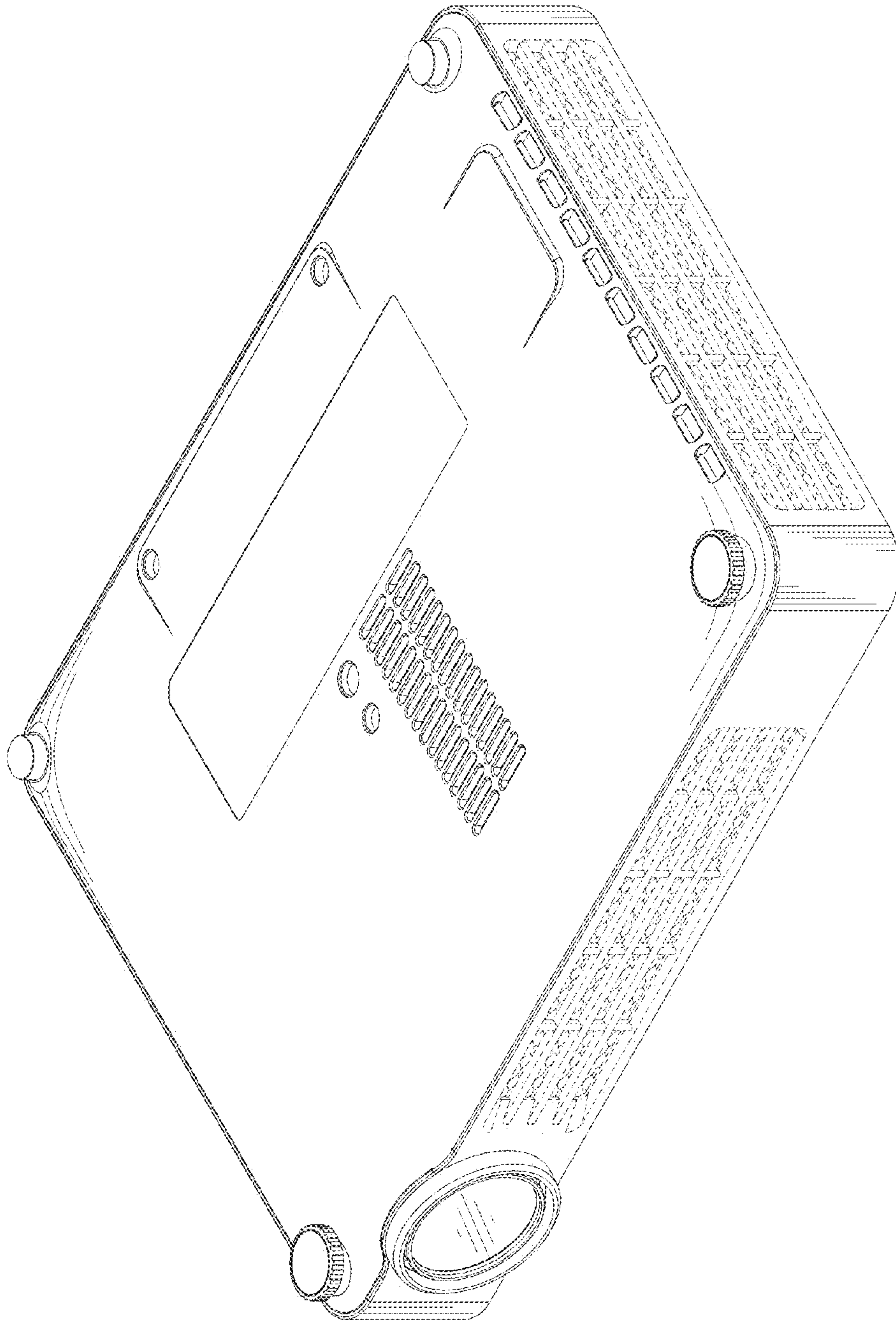


FIG. 8

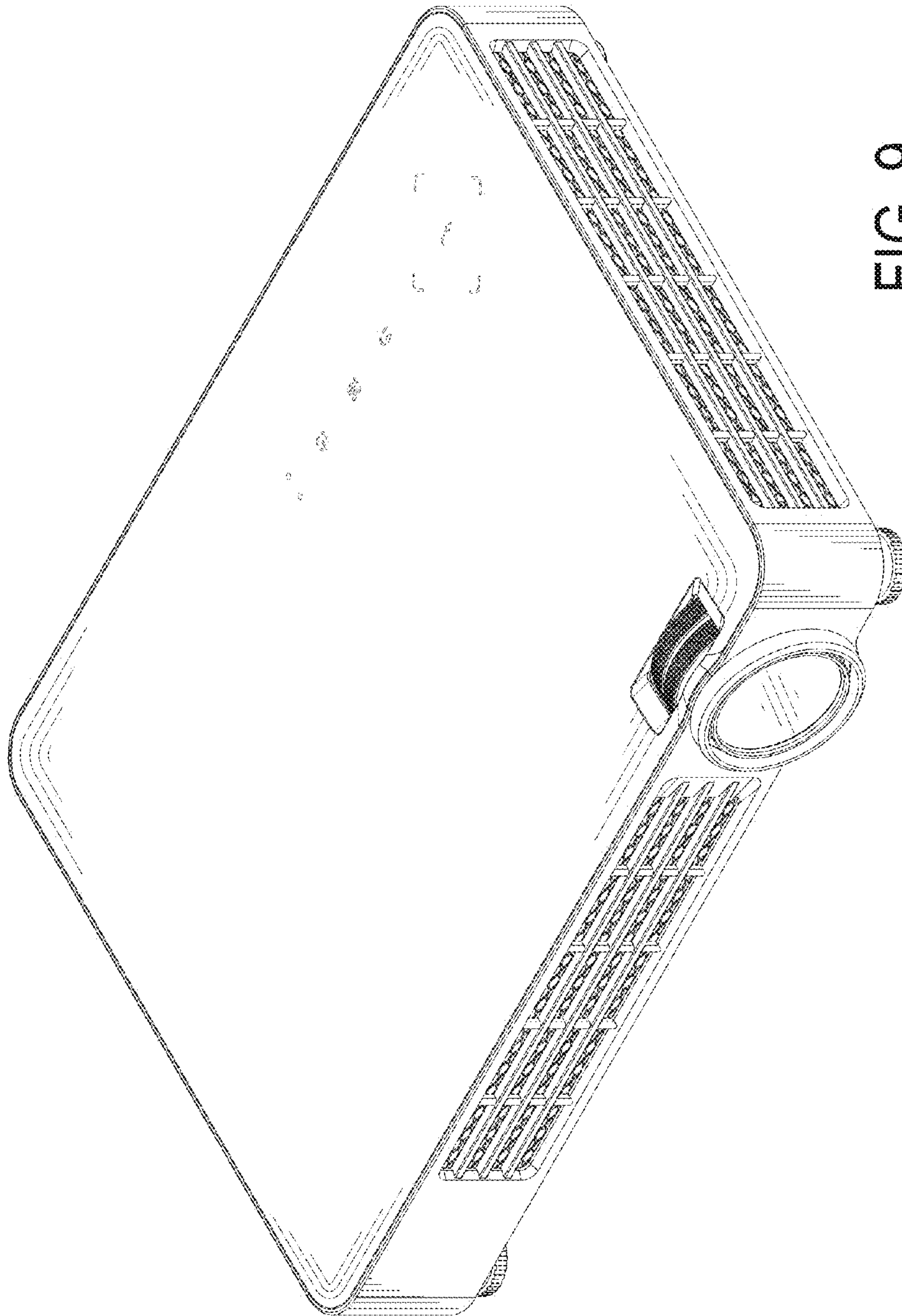


FIG. 9

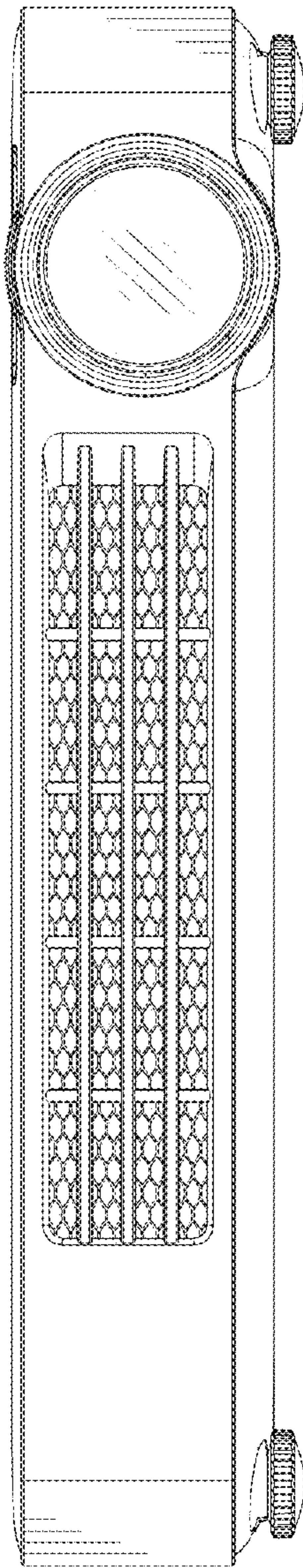


FIG. 10

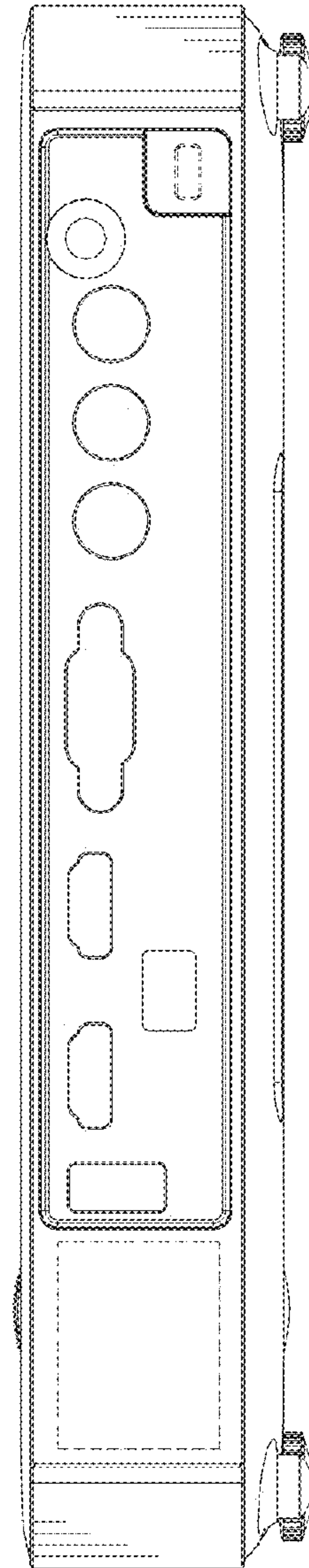


FIG. 11

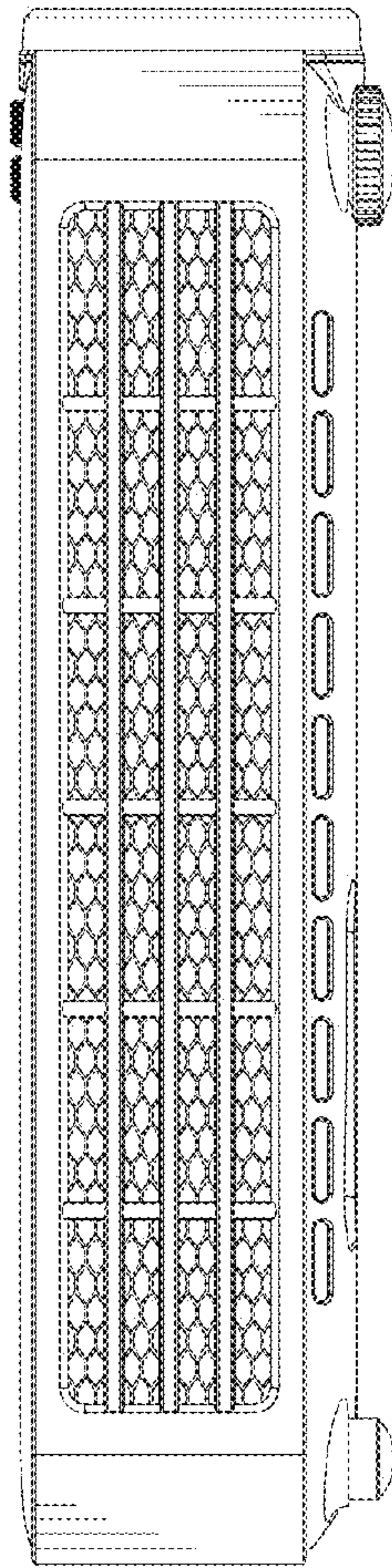


FIG. 12

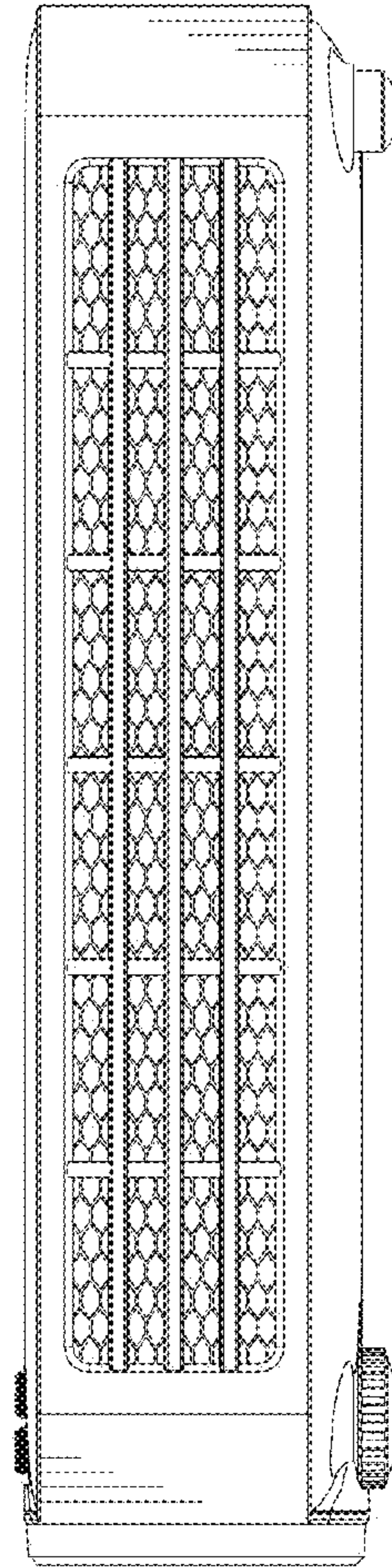


FIG. 13

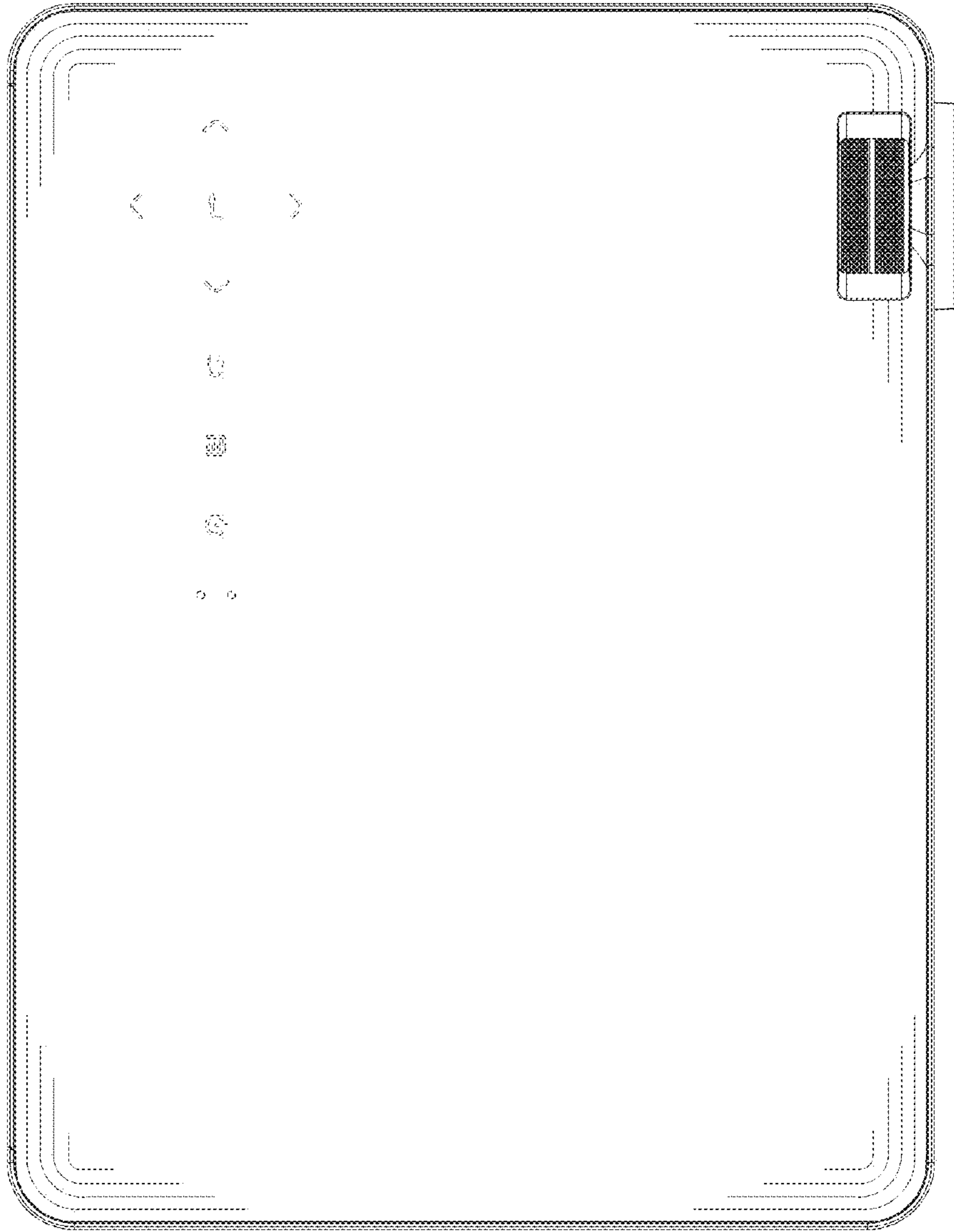


FIG. 14

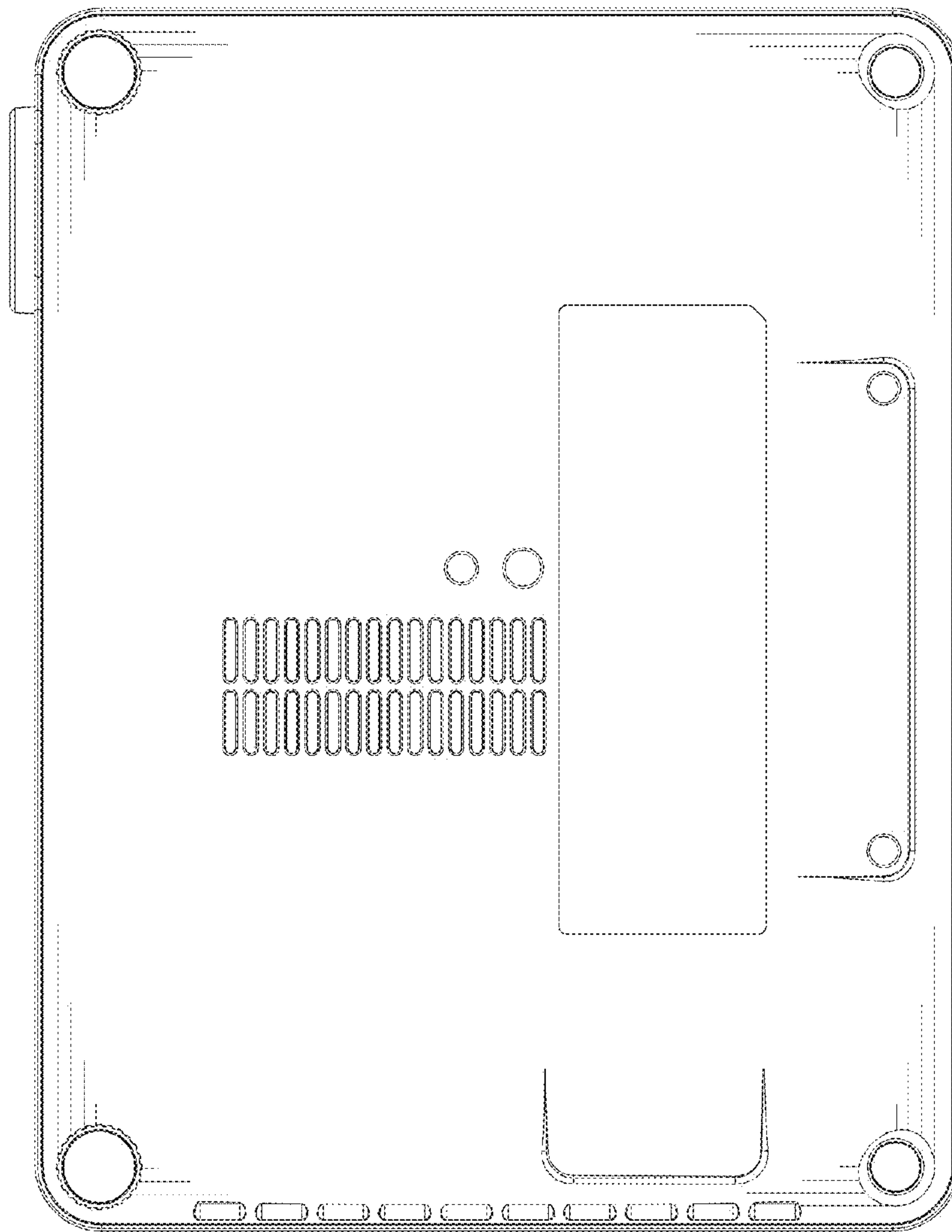


FIG. 15

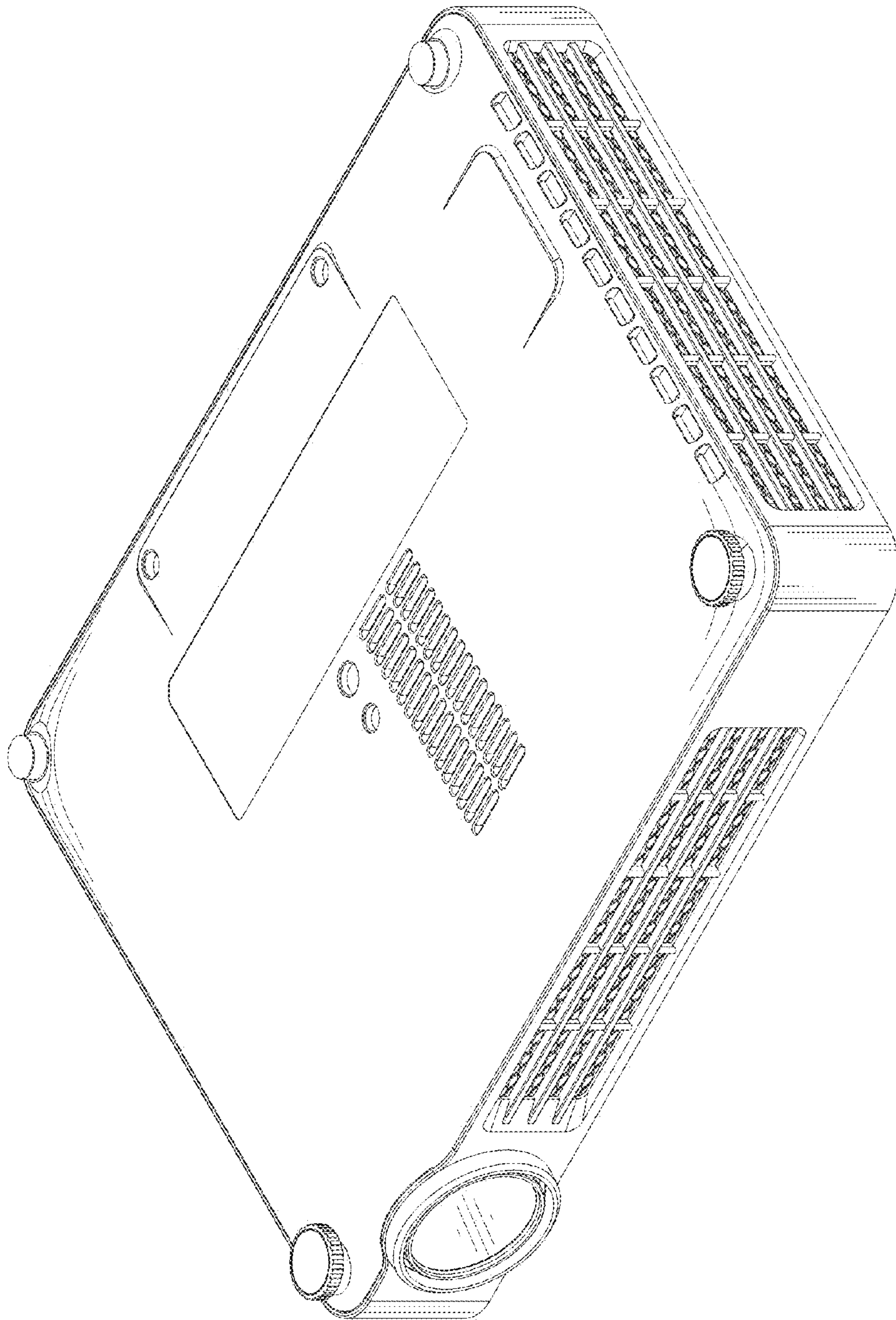


FIG. 16

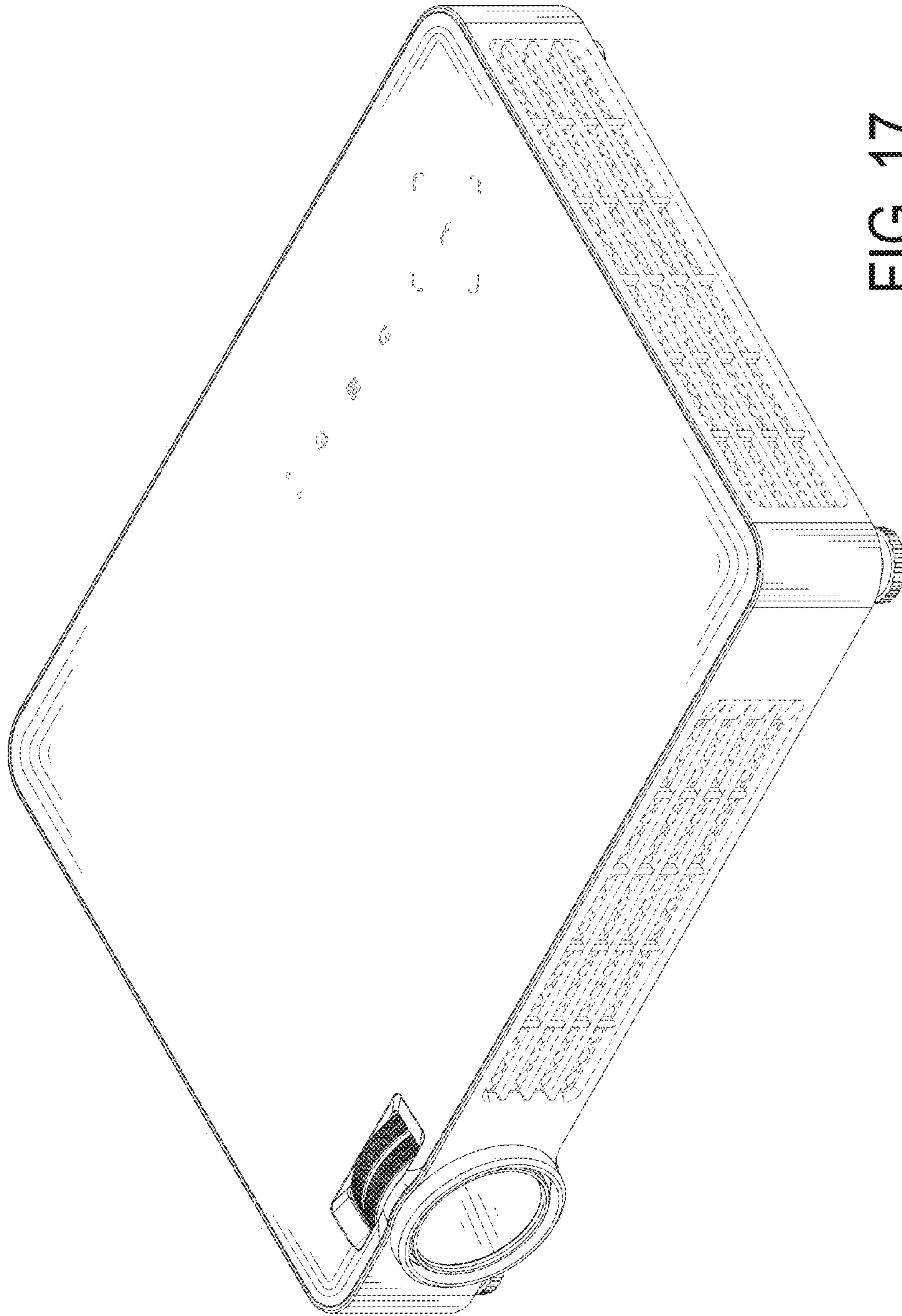


FIG. 17

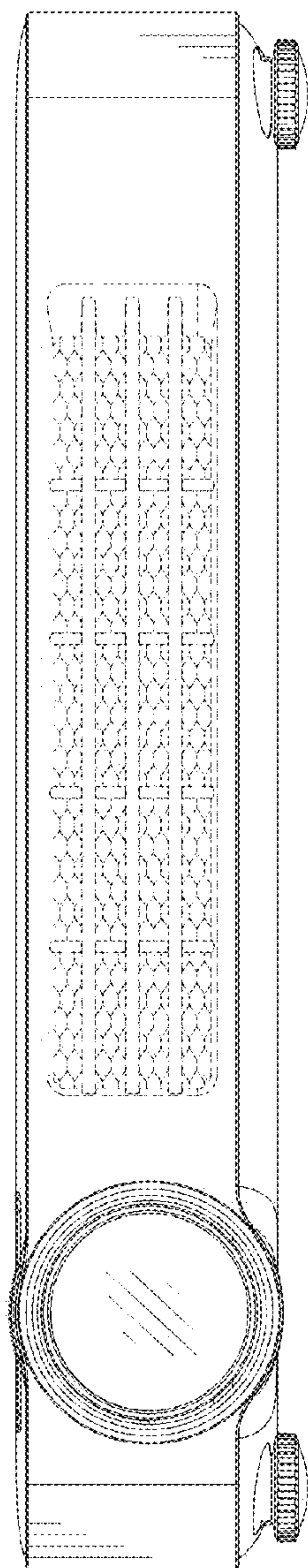


FIG. 18

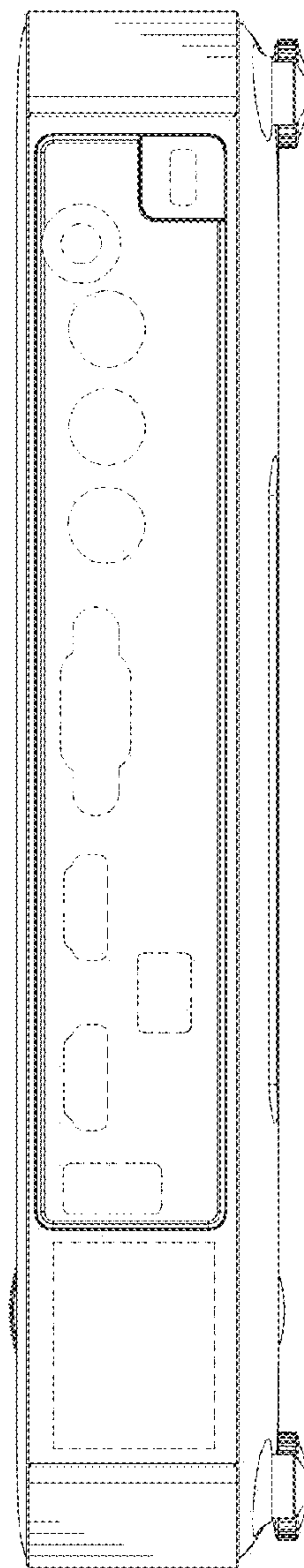


FIG. 19

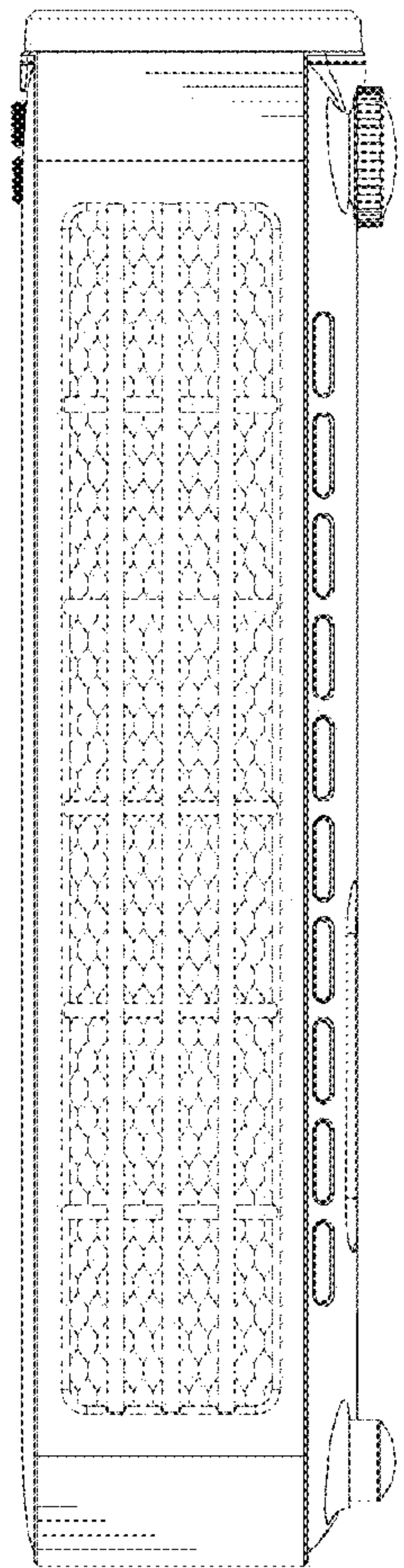


FIG. 20

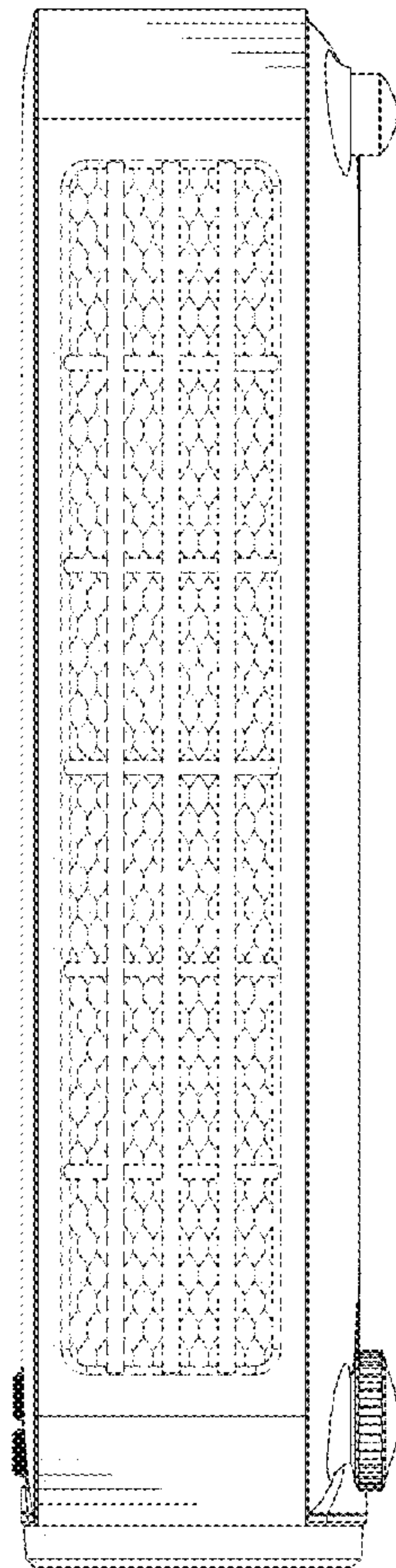


FIG. 21

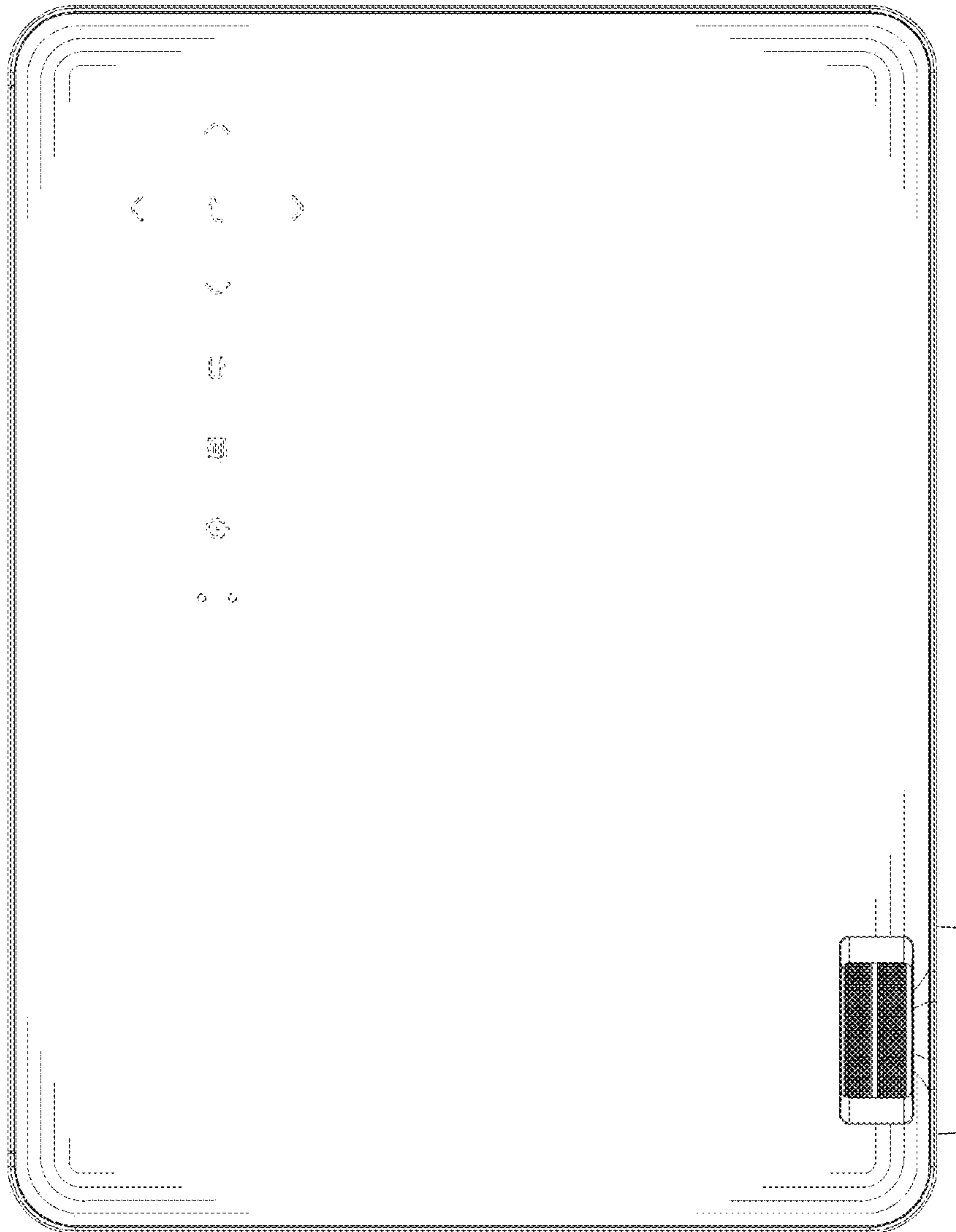


FIG. 22

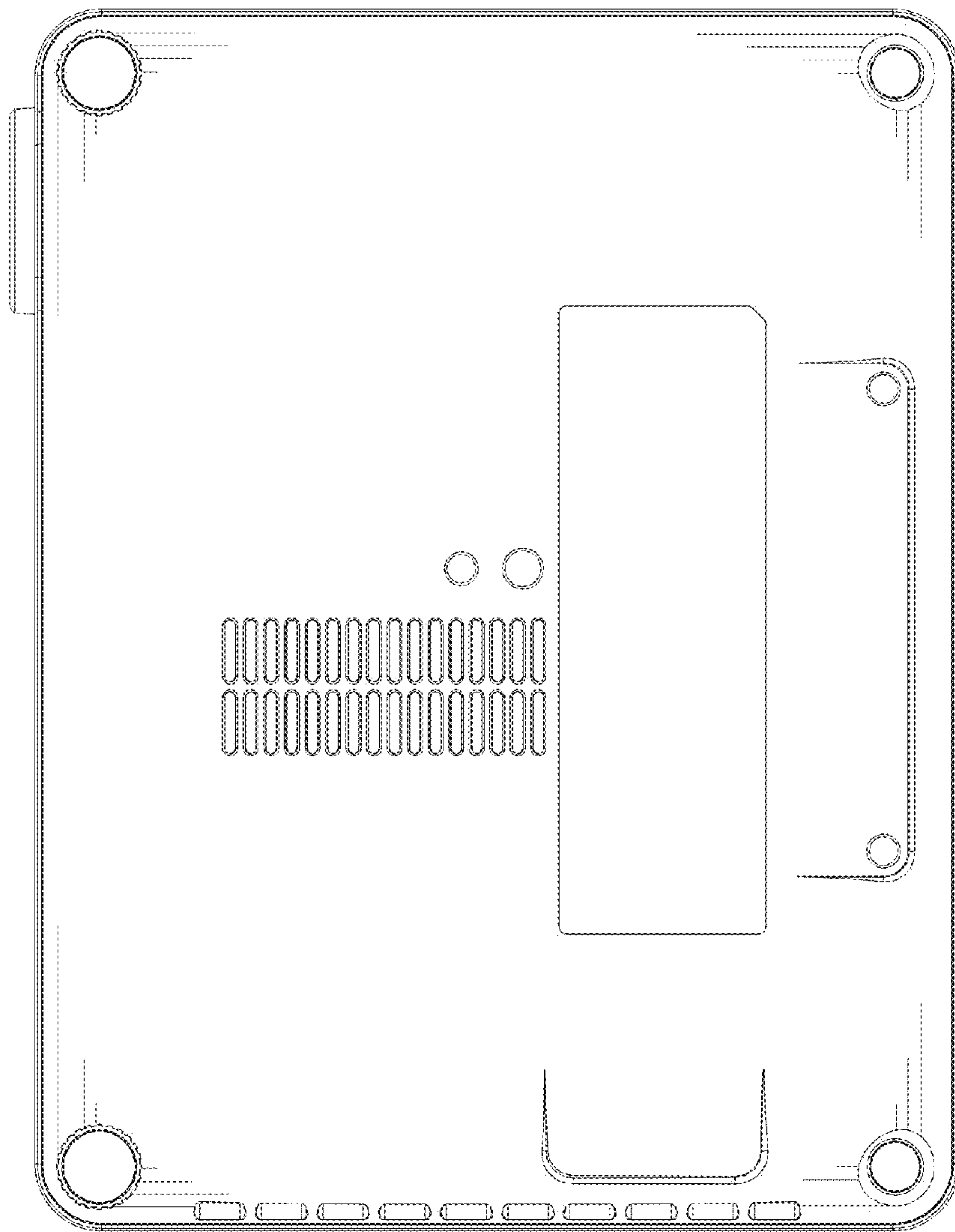


FIG. 23

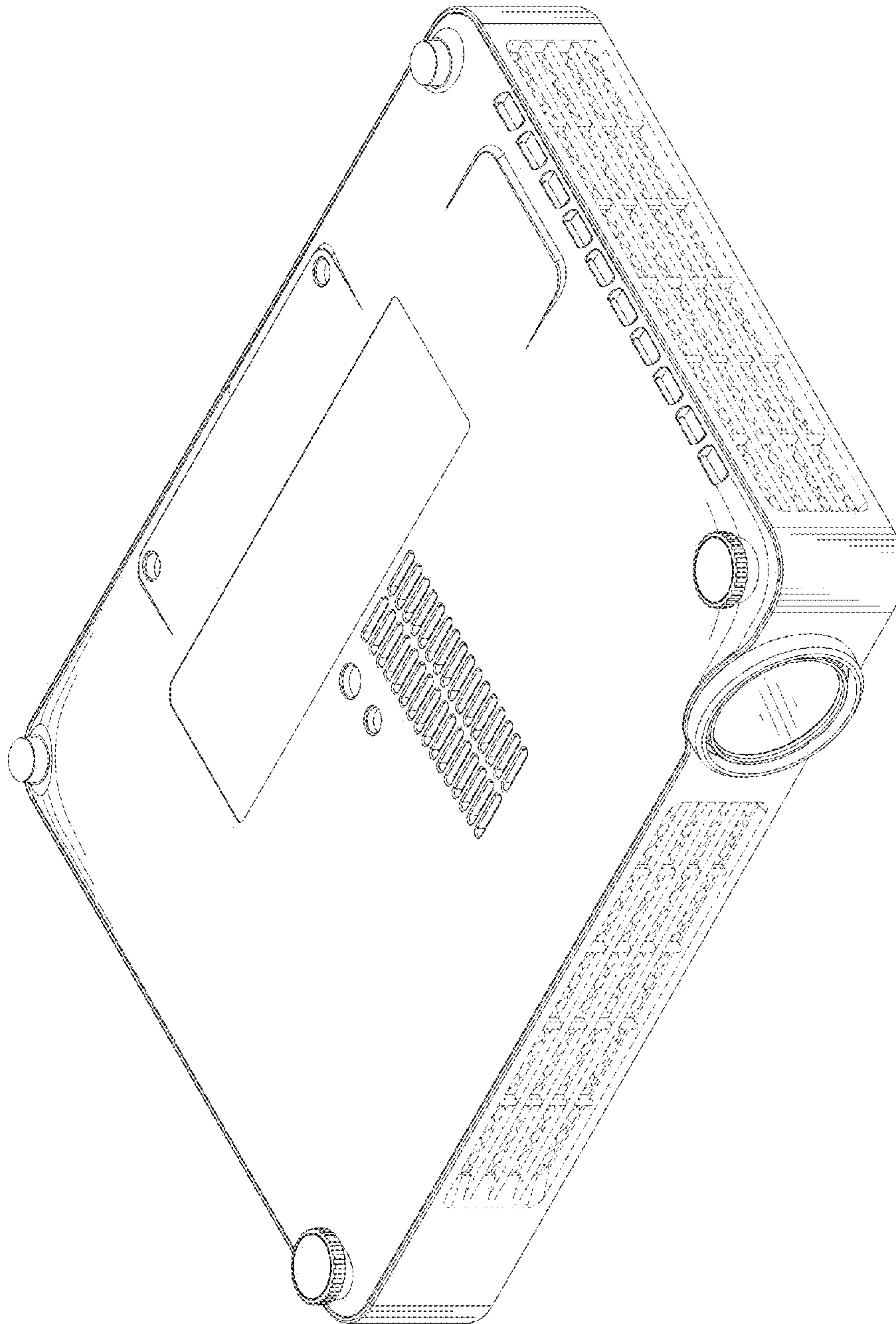


FIG. 24