



US00D711953S

(12) **United States Design Patent**
Isozaki

(10) **Patent No.:** **US D711,953 S**
(45) **Date of Patent:** **** Aug. 26, 2014**

(54) **LENS FOR TELEVISION CAMERA**

(71) Applicant: **FUJIFILM Corporation**, Tokyo (JP)

(72) Inventor: **Makoto Isozaki**, Minato-ku (JP)

(73) Assignee: **FUJIFILM Corporation**, Tokyo (JP)

(**) Term: **14 Years**

(21) Appl. No.: **29/453,683**

(22) Filed: **May 1, 2013**

(30) **Foreign Application Priority Data**

Nov. 2, 2012 (JP) 2012-026710

(51) **LOC (10) Cl.** **16-05**

(52) **U.S. Cl.**
USPC **D16/219; D16/202**

(58) **Field of Classification Search**

CPC G03B 17/02; G03B 19/04; G03B 17/56;
G03B 17/04; G03B 15/03; G03B 17/14;
H04N 5/2251; H04N 5/2252; H04N 5/2253;
H04N 5/2254; G02B 7/02; G02B 7/04;
G02B 7/14

USPC D16/134, 136, 200, 202–206, 218, 219,
D16/242; 348/373–376; 396/529–532, 535,
396/539–541

See application file for complete search history.

(56) **References Cited**

U.S. PATENT DOCUMENTS

D184,563 S * 3/1959 Ferman D16/239
7,221,402 B2 * 5/2007 Cheng 348/375
D563,450 S * 3/2008 Cheng D16/203
7,466,360 B2 * 12/2008 Lee 348/373

7,542,094 B2 * 6/2009 Nakamura et al. 348/375
7,859,592 B2 * 12/2010 Takahashi et al. 348/373
D666,660 S * 9/2012 Amit et al. D16/203
D694,307 S * 11/2013 Isozaki D16/219
D698,845 S * 2/2014 Isozaki D16/219
D698,846 S * 2/2014 Isozaki D16/219

OTHER PUBLICATIONS

U.S. Appl. No. 29/433,795, filed Oct. 4, 2012, Makoto Isozaki.

* cited by examiner

Primary Examiner — Adir Aronovich

Assistant Examiner — Ramzi Almatrahi

(74) *Attorney, Agent, or Firm* — Sughrue Mion, PLLC

(57) **CLAIM**

The ornamental design for a lens for television camera, as shown and described.

DESCRIPTION

FIG. 1 is a top, front and right side perspective view of a lens for television camera showing my new design;
FIG. 2 is a front elevational view thereof;
FIG. 3 is a rear elevational view thereof;
FIG. 4 is a top plan view thereof;
FIG. 5 is a bottom plan view thereof;
FIG. 6 is a left side elevational view thereof;
FIG. 7 is a right side elevational view thereof; and,
FIG. 8 is a reduced top, front and right side perspective view thereof in a manner of use.

The broken lines in the drawings are included for the purpose of illustrating environmental subject matter and form no part of the claimed design.

1 Claim, 7 Drawing Sheets

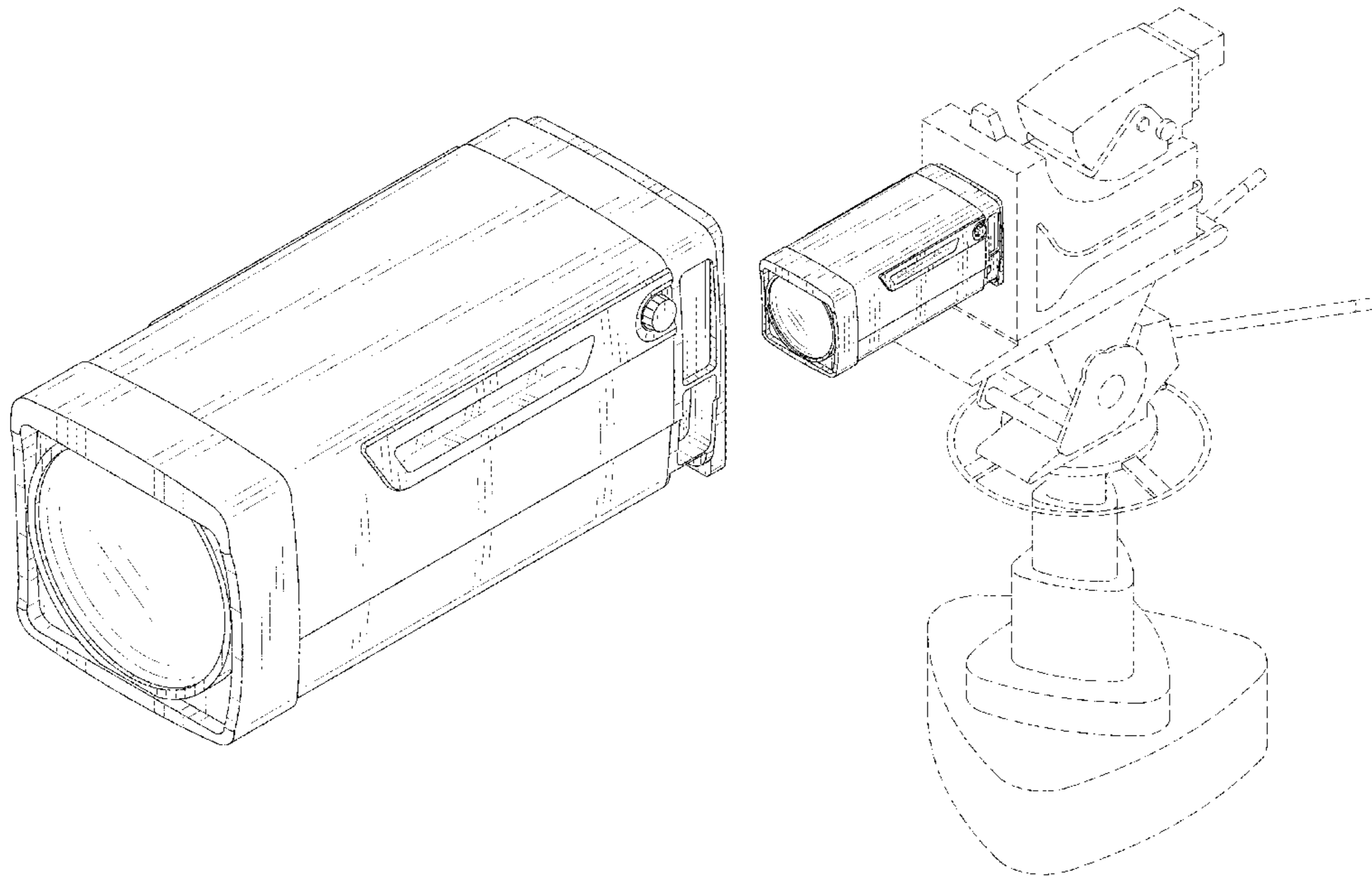


FIG. 1

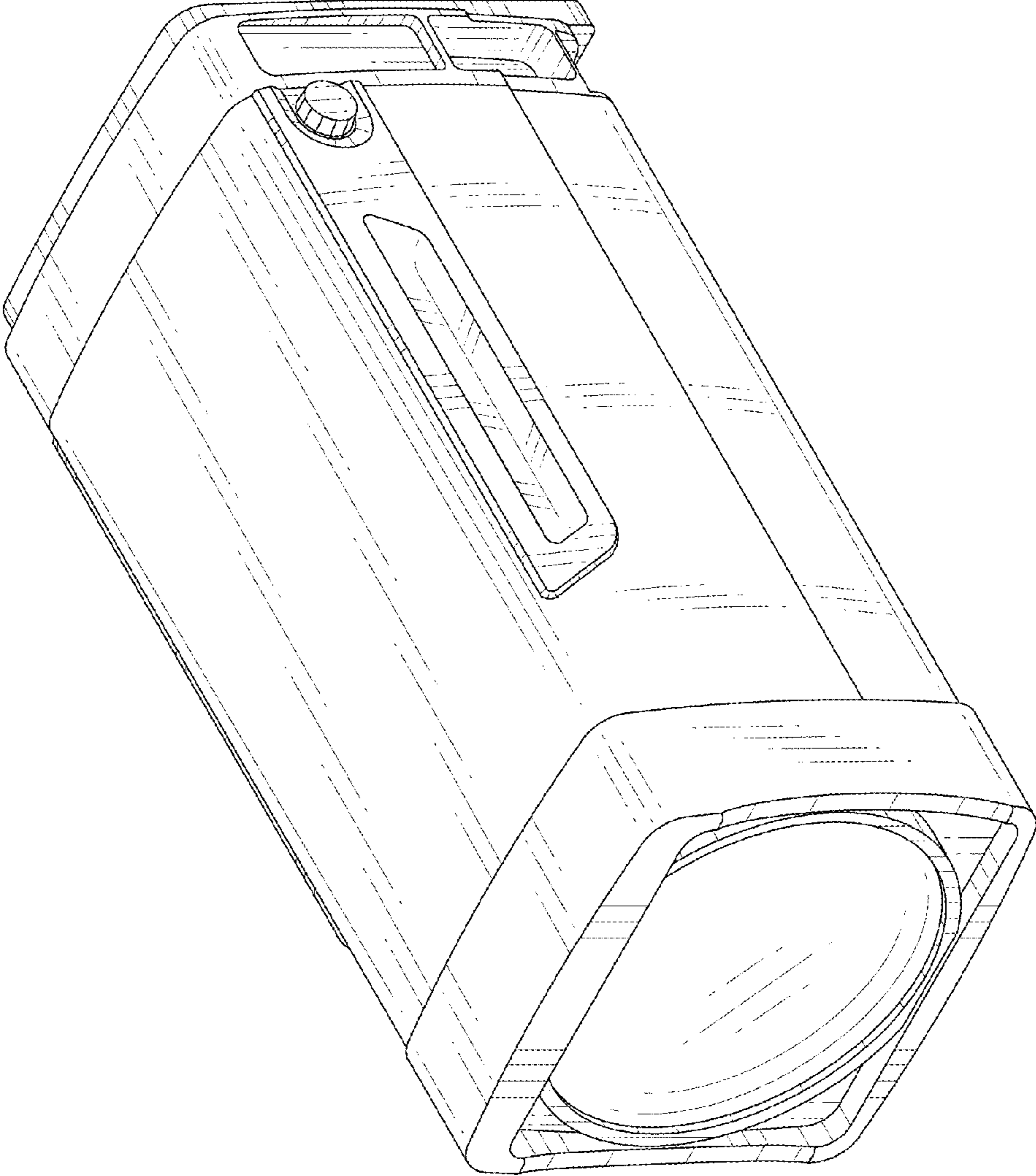


FIG. 2

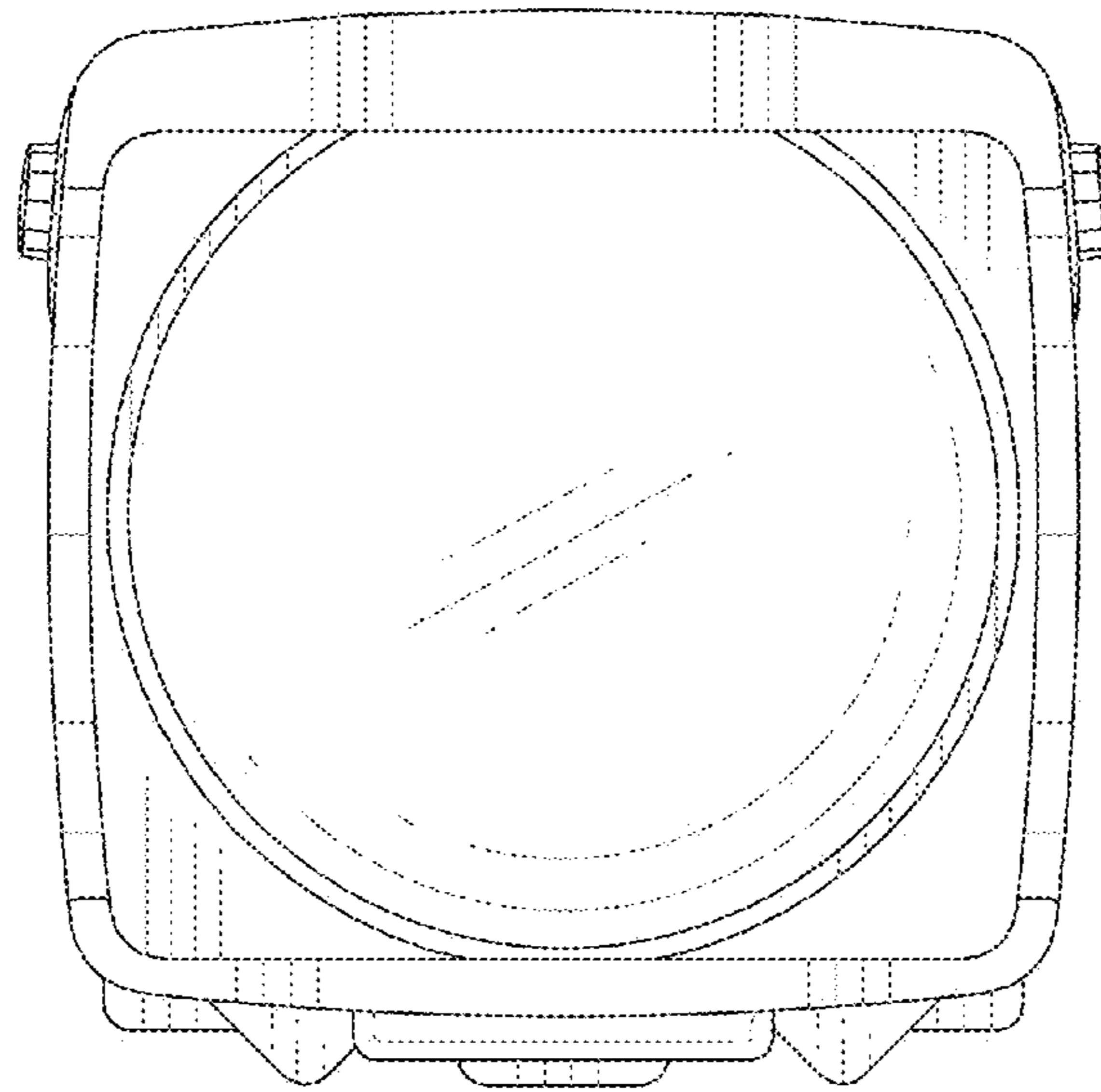


FIG. 3

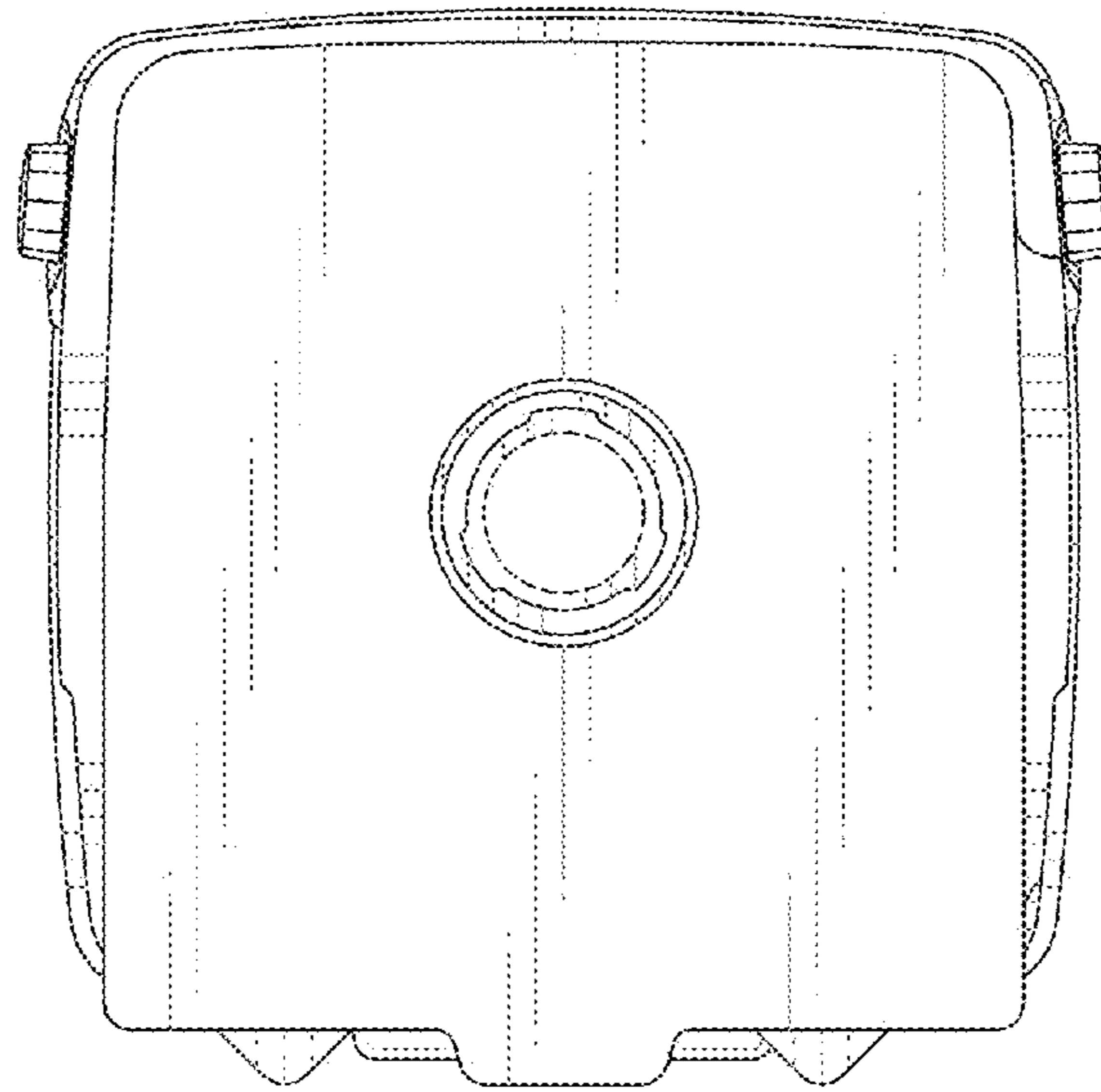


FIG. 4

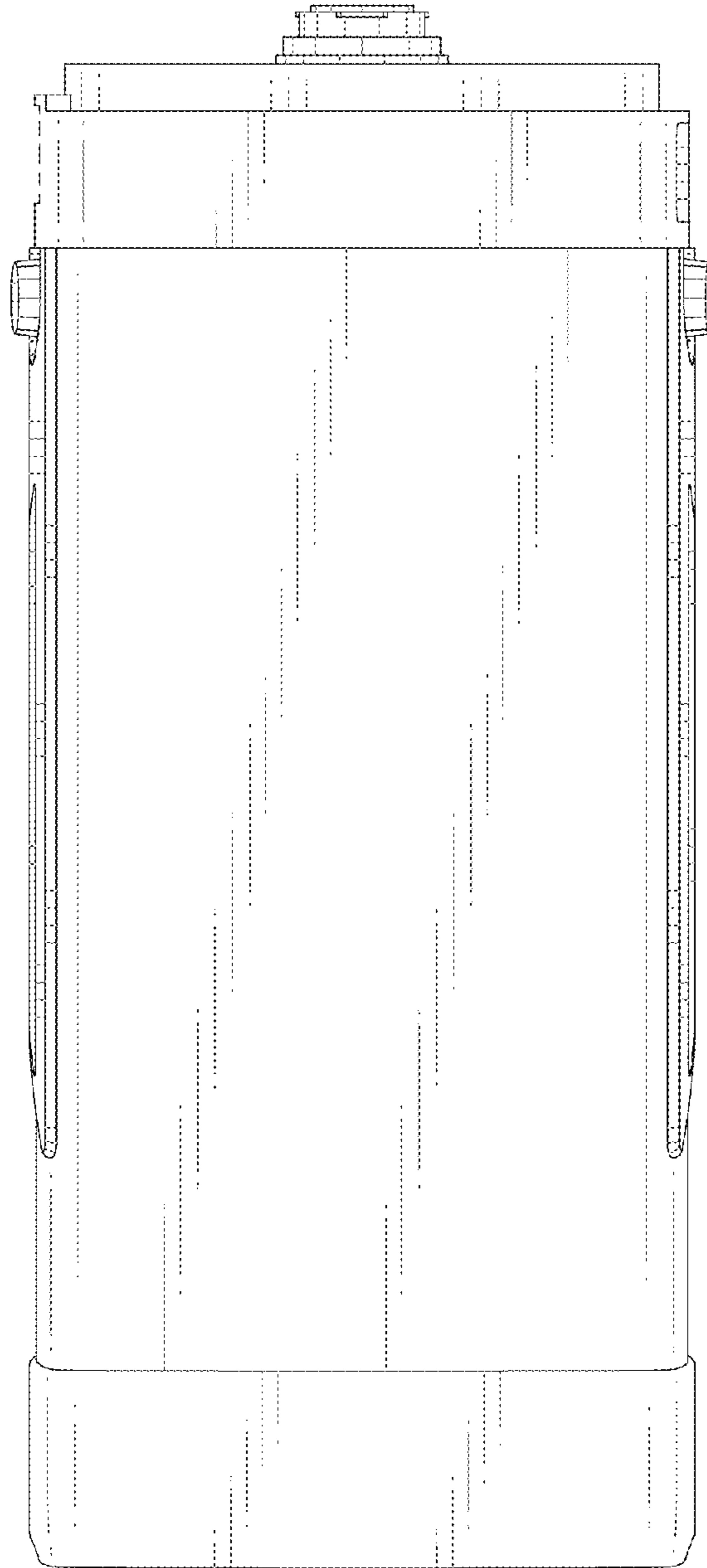


FIG. 5

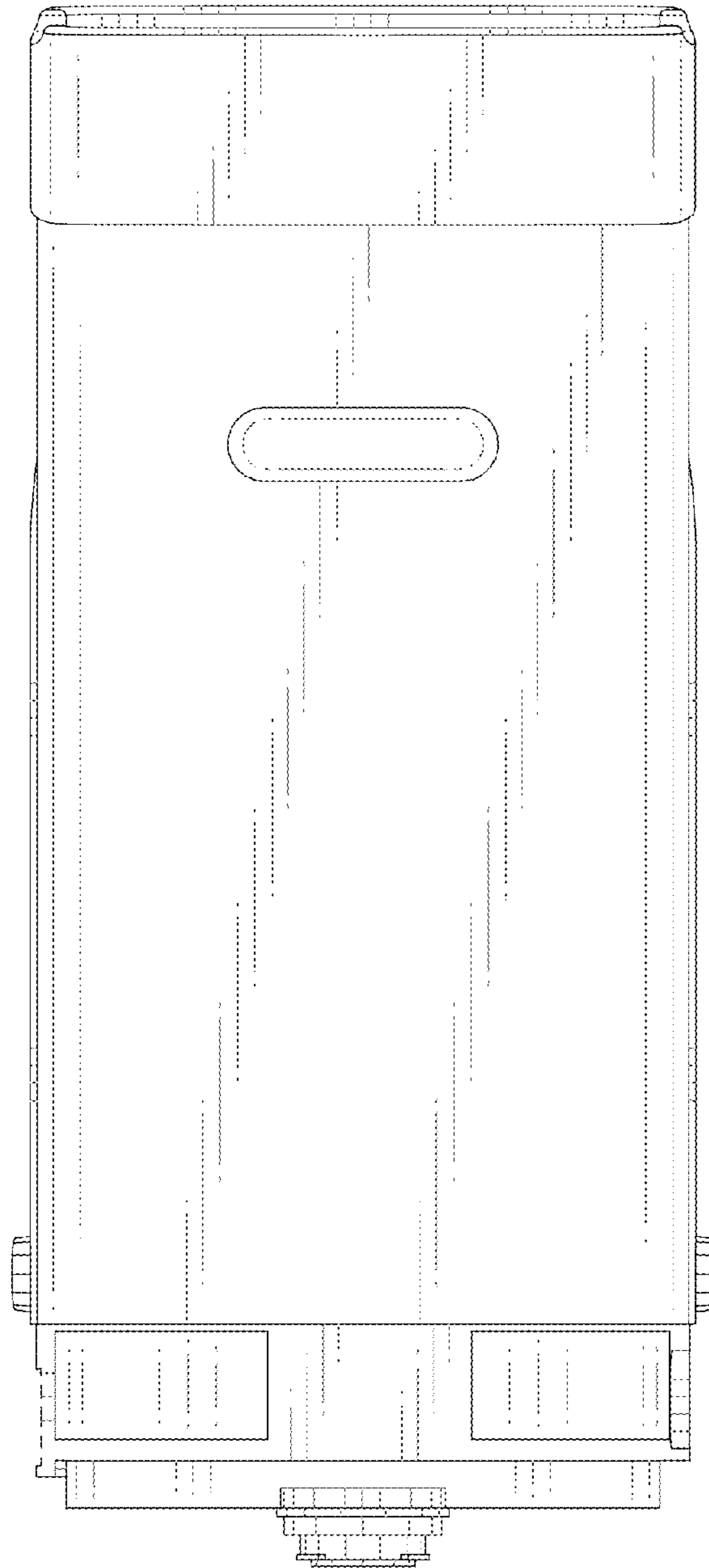


FIG. 6

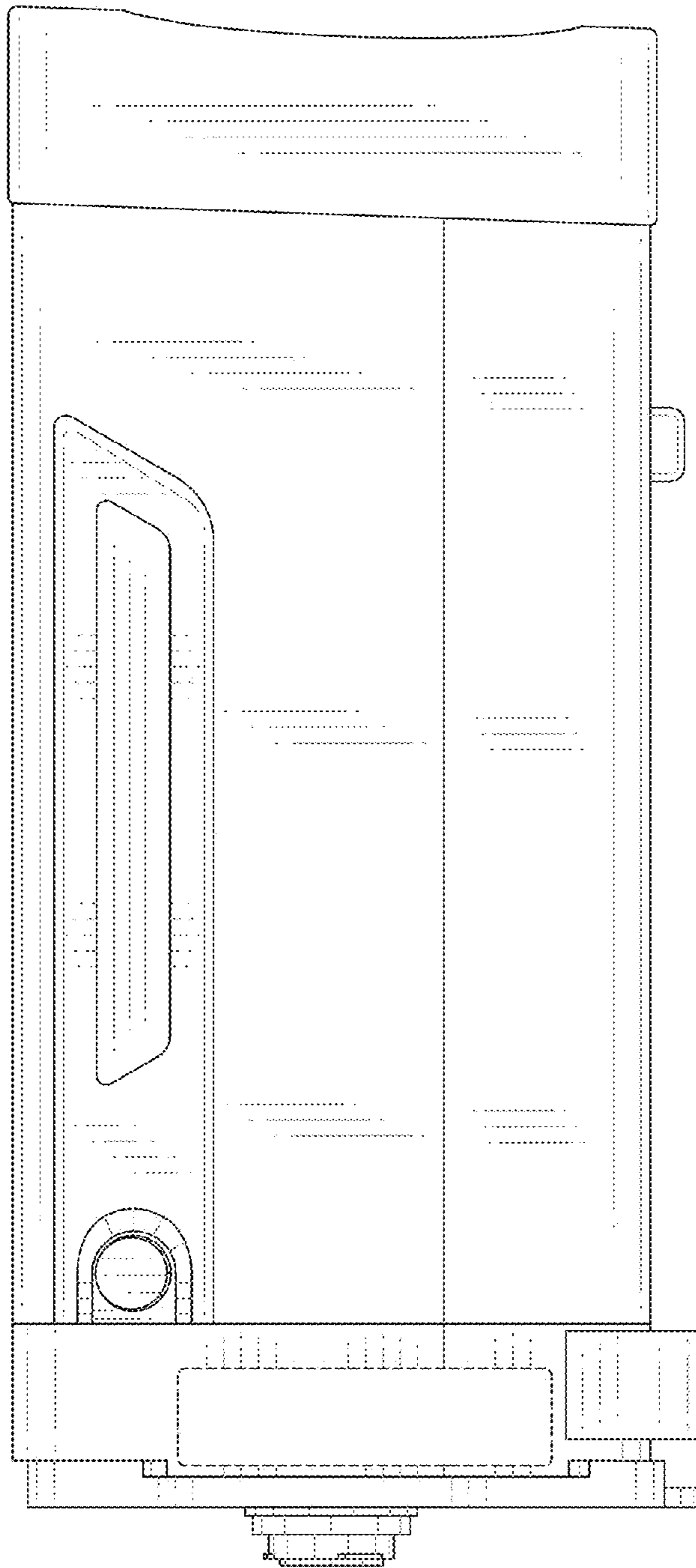


FIG. 7

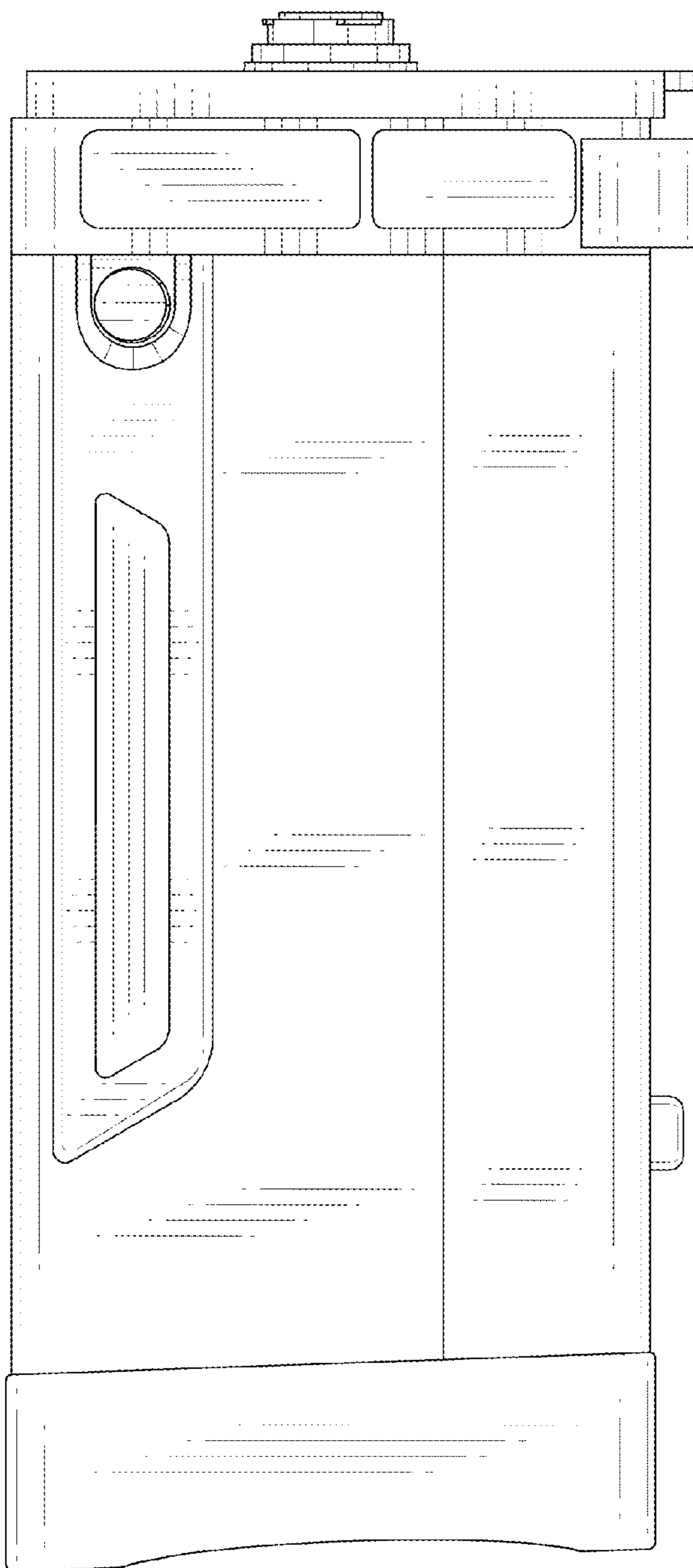


FIG. 8

