



US00D711952S

(12) **United States Design Patent**
Petty et al.

(10) **Patent No.:** **US D711,952 S**
(45) **Date of Patent:** **** Aug. 26, 2014**

(54) **CAMERA**

(71) Applicant: **Blackmagic Design Pty. Ltd.**, Port Melbourne (AU)

(72) Inventors: **Grant Petty**, Southbank (AU); **Simon Kidd**, Prahan (AU); **Stuart Elford**, Williamstown (AU); **Michawl Cornich**, Black Rock (AU); **Andrew Howley**, St. Kilda East (AU); **John Vanzella**, Flemington (AU); **Kristian Lam**, Point Cook (AU)

(73) Assignee: **Blackmagic Design Pty. Ltd.** (AU)

(**) Term: **14 Years**

(21) Appl. No.: **29/434,456**

(22) Filed: **Oct. 12, 2012**

(30) **Foreign Application Priority Data**

Apr. 13, 2012 (AU) 11838/2012
Apr. 13, 2012 (AU) 11839/2012
Apr. 13, 2012 (AU) 11840/2012

(51) **LOC (10) Cl.** **16-05**

(52) **U.S. Cl.**
USPC **D16/219**

(58) **Field of Classification Search**

CPC G03B 15/03; G03B 17/02; G03B 17/04;
G03B 17/56; G03B 19/04; H04N 5/2251;
H04N 5/2252; H04N 5/2253; H04N 5/2254;
H04N 2101/00
USPC D16/200, 202-206, 208, 218, 219, 242;
D3/267; 348/373-376; 396/535,
396/539-541

See application file for complete search history.

(56) **References Cited**

U.S. PATENT DOCUMENTS

D338,330 S * 8/1993 Kohno et al. D3/267

D431,829 S * 10/2000 Fujii D16/209

(Continued)

Primary Examiner — Adir Aronovich

Assistant Examiner — Ramzi Almatrahi

(74) *Attorney, Agent, or Firm* — SAIDMAN DesignLaw Group

(57) **CLAIM**

The ornamental design for a camera, as shown and described.

DESCRIPTION

FIG. 1 is a front elevational view of a camera showing our new design;

FIG. 2 is a top, plan view thereof;

FIG. 3 is a rear elevational view thereof;

FIG. 4 is a bottom plan view thereof;

FIG. 5 is a right side elevational view thereof;

FIG. 6 is a left side elevational view thereof;

FIG. 7 is a top, front, and right side perspective view thereof;

FIG. 8 is a top, rear, and left side perspective view thereof;

FIG. 9 is a bottom, front, and left side perspective view thereof;

FIG. 10 is a bottom, rear, and right side perspective view thereof;

FIG. 11 is a front elevational view of a second embodiment thereof;

FIG. 12 is a top, plan view thereof;

FIG. 13 is a rear elevational view thereof;

FIG. 14 is a bottom plan view thereof;

FIG. 15 is a right side elevational view thereof;

FIG. 16 is a left side elevational view thereof;

FIG. 17 is a top, front, and right side perspective view thereof;

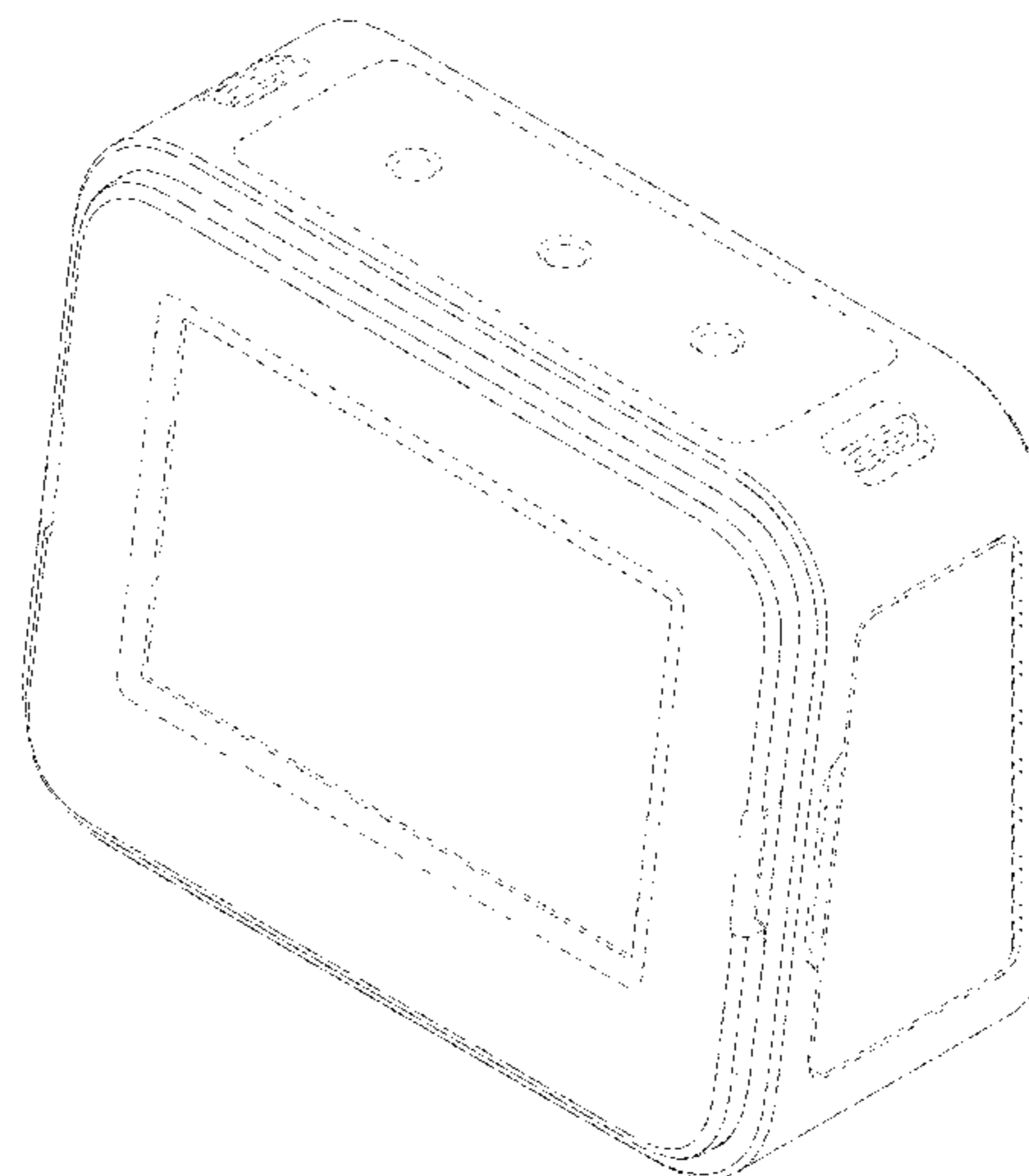
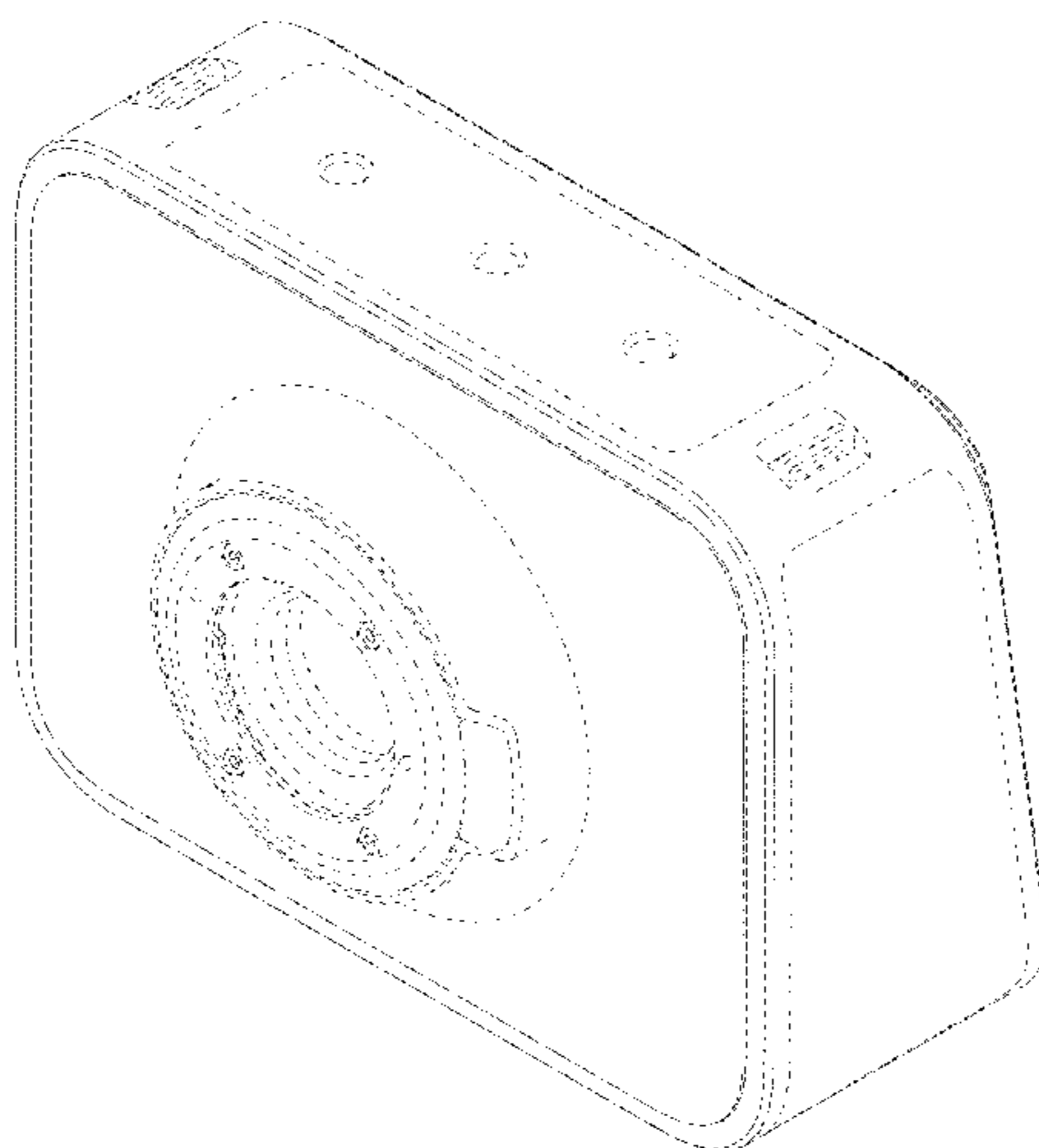
FIG. 18 is a top, rear, and left side perspective view thereof;

FIG. 19 is a bottom, front, and left side perspective view thereof; and,

FIG. 20 is a bottom, rear, and right side perspective view thereof.

The broken lines illustrate environmental structure and form no part of the claimed design.

1 Claim, 20 Drawing Sheets



US D711,952 S

Page 2

(56)

References Cited

U.S. PATENT DOCUMENTS

D483,049 S * 12/2003 Hsieh D16/202
D505,967 S * 6/2005 Ko et al. D16/218
D553,658 S * 10/2007 Naito et al. D16/202

D582,955 S * 12/2008 Sekine et al. D16/218
D647,933 S * 11/2011 Raken et al. D16/202
D647,934 S * 11/2011 Raken et al. D16/202
2010/0073554 A1 * 3/2010 Liu 348/373

* cited by examiner

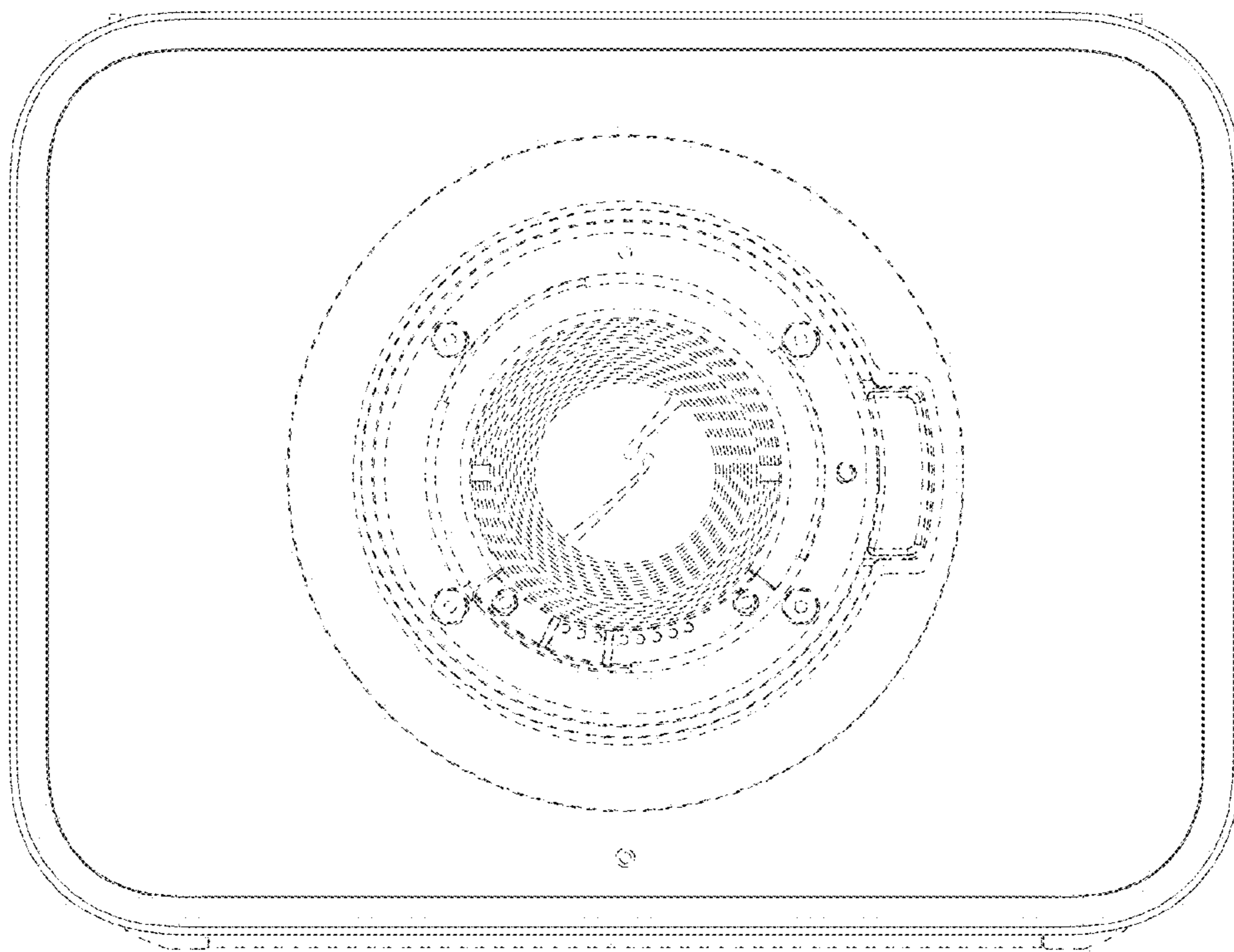


Figure 1

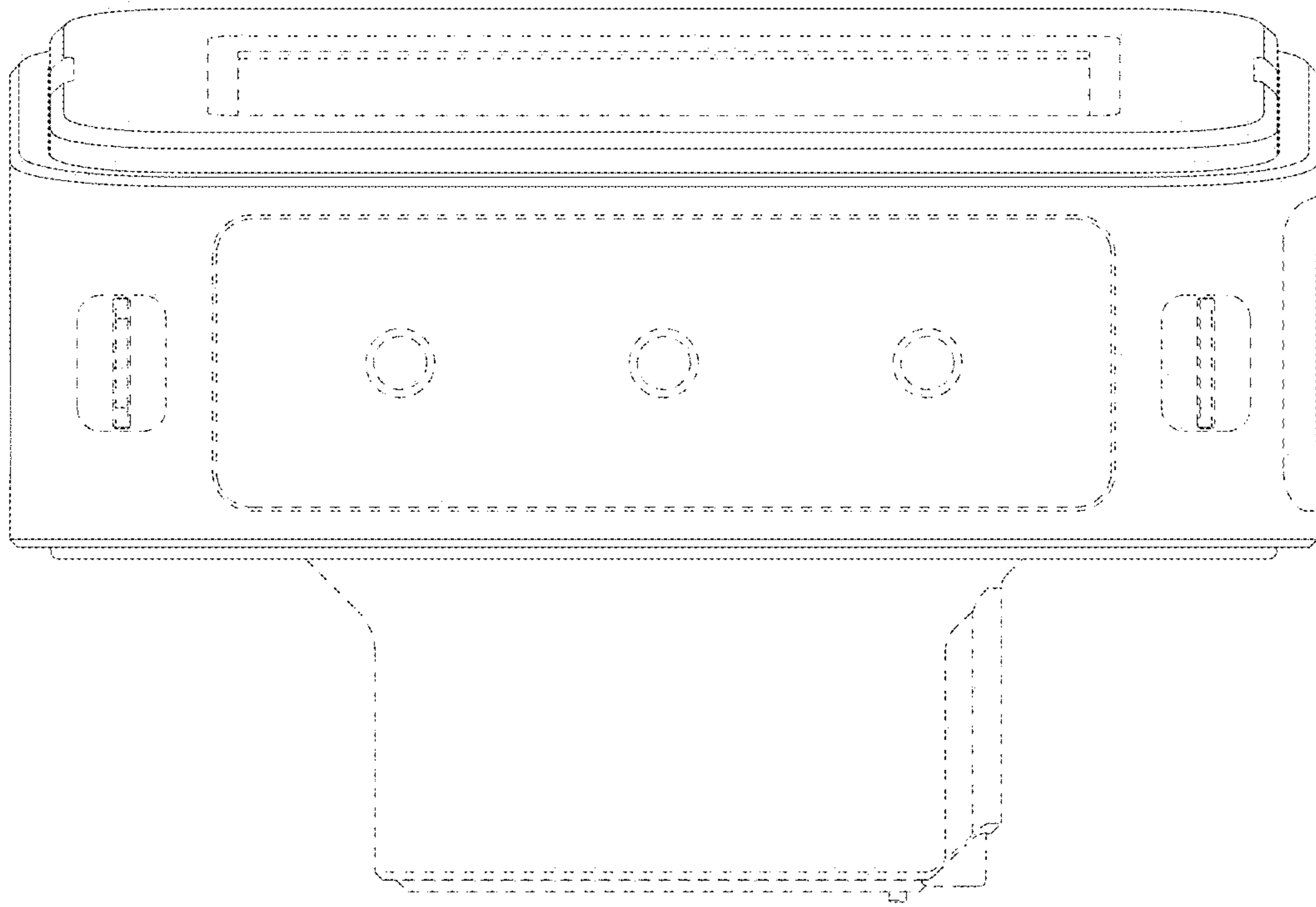


Figure 2

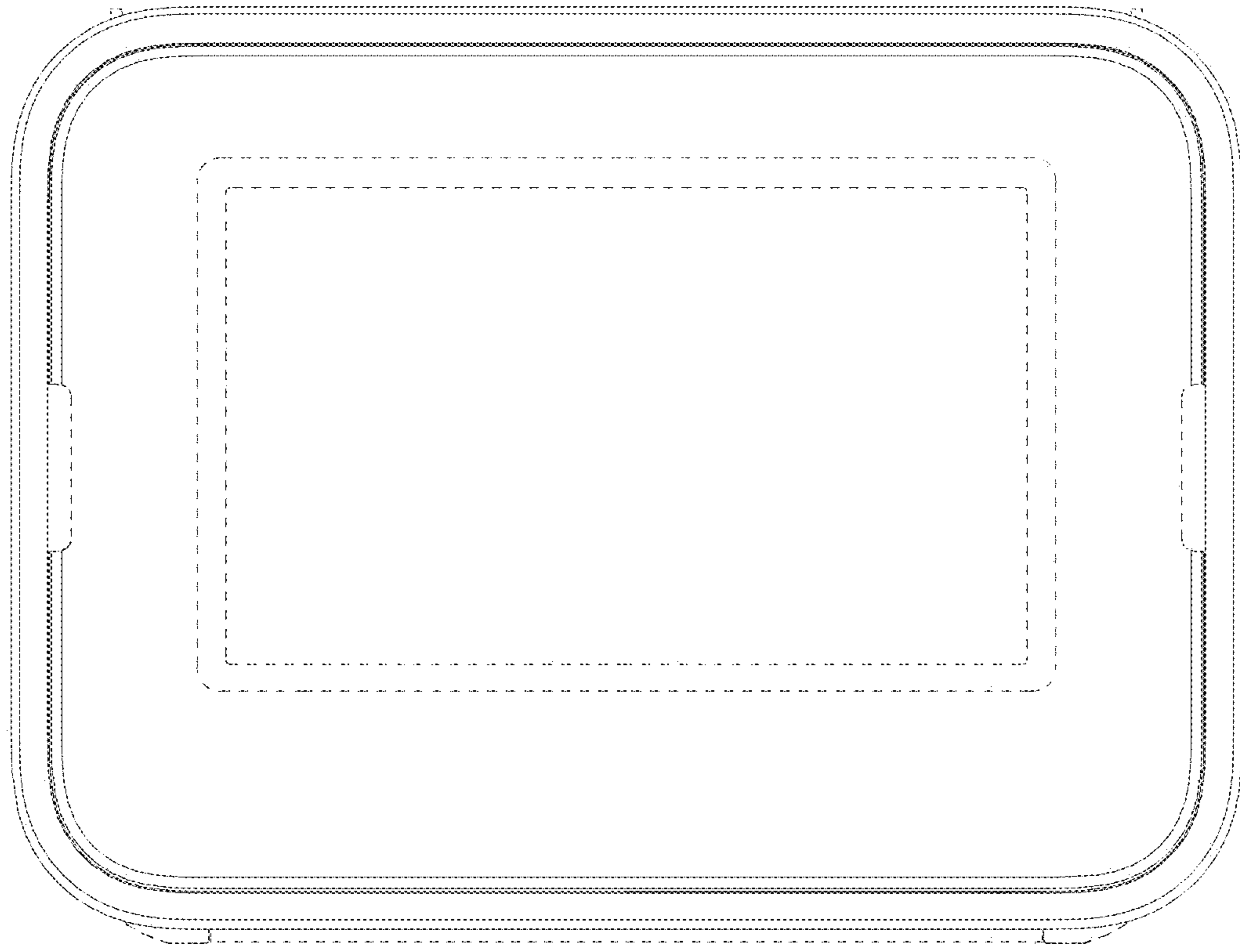


Figure 3

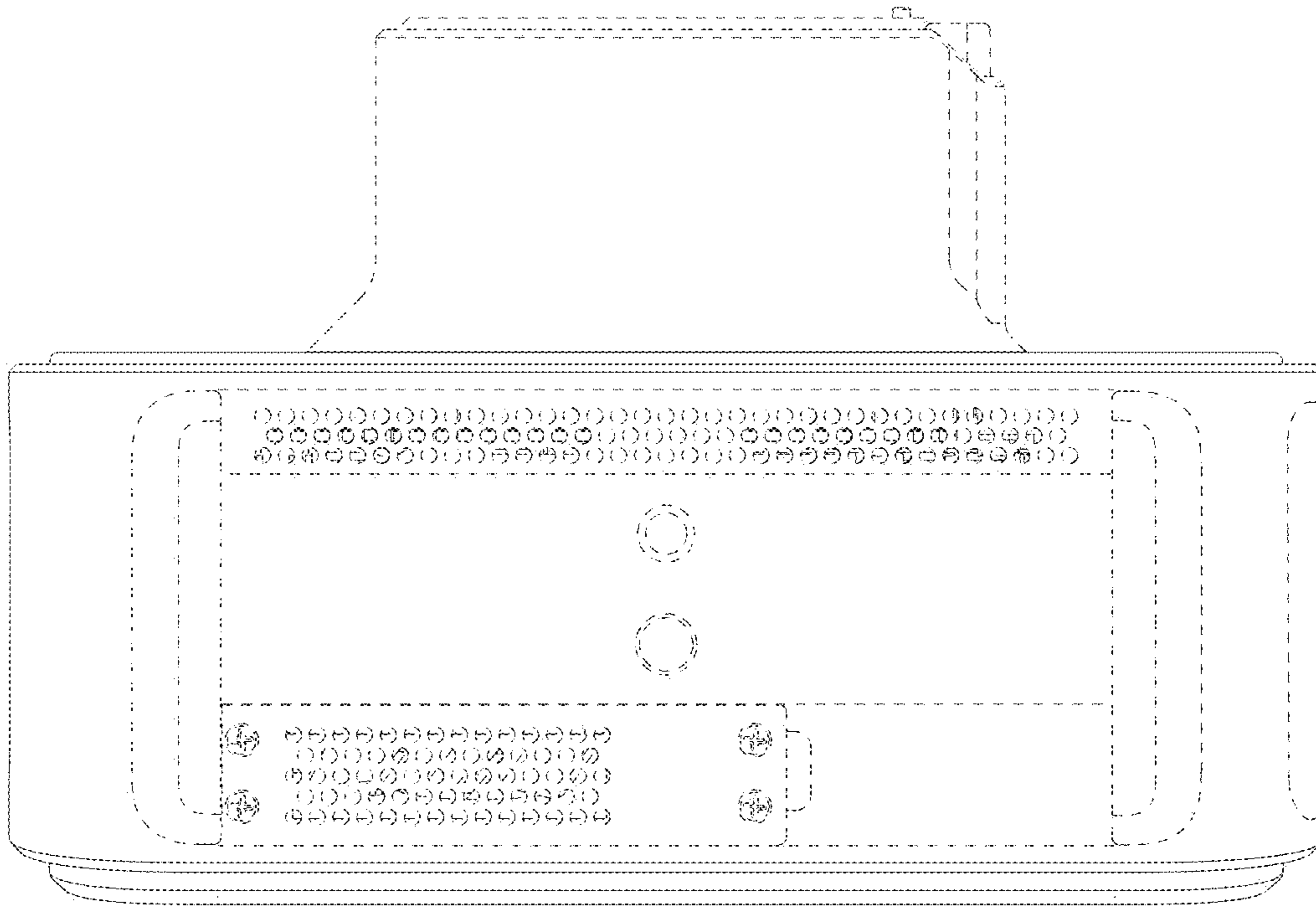


Figure 4

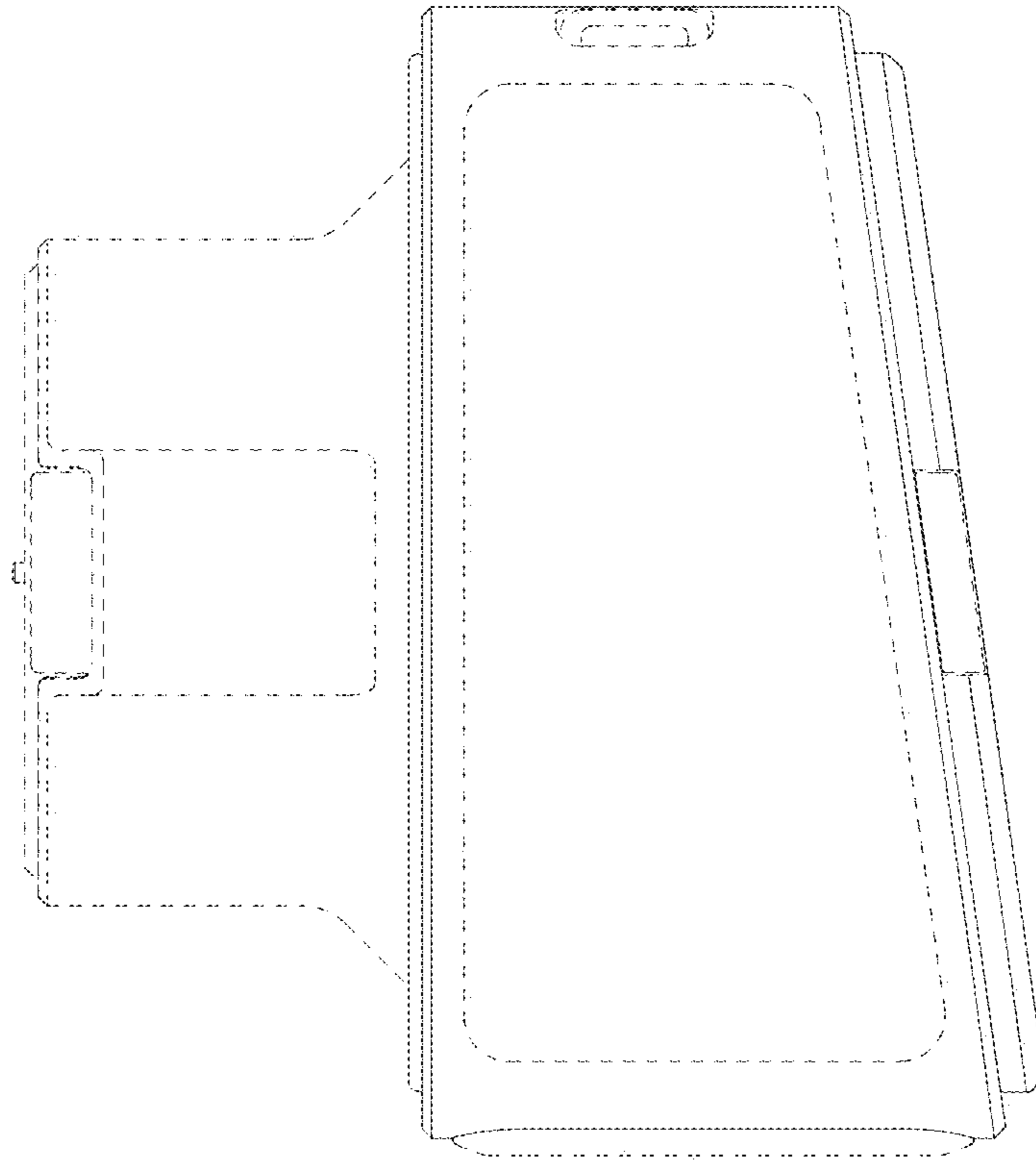


Figure 5

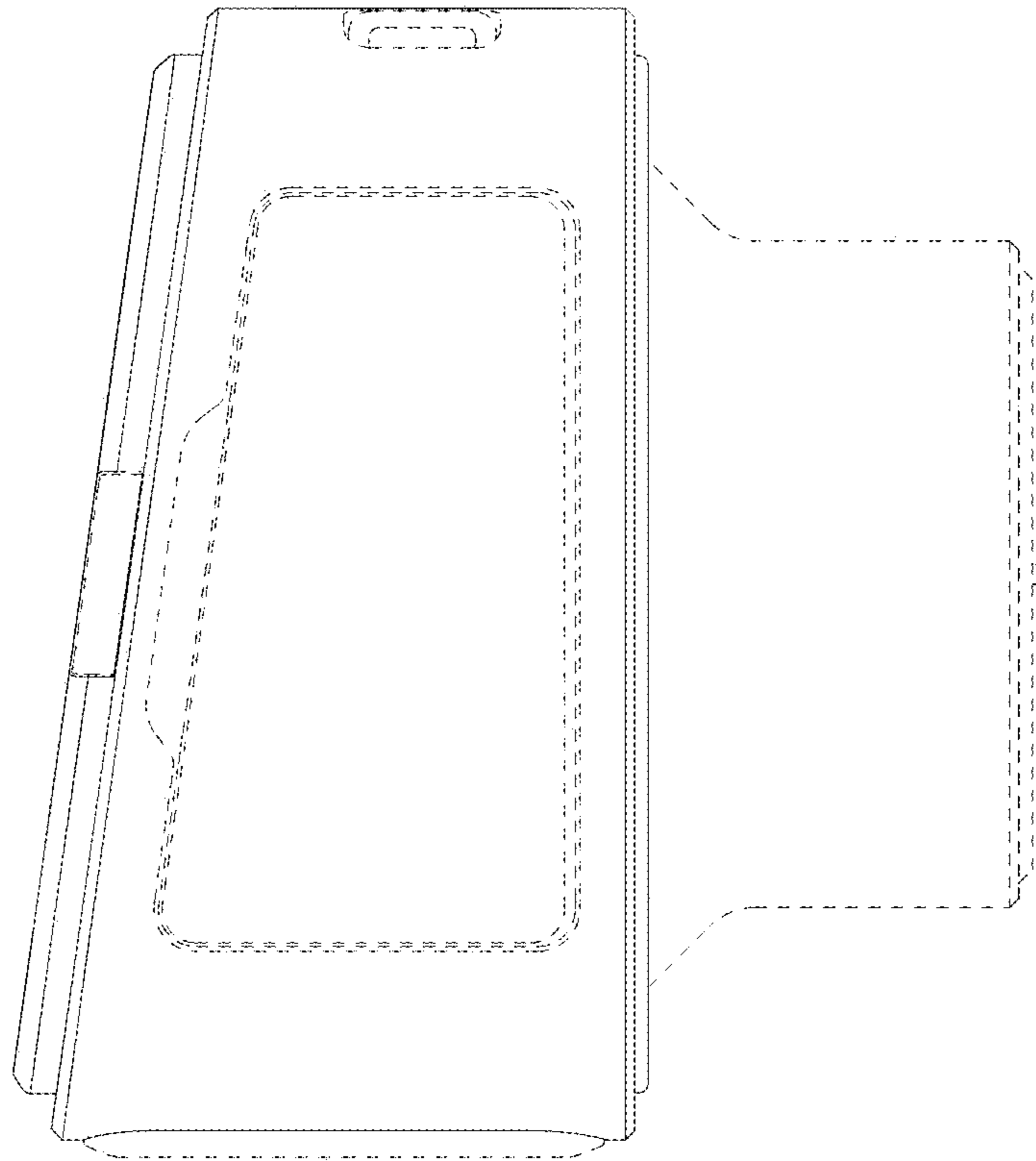


Figure 6

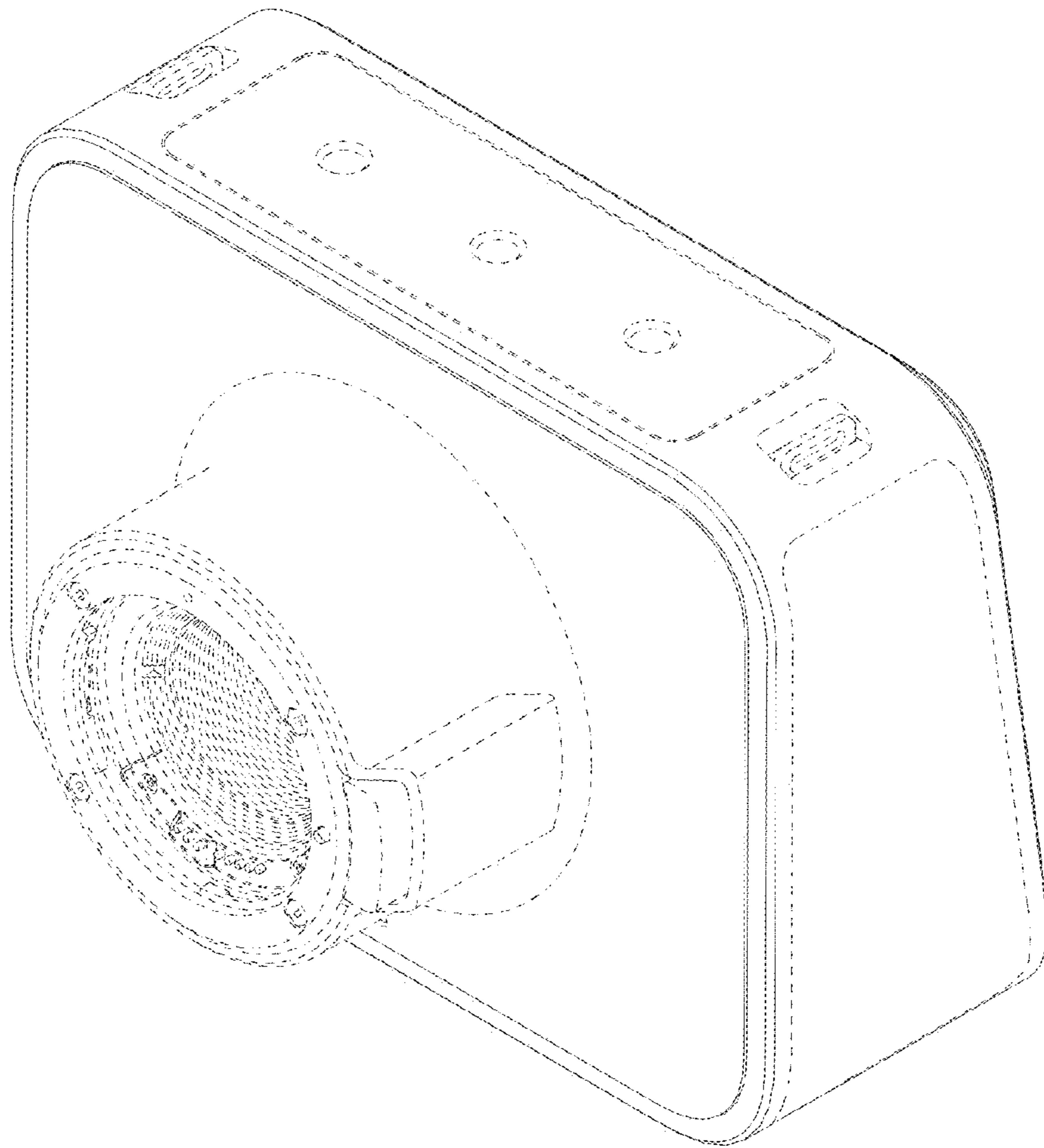


Figure 7

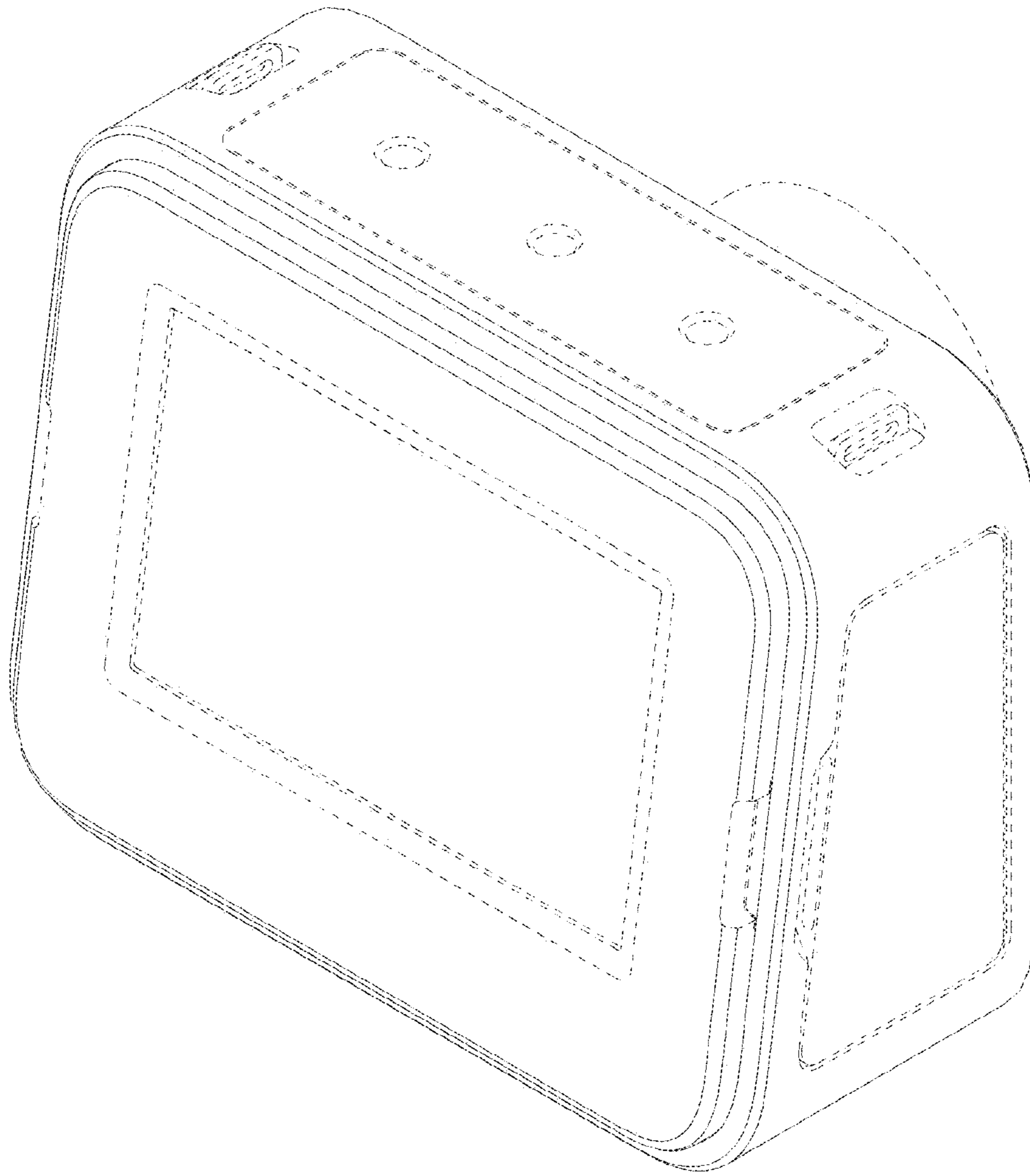


Figure 8

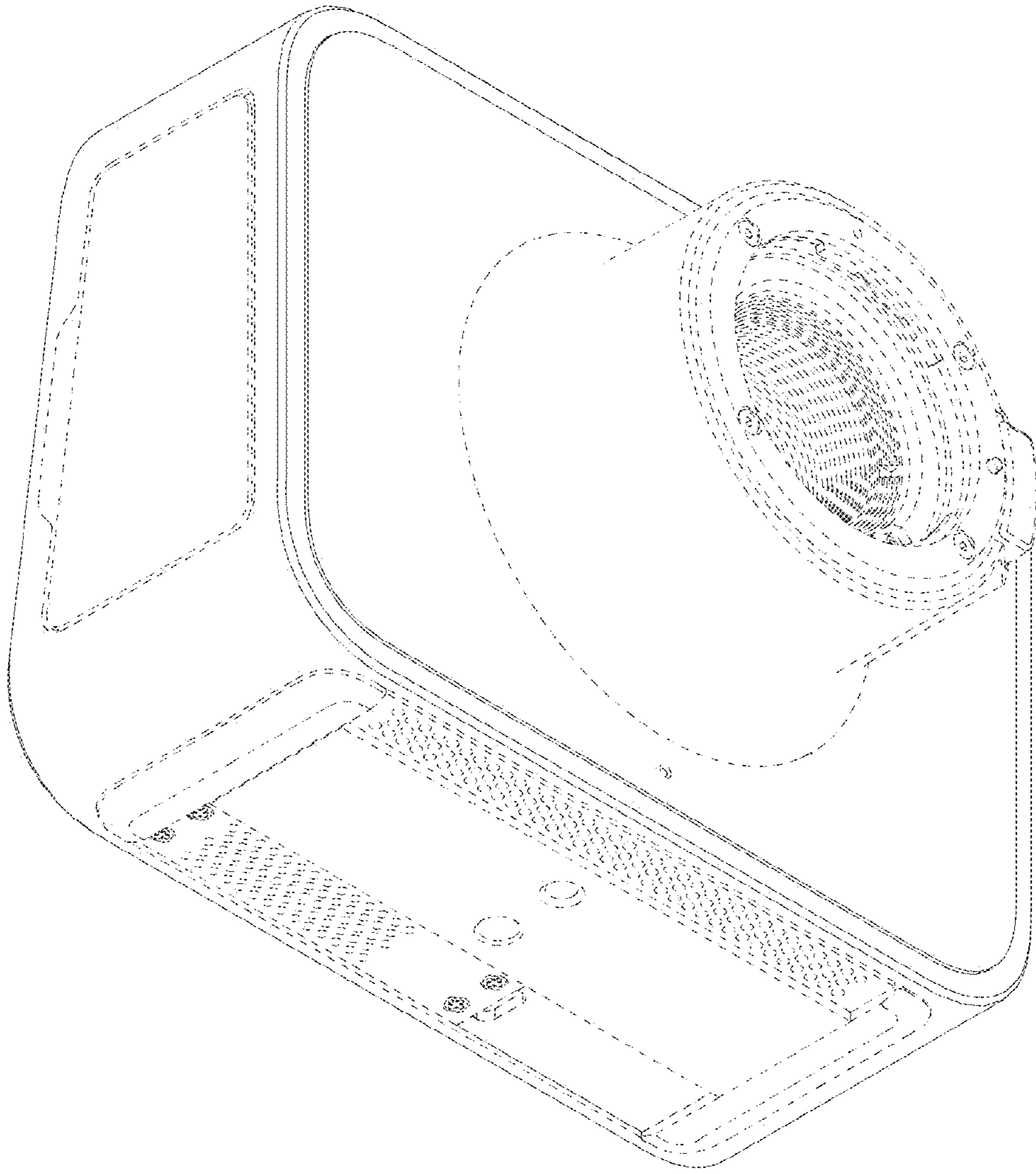


Figure 9

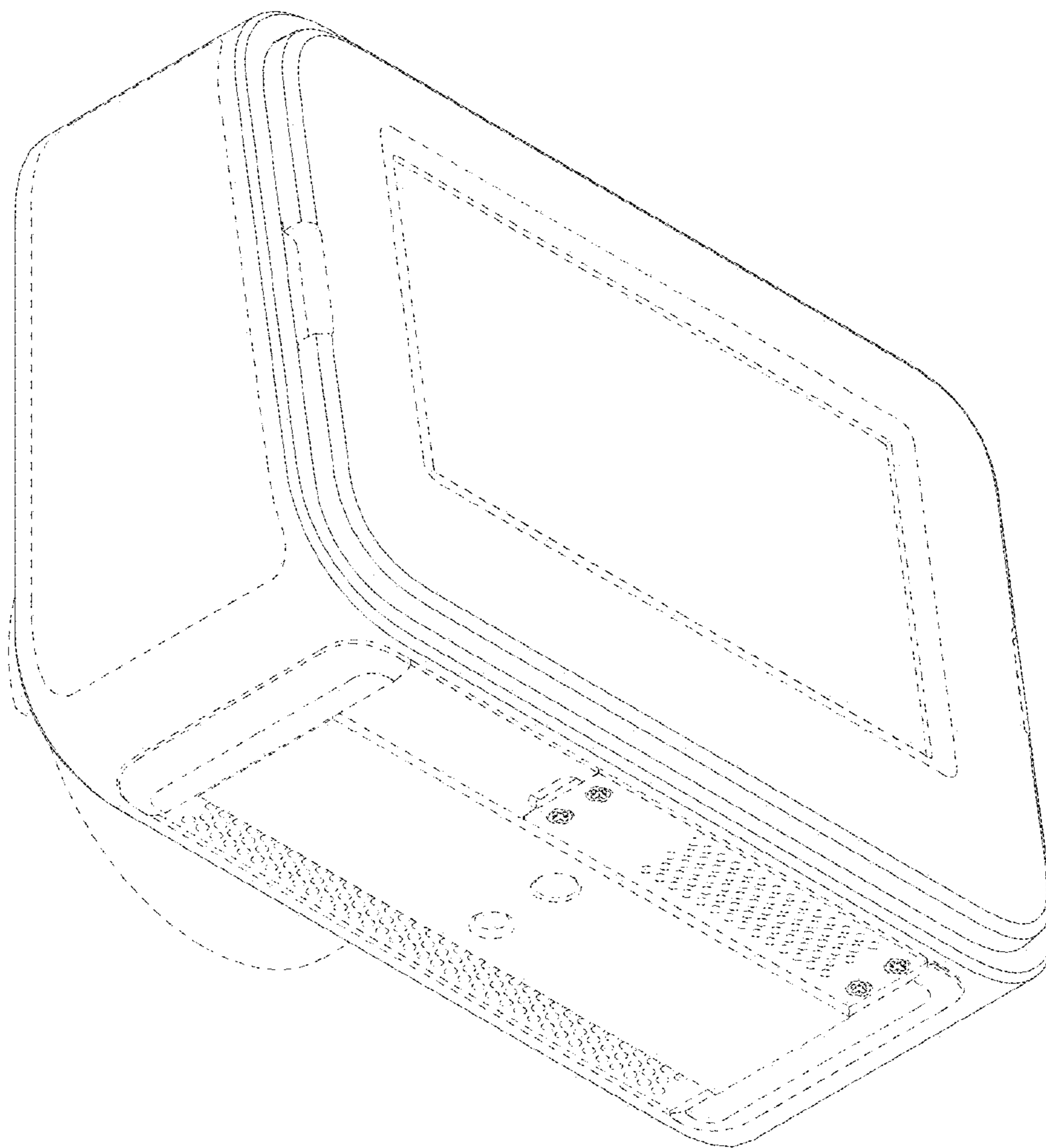


Figure 10

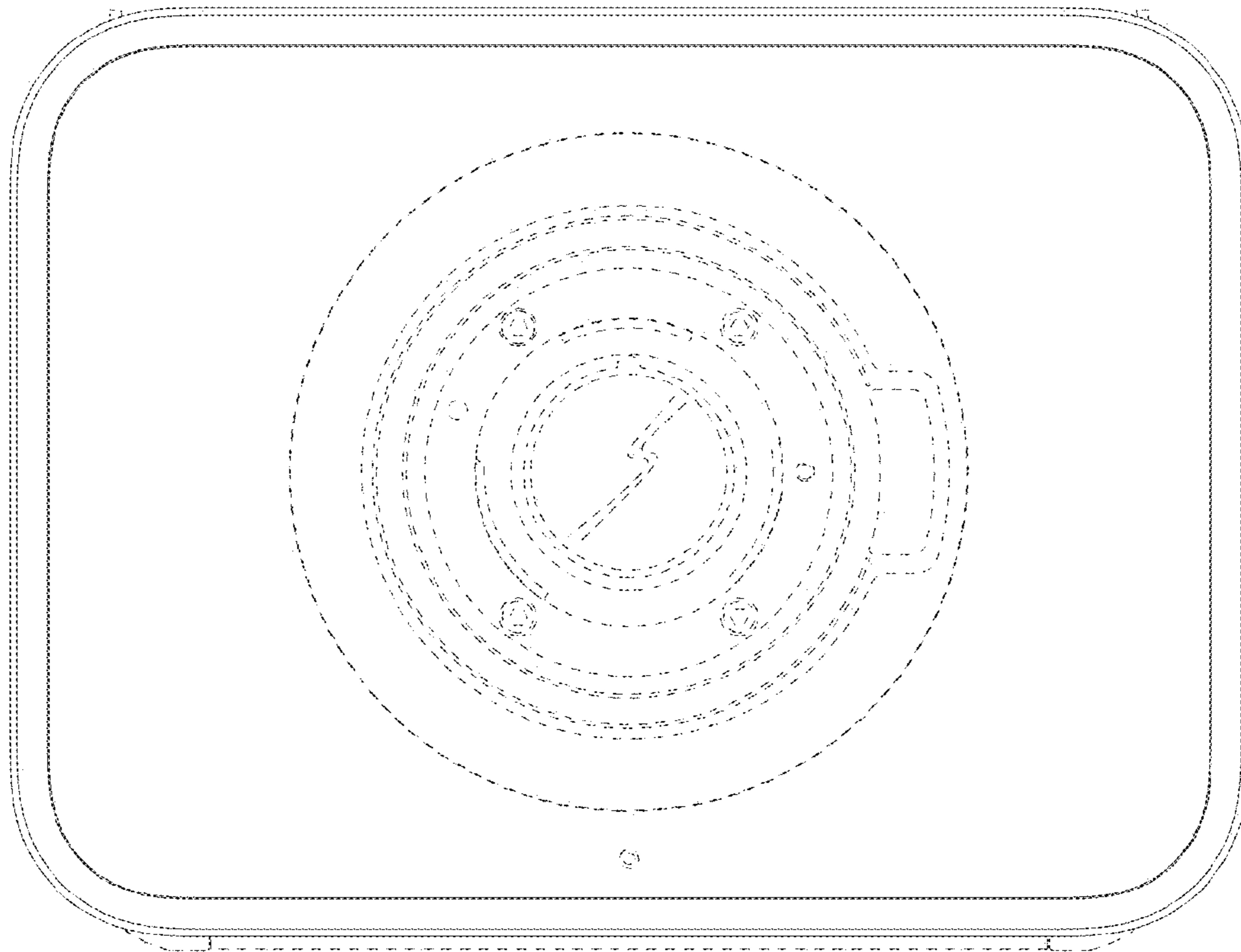


Figure 11

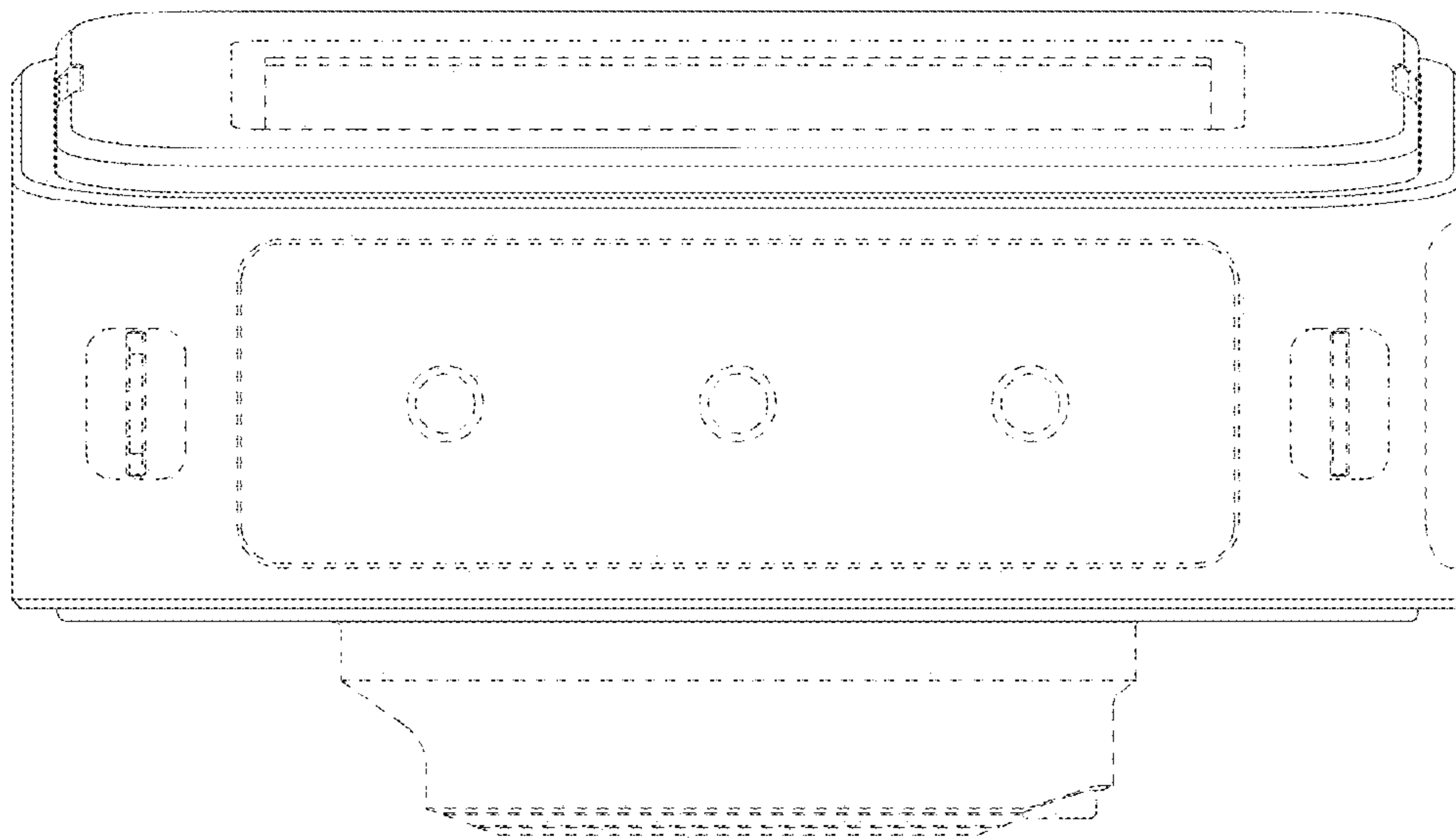


Figure 12

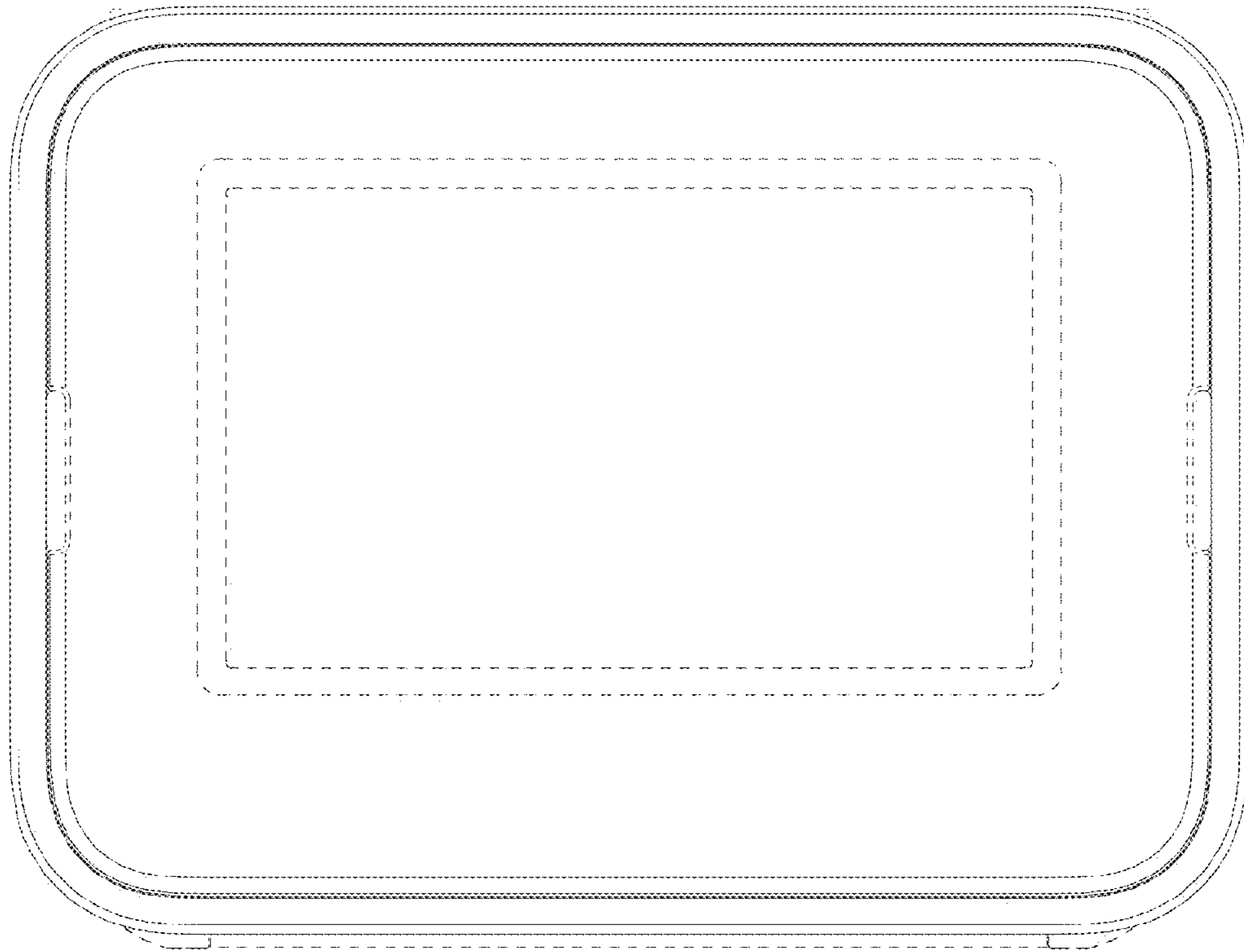


Figure 13

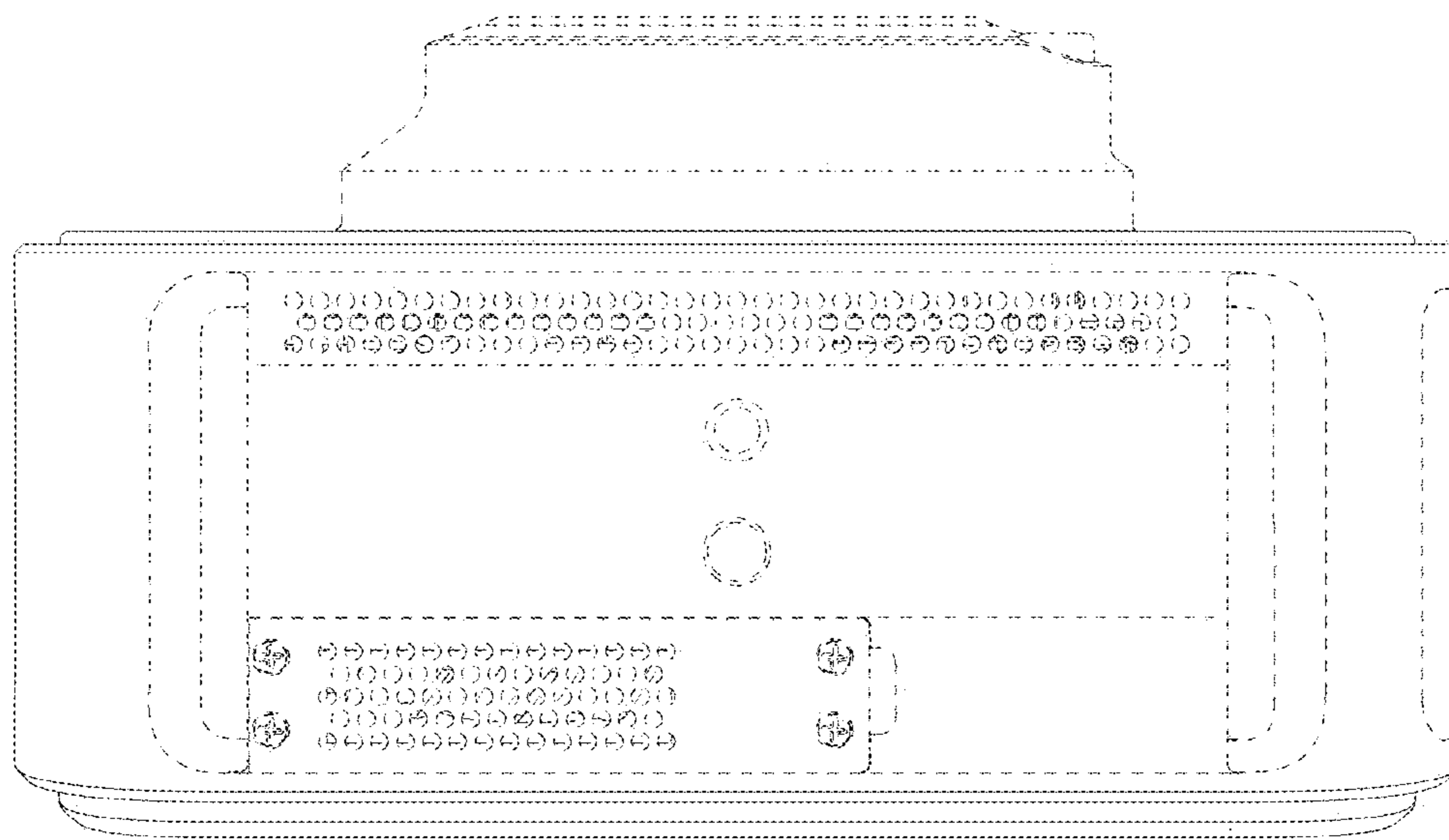


Figure 14

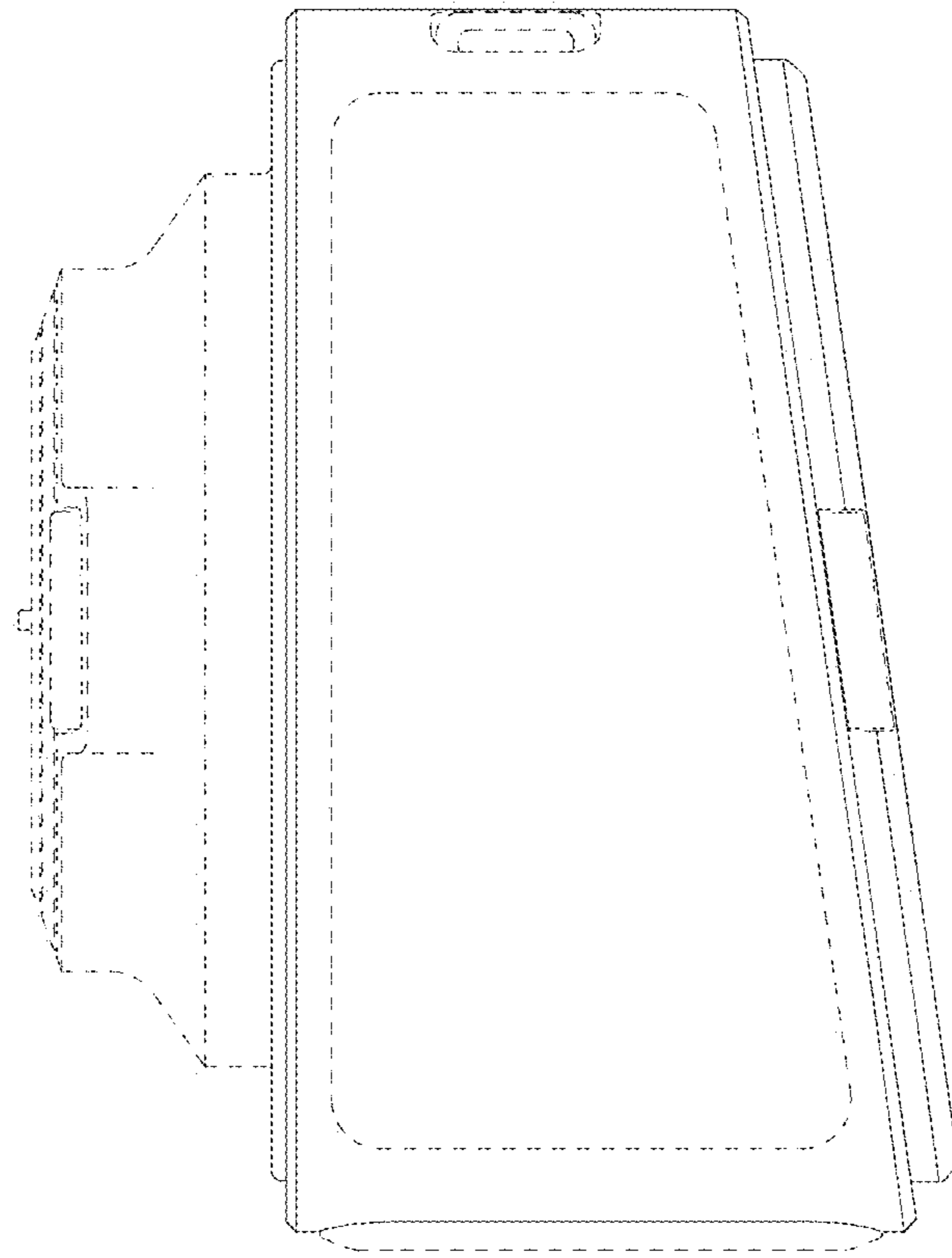


Figure 15

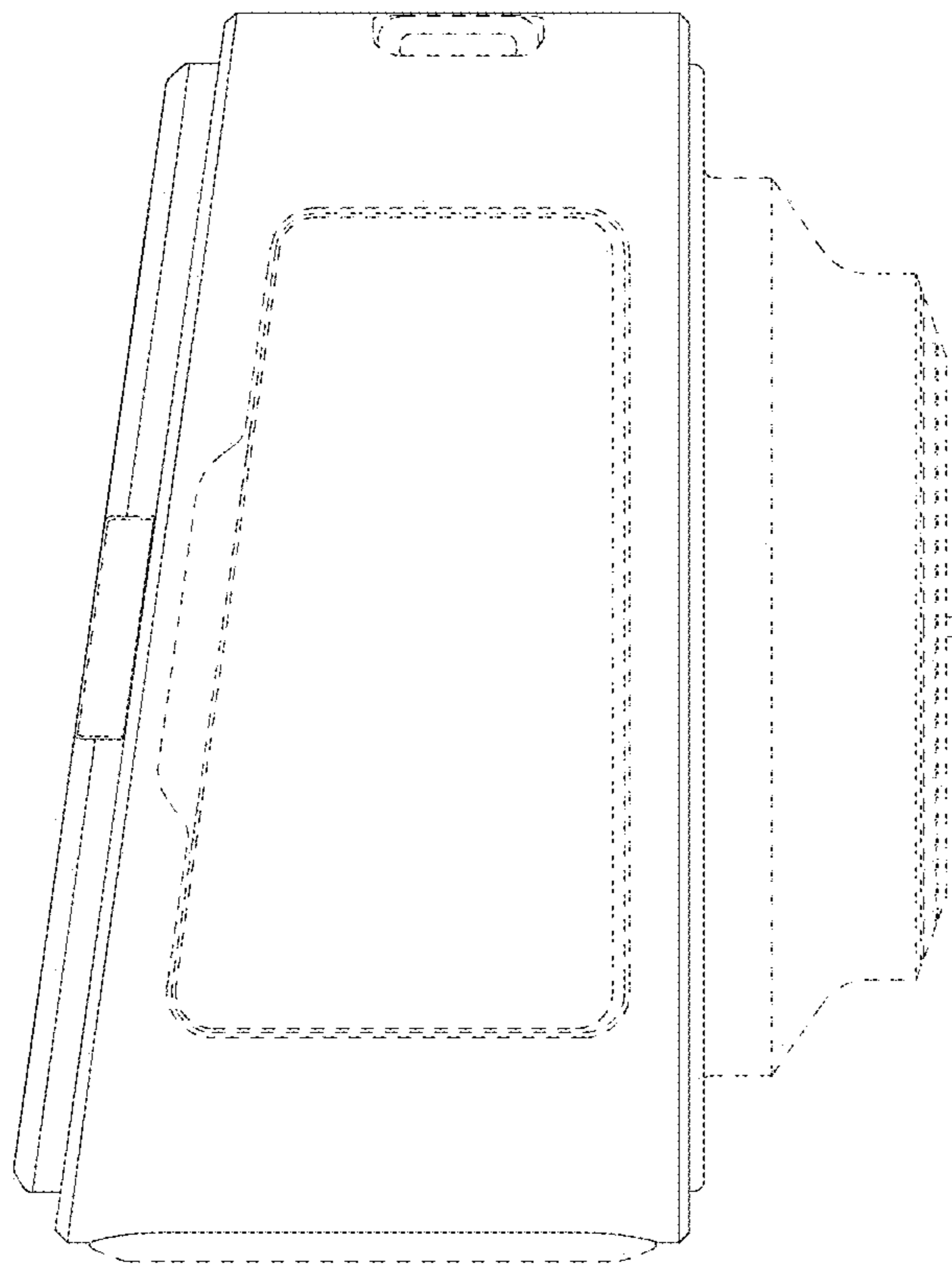


Figure 16

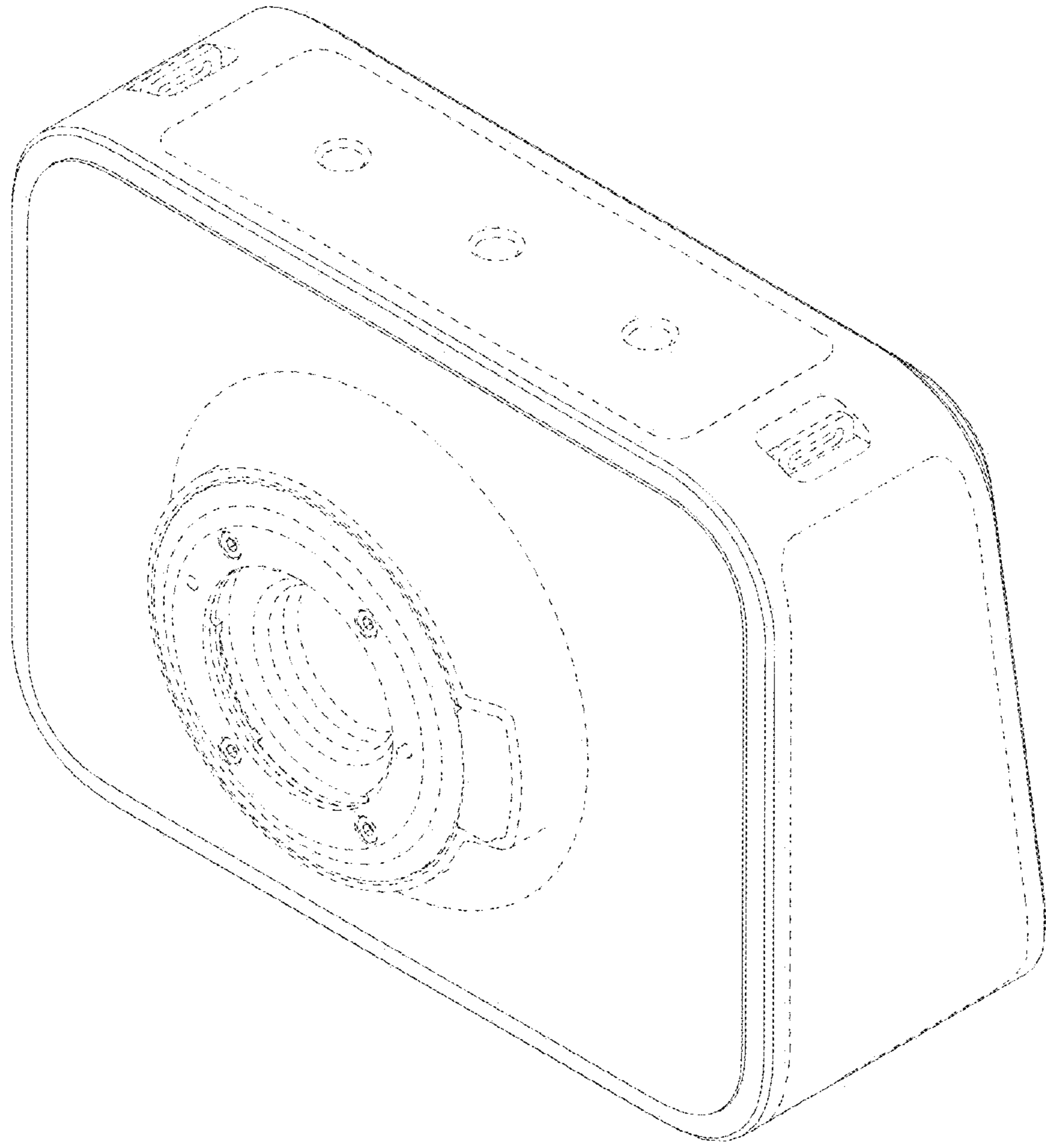


Figure 17

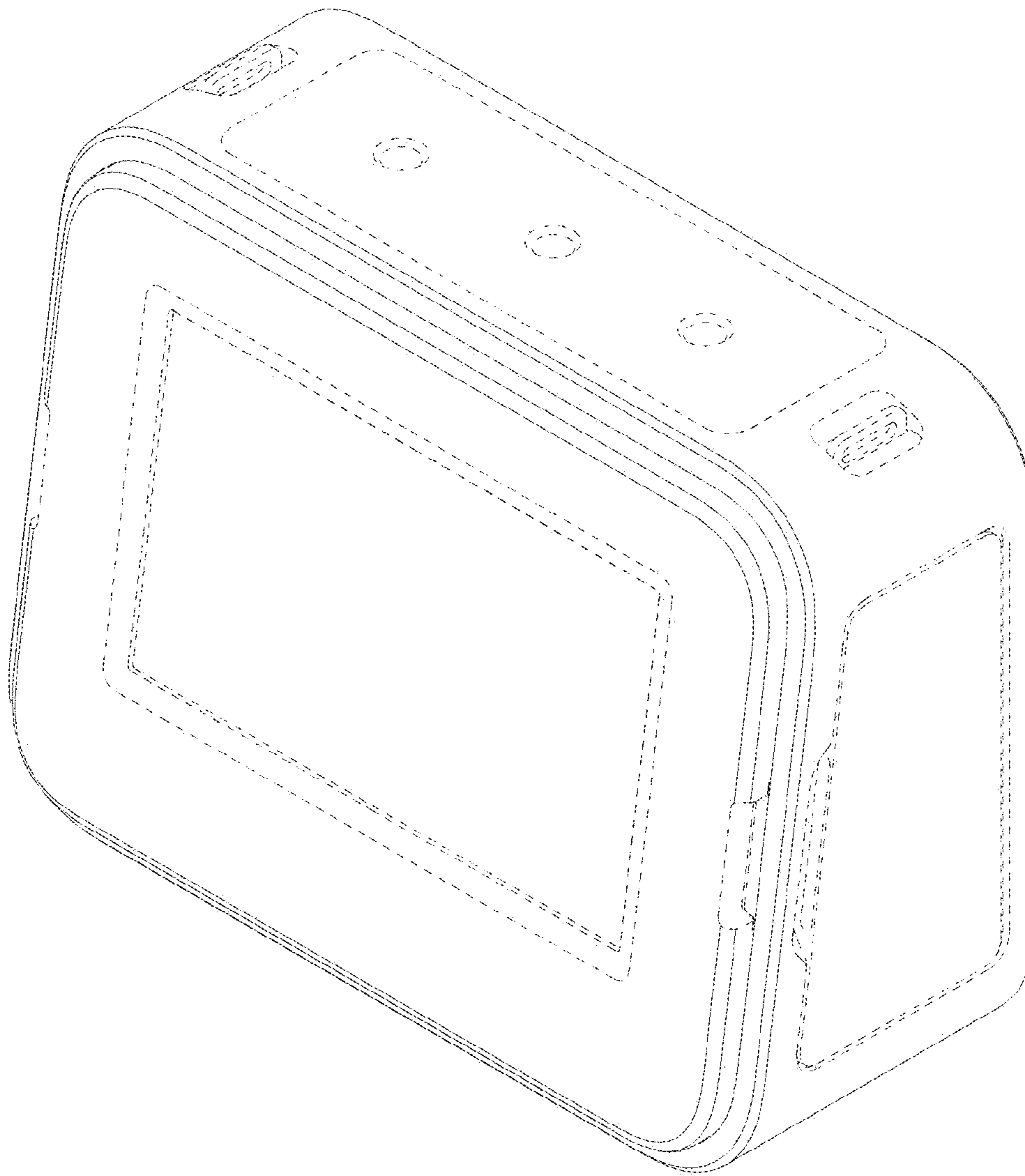


Figure 18

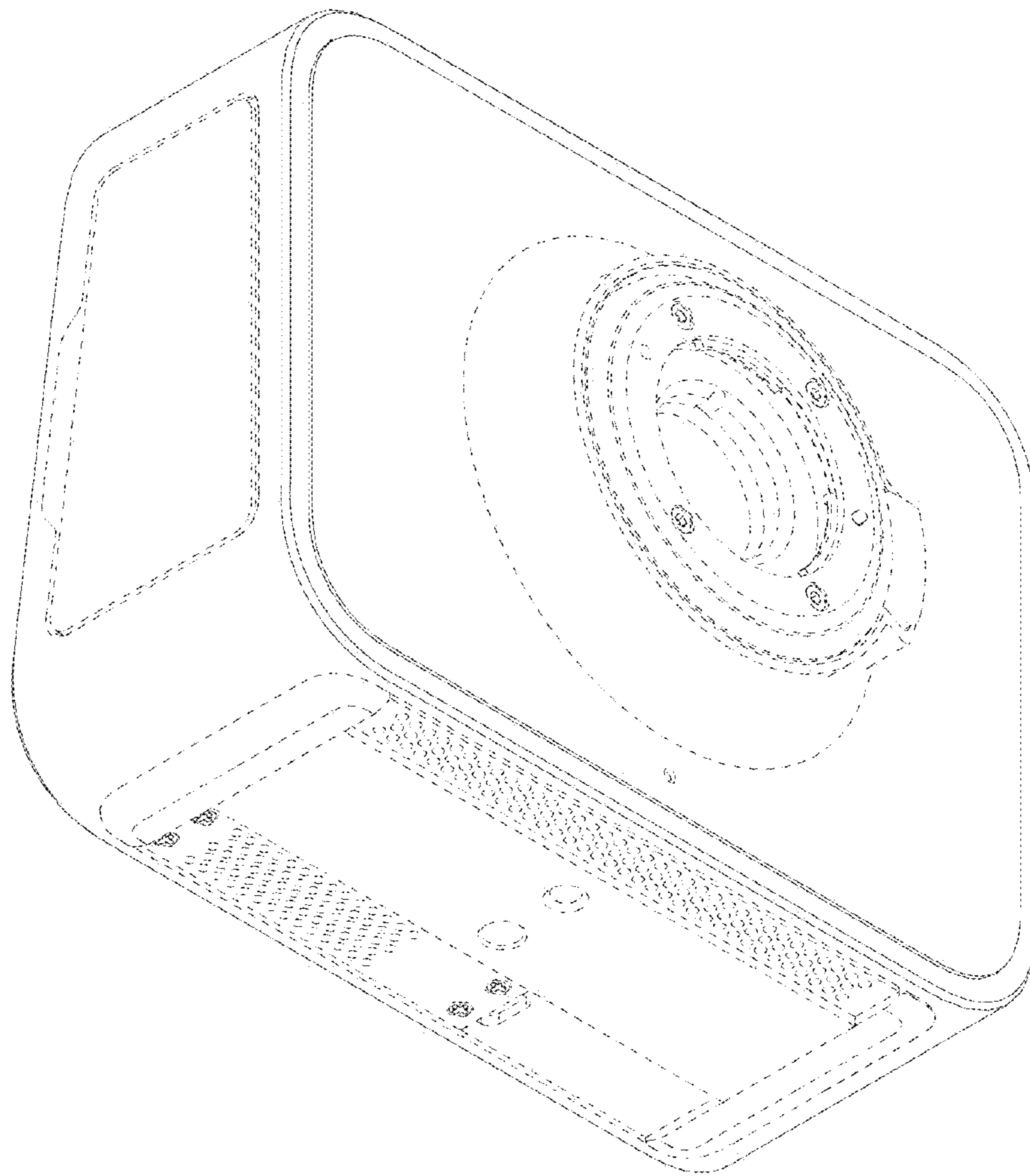


Figure 19

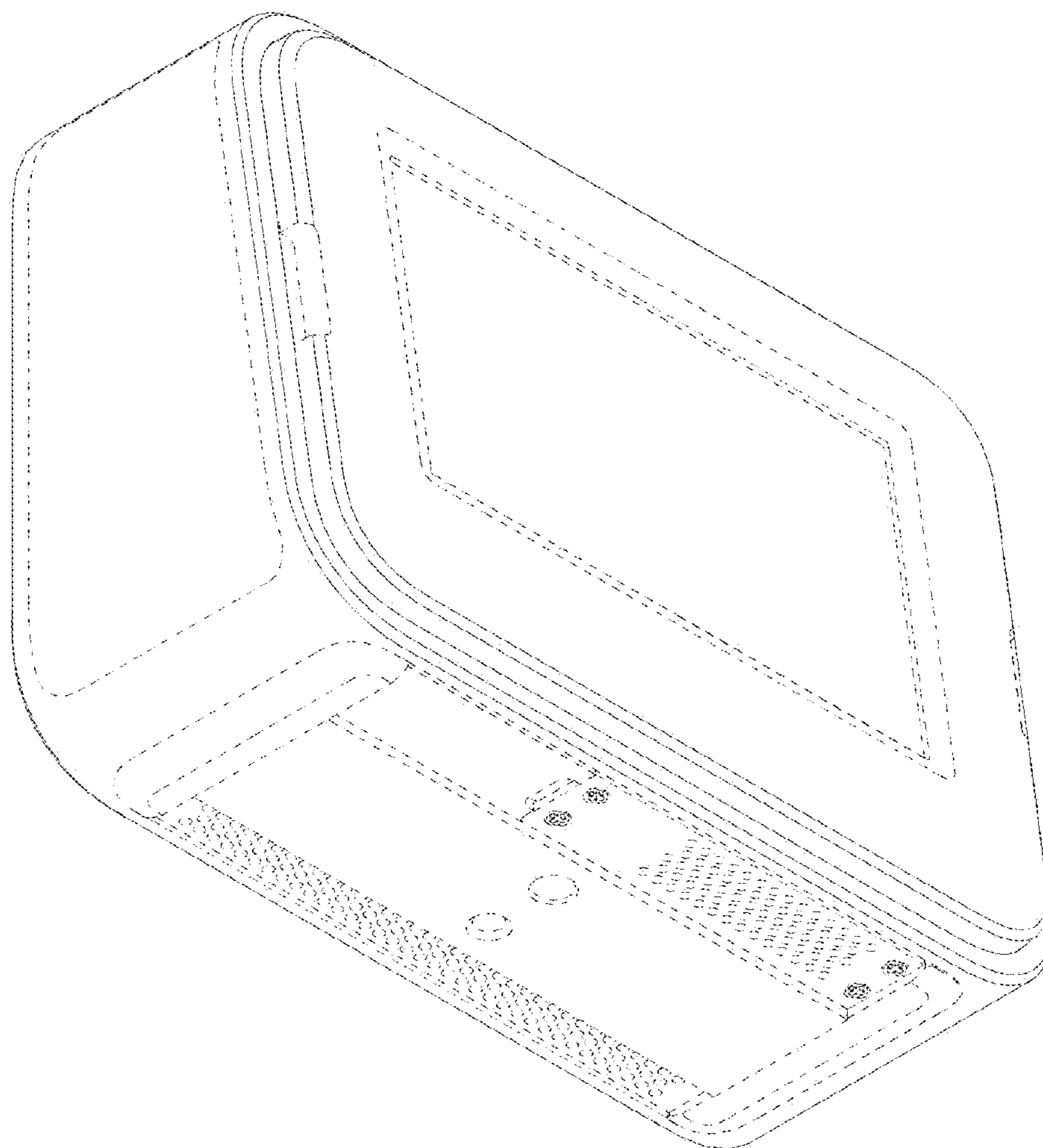


Figure 20

UNITED STATES PATENT AND TRADEMARK OFFICE
CERTIFICATE OF CORRECTION

PATENT NO. : D711,952 S
APPLICATION NO. : 29/434456
DATED : August 26, 2014
INVENTOR(S) : Grant Petty et al.

Page 1 of 1

It is certified that error appears in the above-identified patent and that said Letters Patent is hereby corrected as shown below:

On the title page item (72), line 3, should read

Inventors:Michael Cornish, Black Rock (AU).....

Signed and Sealed this
Thirtieth Day of December, 2014



Michelle K. Lee
Deputy Director of the United States Patent and Trademark Office