



US00D711951S

(12) **United States Design Patent**
Mazuir

(10) **Patent No.:** **US D711,951 S**

(45) **Date of Patent:** **** *Aug. 26, 2014**

(54) **INTRAORAL CAMERA**

(75) Inventor: **Alain Mazuir**, Saint Maximin la Sainte Baume (FR)

(73) Assignee: **Sopro (SA)**, La Ciotat (FR)

(*) Notice: This patent is subject to a terminal disclaimer.

(**) Term: **14 Years**

(21) Appl. No.: **29/375,578**

(22) Filed: **Sep. 24, 2010**

(30) **Foreign Application Priority Data**

Mar. 25, 2010 (EM) 001686973-0001

(51) **LOC (10) Cl.** **16-05**

(52) **U.S. Cl.**
USPC **D16/218**

(58) **Field of Classification Search**
USPC D16/216, 200, 206; 348/66; 606/169, 606/210; 345/173; 200/5 R; 356/419; D24/137, 138, 141, 152, 156, 176, D24/180; 358/909.1; 433/29, 37, 73, 116; 600/109, 167, 168
See application file for complete search history.

(56) **References Cited**

U.S. PATENT DOCUMENTS

5,523,782 A * 6/1996 Williams 348/66
5,771,067 A * 6/1998 Williams et al. 348/66
5,861,002 A * 1/1999 Desai 606/210
D414,867 S * 10/1999 Moriwaki et al. D24/152
6,181,369 B1 * 1/2001 Ooshima et al. 348/66
6,249,348 B1 * 6/2001 Jung et al. 356/419
D468,429 S * 1/2003 Bareth et al. D24/152
D493,530 S * 7/2004 Reschke D24/144

6,867,380 B2 * 3/2005 Miki et al. 200/5 R
6,908,307 B2 * 6/2005 Schick 433/29
6,958,766 B2 * 10/2005 Cooper 348/66
7,139,016 B2 * 11/2006 Squilla et al. 348/66
D613,865 S * 4/2010 De Charentenay D24/152
D630,747 S * 1/2011 Shinohara et al. D24/152
D648,026 S * 11/2011 Okawa et al. D24/152
8,063,932 B2 * 11/2011 Boyer et al. 348/66
D690,346 S * 9/2013 Woolley D16/204
2002/0003323 A1 * 1/2002 Chase 266/101
2005/0003323 A1 * 1/2005 Katsuda et al. 433/29

OTHER PUBLICATIONS

Sopro Life, Sopro Acteon Imaging, Livret Clinique, Clinical booklet, Copyright 2009, 24 pages.
Sopro Life Leaflet, The Blue Revolution, Sopro Acteon Imaging, Copyright 2009, 8 pages.

* cited by examiner

Primary Examiner — Cynthia Underwood

(74) *Attorney, Agent, or Firm* — Maier & Maier, PLLC

(57) **CLAIM**

The ornamental design for an intraoral camera, as shown and described.

DESCRIPTION

FIG. 1 is a perspective view of the intraoral camera, showing my new design;

FIG. 2 is a front plan view thereof;

FIG. 3 is a back plan view thereof;

FIG. 4 is a right side elevation view thereof;

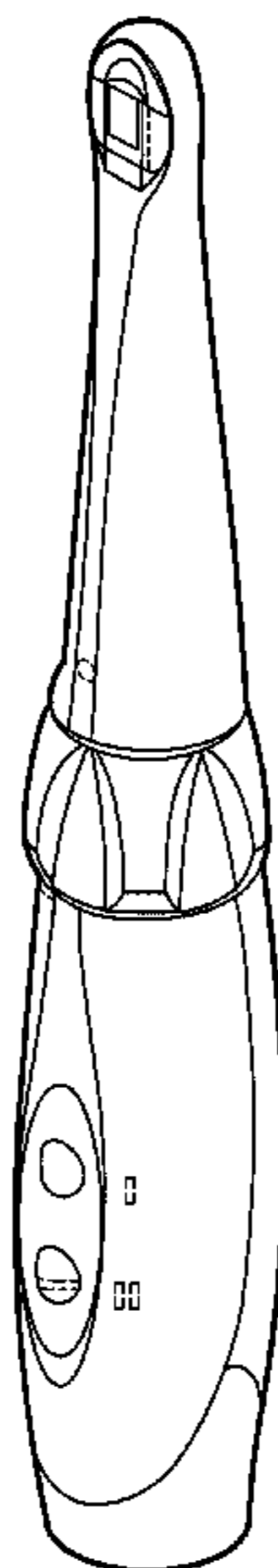
FIG. 5 is a left side elevation view thereof;

FIG. 6 is a top plan view thereof; and,

FIG. 7 is a bottom plan view thereof.

In the drawings, the broken lines depict environmental subject matter only for illustrative purposes and form no part of the claimed design.

1 Claim, 7 Drawing Sheets



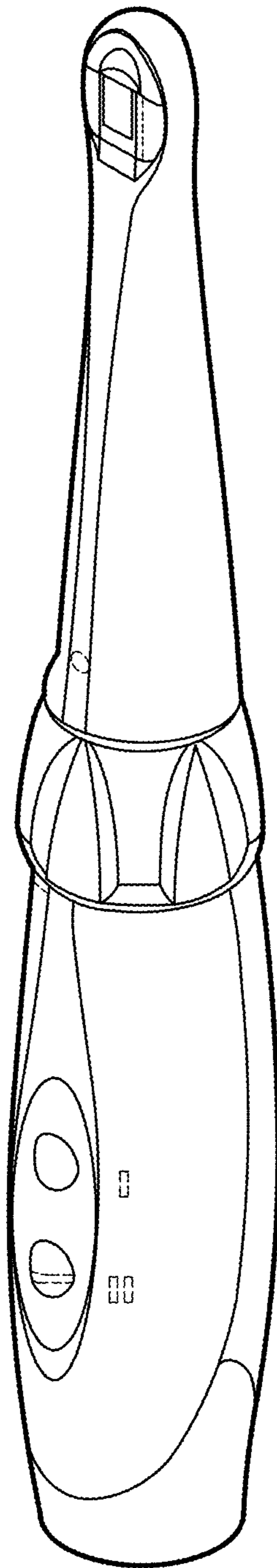


FIG. 1

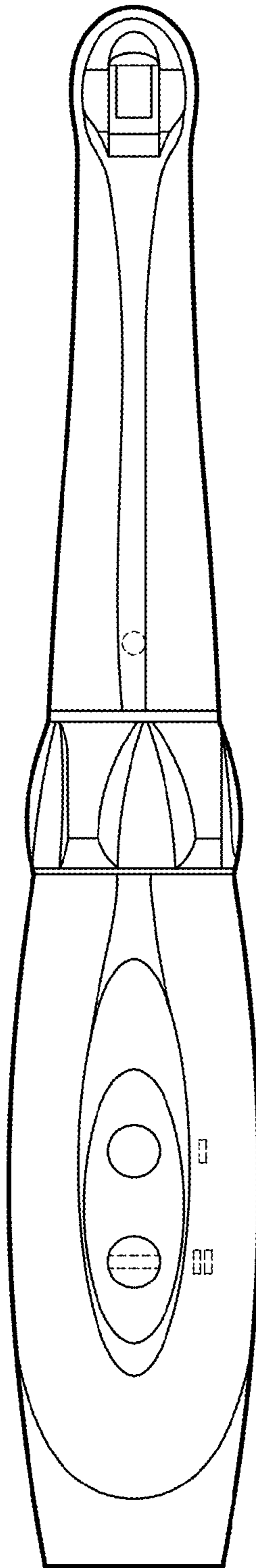


FIG. 2

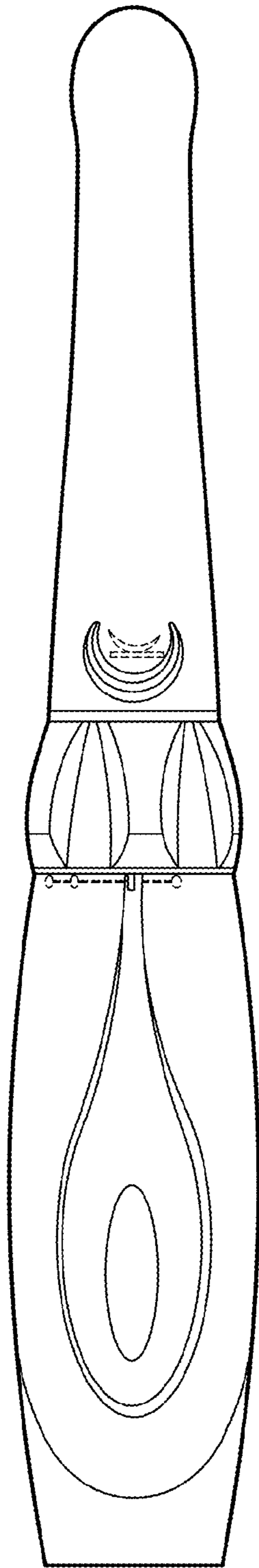


FIG. 3

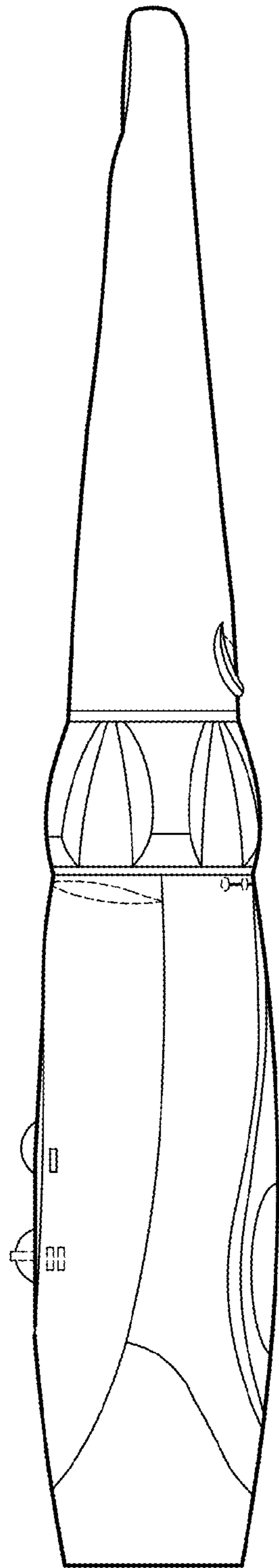


FIG. 4

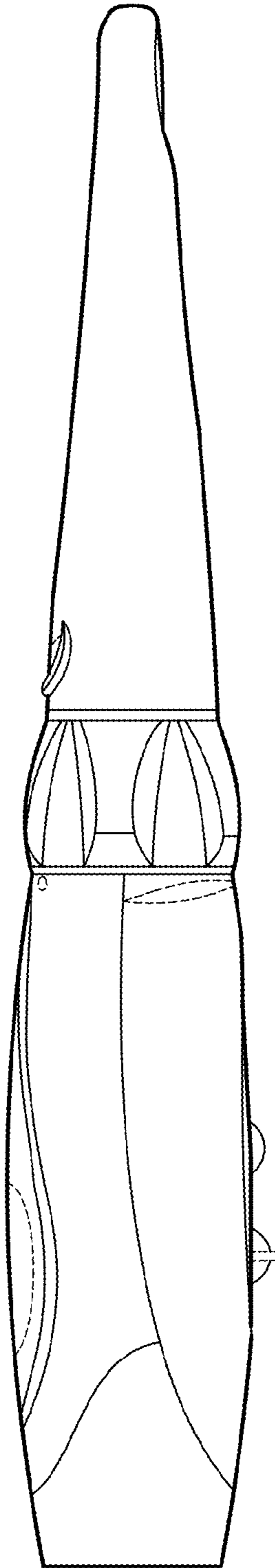


FIG. 5

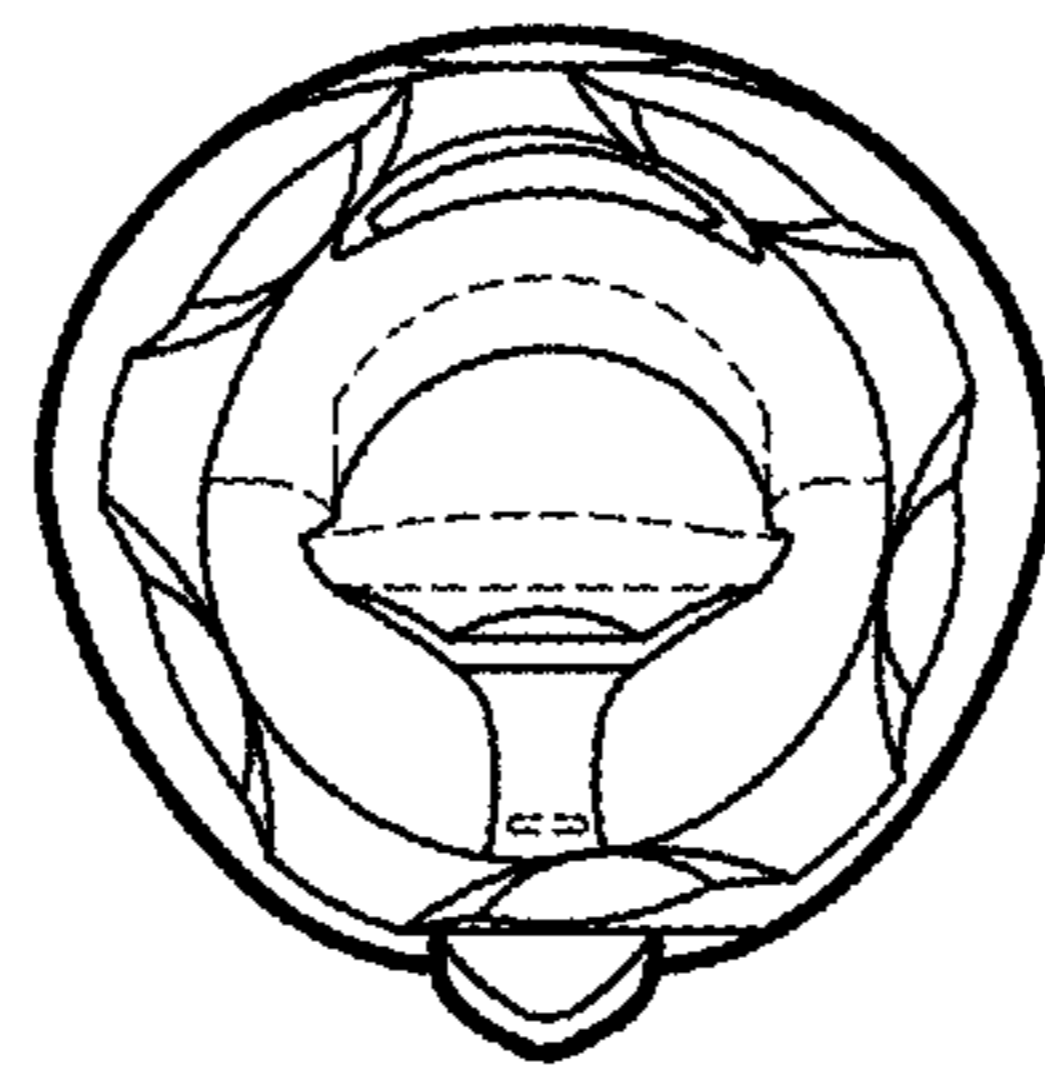


FIG. 6

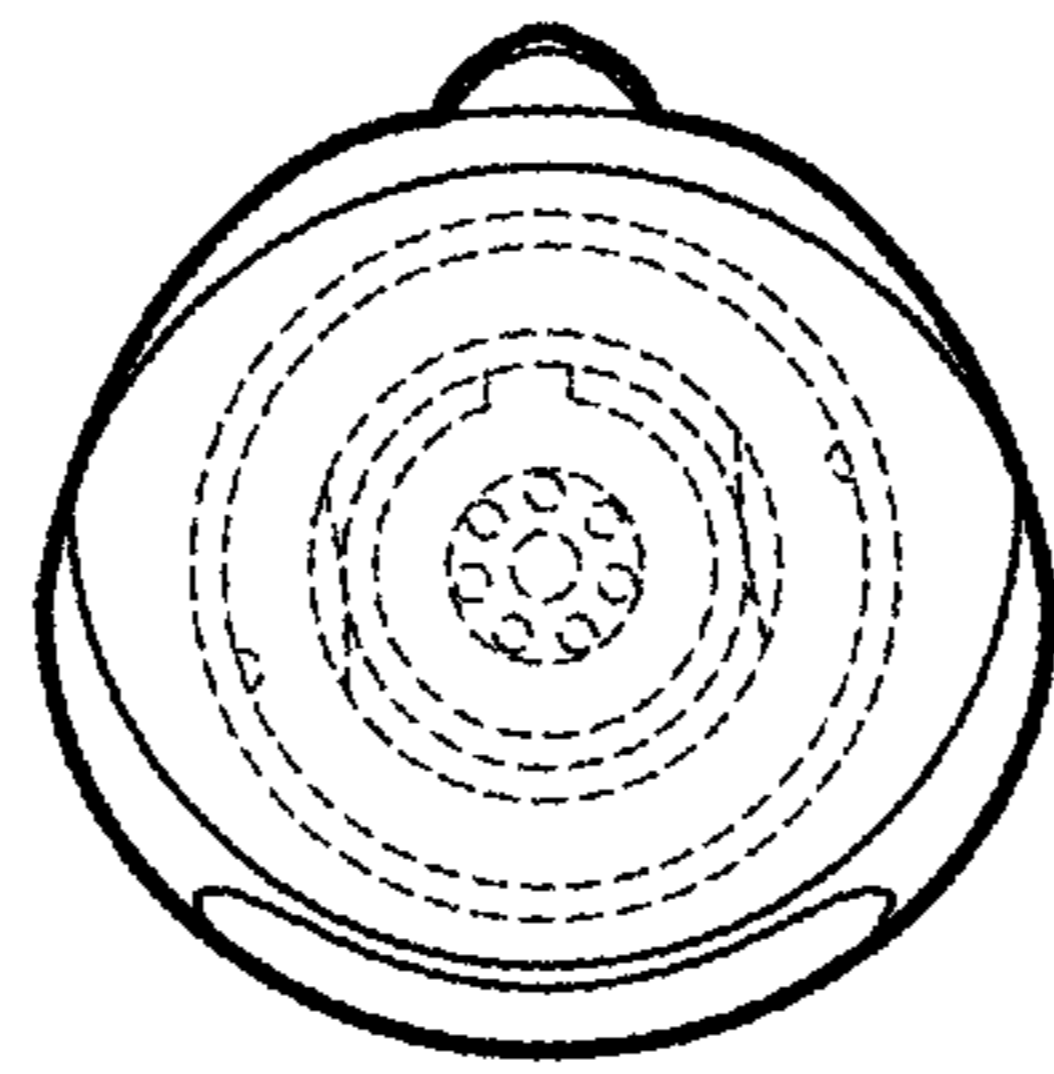


FIG. 7