



US00D711949S

(12) **United States Design Patent**
Koenck et al.

(10) **Patent No.:** **US D711,949 S**

(45) **Date of Patent:** **** Aug. 26, 2014**

(54) **HELMET MOUNTED VISION DEVICE**

(71) Applicants: **Steven E. Koenck**, Cedar Rapids, IA (US); **David W. Jensen**, Marion, IA (US); **John D. Reasoner**, Cedar Rapids, IA (US)

(72) Inventors: **Steven E. Koenck**, Cedar Rapids, IA (US); **David W. Jensen**, Marion, IA (US); **John D. Reasoner**, Cedar Rapids, IA (US)

(73) Assignee: **Rockwell Collins, Inc.**, Cedar Rapids, IA (US)

(**) Term: **14 Years**

(21) Appl. No.: **29/460,507**

(22) Filed: **Jul. 11, 2013**

(51) **LOC (10) Cl.** **16-06**

(52) **U.S. Cl.**
USPC **D16/130; D16/135**

(58) **Field of Classification Search**
CPC **A42B 3/04**
USPC **D16/130, 133, 135, 100, 310, 340; 359/407-420; D29/104, 105, 109; 2/15, 410, 423, 424, 209.13; D14/372; 345/8**

See application file for complete search history.

(56) **References Cited**

U.S. PATENT DOCUMENTS

2,187,810 A * 1/1940 Rentz 351/47
2,194,192 A * 3/1940 Auer 2/439
D137,337 S * 2/1944 Gainsborg et al. D29/103
2,614,255 A * 10/1952 Ellis 2/12
3,059,519 A * 10/1962 Stanton 359/482

3,336,598 A * 8/1967 Aebersold et al. 2/10
3,414,347 A * 12/1968 Stoltze 359/480
D214,344 S * 6/1969 Shindler D16/310
3,572,931 A * 3/1971 Adler 356/46
D254,638 S * 4/1980 Bay, Jr. D29/109
4,268,111 A * 5/1981 Green et al. 359/408
D271,307 S * 11/1983 Green et al. D16/133
D275,205 S * 8/1984 Nakayama D16/133
D299,767 S * 2/1989 Hsin D29/109
D300,476 S * 3/1989 Sestak D16/309
5,261,124 A * 11/1993 Day 2/10
5,533,208 A * 7/1996 Tonoyan et al. 2/10
D409,637 S * 5/1999 Tomita et al. D16/133
D420,375 S * 2/2000 Goff et al. D16/135
D454,667 S * 3/2002 Chartrand et al. D29/110
D566,738 S * 4/2008 Himmele D16/133

* cited by examiner

Primary Examiner — Paula Greene

(74) *Attorney, Agent, or Firm* — Donna P. Suchy; Daniel M. Barbieri

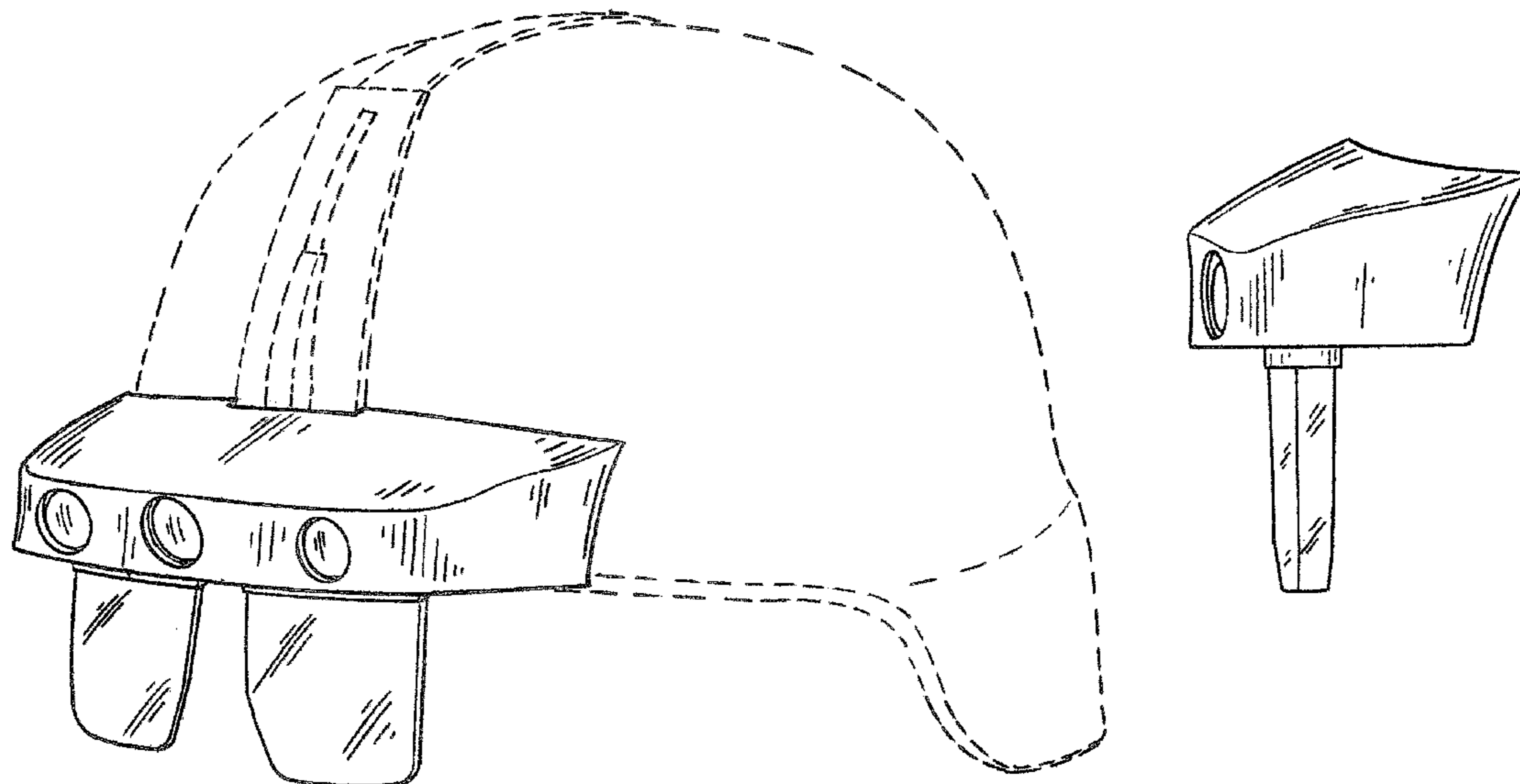
(57) **CLAIM**

The ornamental design for a helmet mounted vision device, as shown and described.

DESCRIPTION

FIG. 1 is a perspective view of a helmet mounted vision device;
FIG. 2 is a top view of a helmet mounted vision device;
FIG. 3 is a front view of a helmet mounted vision device;
FIG. 4 is a left side view of a helmet mounted vision device;
FIG. 5 is a rear view of a helmet mounted vision device;
FIG. 6 is a right side view of a helmet mounted vision device;
and,
FIG. 7 is a bottom view of a helmet mounted vision device.
The broken line showing of the helmet of FIG. 1 forms no part of the claimed design.

1 Claim, 3 Drawing Sheets



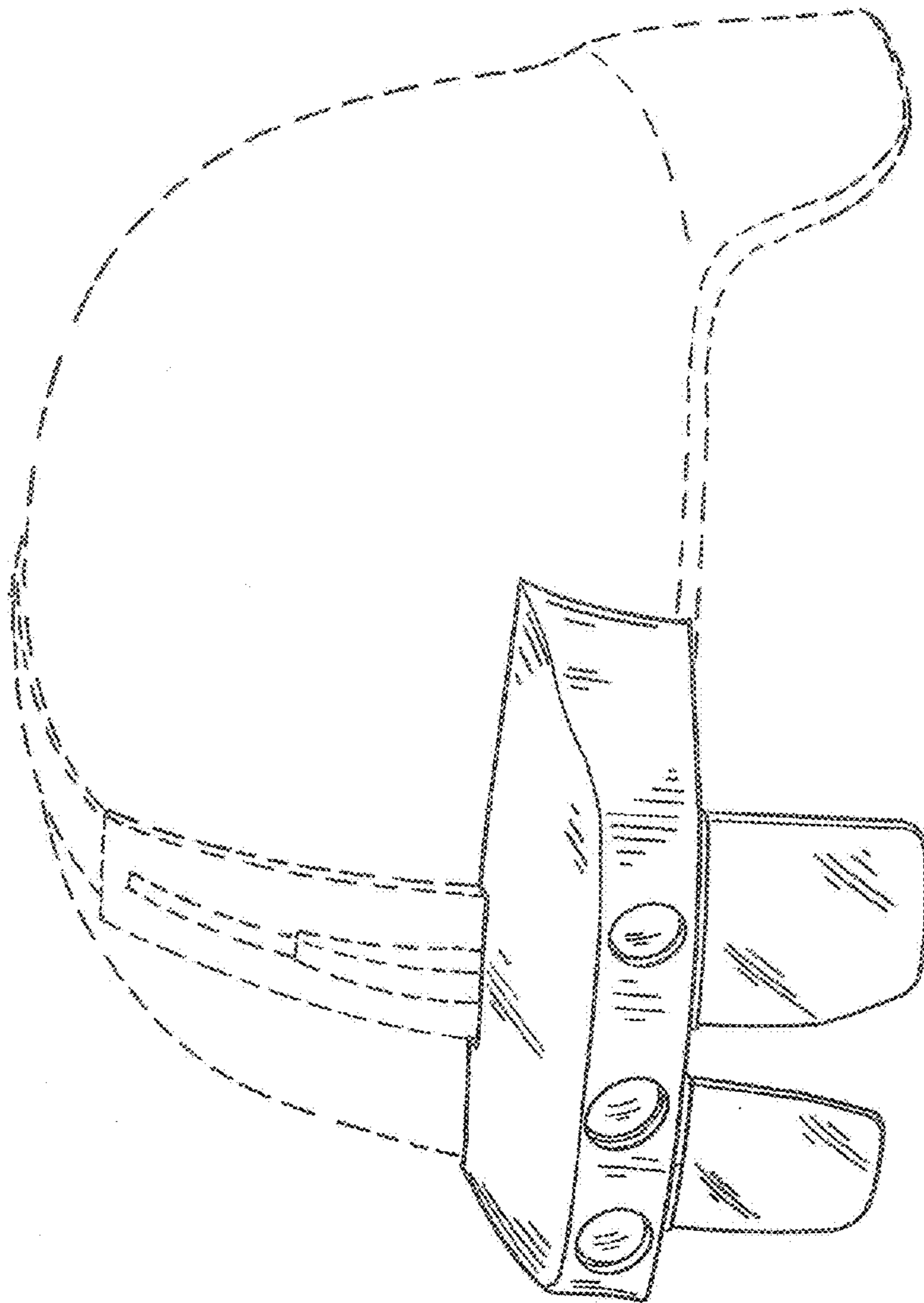


FIG. 1

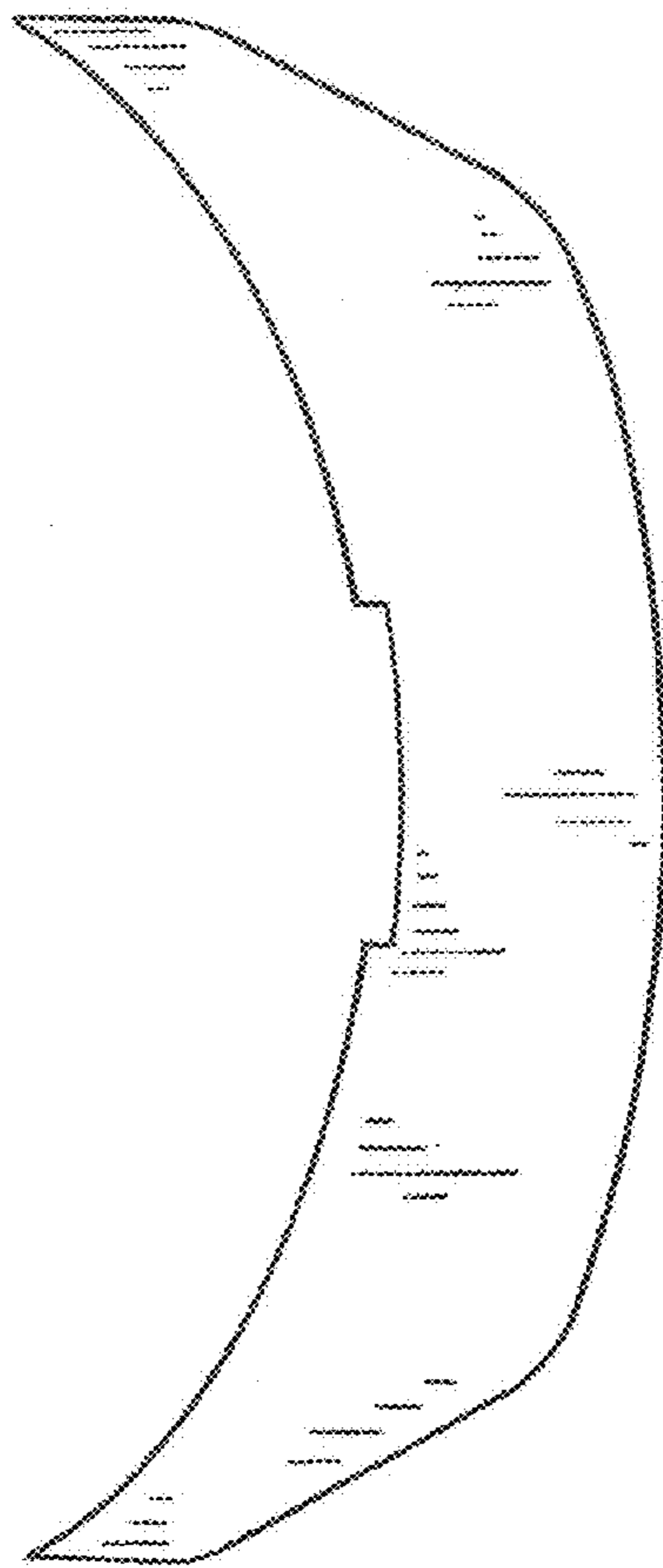


FIG. 2

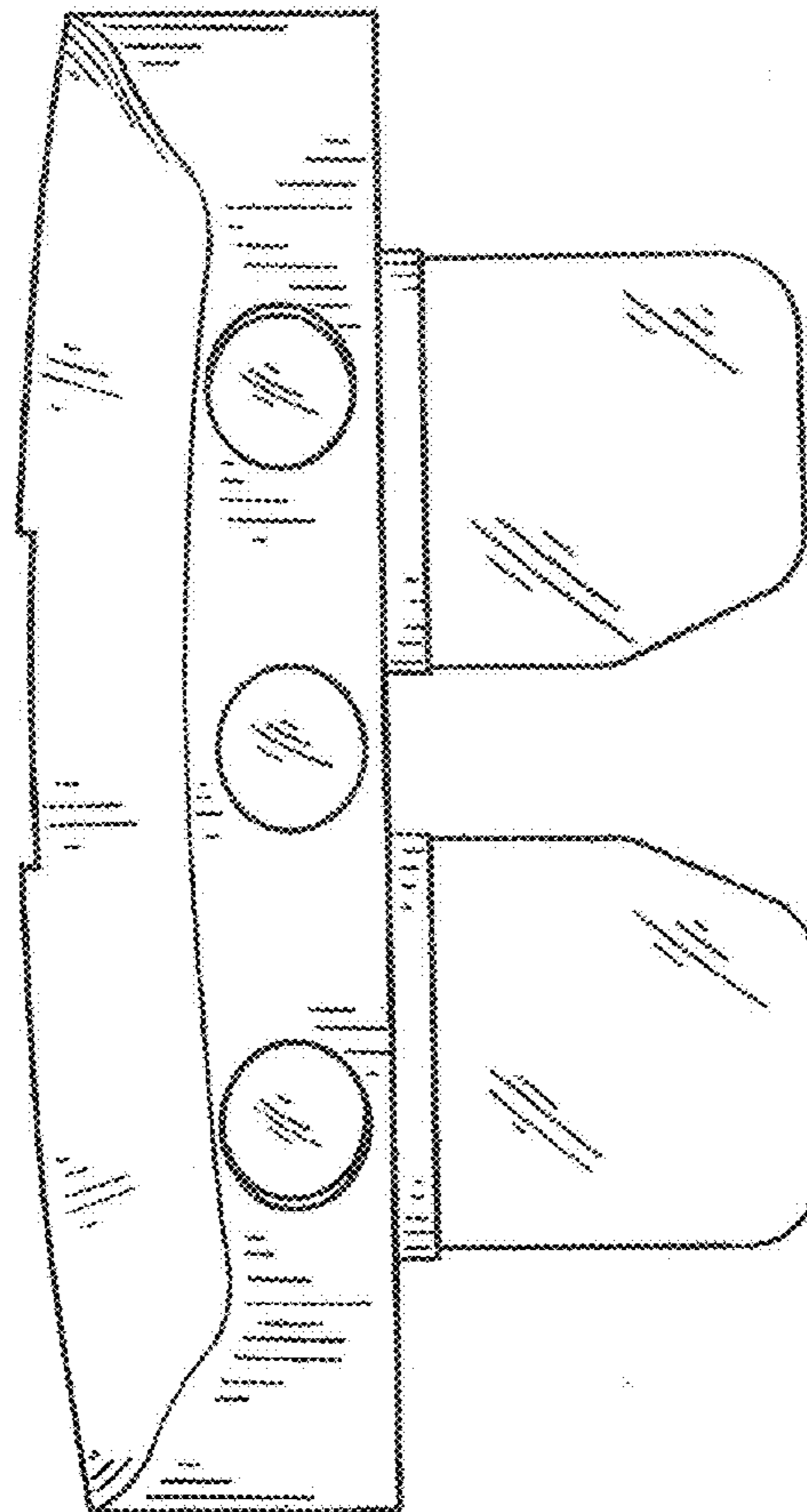


FIG. 3

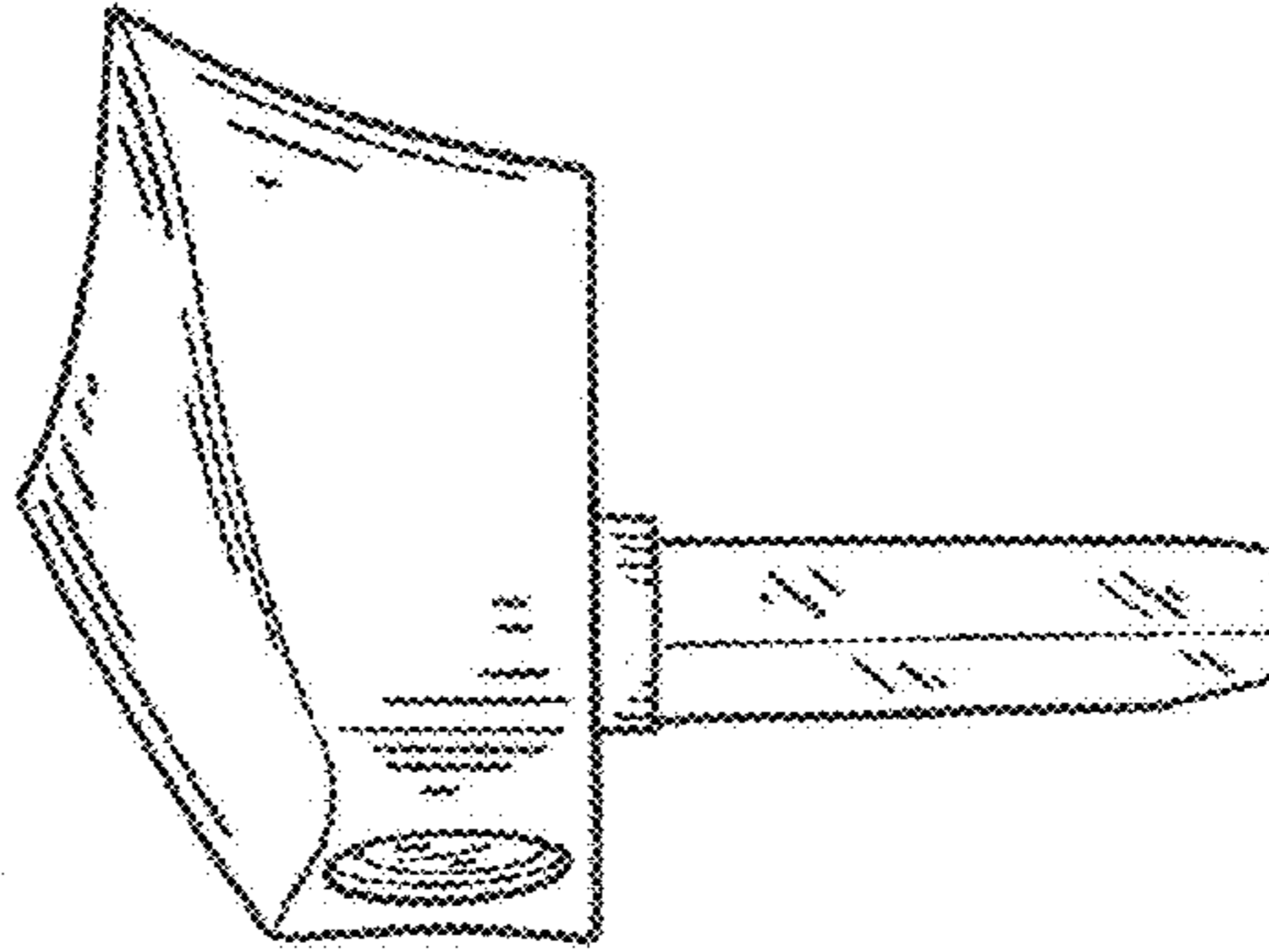


FIG. 4

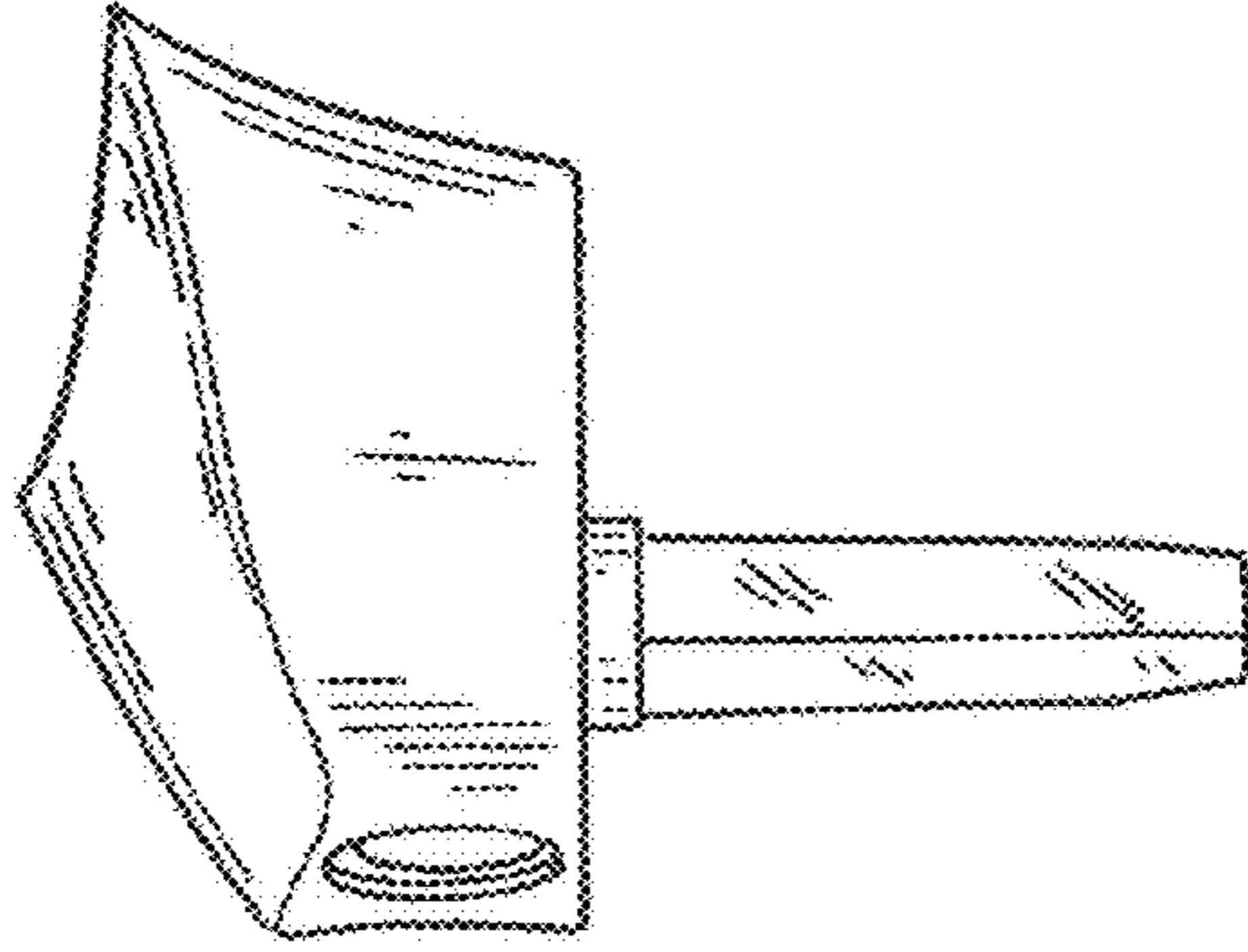


FIG. 6

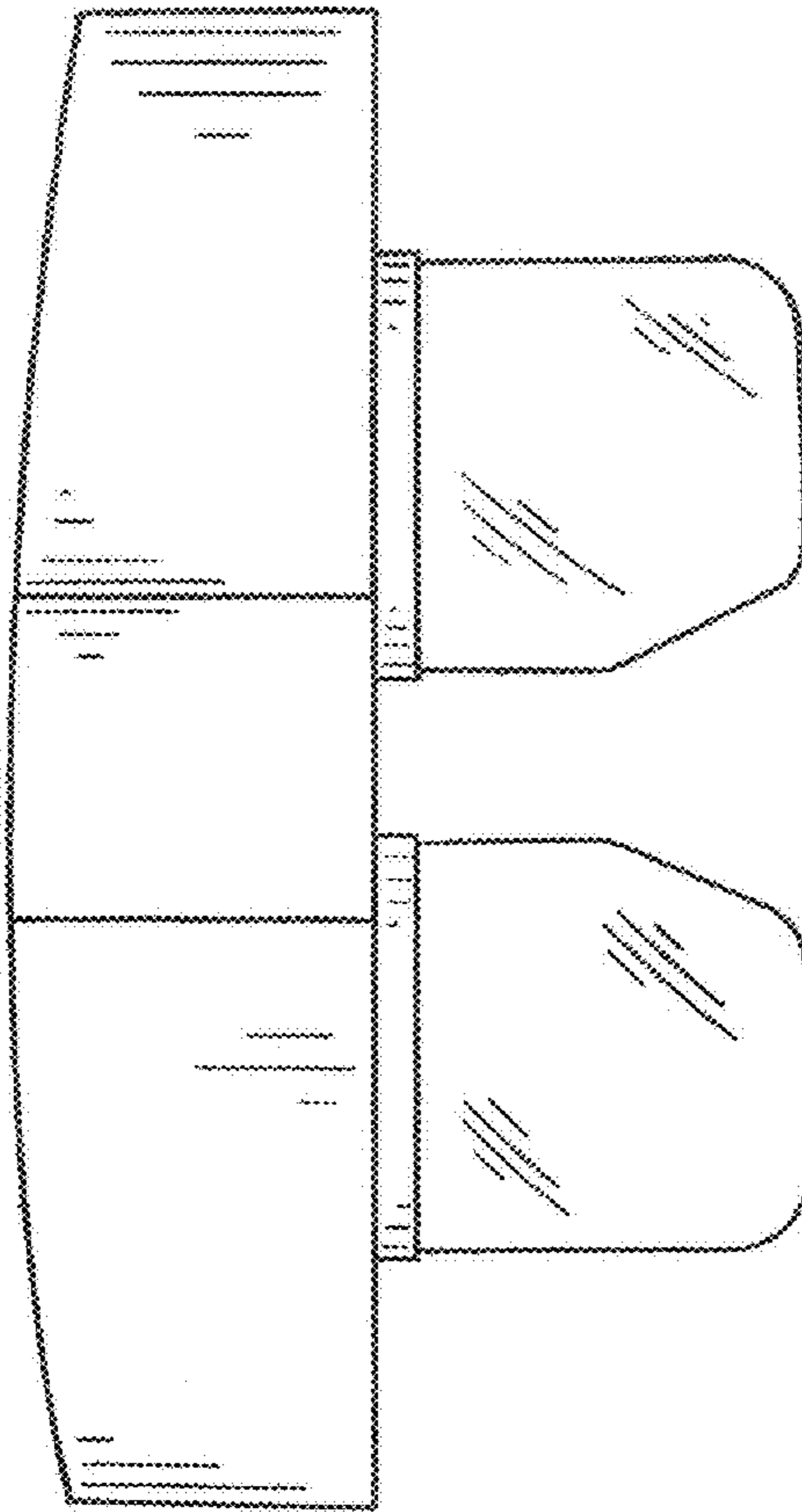


FIG. 5

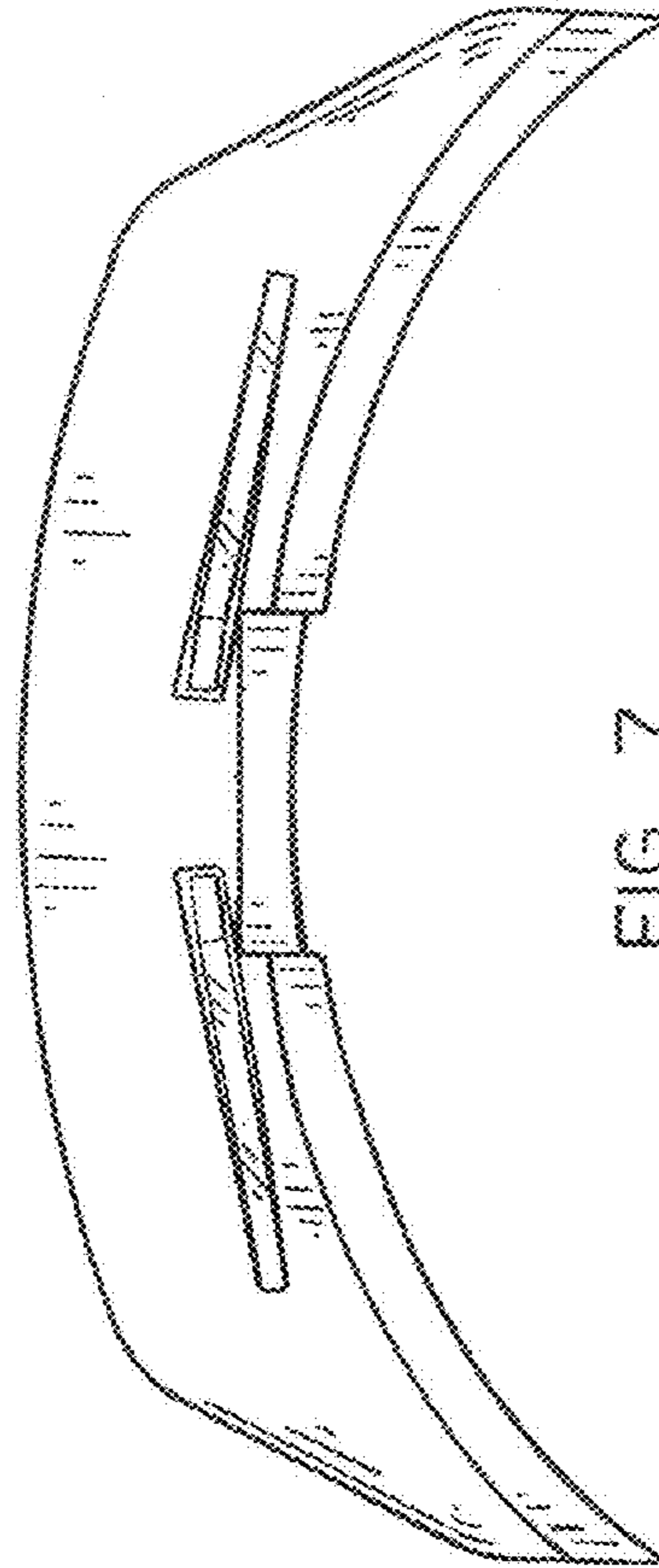


FIG. 7