



US00D711948S

(12) **United States Design Patent**
Son et al.

(10) **Patent No.:** **US D711,948 S**

(45) **Date of Patent:** **** Aug. 26, 2014**

(54) **NUMERICAL CONTROL MACHINE CENTER**

(71) Applicant: **Doosan Infracore Co., Ltd.**, Incheon (KR)

(72) Inventors: **Hee Dong Son**, Gyeongsangnam-do (KR); **Bo Kyoung Jo**, Gyeongsangnam-do (KR); **Jin Hyoung Park**, Gyeongsangnam-do (KR)

(73) Assignee: **Doosan Infracore Co., Ltd.**, Incheon (KR)

(**) Term: **14 Years**

(21) Appl. No.: **29/454,764**

(22) Filed: **May 14, 2013**

(51) **LOC (10) Cl.** **15-09**

(52) **U.S. Cl.**
USPC **D15/199**

(58) **Field of Classification Search**
USPC D15/122, 127, 130, 131; 74/608;
82/117, 118, 133, 134, 138, 149, 152;
198/860.3; 210/400; 714/48
See application file for complete search history.

(56) **References Cited**

U.S. PATENT DOCUMENTS

5,127,291	A	*	7/1992	Lothammer	82/120
D331,066	S	*	11/1992	Englert	D15/122
D368,917	S	*	4/1996	Isshiki et al.	D15/130
D445,807	S	*	7/2001	Baulk	D15/127
D496,947	S	*	10/2004	Baulk	D15/130
D604,344	S	*	11/2009	Weingart et al.	D15/127

D625,744	S	*	10/2010	Wang	D15/127
D638,449	S	*	5/2011	Schindler et al.	D15/122
D654,099	S	*	2/2012	Schindler et al.	D15/122
D667,032	S	*	9/2012	Egami	D15/122
D681,699	S	*	5/2013	Lin	D15/122
D686,261	S	*	7/2013	Sunter et al.	D15/145
D690,331	S	*	9/2013	Kitamura	D15/122

* cited by examiner

Primary Examiner — Patricia Palasik

(74) *Attorney, Agent, or Firm* — John D. Veldhuis-Kroeze; Westman, Champlin & Koehler, P.A.

(57) **CLAIM**

The ornamental design for a numerical control machine center, as shown and described.

DESCRIPTION

FIG. 1 is a perspective view of a numerical control machine center showing our new design.

FIG. 2 is a front elevational view of the numerical control machine center.

FIG. 3 is a rear elevational view of the numerical control machine center.

FIG. 4 is a left side view of the numerical control machine center.

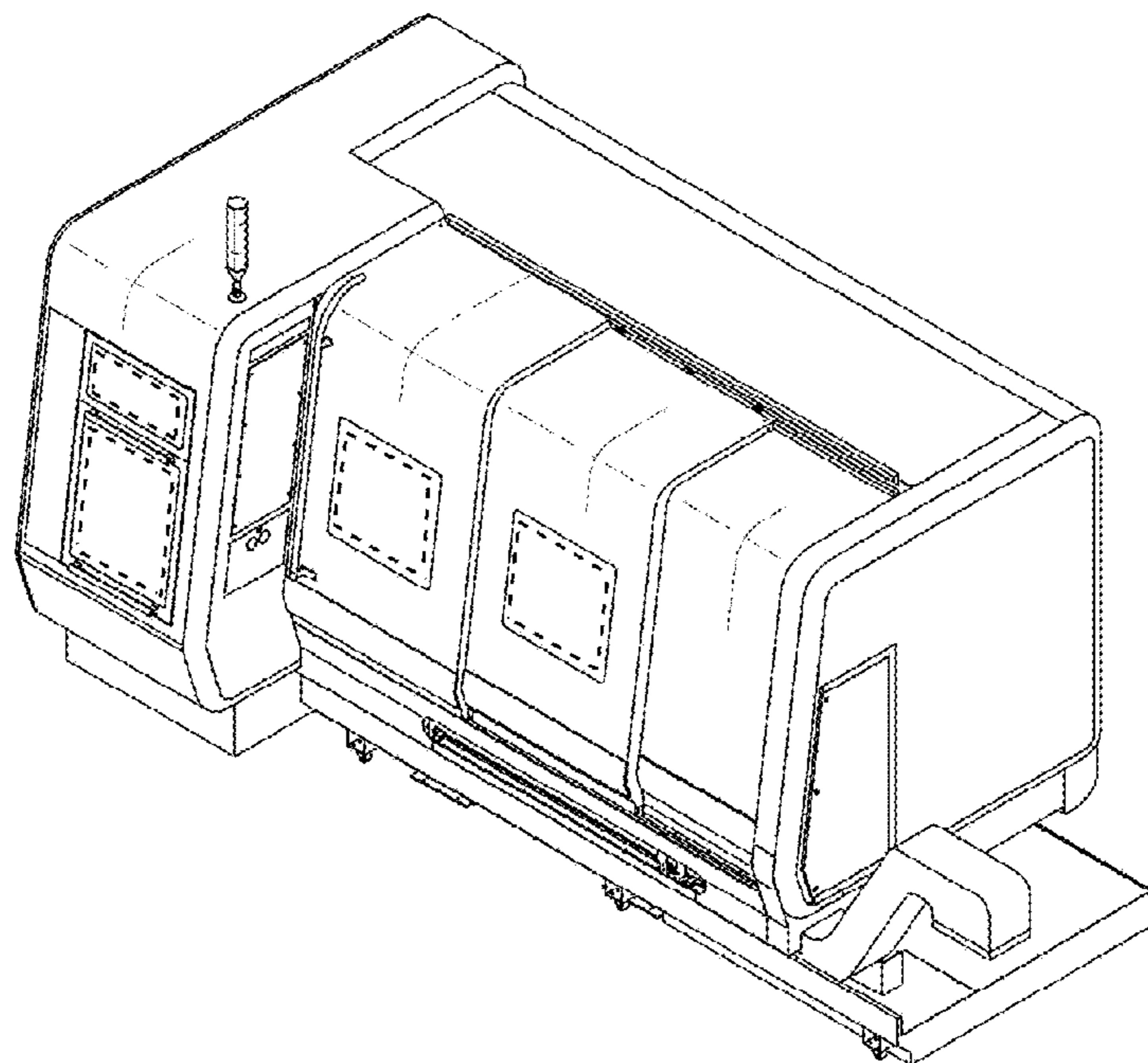
FIG. 5 is a right side view of the numerical control machine center; and,

FIG. 6 is a top plan view of the numerical control machine center.

The numerical control machine center of the present design is a large-sized heavy item, and the bottom view forms no part of the claimed design and is therefore omitted.

The broken lines in the drawings depict unclaimed environmental subject matter.

1 Claim, 3 Drawing Sheets



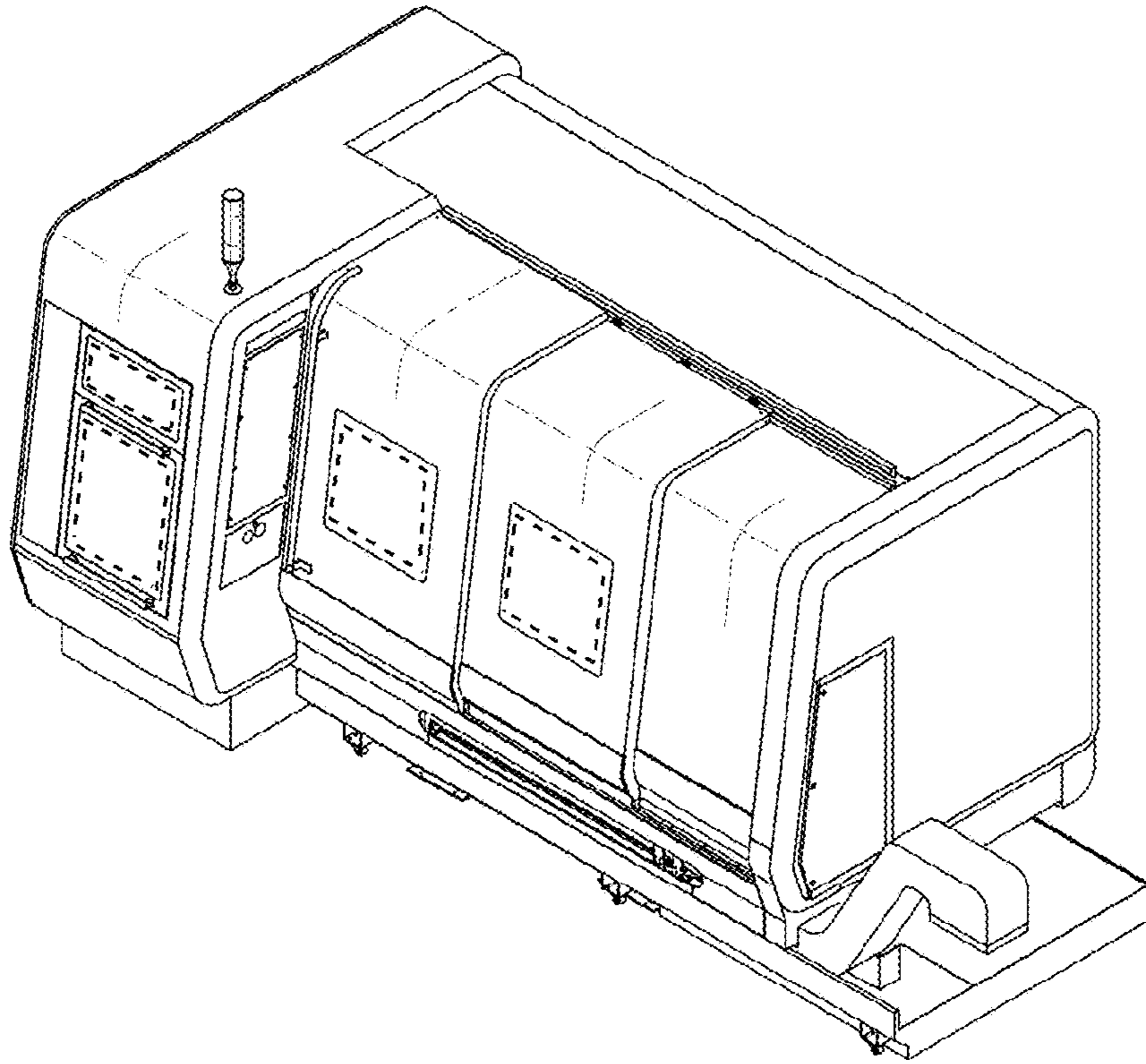


Fig. 1

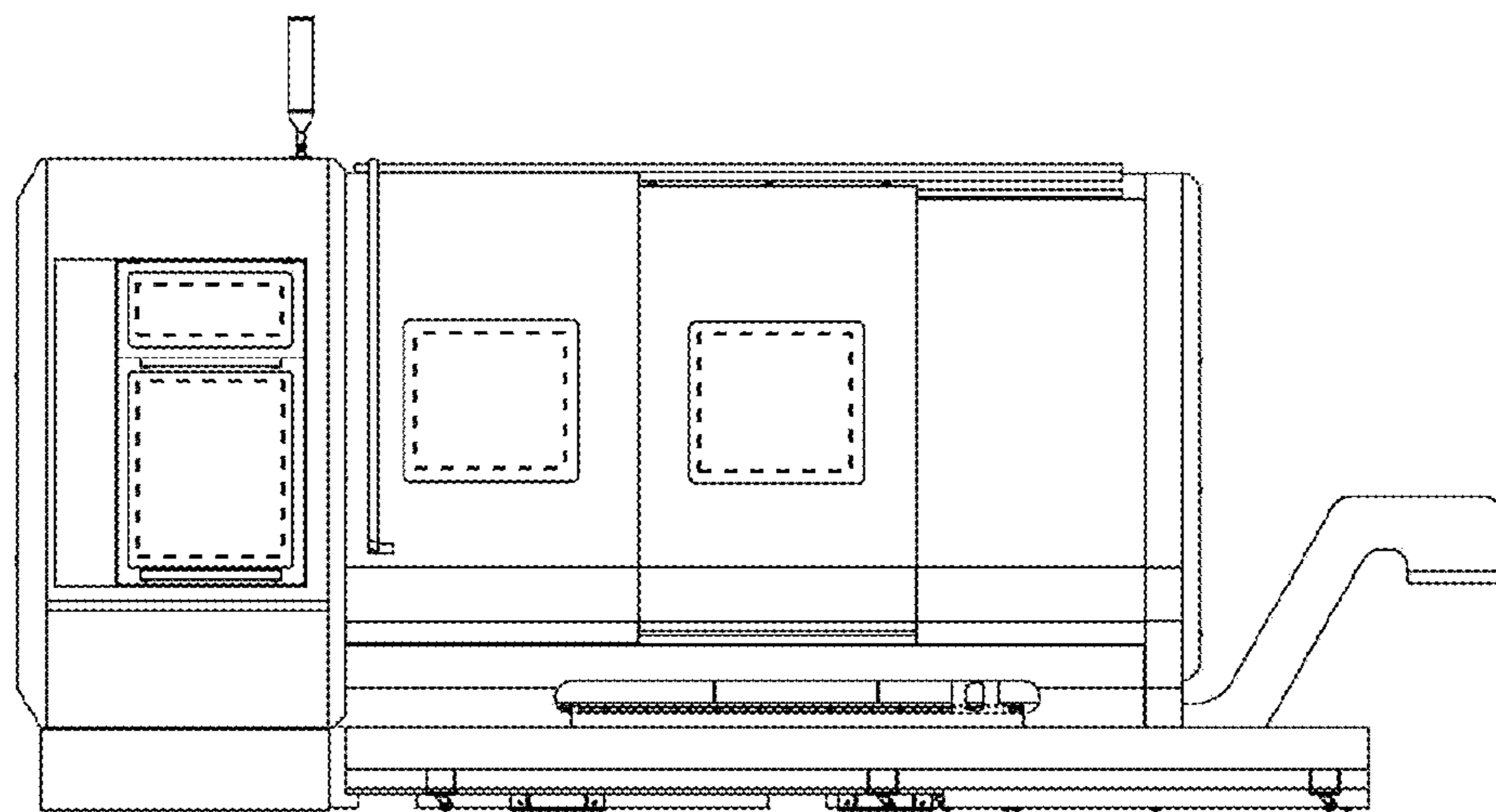


Fig. 2

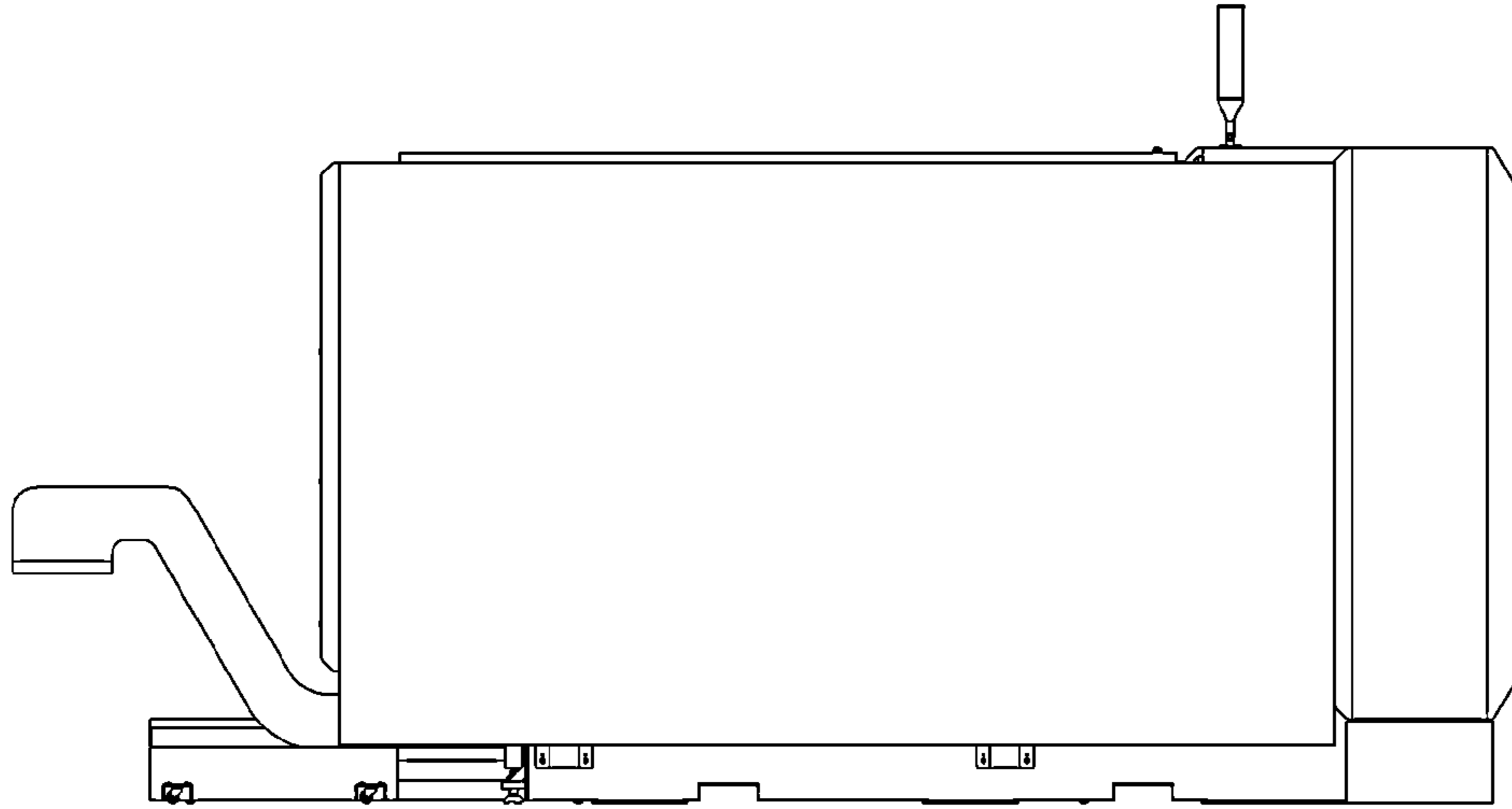


Fig. 3

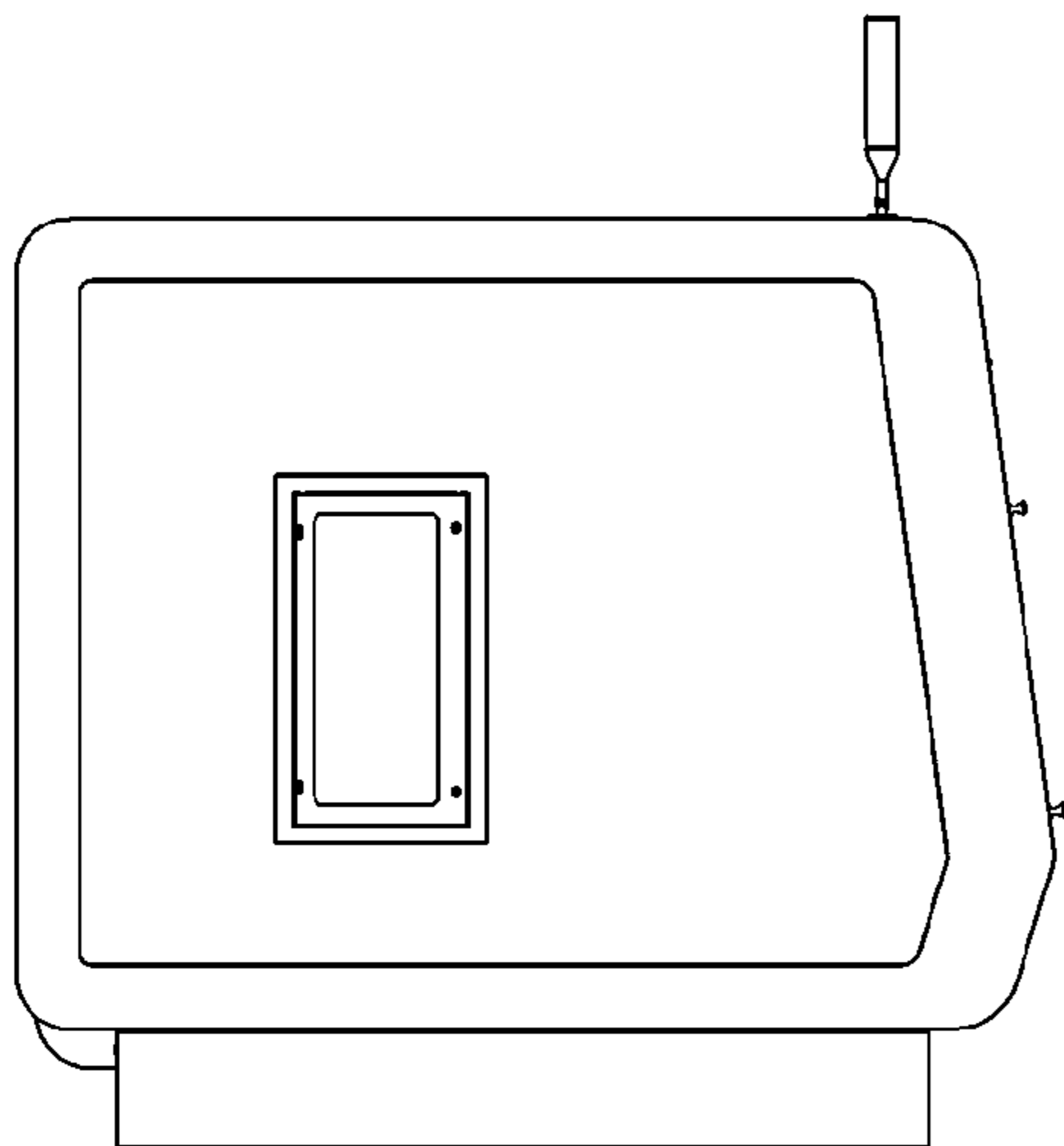


Fig. 4

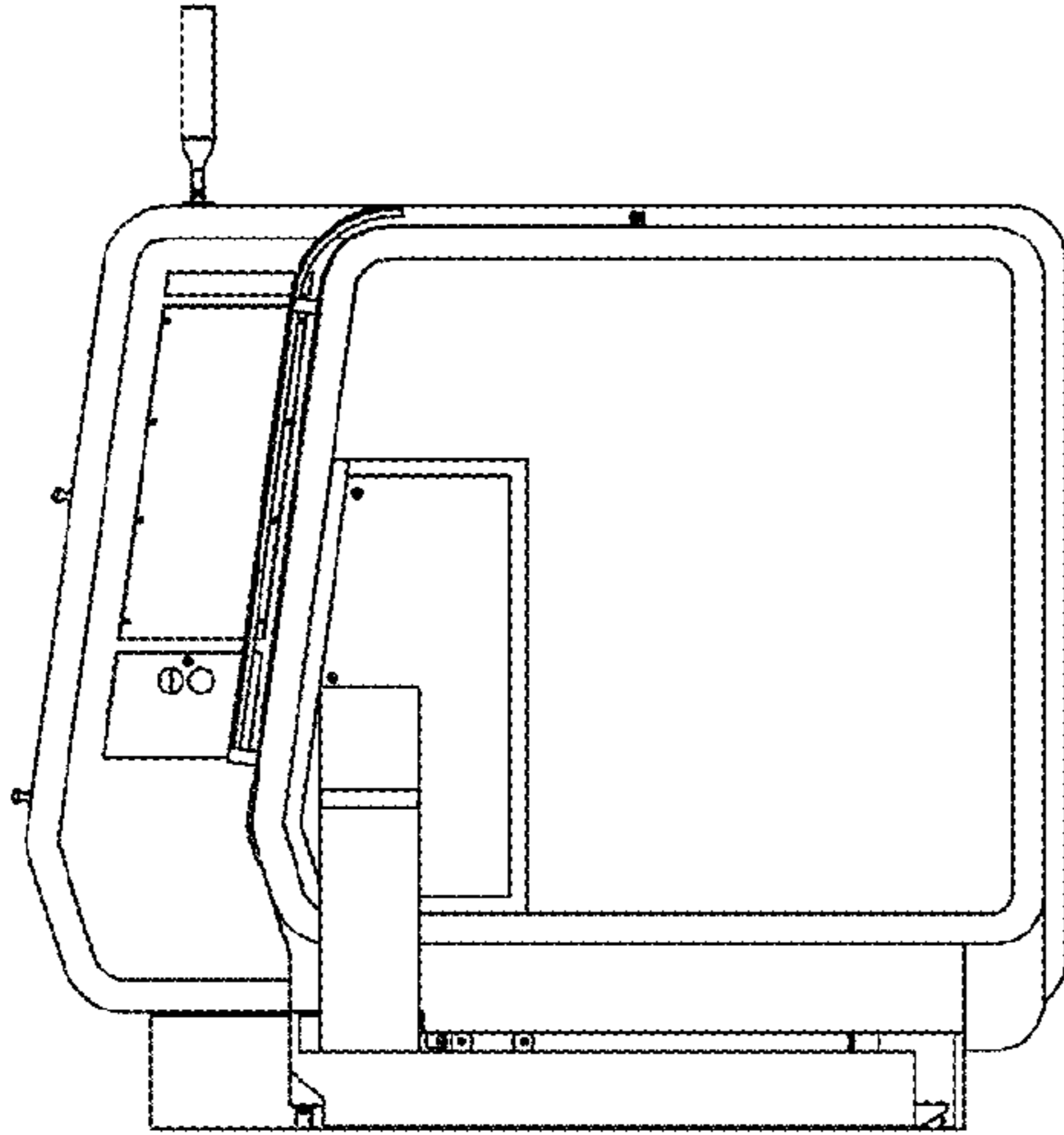


Fig. 5

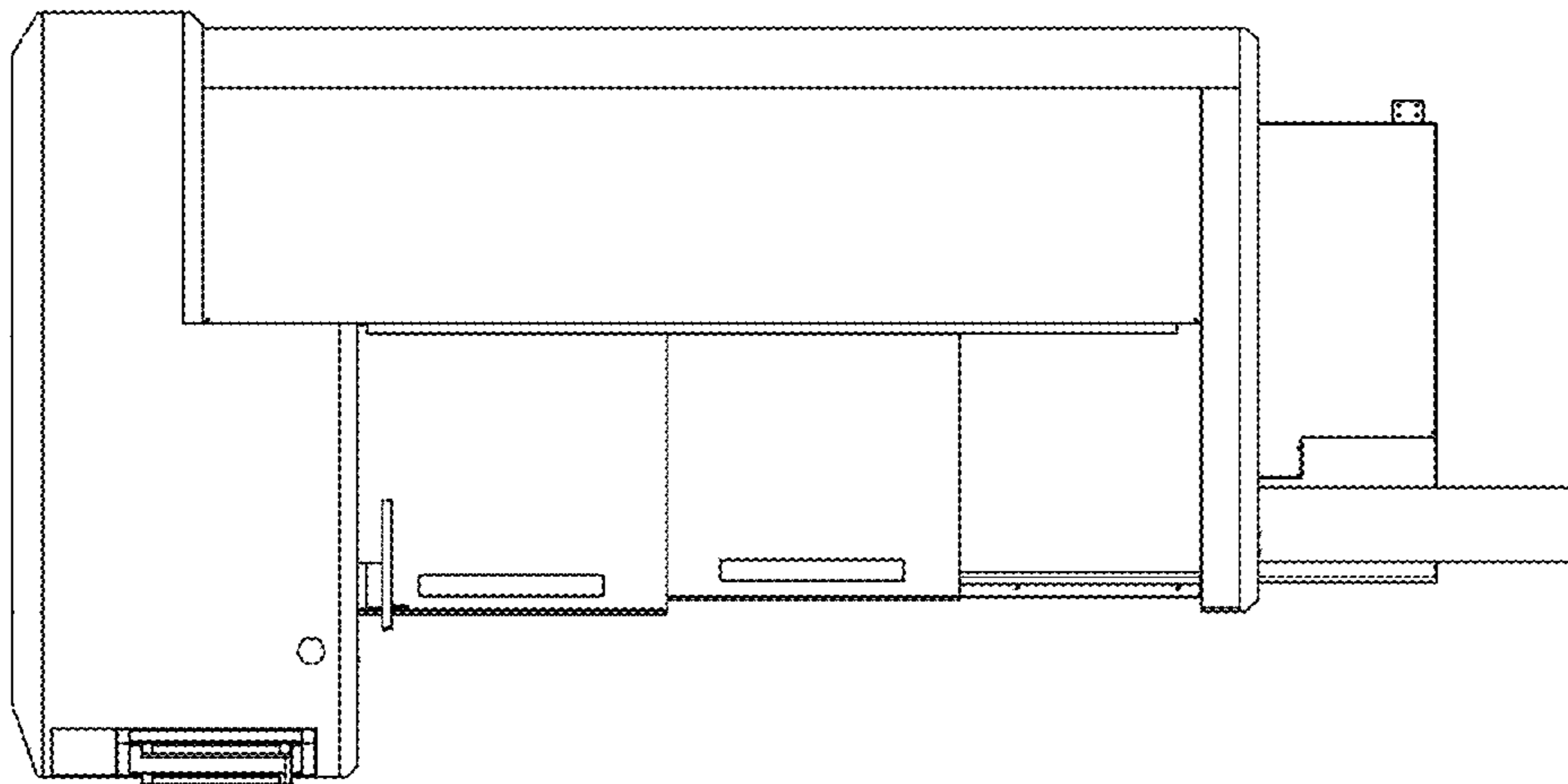


Fig. 6