



US00D711947S

(12) **United States Design Patent**
Son et al.

(10) **Patent No.:** **US D711,947 S**
(45) **Date of Patent:** **** Aug. 26, 2014**

(54) **MACHINE CENTER**
(71) Applicant: **Doosan Infracore Co., Ltd.**, Incheon (KR)
(72) Inventors: **Heedong Son**, Gyeongsangnam-do (KR); **Bokyoung Jo**, Gyeongsangnam-do (KR); **Jinhyoung Park**, Gyeongsangnam-do (KR)
(73) Assignee: **Doosan Infracore Co., Ltd.**, Incheon (KR)

(**) Term: **14 Years**

(21) Appl. No.: **29/454,761**

(22) Filed: **May 14, 2013**

(30) **Foreign Application Priority Data**
Nov. 15, 2012 (KR) 30-2012-0054627

(51) **LOC (10) Cl.** **15-09**

(52) **U.S. Cl.**
USPC **D15/199**

(58) **Field of Classification Search**
USPC D15/122, 127, 130, 131; 74/608; 82/117, 118, 133, 134, 138, 149, 152; 198/860.3; 210/400; 714/48
See application file for complete search history.

(56) **References Cited**
U.S. PATENT DOCUMENTS

5,127,291 A * 7/1992 Lothammer 82/120
D331,066 S * 11/1992 Englert D15/122

D368,917 S * 4/1996 Isshiki et al. D15/130
D445,807 S * 7/2001 Baulk D15/127
D496,947 S * 10/2004 Baulk D15/130
D604,344 S * 11/2009 Weingart et al. D15/127
D625,744 S * 10/2010 Wang D15/127
D638,449 S * 5/2011 Schindler et al. D15/122
D654,099 S * 2/2012 Schindler et al. D15/122
D667,032 S * 9/2012 Egami D15/122
D681,699 S * 5/2013 Lin D15/122
D686,261 S * 7/2013 Sunter et al. D15/145
D690,331 S * 9/2013 Kitamura D15/122

* cited by examiner

Primary Examiner — Patricia Palasik
(74) *Attorney, Agent, or Firm* — John D. Veldhuis-Kroeze; Westman, Champlin & Koehler, P.A.

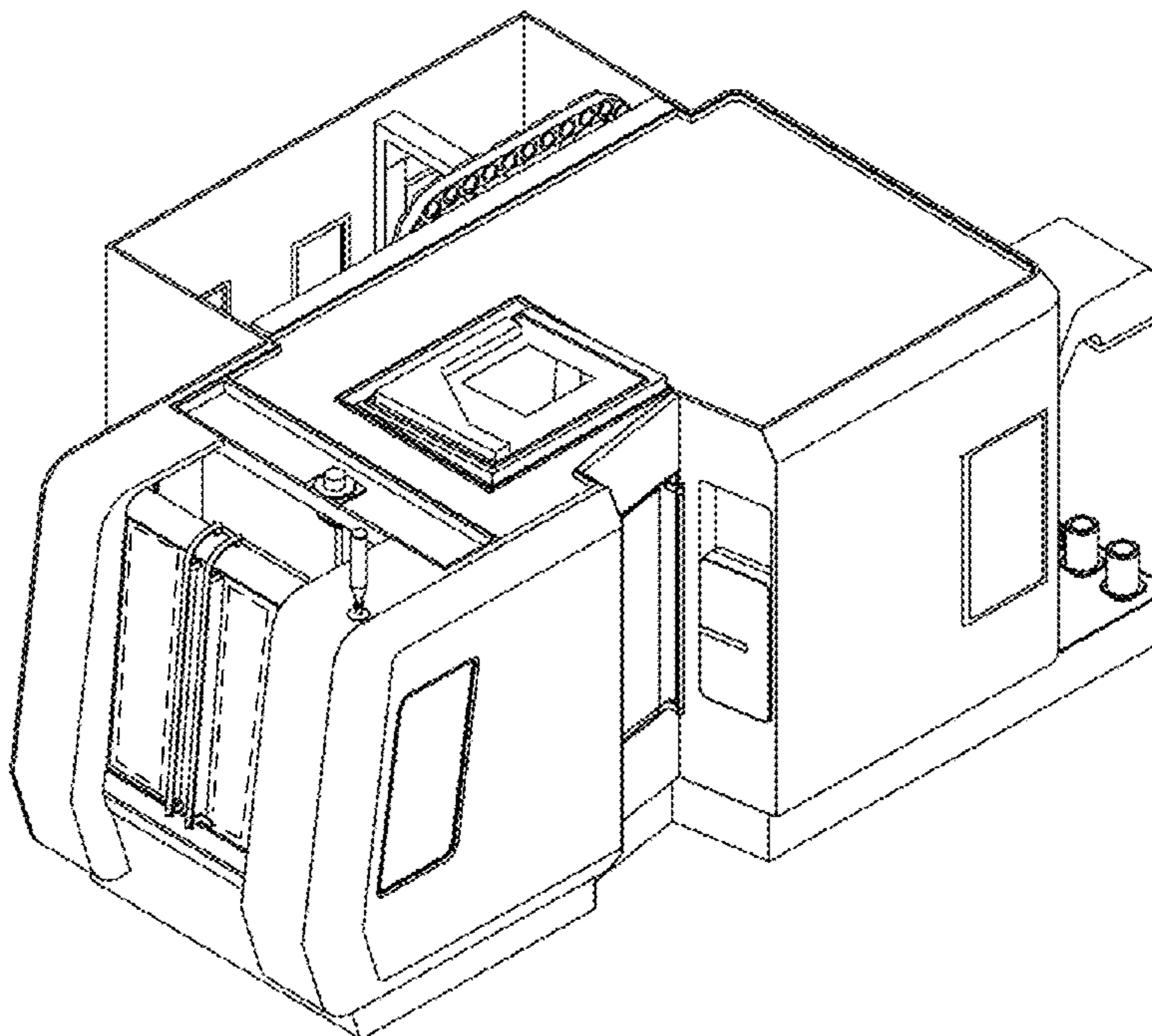
(57) **CLAIM**

The ornamental design for a machine center, as shown and described.

DESCRIPTION

FIG. 1 is a perspective view of a machine center showing our new design.
FIG. 2 is a front elevational view of the machine center.
FIG. 3 is a rear elevational view of the machine center.
FIG. 4 is a left side view of the machine center.
FIG. 5 is a right side view of the machine center.
FIG. 6 is a top view of the machine center; and,
FIG. 7 is rear perspective view of the machine center.
The broken lines are included for purposes of illustration and form no part of the claimed design.

1 Claim, 4 Drawing Sheets



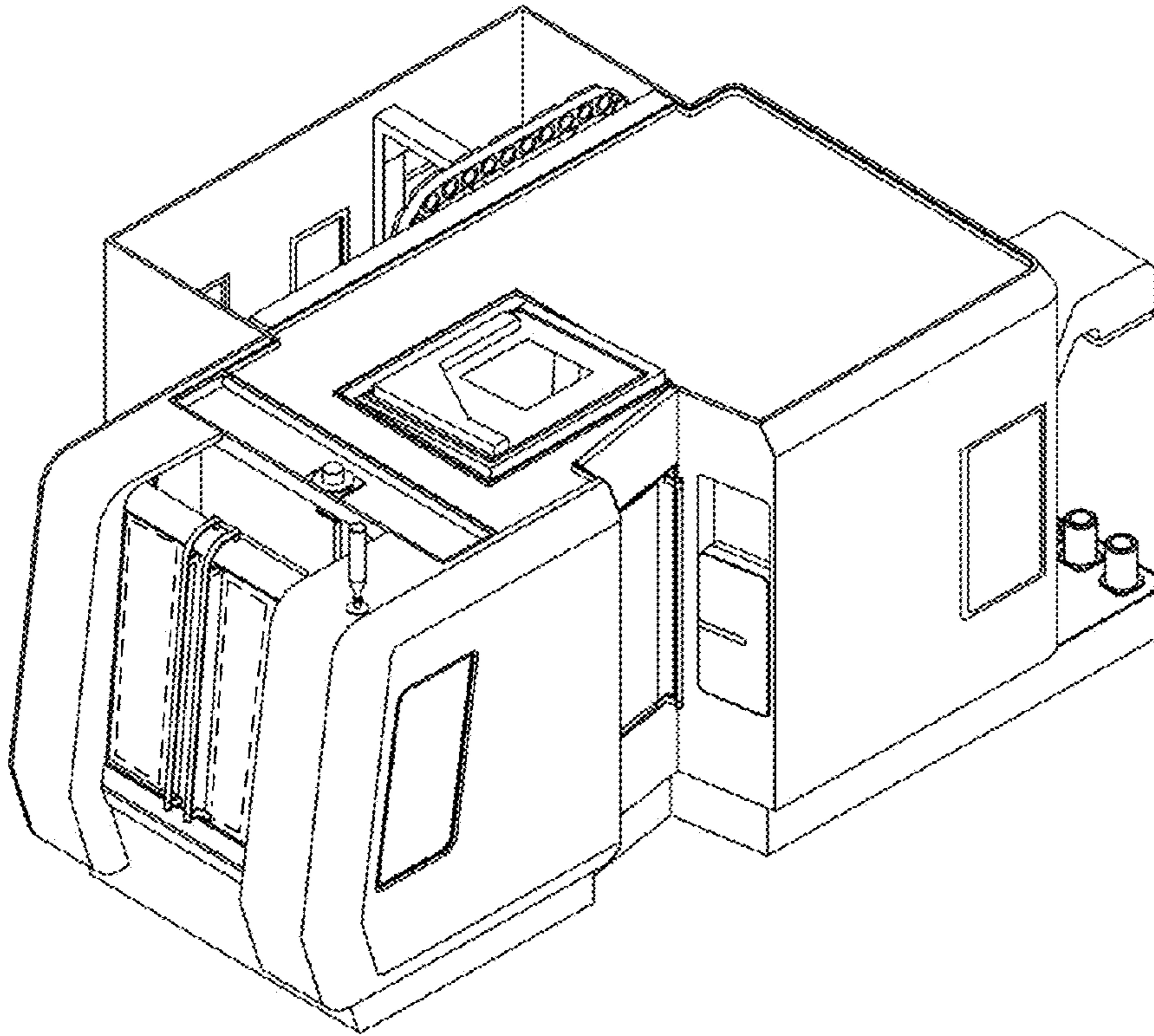


Fig. 1

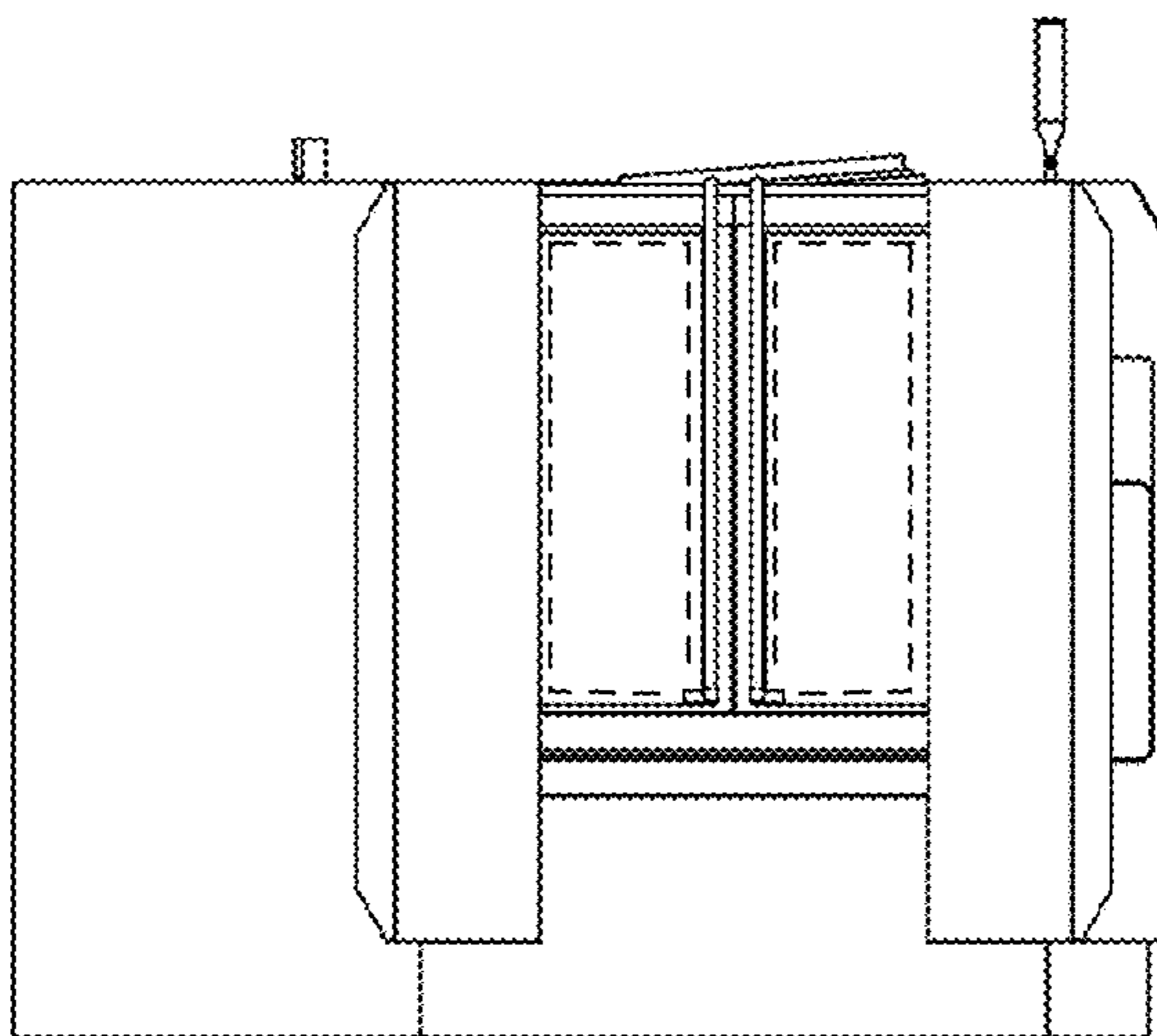


Fig. 2

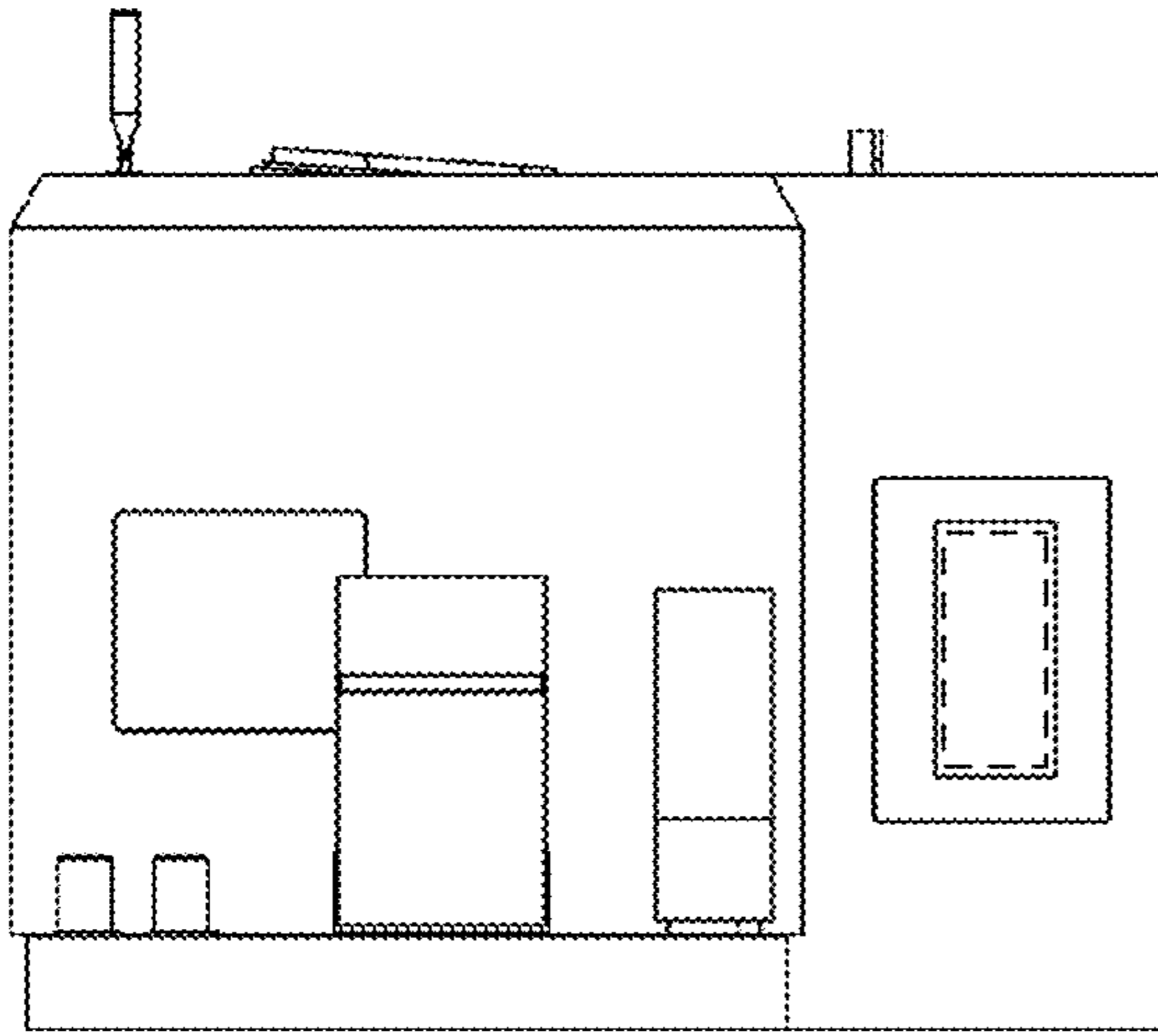


Fig. 3

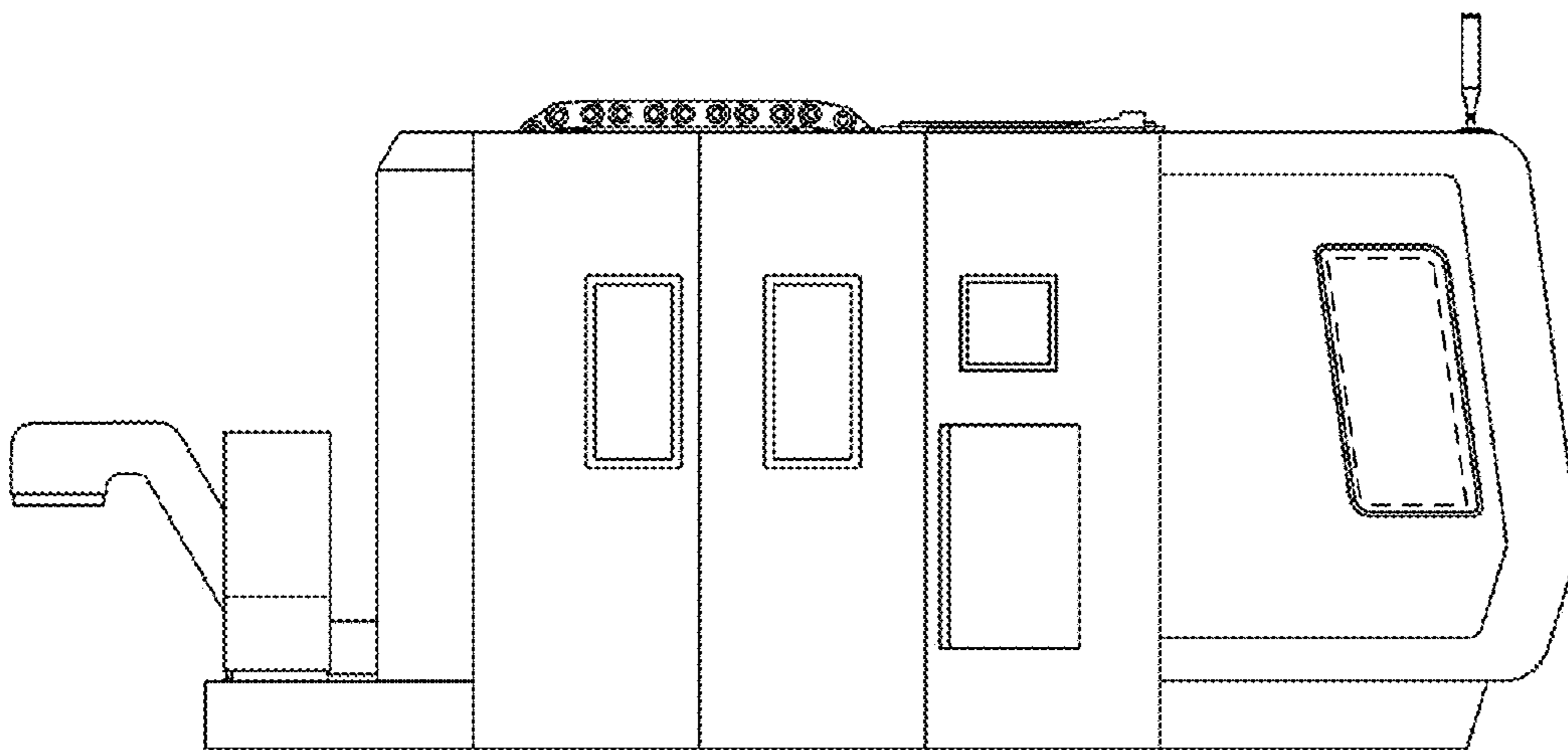


Fig. 4

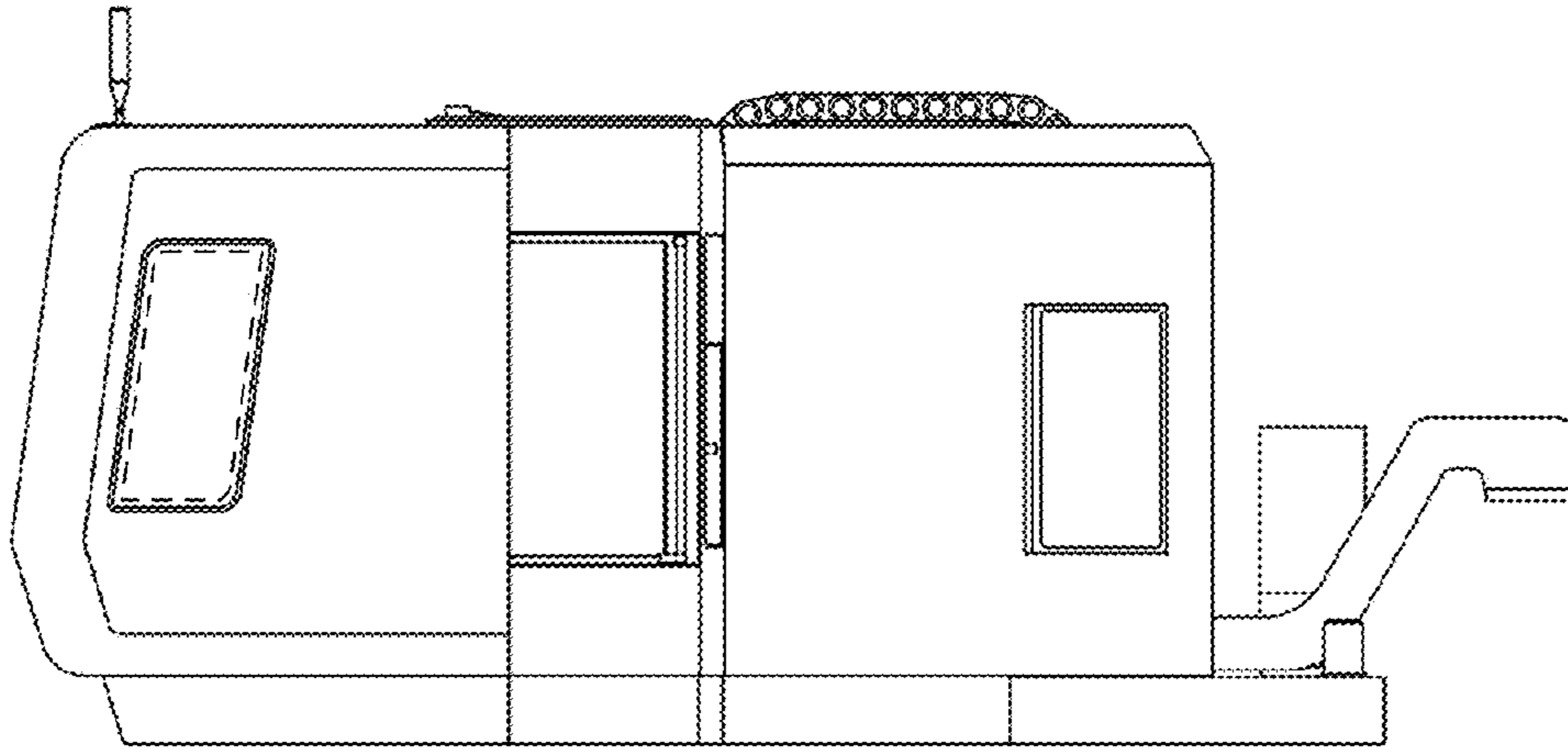


Fig. 5

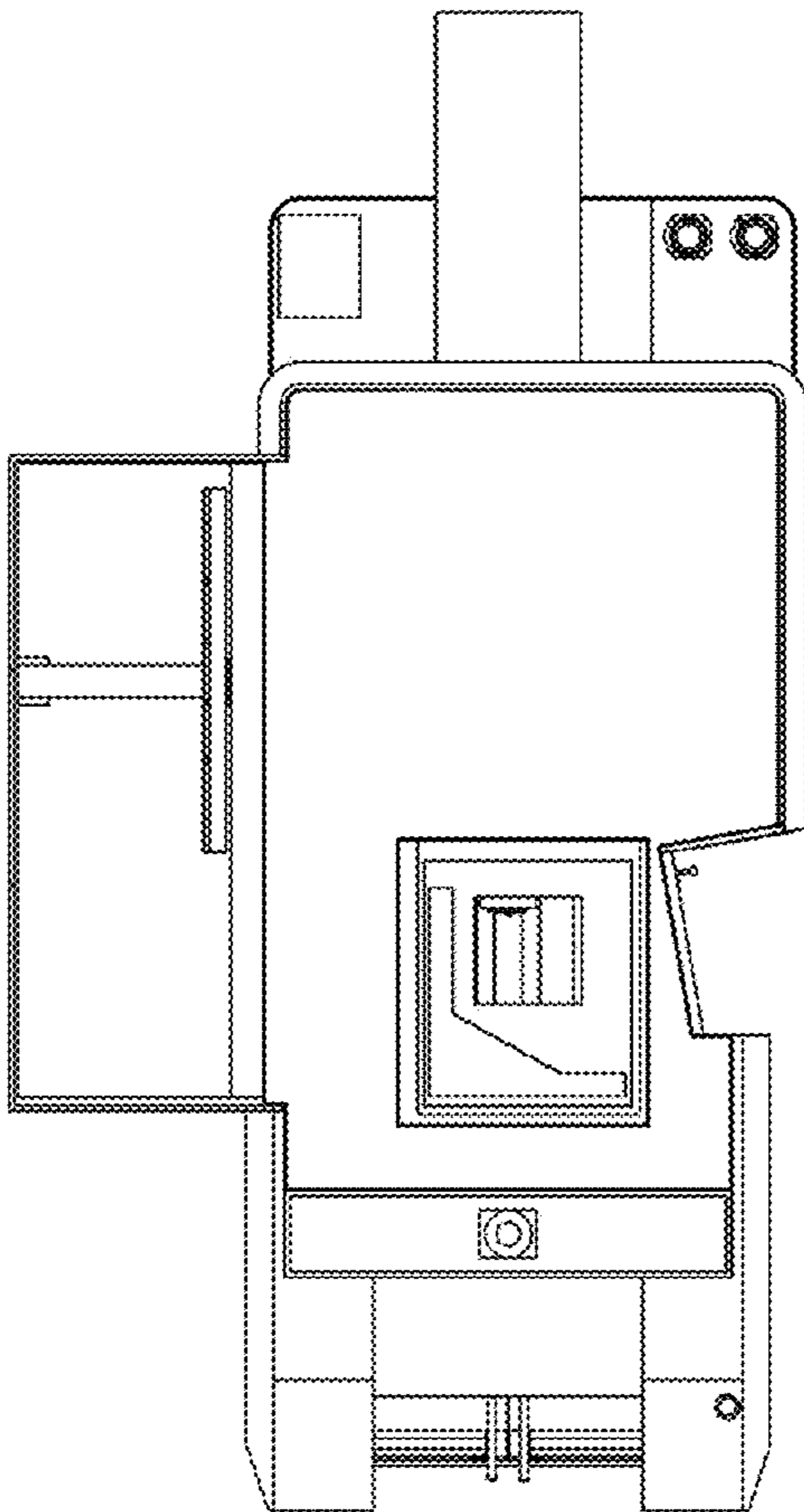


Fig. 6

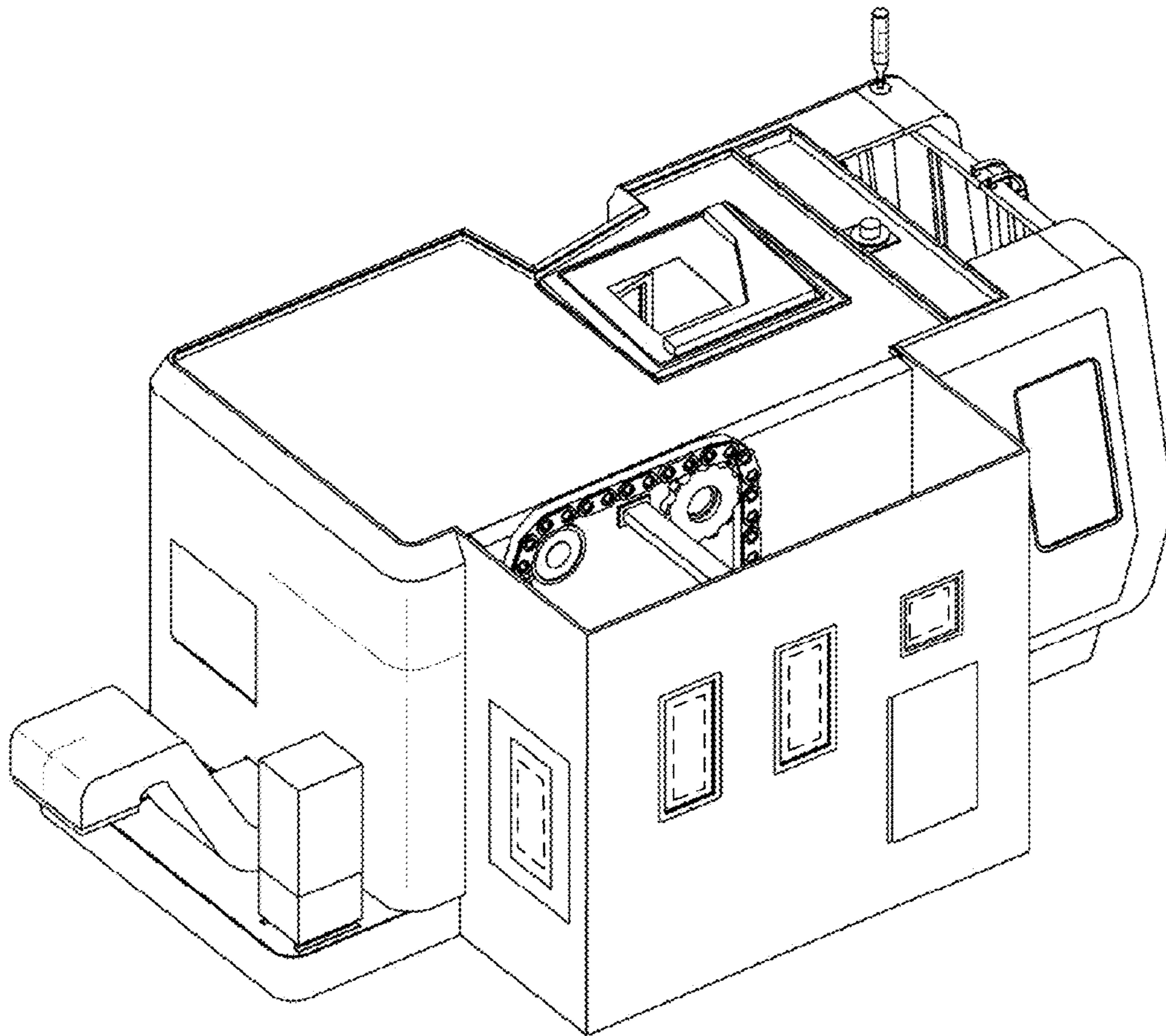


Fig. 7