



US00D711946S

(12) **United States Design Patent**  
**Raboin et al.**

(10) **Patent No.:** **US D711,946 S**

(45) **Date of Patent:** **\*\* Aug. 26, 2014**

(54) **TORCH**

(71) Applicants: **Ronald K. Raboin**, DePere, WI (US);  
**Jody A. McKinley**, Mount Vernon, OH (US)

(72) Inventors: **Ronald K. Raboin**, DePere, WI (US);  
**Jody A. McKinley**, Mount Vernon, OH (US)

(73) Assignee: **Worthington Cylinder Corporation**,  
Columbus, OH (US)

(\*\*) Term: **14 Years**

(21) Appl. No.: **29/484,566**

(22) Filed: **Mar. 11, 2014**

(51) **LOC (10) Cl.** ..... **15-09**

(52) **U.S. Cl.**  
USPC ..... **D15/144.2; D8/30**

(58) **Field of Classification Search**  
USPC ..... D8/29.1, 29.2, 30, 54; D15/144, 144.1,  
D15/144.2; 219/70, 138, 139, 140, 141,  
219/142, 143, 144; 431/153, 255, 266, 344,  
431/345, 353

See application file for complete search history.

(56) **References Cited**

U.S. PATENT DOCUMENTS

3,574,506 A \* 4/1971 Locke ..... 431/349  
D264,301 S \* 5/1982 Miller ..... D8/30  
D297,704 S \* 9/1988 Bulow ..... D15/144  
D329,971 S \* 10/1992 Pryor ..... D8/30  
D335,804 S \* 5/1993 Burgin ..... D8/30  
D343,629 S \* 1/1994 Bode ..... D15/144

D346,390 S \* 4/1994 Sperling et al. .... D15/144  
D382,500 S \* 8/1997 Johnson et al. .... D10/96  
D407,727 S \* 4/1999 Kunz ..... D15/144  
6,225,599 B1 \* 5/2001 Altekruze ..... 219/137.31  
D456,428 S \* 4/2002 Aronson et al. .... D15/144  
6,815,641 B2 \* 11/2004 Doherty ..... 219/137.31  
D514,606 S \* 2/2006 Picaza ..... D15/144.2  
D537,092 S \* 2/2007 Owens ..... D15/144  
7,244,909 B2 \* 7/2007 Kensrue et al. .... 219/137.31  
D555,446 S \* 11/2007 Picaza Ibarrodo ..... D8/30  
D578,849 S \* 10/2008 Whited et al. .... D8/30  
D587,975 S \* 3/2009 Aronson et al. .... D8/29.1  
D594,300 S \* 6/2009 Picaza Ibarrodo ..... D8/29.1  
D615,573 S \* 5/2010 Peters et al. .... D15/144  
2010/0012637 A1 \* 1/2010 Jaeger ..... 219/136  
2010/0261129 A1 \* 10/2010 Lin ..... 431/344

\* cited by examiner

*Primary Examiner* — Patricia Palasik

(74) *Attorney, Agent, or Firm* — Hasse & Nesbitt LLC; W. Charles Ehlers; Daniel F. Nesbitt

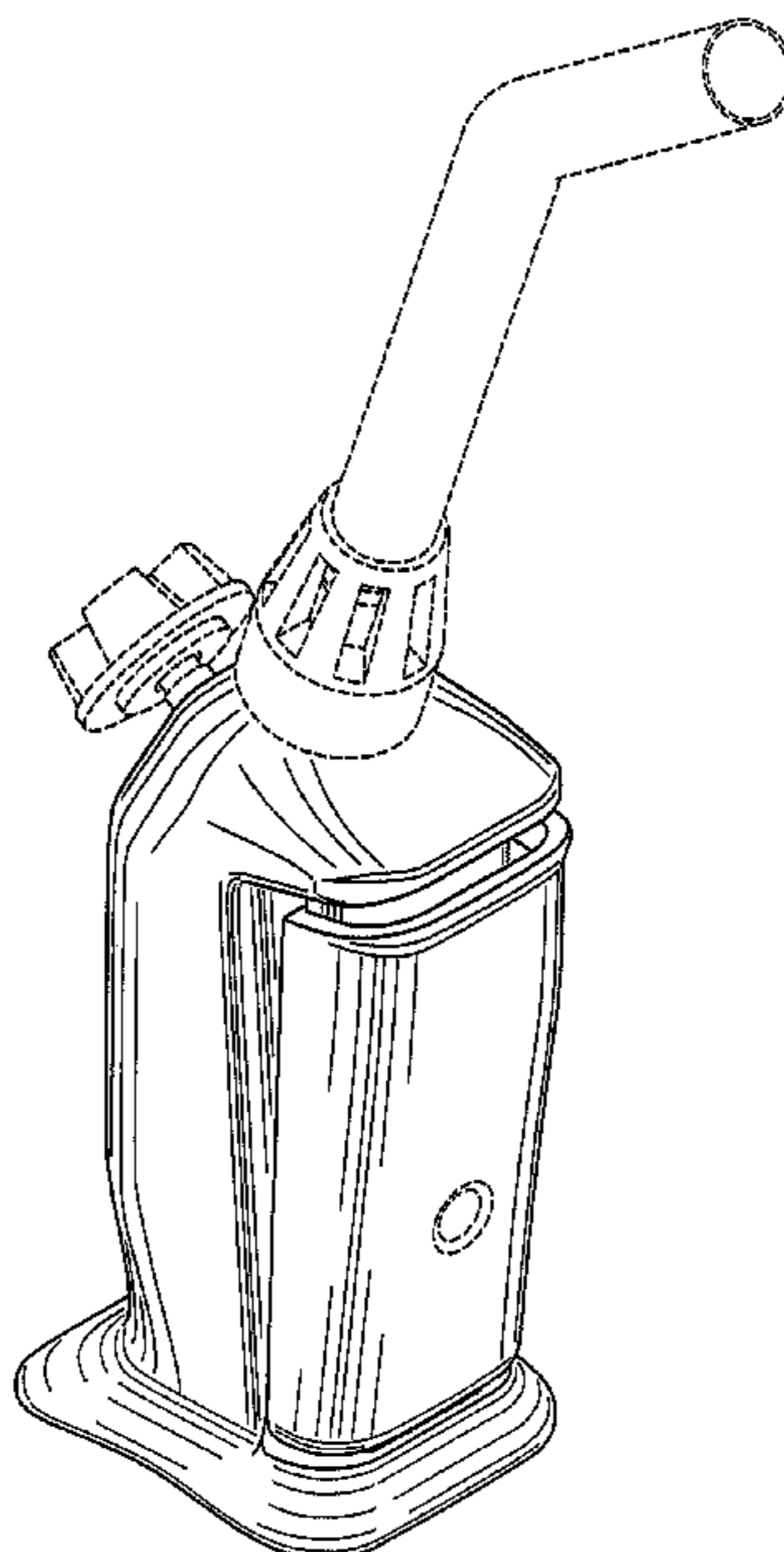
(57) **CLAIM**

I claim the ornamental design for a torch, as shown and described.

**DESCRIPTION**

FIG. 1 is a top perspective view of the torch;  
FIG. 2 is a front elevational view thereof;  
FIG. 3 is a back elevational view thereof;  
FIG. 4 is a left side elevational view thereof;  
FIG. 5 is a right side elevational view thereof;  
FIG. 6 is a top plan view thereof; and,  
FIG. 7 is a bottom plan view thereof.  
The broken lines shown in the drawings are for illustrative purposes only and foam no part of the claimed design.

**1 Claim, 5 Drawing Sheets**



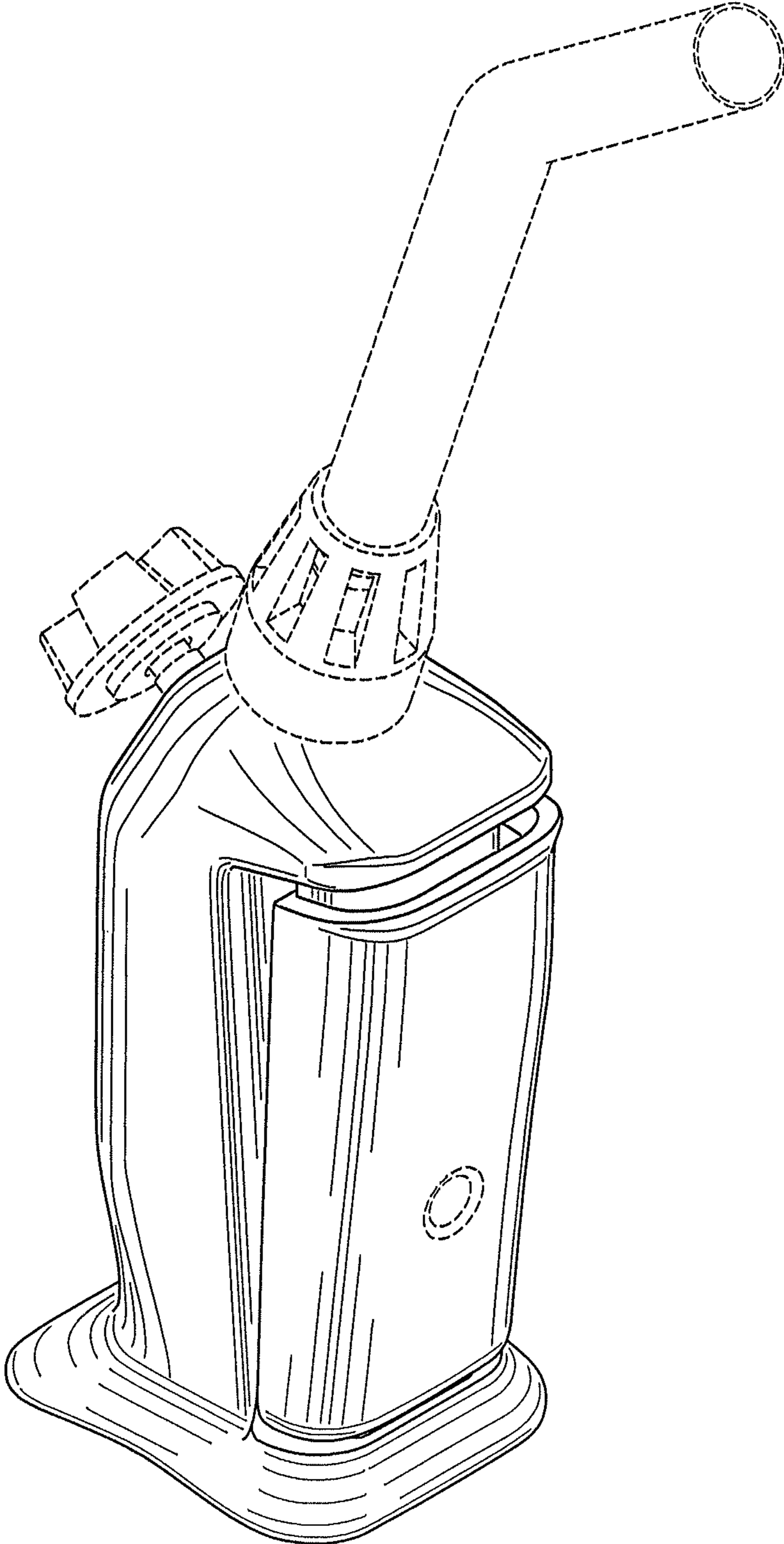


FIG. 1

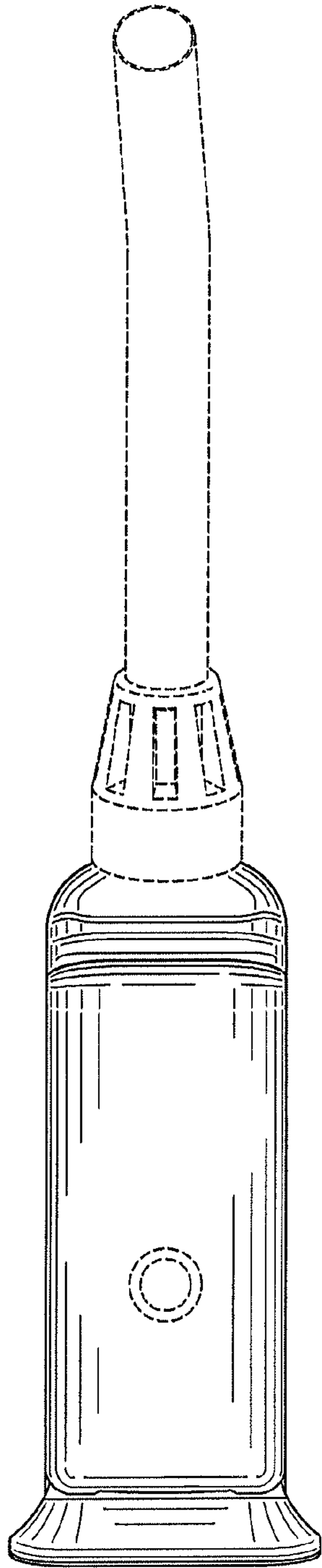


FIG. 2

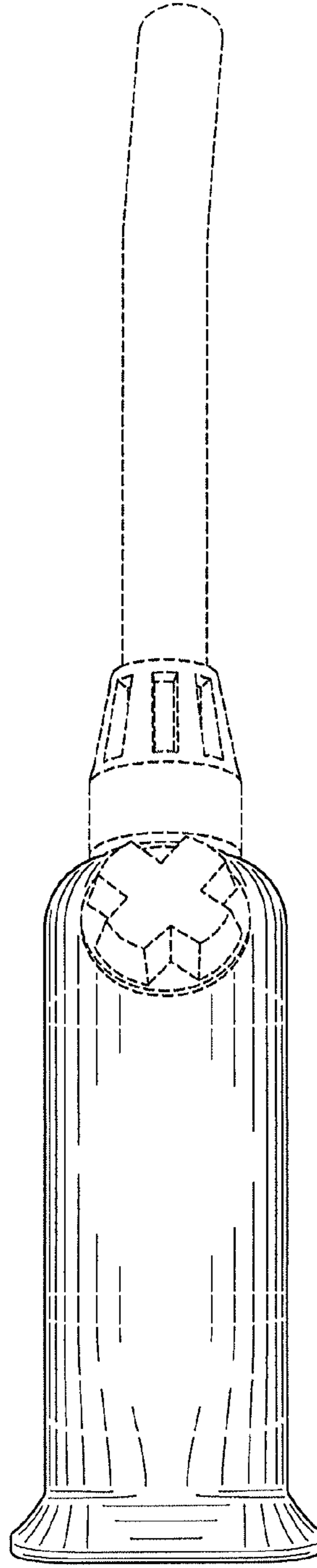


FIG. 3

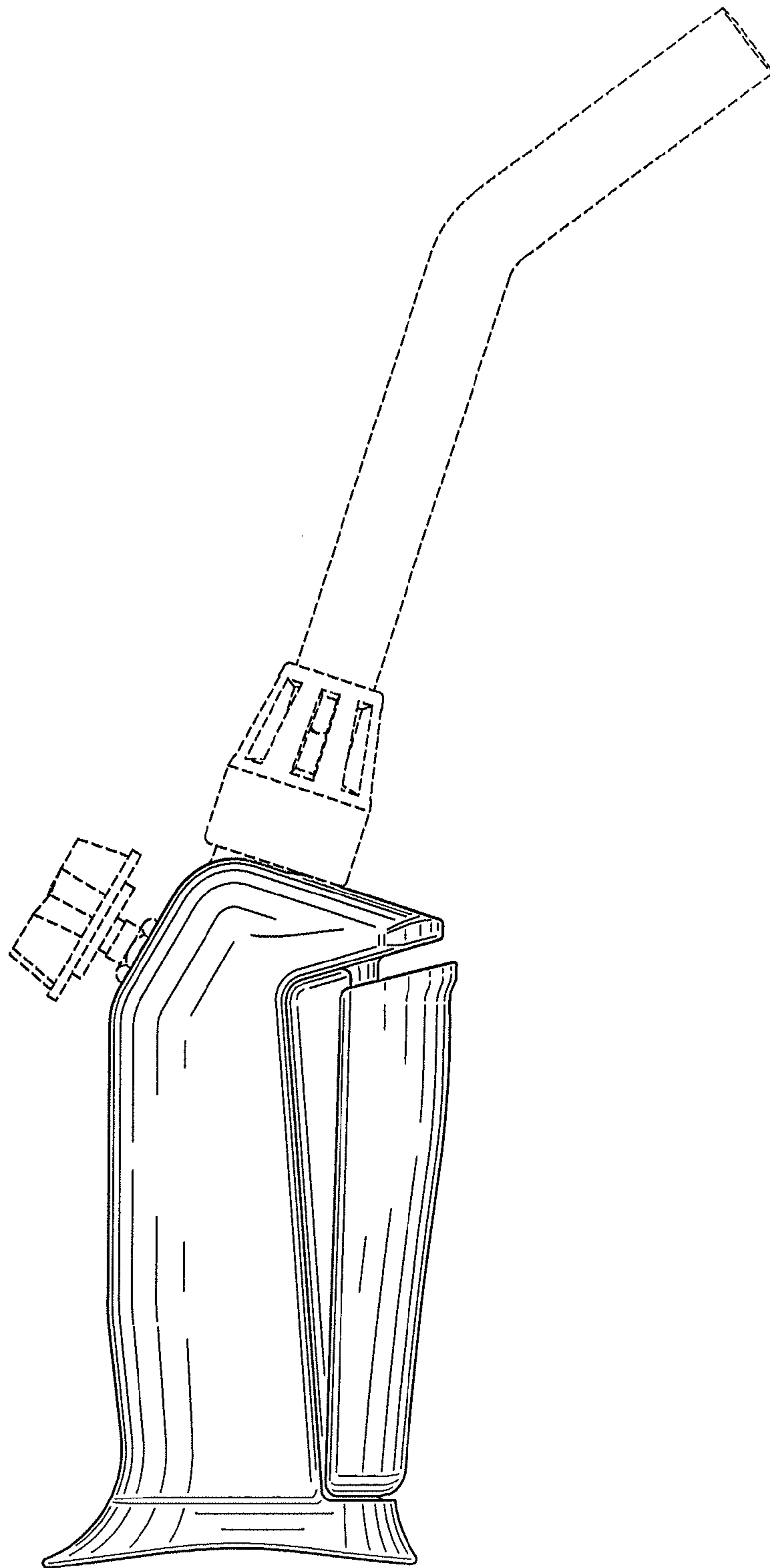


FIG. 4

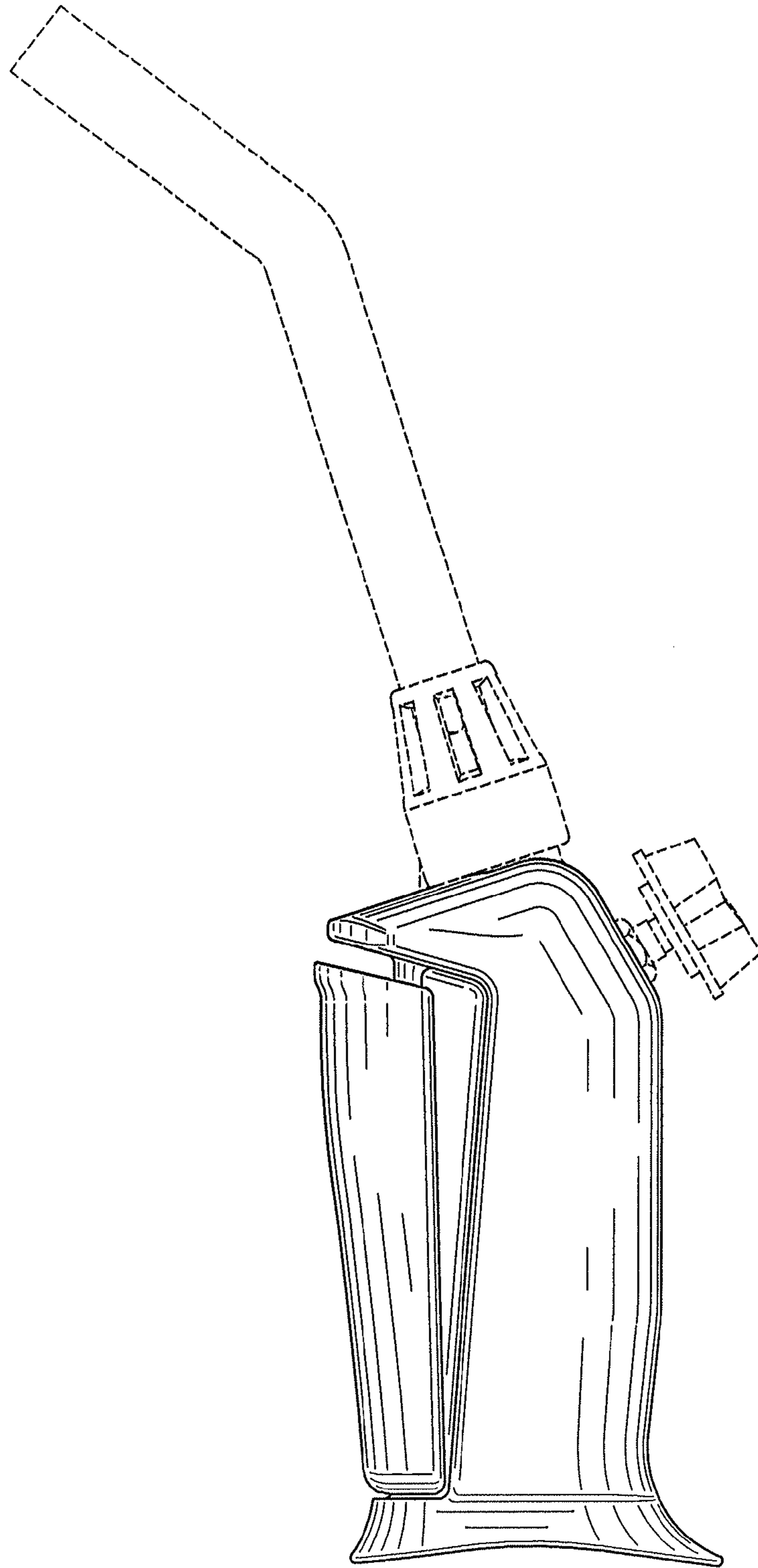


FIG. 5

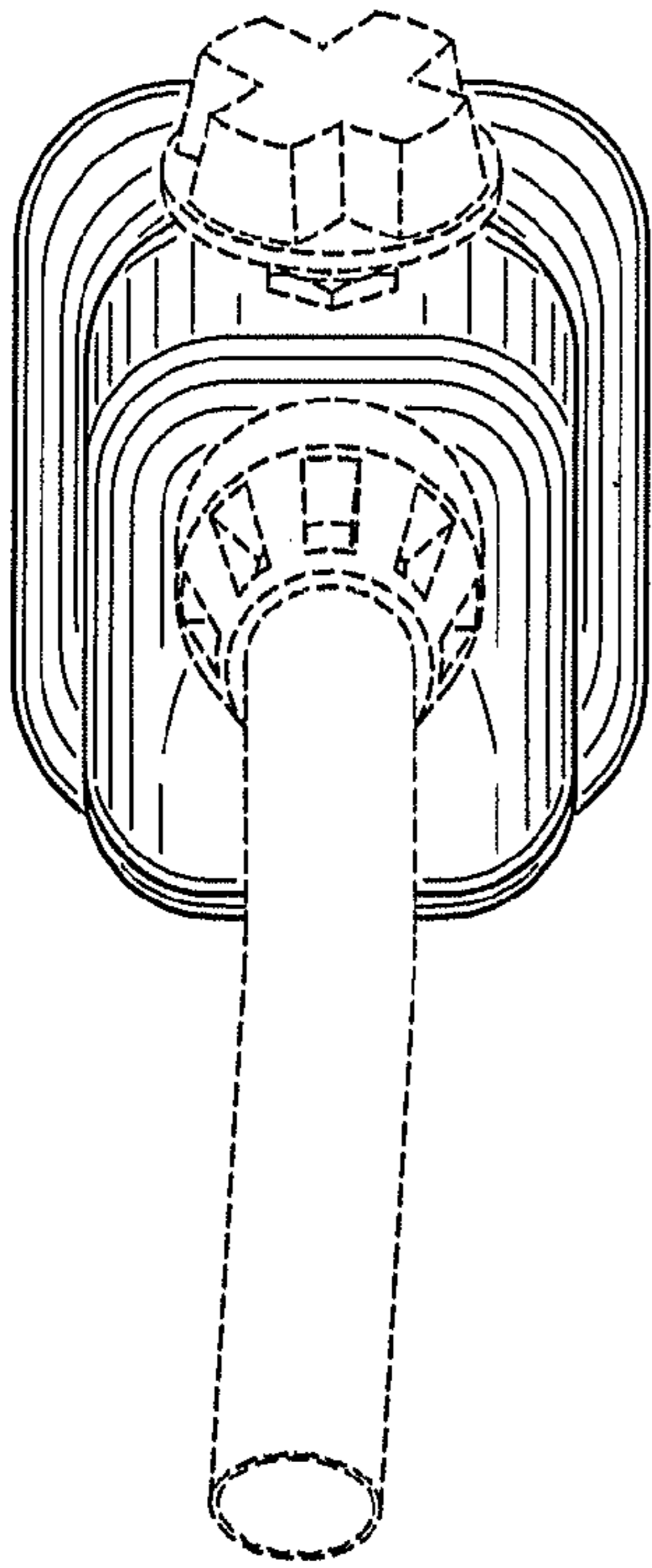


FIG. 6

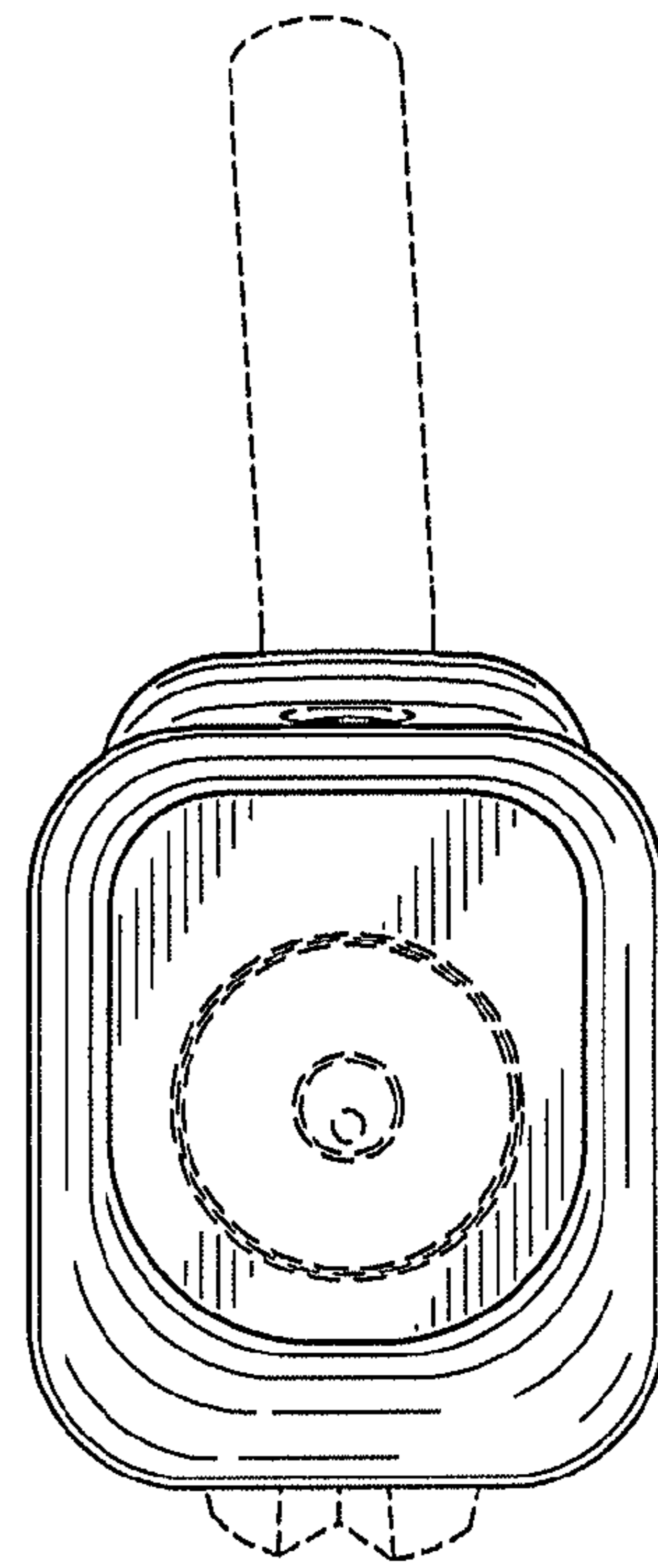


FIG. 7