



US00D711945S

(12) **United States Design Patent**  
**Garg**

(10) **Patent No.:** **US D711,945 S**

(45) **Date of Patent:** **\*\* Aug. 26, 2014**

(54) **COLDNESS/HEAT PRESERVING CONTAINER**

(71) Applicant: **Innovation Thru Energy Co., Ltd,**  
Tokyo (JP)

(72) Inventor: **Pankaj Garg,** Tokyo (JP)

(73) Assignee: **Innovation Thru Energy Co., Ltd.,**  
Tokyo (JP)

(\*\*) Term: **14 Years**

(21) Appl. No.: **29/459,878**

(22) Filed: **Jul. 3, 2013**

(30) **Foreign Application Priority Data**

Jan. 10, 2013 (JP) ..... 2013-000344

(51) **LOC (10) Cl.** ..... **15-07**

(52) **U.S. Cl.**  
USPC ..... **D15/90**

(58) **Field of Classification Search**  
USPC ..... D15/90; 62/125, 457.1-457.9; 249/119,  
249/121; D7/605-607

See application file for complete search history.

(56) **References Cited**

U.S. PATENT DOCUMENTS

4,804,083	A	*	2/1989	Weeks	.....	206/216
D322,383	S	*	12/1991	Jones	.....	D15/90
D336,595	S	*	6/1993	Jones	.....	D15/90
D351,532	S	*	10/1994	Wolfenden	.....	D7/605
D473,572	S	*	4/2003	Linberg et al.	.....	D15/90
D537,850	S	*	3/2007	Moore et al.	.....	D15/90
D537,851	S	*	3/2007	Mount	.....	D15/90
D538,309	S	*	3/2007	Mount	.....	D15/90
D700,636	S	*	3/2014	Maggioni	.....	D15/90
D700,637	S	*	3/2014	Maggioni	.....	D15/90

\* cited by examiner

*Primary Examiner* — Mitchell Siegel

(74) *Attorney, Agent, or Firm* — Muncy, Geissler, Olds & Lowe, P.C.

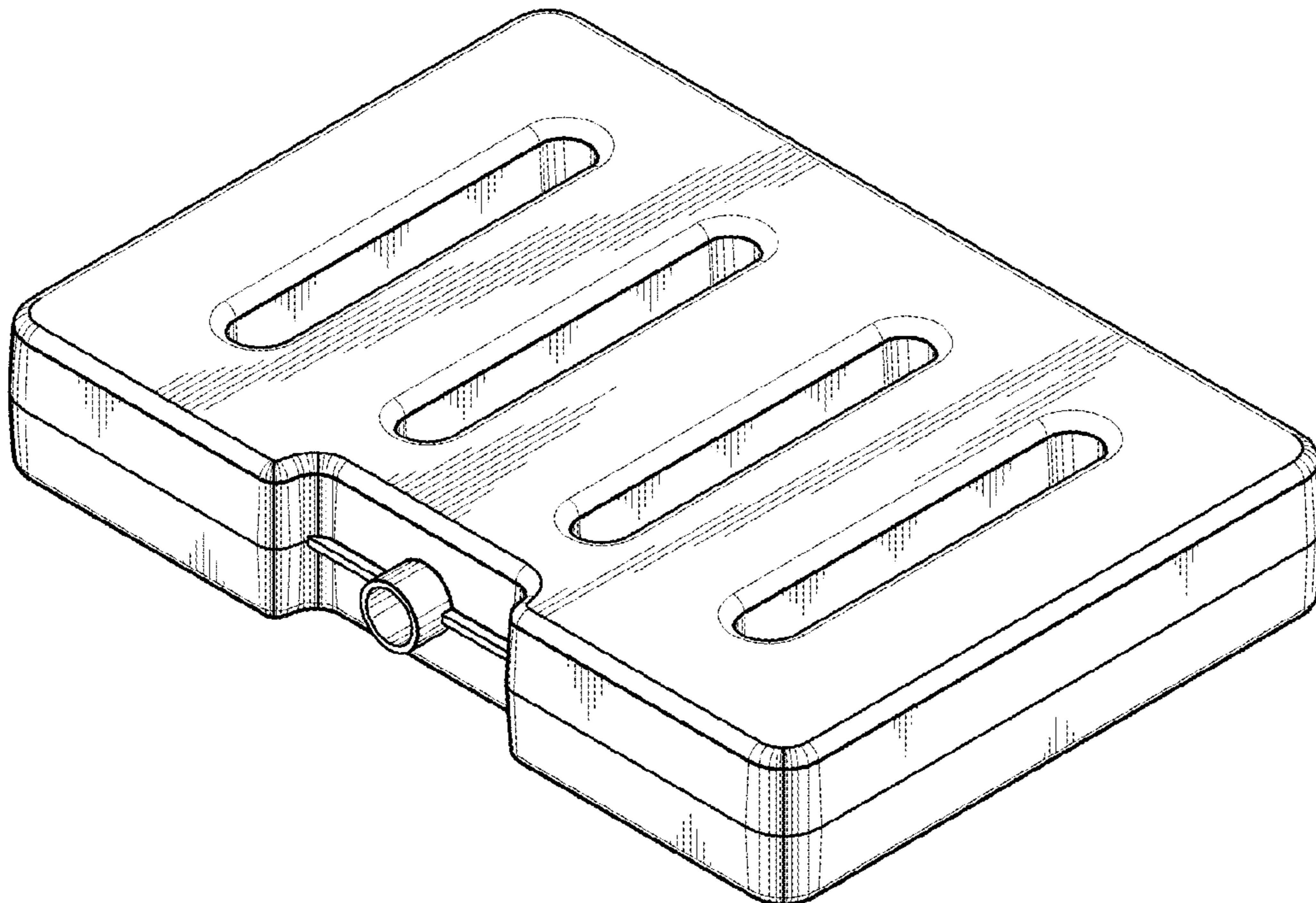
(57) **CLAIM**

The ornamental design for a coldness/heat preserving container, as shown and described.

**DESCRIPTION**

FIG. 1 is a perspective view of the coldness/heat preserving container showing my design;  
FIG. 2 is a front elevational view thereof;  
FIG. 3 is a top plan view thereof, the bottom view being identical thereto;  
FIG. 4 is a right side view thereof, the left view being identical thereto;  
FIG. 5 is a rear elevational view thereof; and,  
FIG. 6 is a cross-section taken across line 6-6 of FIG. 3.

**1 Claim, 3 Drawing Sheets**



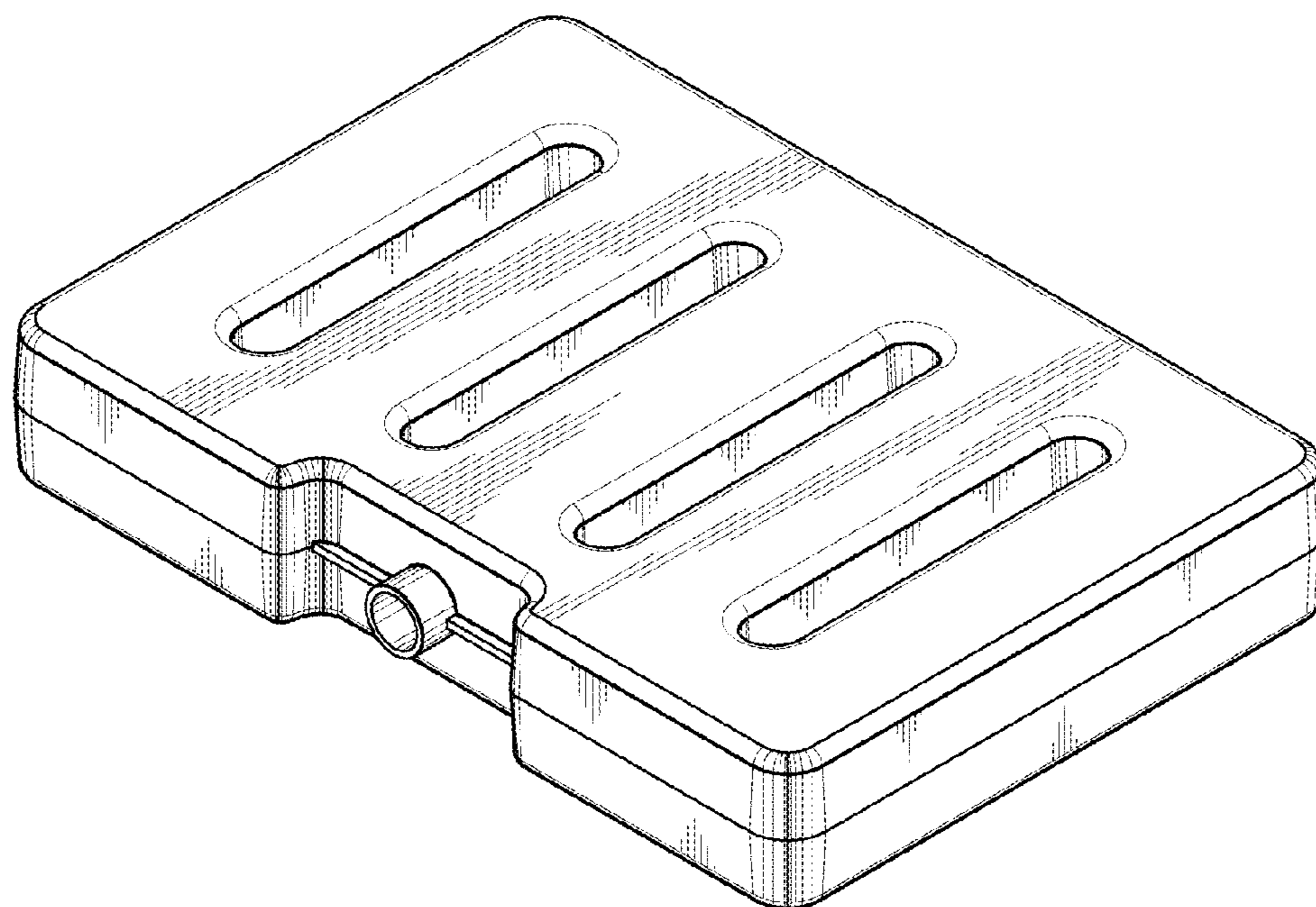


FIG. 1

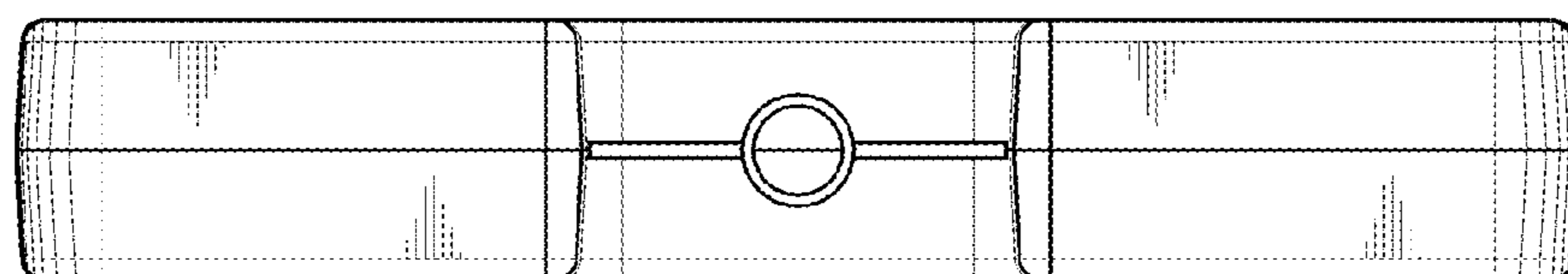


FIG. 2

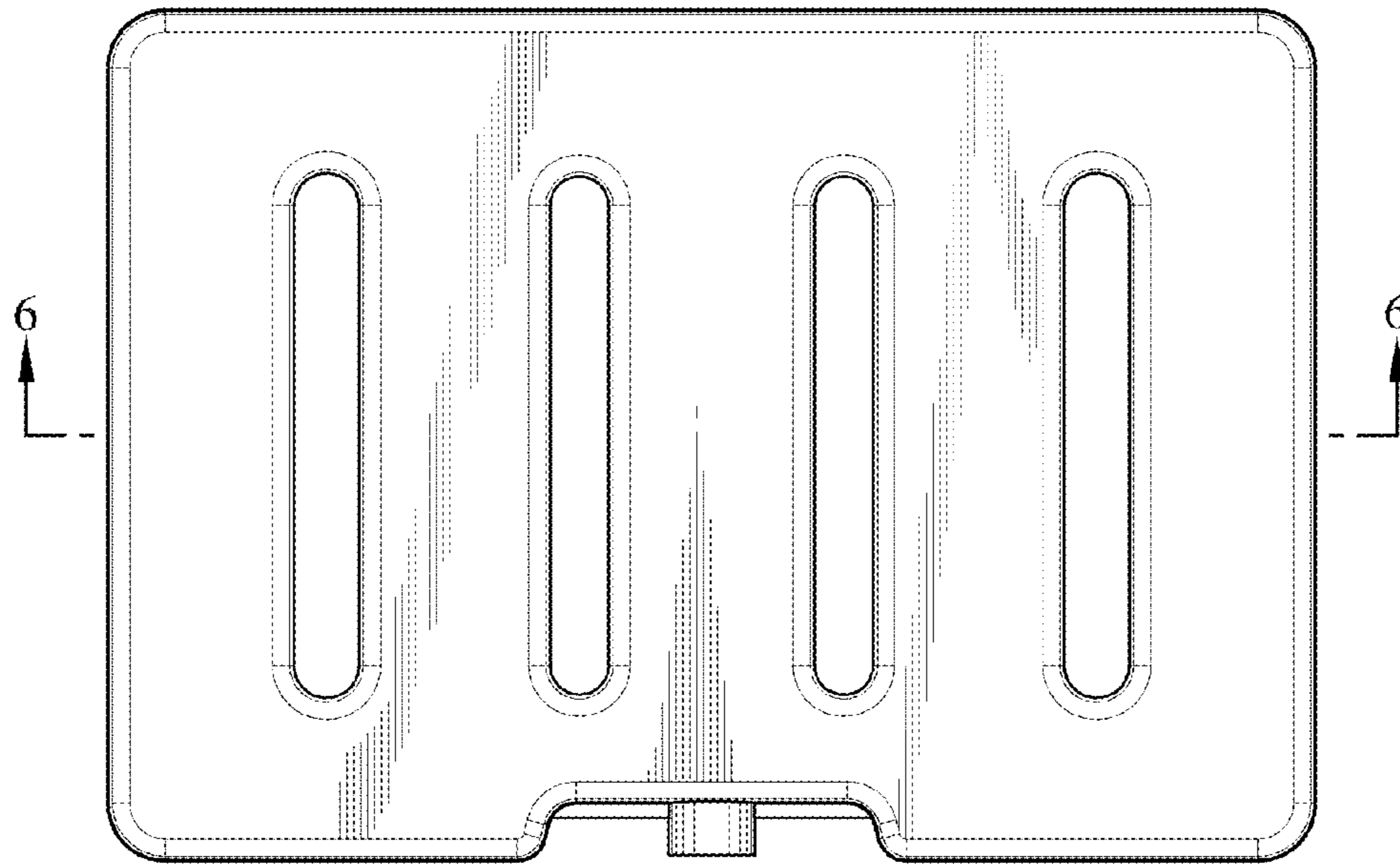


FIG. 3

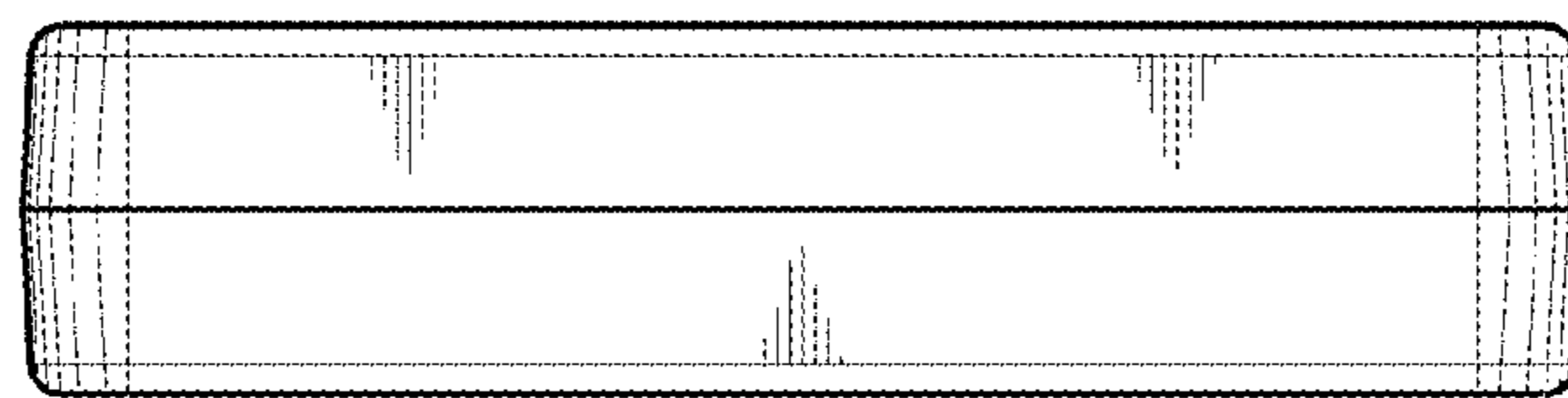


FIG. 4

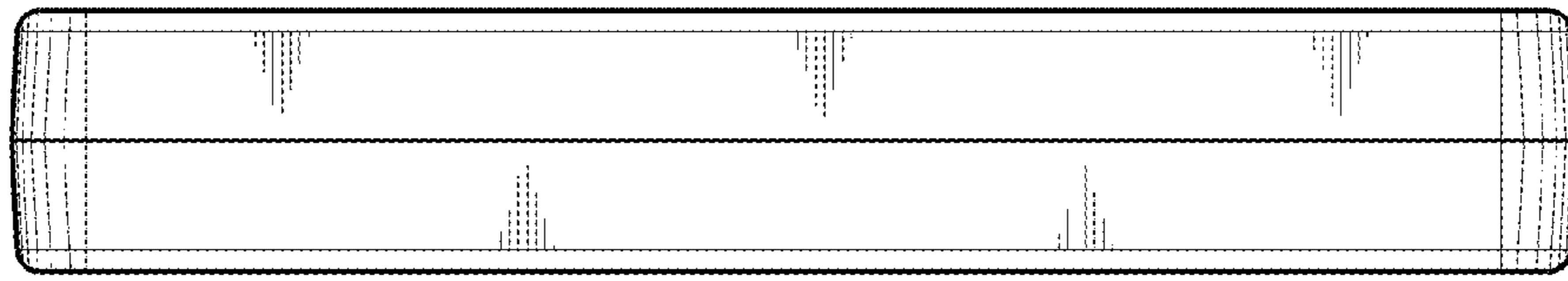


FIG. 5

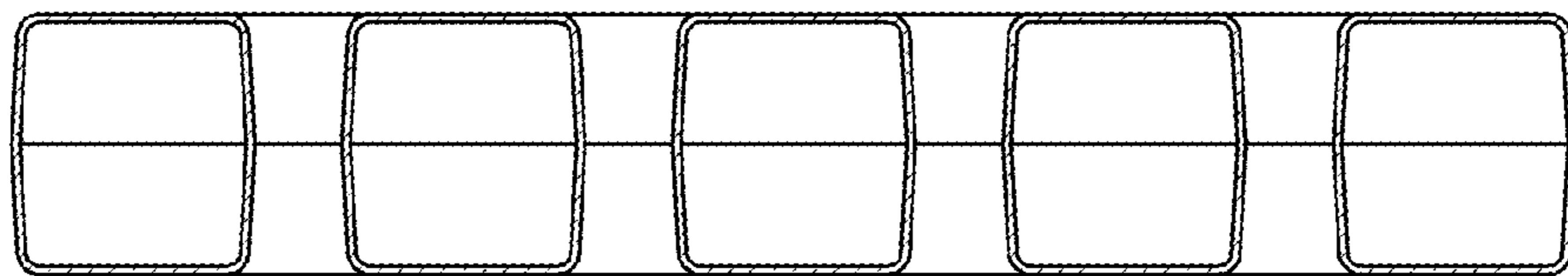


FIG. 6