



US00D711943S

(12) **United States Design Patent**  
**Park et al.**

(10) **Patent No.:** **US D711,943 S**

(45) **Date of Patent:** **\*\* Aug. 26, 2014**

(54) **DOOR SHELF FOR REFRIGERATOR**

(71) Applicant: **Samsung Electronics Co., Ltd.**,  
Suwon-si (KR)

(72) Inventors: **Young-Min Park**, Seoul (KR);  
**Min-Hyong Boo**, Seoul (KR);  
**Hyun-Soo Kim**, Seongnam-si (KR);  
**Kyung-Tae Kim**, Suwon-si (KR);  
**Jong-Hyub Lee**, Seoul (KR)

(73) Assignee: **Samsung Electronics Co., Ltd.** (KR)

(\*\*) Term: **14 Years**

(21) Appl. No.: **29/459,547**

(22) Filed: **Jul. 1, 2013**

(30) **Foreign Application Priority Data**

Jan. 2, 2013 (KR) ..... 30-2013-0000136

(51) **LOC (10) Cl.** ..... **15-07**

(52) **U.S. Cl.**  
USPC ..... **D15/89**

(58) **Field of Classification Search**  
USPC ..... D15/79-89, 91; 62/3.6, 125, 126, 187,  
62/246-255; 312/116, 138.1, 236, 321.5,  
312/330.1, 400-409

See application file for complete search history.

(56) **References Cited**

U.S. PATENT DOCUMENTS

D344,739	S	*	3/1994	Edman et al.	.....	D15/89
5,346,299	A	*	9/1994	Werkmeister et al.	.....	312/405.1
5,375,924	A	*	12/1994	Pohl et al.	.....	312/405.1
5,951,134	A	*	9/1999	Braun et al.	.....	312/405.1
D490,091	S	*	5/2004	Quinlan	.....	D15/89
D511,177	S	*	11/2005	Jackovin et al.	.....	D15/89
D511,179	S	*	11/2005	Tunzi	.....	D15/89
7,293,846	B2	*	11/2007	Collins et al.	.....	312/405.1
D603,883	S	*	11/2009	Placke et al.	.....	D15/89
D692,034	S	*	10/2013	Seo et al.	.....	D15/89

\* cited by examiner

*Primary Examiner* — Mitchell Siegel

(74) *Attorney, Agent, or Firm* — Cantor Colburn LLP

(57) **CLAIM**

We claim, the ornamental design for a door shelf for refrigerator, as shown and described.

**DESCRIPTION**

FIG. 1 is a perspective view of a door shelf for refrigerator, showing our new design;  
FIG. 2 is a front elevation view thereof;  
FIG. 3 is a rear elevation view thereof;  
FIG. 4 is a side elevation view thereof;  
FIG. 5 is a another side elevation view thereof;  
FIG. 6 is a top plan view thereof;  
FIG. 7 is a bottom plan view thereof;  
FIG. 8 is a perspective view thereof shown in a partial refrigerator shelf environment; and,  
FIG. 9 is a perspective view thereof shown in a refrigerator door environment.

The broken line showing of is included for the purpose of illustrating and forms no part of the claimed design.

**1 Claim, 6 Drawing Sheets**

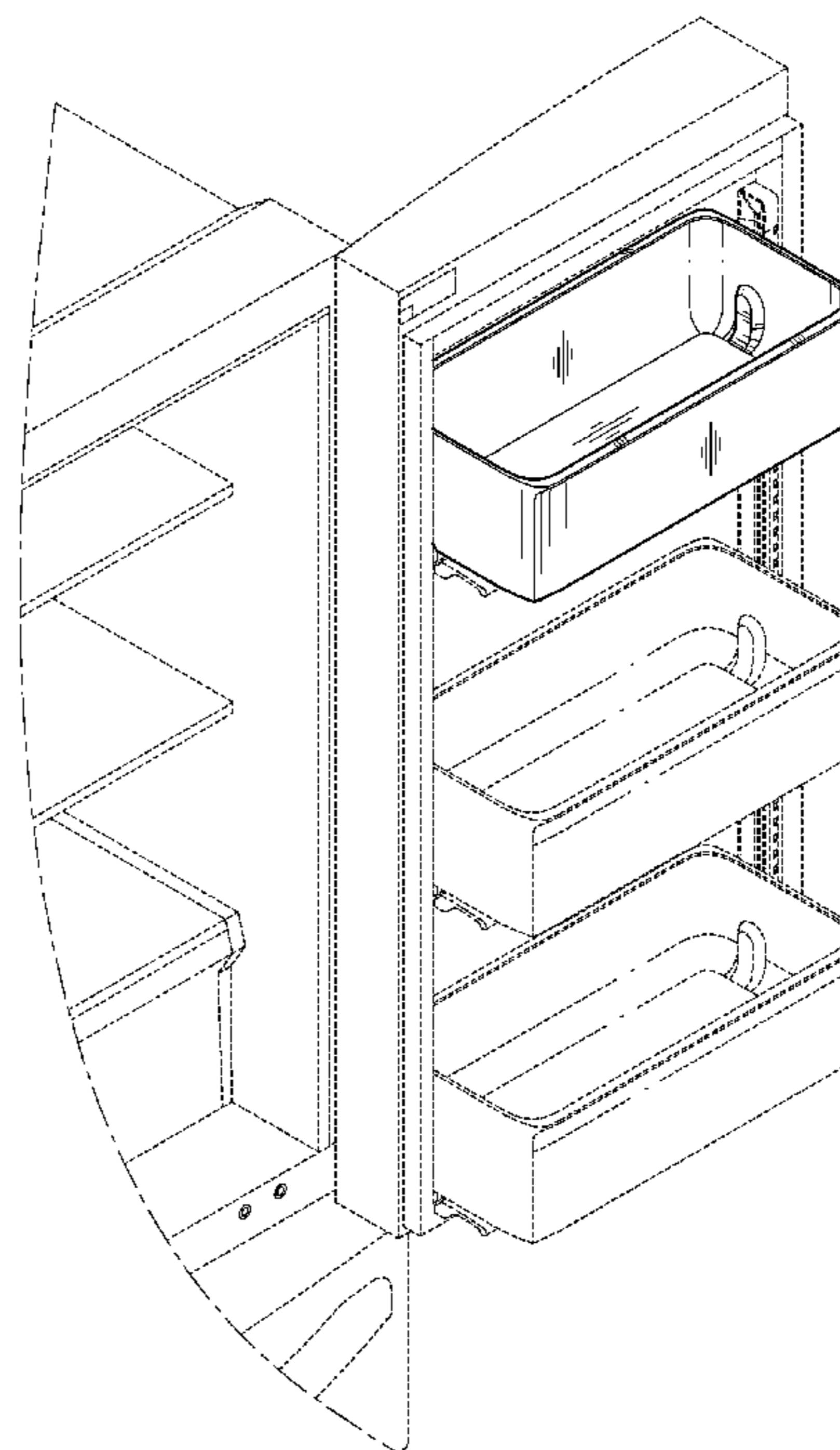
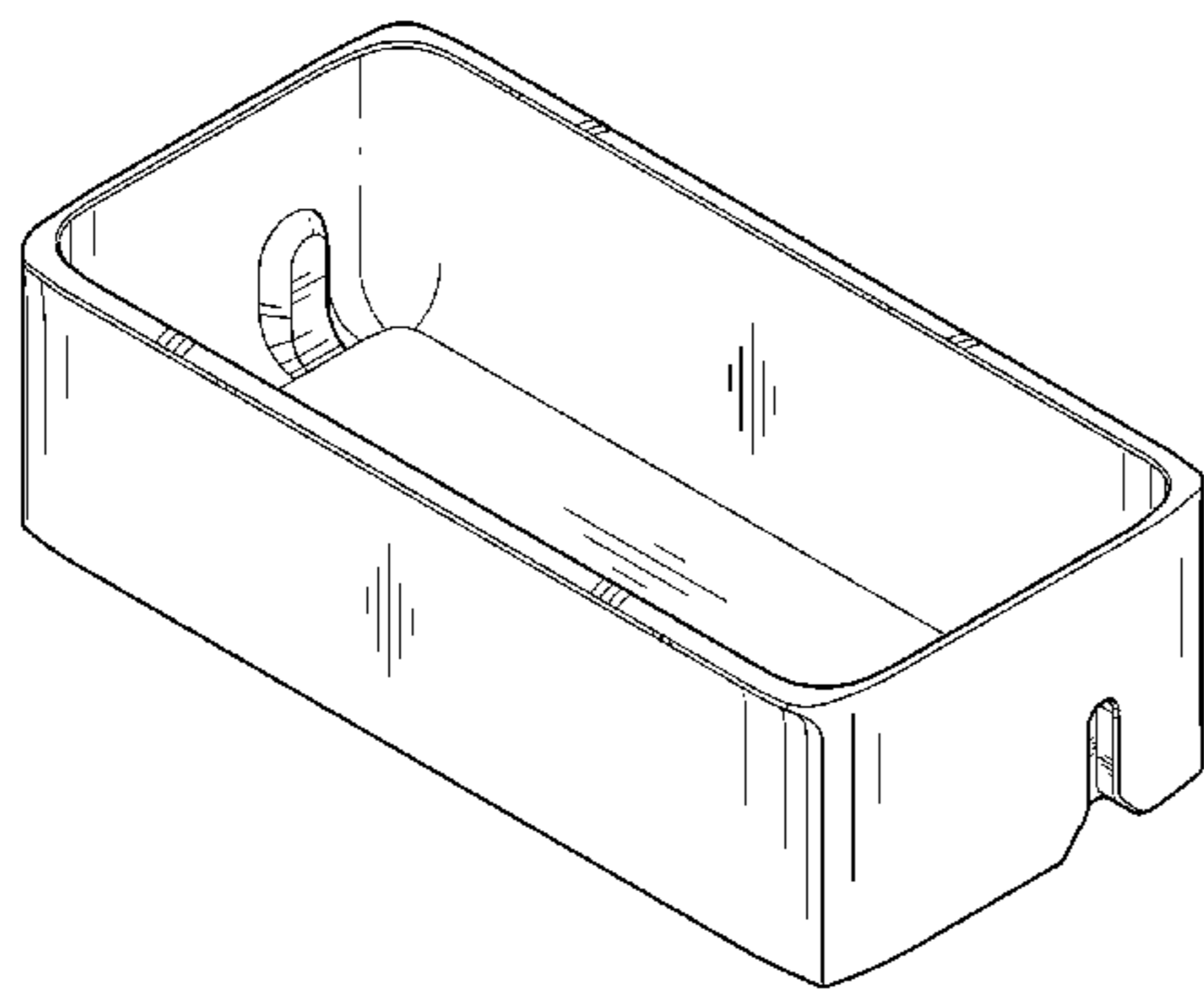


FIG. 1

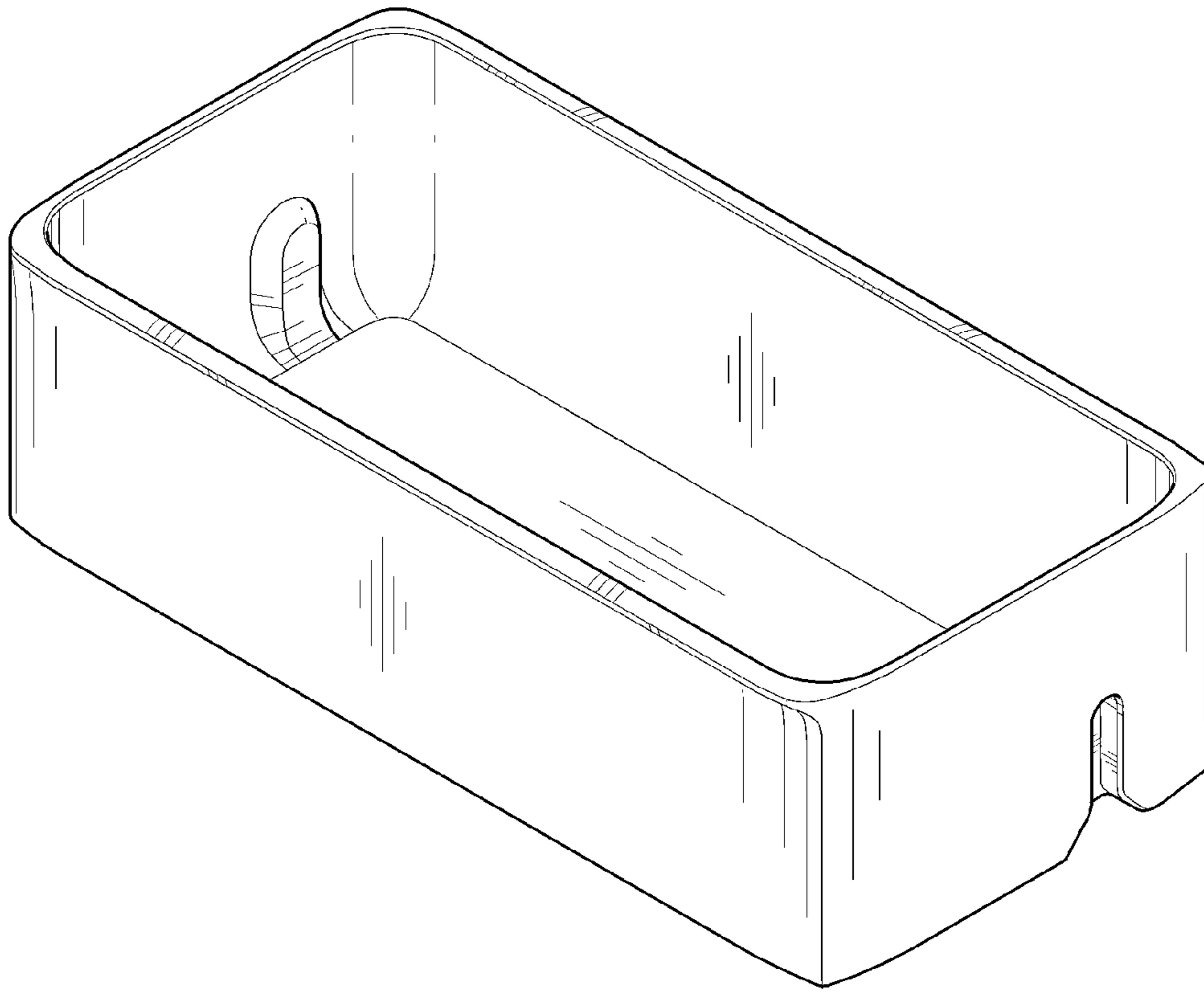


FIG. 2

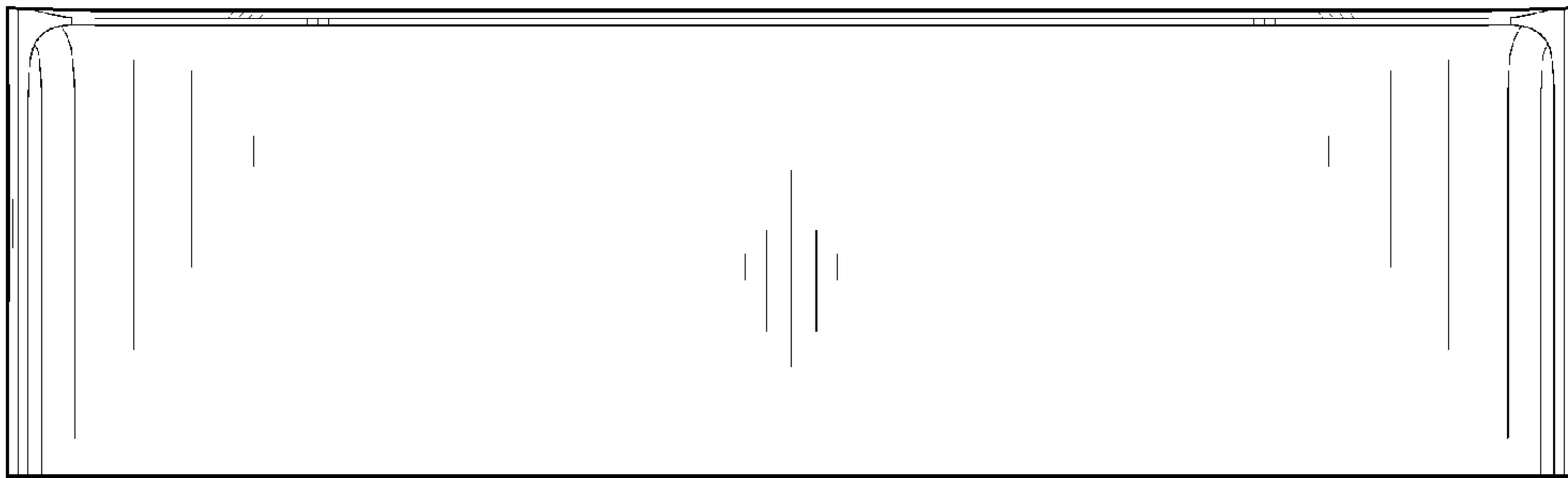


FIG. 3

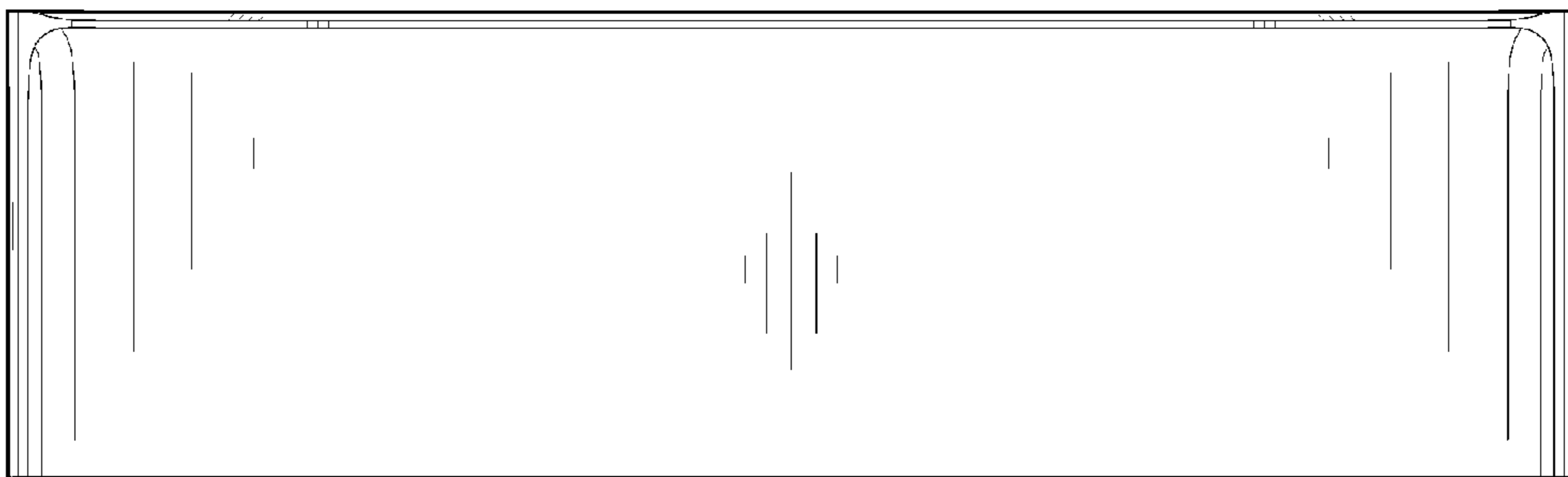


FIG. 4

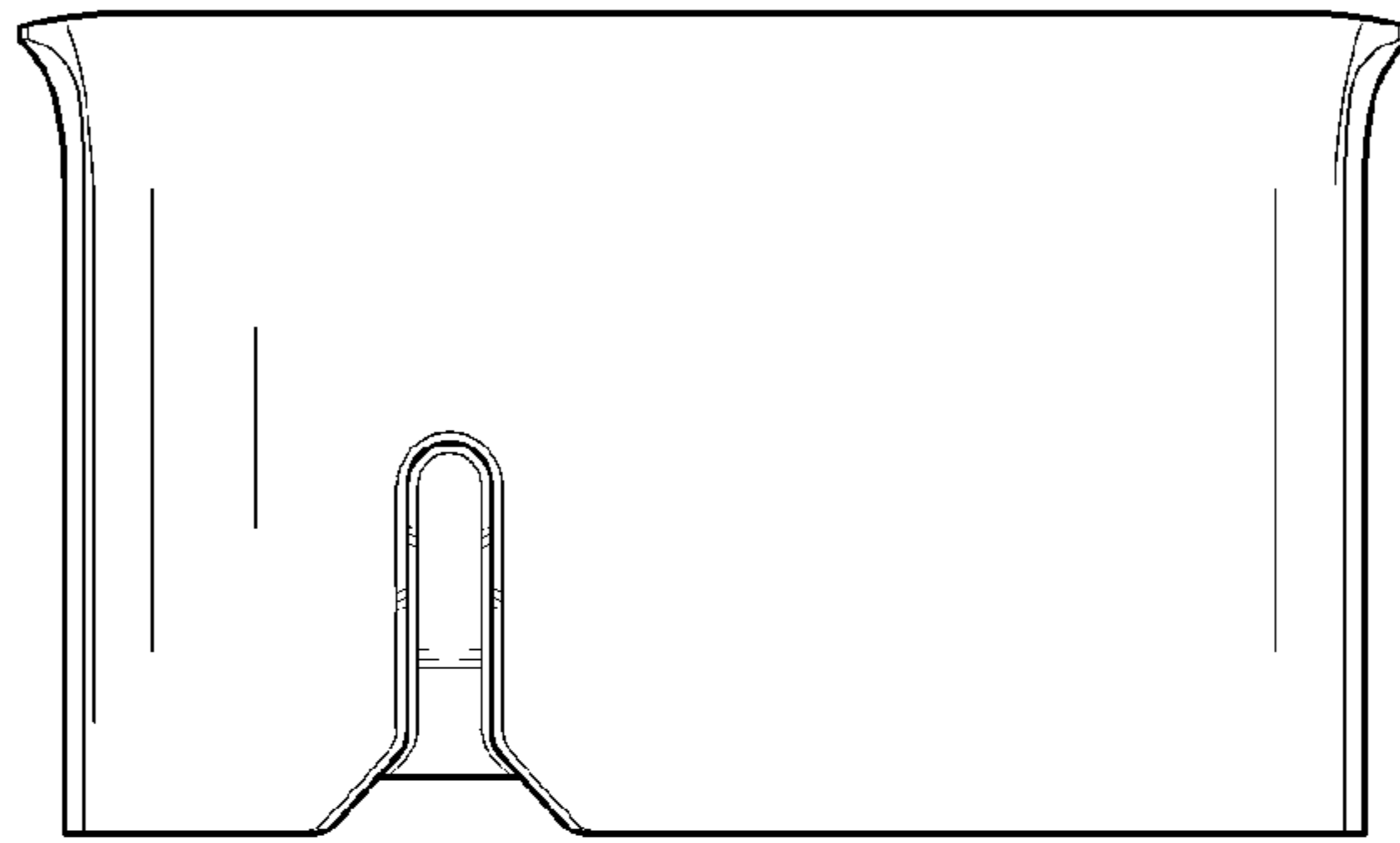


FIG. 5

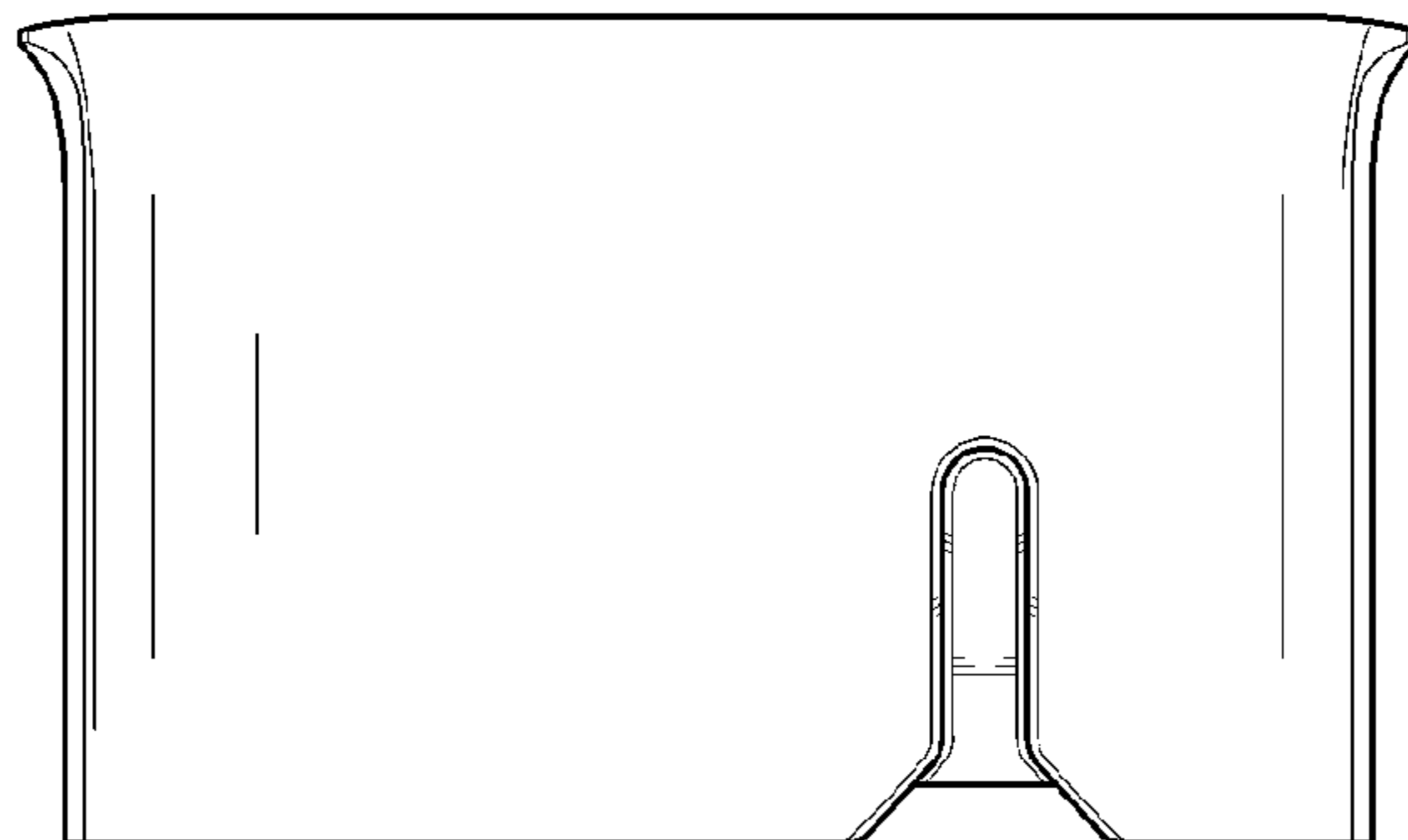


FIG. 6

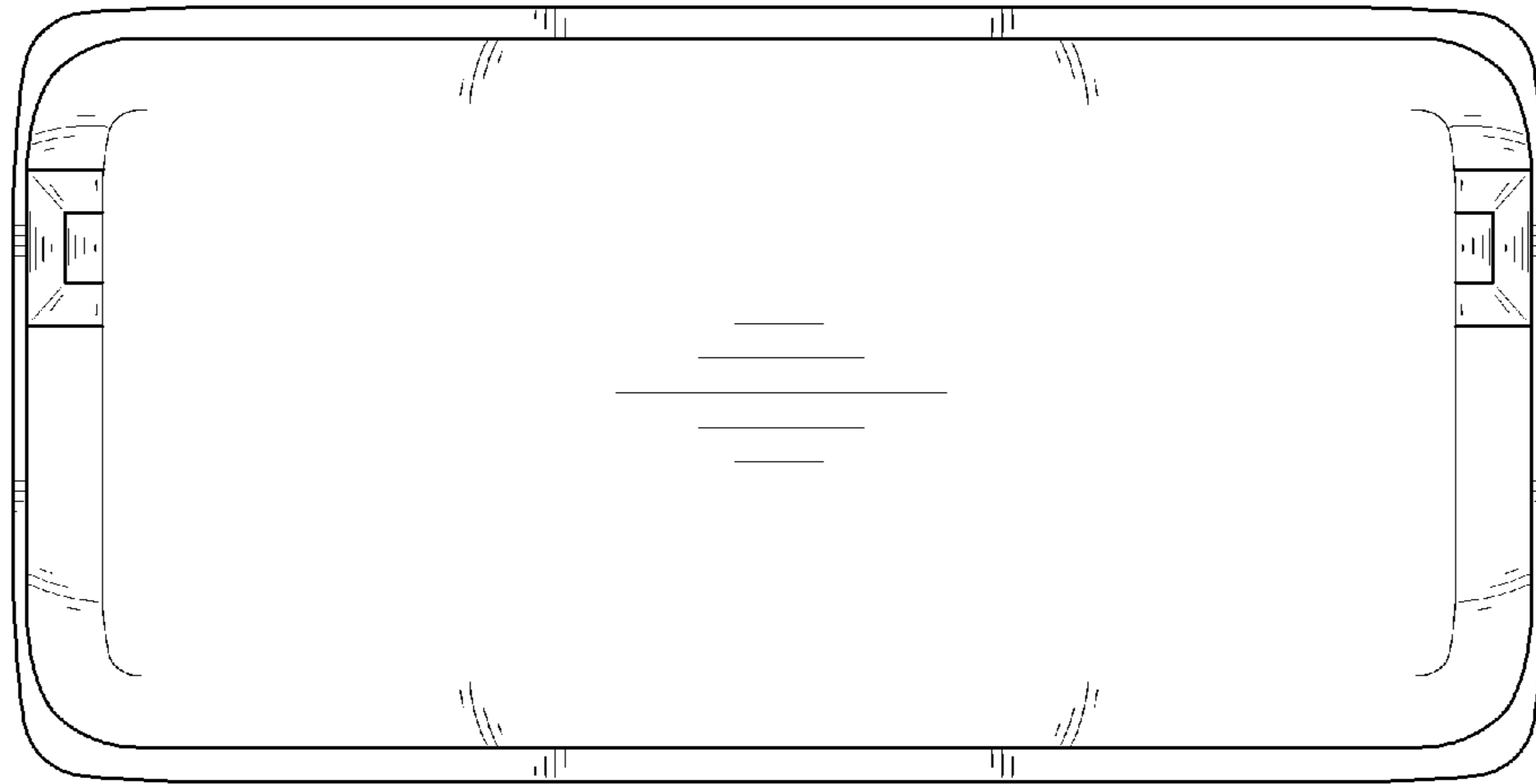


FIG. 7

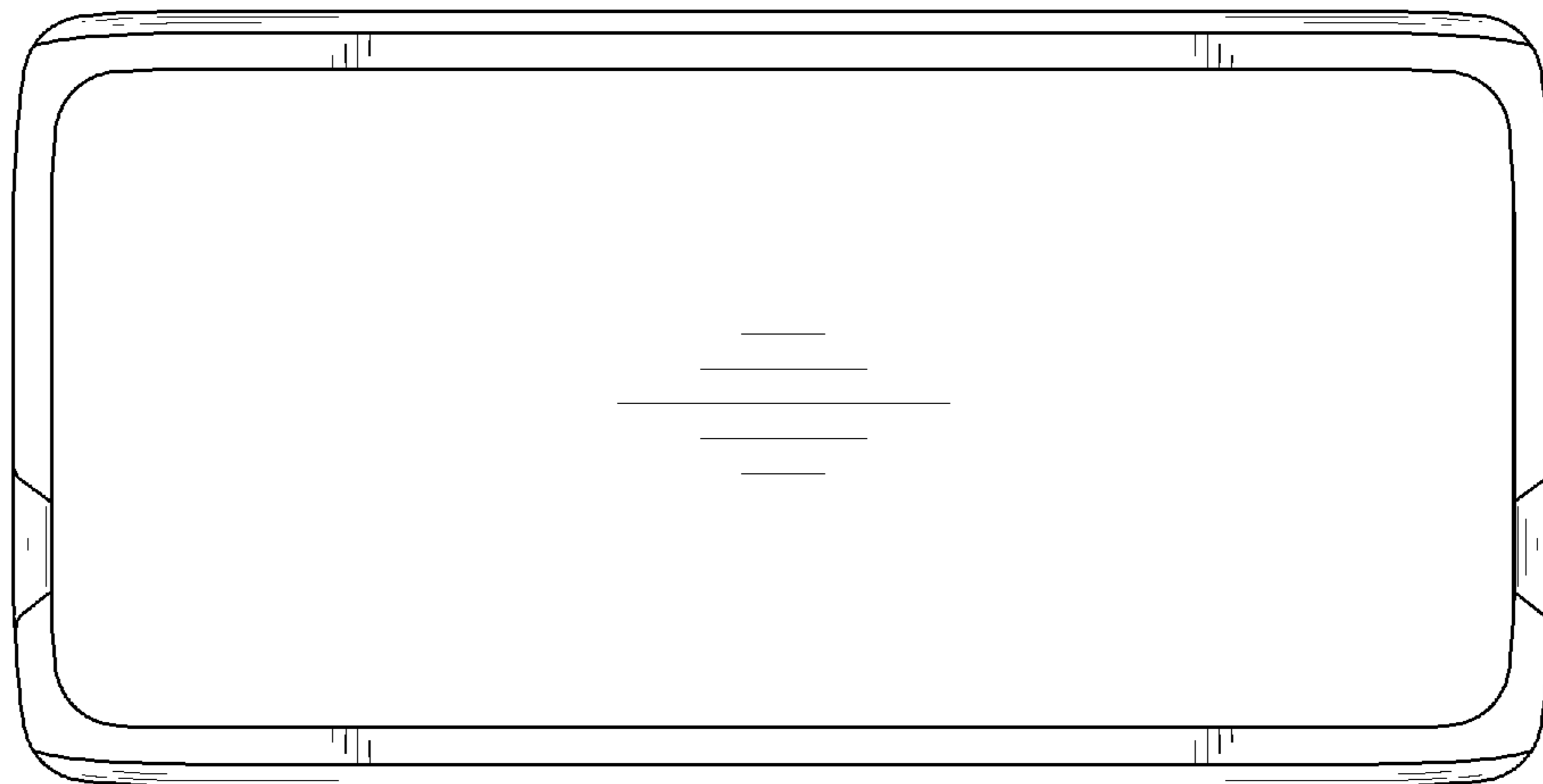


FIG. 8

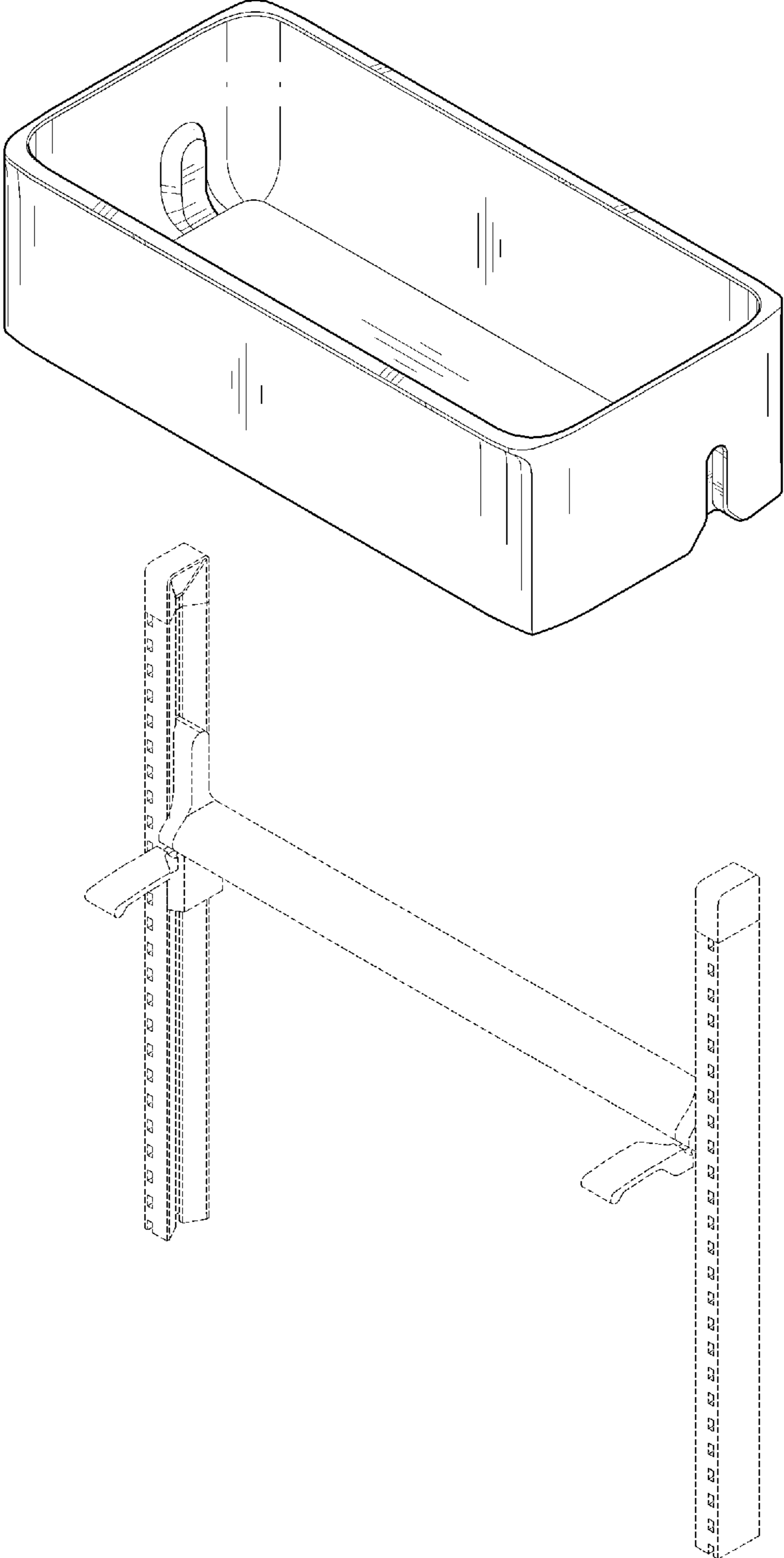


FIG. 9

