



US00D711941S

(12) **United States Design Patent**
Jeon et al.

(10) **Patent No.:** **US D711,941 S**

(45) **Date of Patent:** **** Aug. 26, 2014**

(54) **REFRIGERATOR**

(71) Applicant: **Samsung Electronics Co., Ltd.**,
Suwon-si (KR)

(72) Inventors: **Sang-Woon Jeon**, Namyangju-si (KR);
Min-Hyong Boo, Seoul (KR);
Jae-Moon Lee, Seoul (KR)

(73) Assignee: **Samsung Electronics Co., Ltd.** (KR)

(**) Term: **14 Years**

(21) Appl. No.: **29/459,249**

(22) Filed: **Jun. 27, 2013**

(30) **Foreign Application Priority Data**

Dec. 28, 2012 (KR) 30-2012-0063025

(51) **LOC (10) Cl.** **15-07**

(52) **U.S. Cl.**
USPC **D15/89**

(58) **Field of Classification Search**
USPC D15/79-89, 91; 312/236, 352,
312/400-408, 112-119; 62/3.1-3.64, 293,
62/371, 400, 467, 529, 531
See application file for complete search history.

(56) **References Cited**

U.S. PATENT DOCUMENTS

D326,461	S	*	5/1992	Nakao et al.	D15/86
D410,013	S	*	5/1999	Takasago et al.	D15/86
D540,832	S	*	4/2007	Wang et al.	D15/86
D568,910	S	*	5/2008	Seo et al.	D15/87
D569,398	S	*	5/2008	Seo et al.	D15/87
D578,555	S	*	10/2008	Yeo et al.	D15/85
D594,886	S	*	6/2009	Wang et al.	D15/86
D613,778	S	*	4/2010	Kristiansen et al.	D15/86
D614,209	S	*	4/2010	Kristiansen et al.	D15/86
D615,109	S	*	5/2010	Yang et al.	D15/86

D616,000	S	*	5/2010	Yang et al.	D15/86
D616,001	S	*	5/2010	Yang et al.	D15/86
D625,342	S	*	10/2010	Seo et al.	D15/85
D632,708	S	*	2/2011	Seo et al.	D15/86
D633,114	S	*	2/2011	Seo et al.	D15/86
D641,384	S	*	7/2011	Yang et al.	D15/86
D647,544	S	*	10/2011	Kristiansen et al.	D15/86
D658,213	S	*	4/2012	Seo et al.	D15/86
D658,214	S	*	4/2012	Seo et al.	D15/86
D660,325	S	*	5/2012	Yang et al.	D15/86
D666,635	S	*	9/2012	Jidam et al.	D15/86
D671,964	S	*	12/2012	Hong et al.	D15/86
D671,965	S	*	12/2012	Shim	D15/86
D671,966	S	*	12/2012	Jidam et al.	D15/86
D674,417	S	*	1/2013	Seo et al.	D15/86
D674,823	S	*	1/2013	Jidam et al.	D15/86

(Continued)

Primary Examiner — Mitchell Siegel

(74) *Attorney, Agent, or Firm* — Cantor Colburn LLP

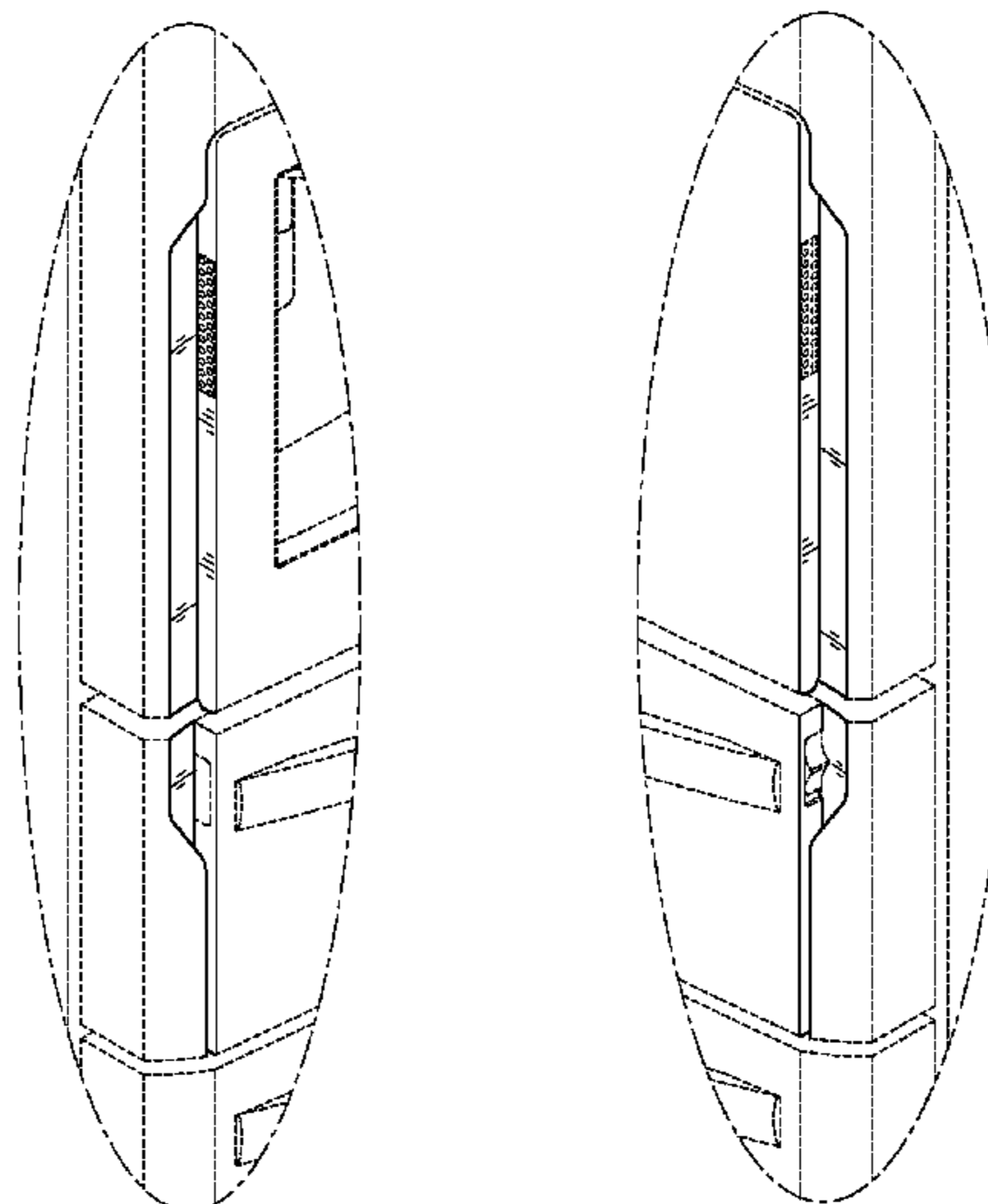
(57) **CLAIM**

We claim, the ornamental design for a refrigerator, as shown and described.

DESCRIPTION

FIG. 1 is a perspective view of a refrigerator, showing our new design;
FIG. 2 is a front elevation view thereof;
FIG. 3 is a rear elevation view thereof;
FIG. 4 is a side elevation view thereof;
FIG. 5 is a another side elevation view thereof;
FIG. 6 is a top plan view thereof;
FIG. 7 is a bottom plan view thereof;
FIG. 8 is an enlarged view of the portion encircled in FIG. 1;
FIG. 9 is another perspective view thereof; and,
FIG. 10 is an enlarged view of the portion encircled in FIG. 9.
The broken lines are for illustrative purposes only and form no part of the claimed design. The dot-dash broken lines encircle portions of the claimed design that are illustrated in enlargements.

1 Claim, 9 Drawing Sheets



US D711,941 S

Page 2

(56)

References Cited

U.S. PATENT DOCUMENTS

D676,467 S * 2/2013 Kim D15/86
D684,199 S * 6/2013 Jeon D15/86
D686,644 S * 7/2013 Lee et al. D15/86

D690,329 S * 9/2013 Seo et al. D15/86
D692,929 S * 11/2013 Seo et al. D15/86
D696,305 S * 12/2013 Kim D15/86
D698,374 S * 1/2014 Jeon et al. D15/86
D702,739 S * 4/2014 Kim D15/86

* cited by examiner

FIG. 1

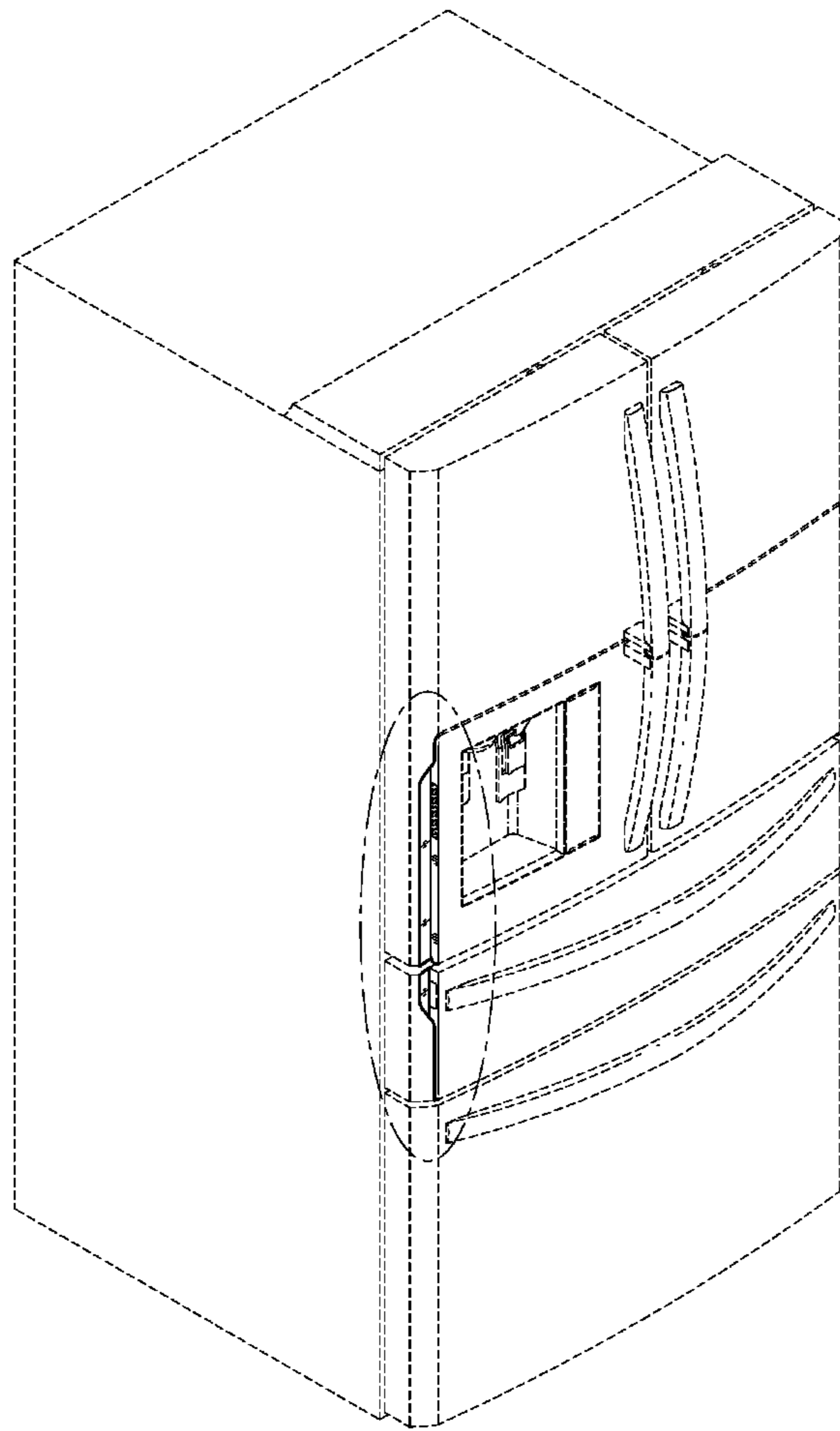


FIG.2

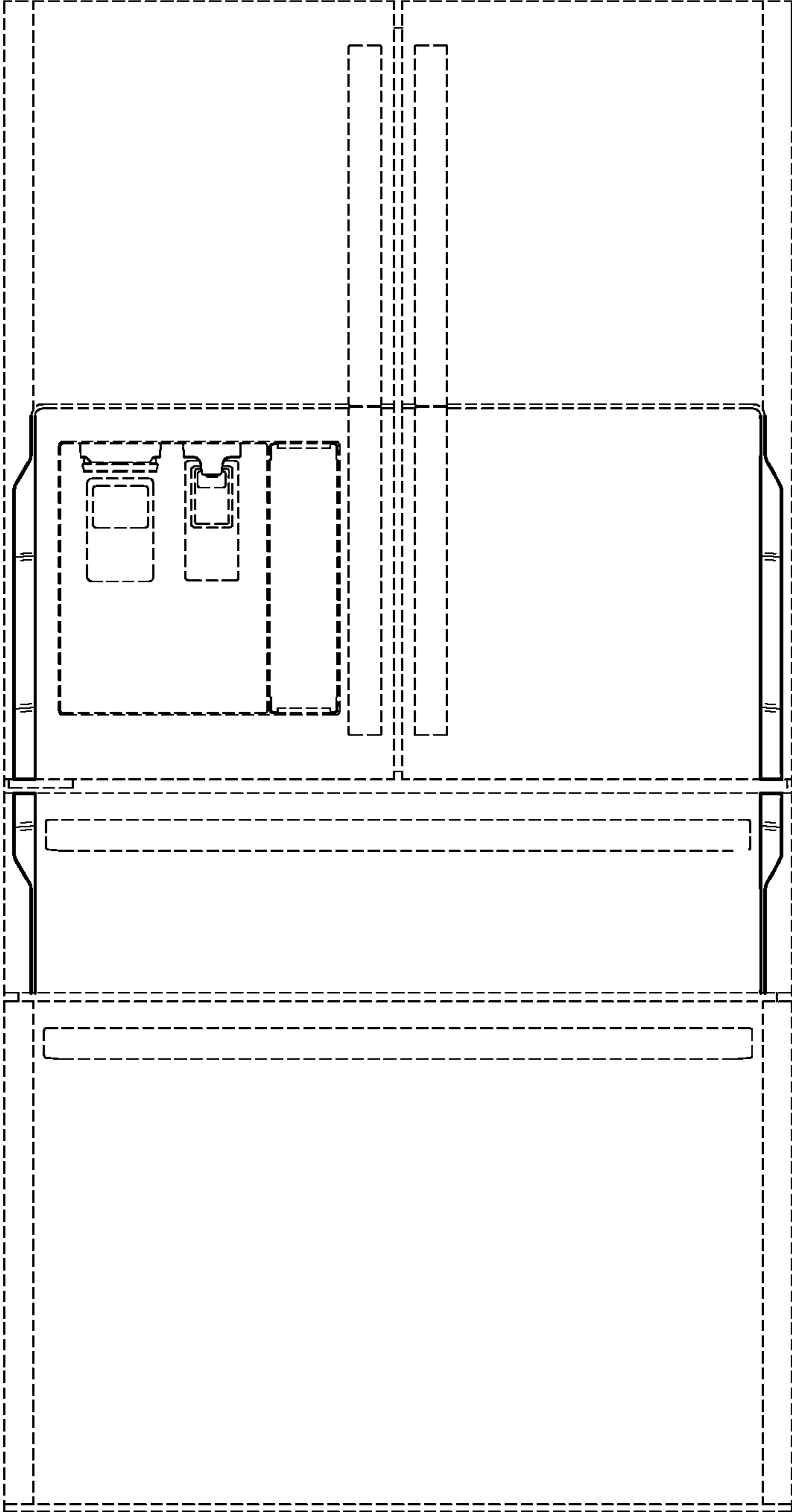


FIG. 3



FIG. 4

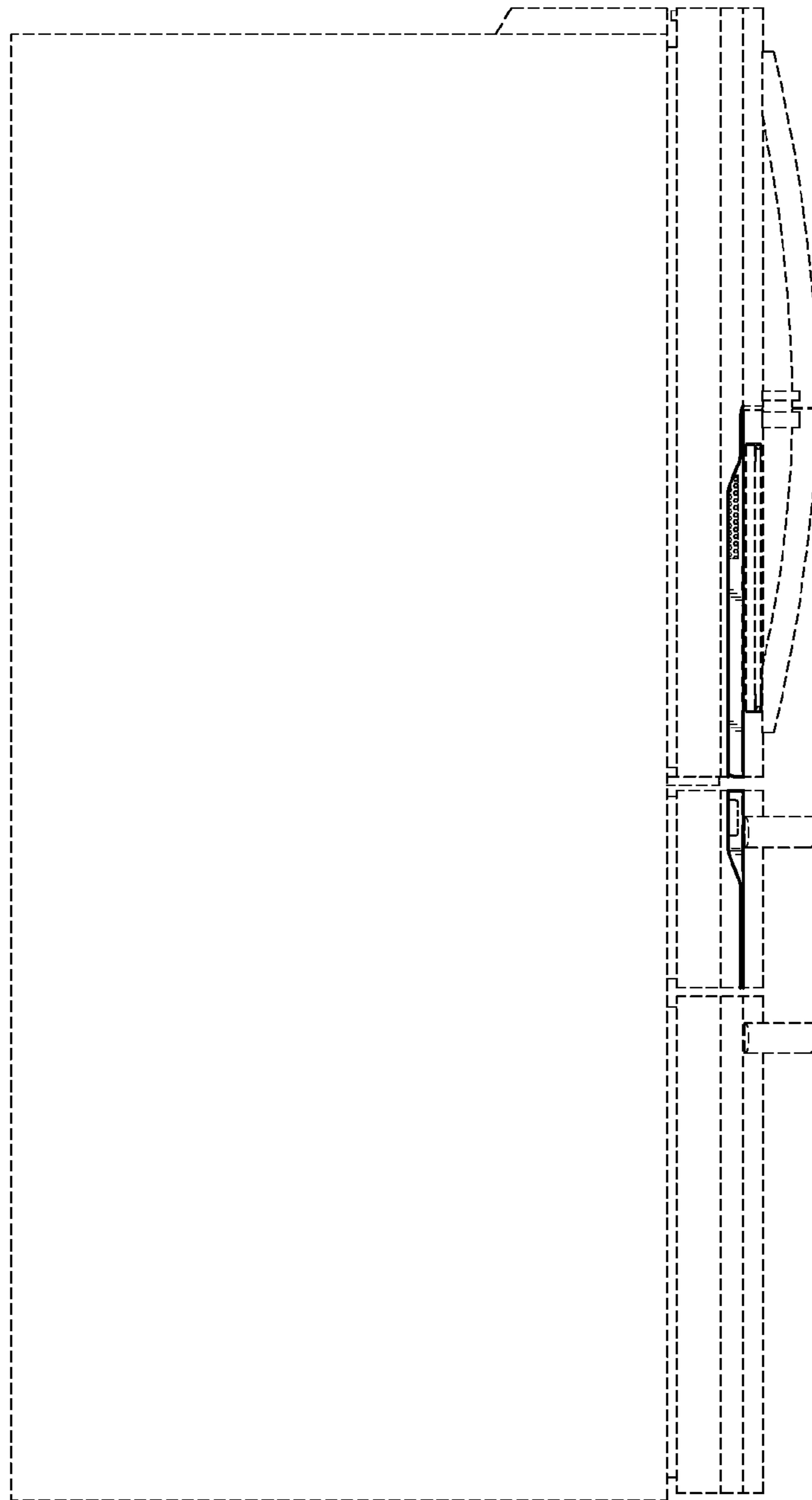


FIG. 5

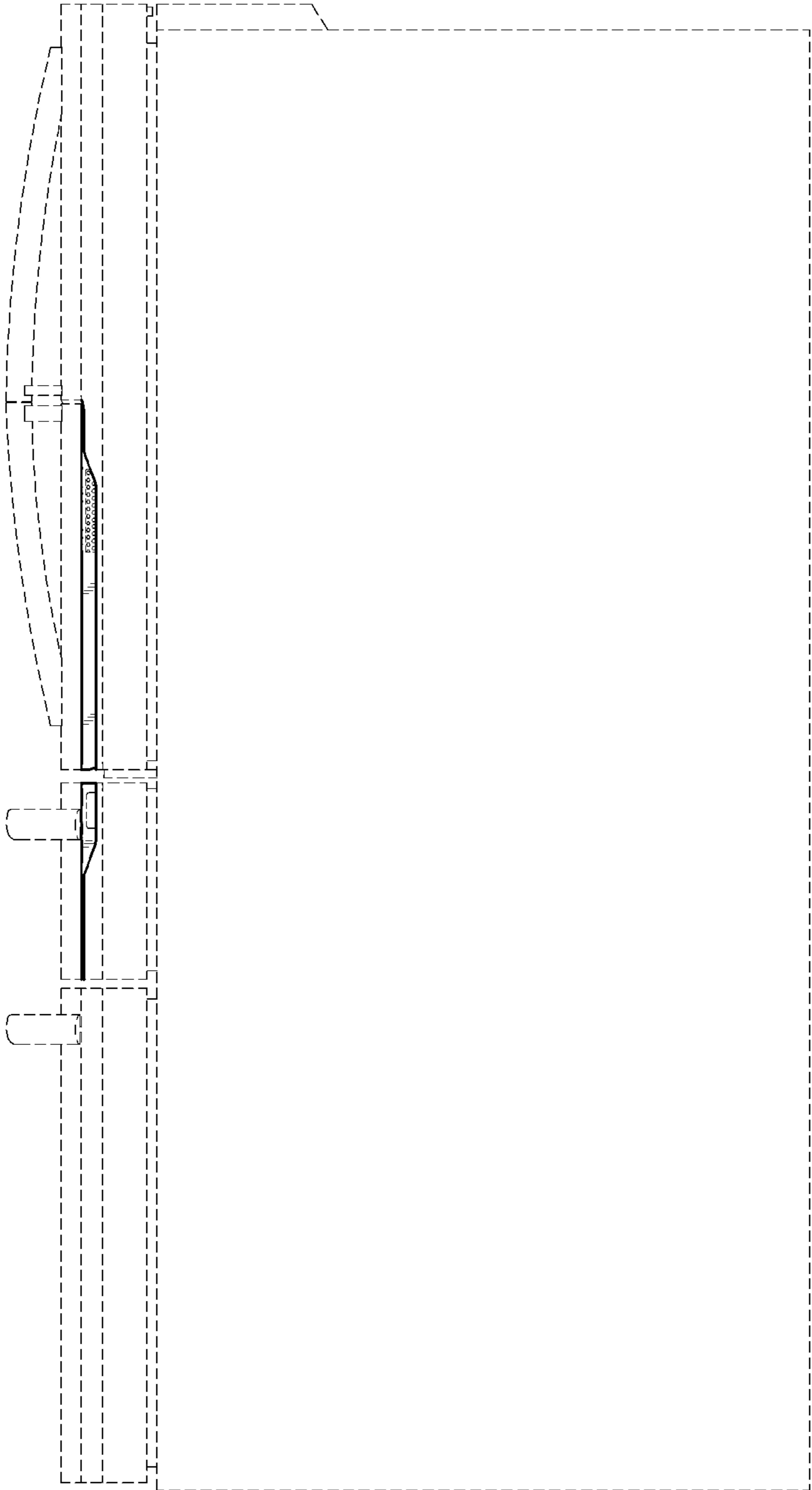


FIG. 6

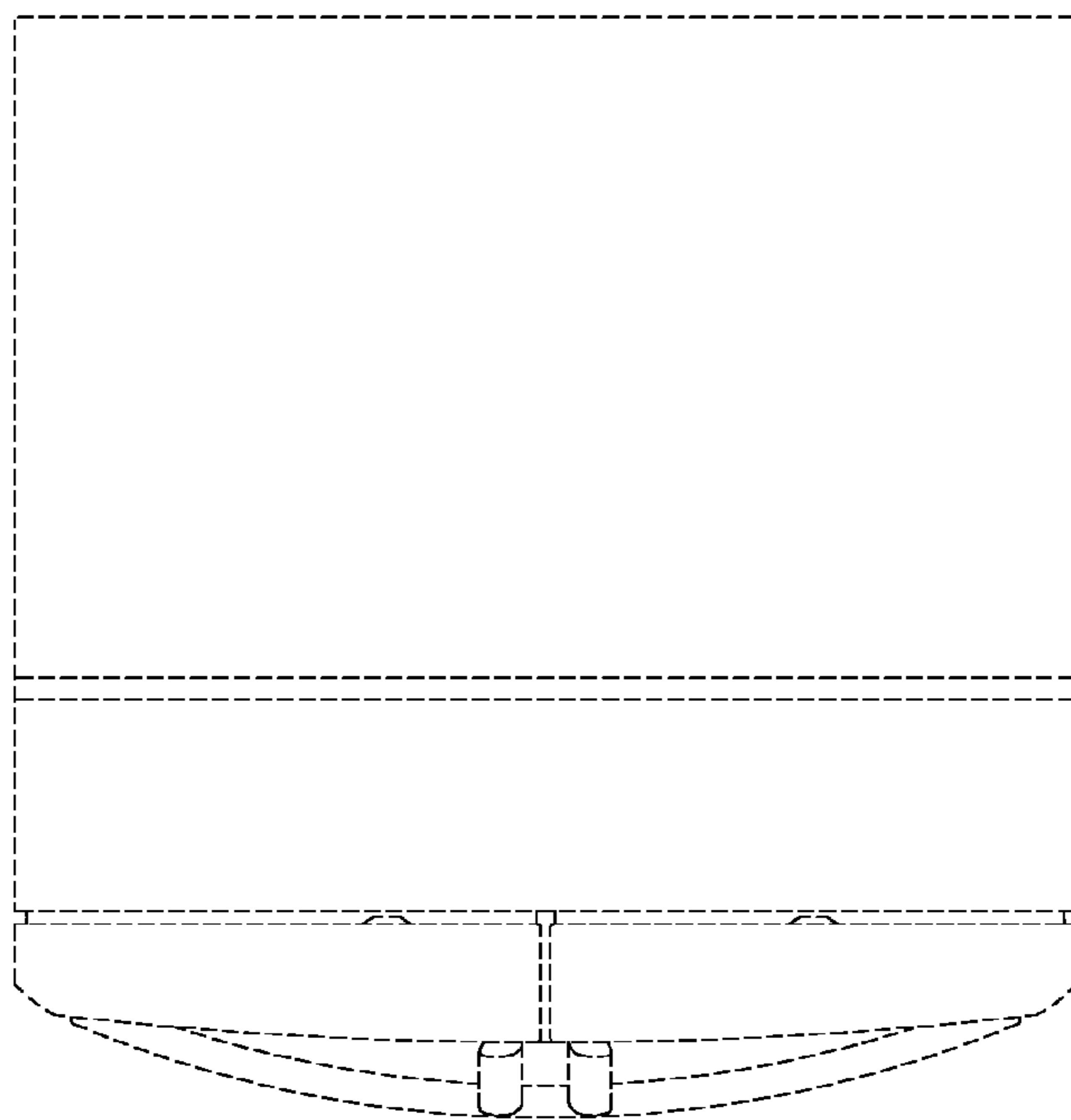


FIG. 7

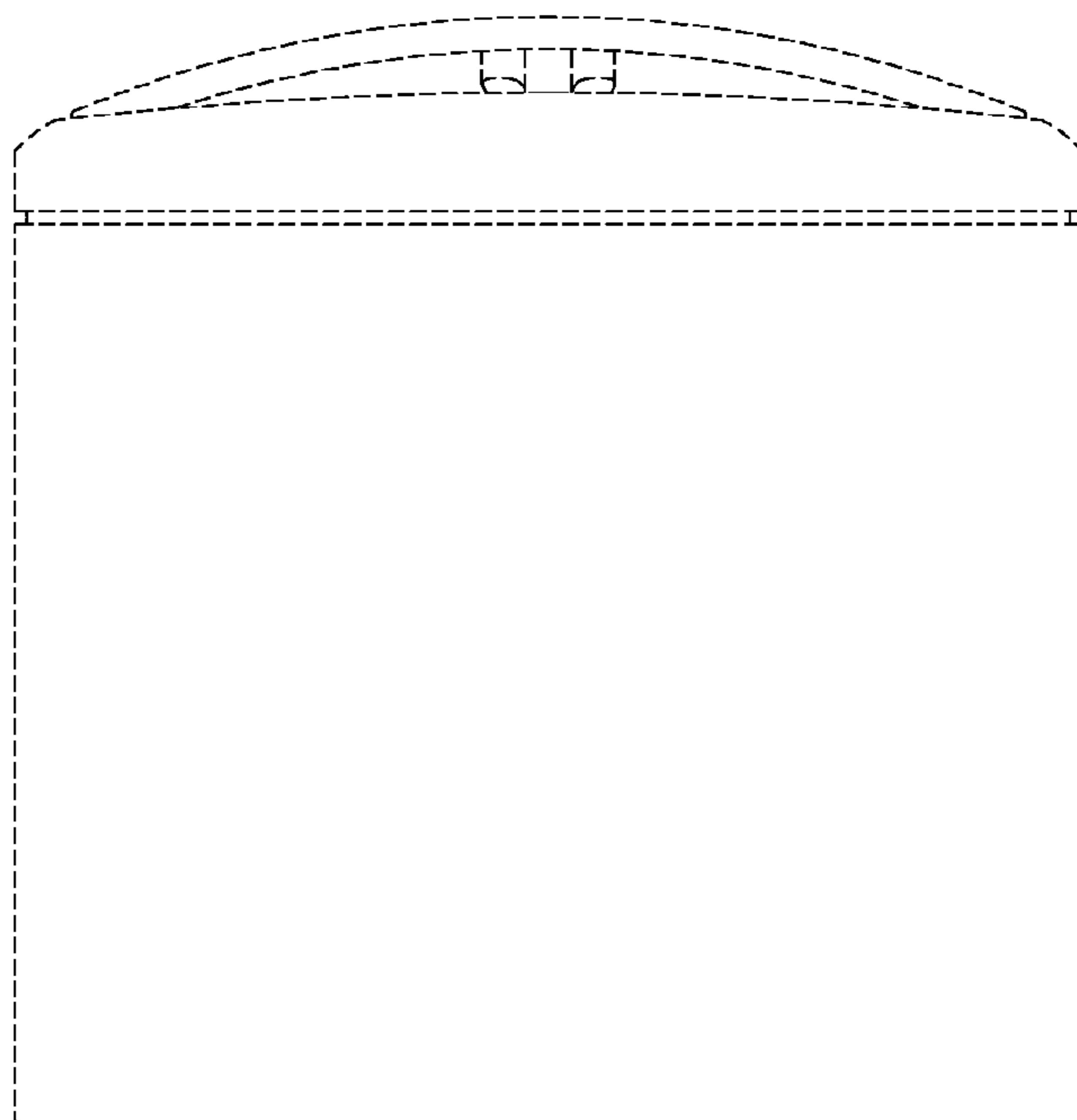


FIG. 8

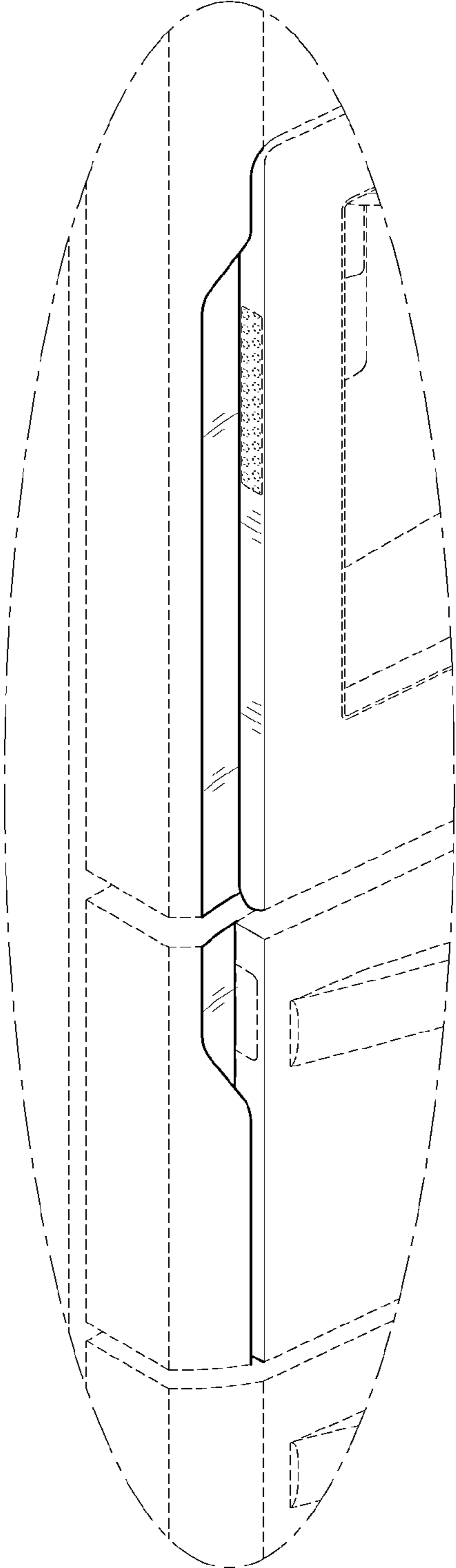


FIG. 9

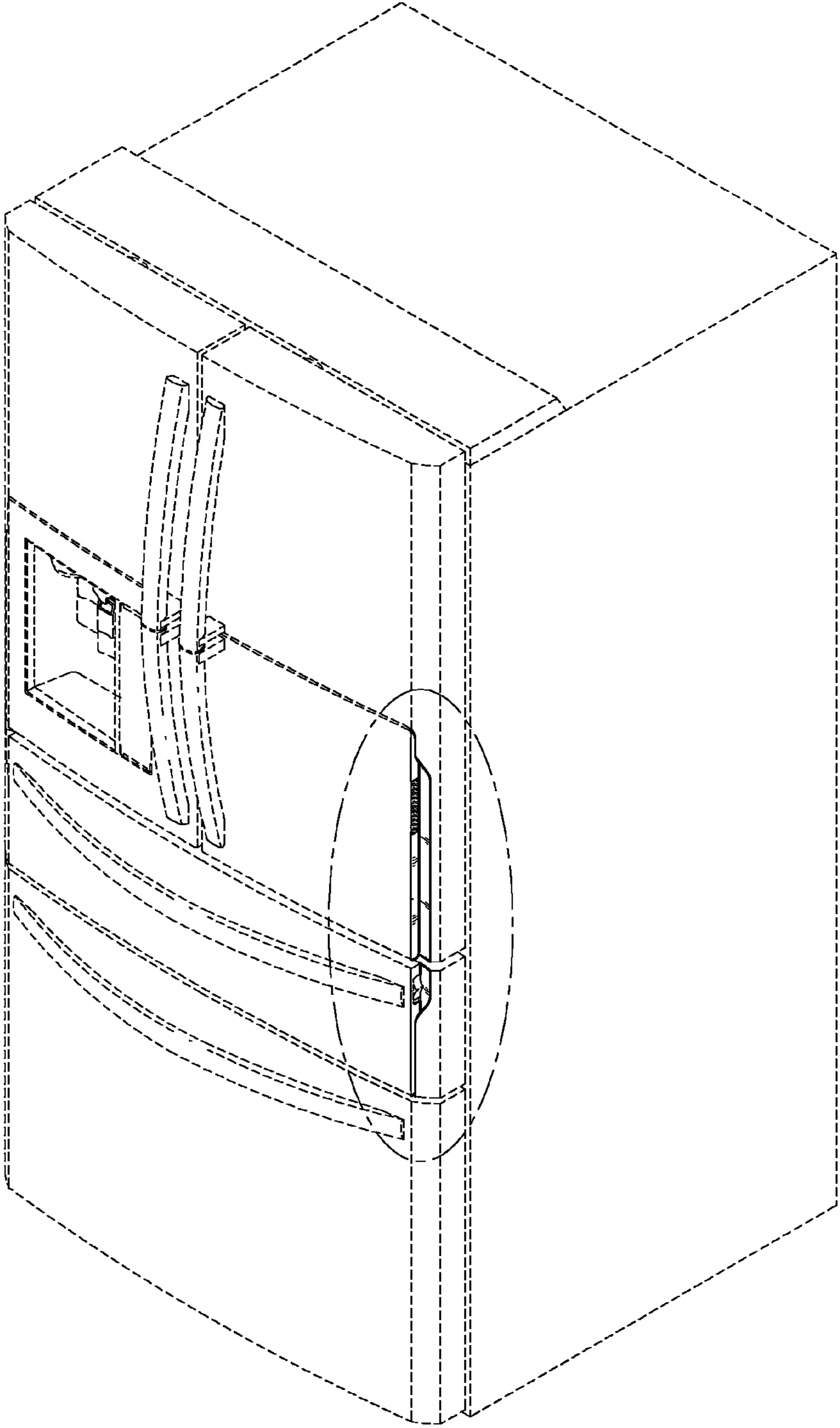


FIG. 10

