



US00D711939S

(12) **United States Design Patent**
Bakker, Jr.

(10) **Patent No.:** **US D711,939 S**

(45) **Date of Patent:** **** Aug. 26, 2014**

(54) **REFRIGERATION FAN HOUSING**

(56) **References Cited**

(71) Applicant: **Michael L. Bakker, Jr.**, Sioux Falls, SD
(US)

U.S. PATENT DOCUMENTS

(72) Inventor: **Michael L. Bakker, Jr.**, Sioux Falls, SD
(US)

D305,229	S	*	12/1989	Milani	D23/370
D338,713	S	*	8/1993	Cox et al.	D23/328
D370,969	S	*	6/1996	Ikeda et al.	D23/380
D395,053	S	*	6/1998	Aske et al.	D15/89
6,311,767	B1	*	11/2001	Inoue et al.	165/80.4
6,980,434	B2	*	12/2005	Ou Yang et al.	361/695
D613,393	S	*	4/2010	Dorsey et al.	D23/397
2005/0088817	A1	*	4/2005	Ou Yang et al.	361/695

(**) Term: **14 Years**

* cited by examiner

(21) Appl. No.: **29/455,652**

Primary Examiner — Thomas Johannes

(22) Filed: **May 23, 2013**

Assistant Examiner — Khawaja Anwar

(51) **LOC (10) Cl.** **15-07**

(74) *Attorney, Agent, or Firm* — Dale J. Ream

(52) **U.S. Cl.**
USPC **D15/89**

(57) **CLAIM**

The ornamental design for a refrigeration fan housing, as shown and described.

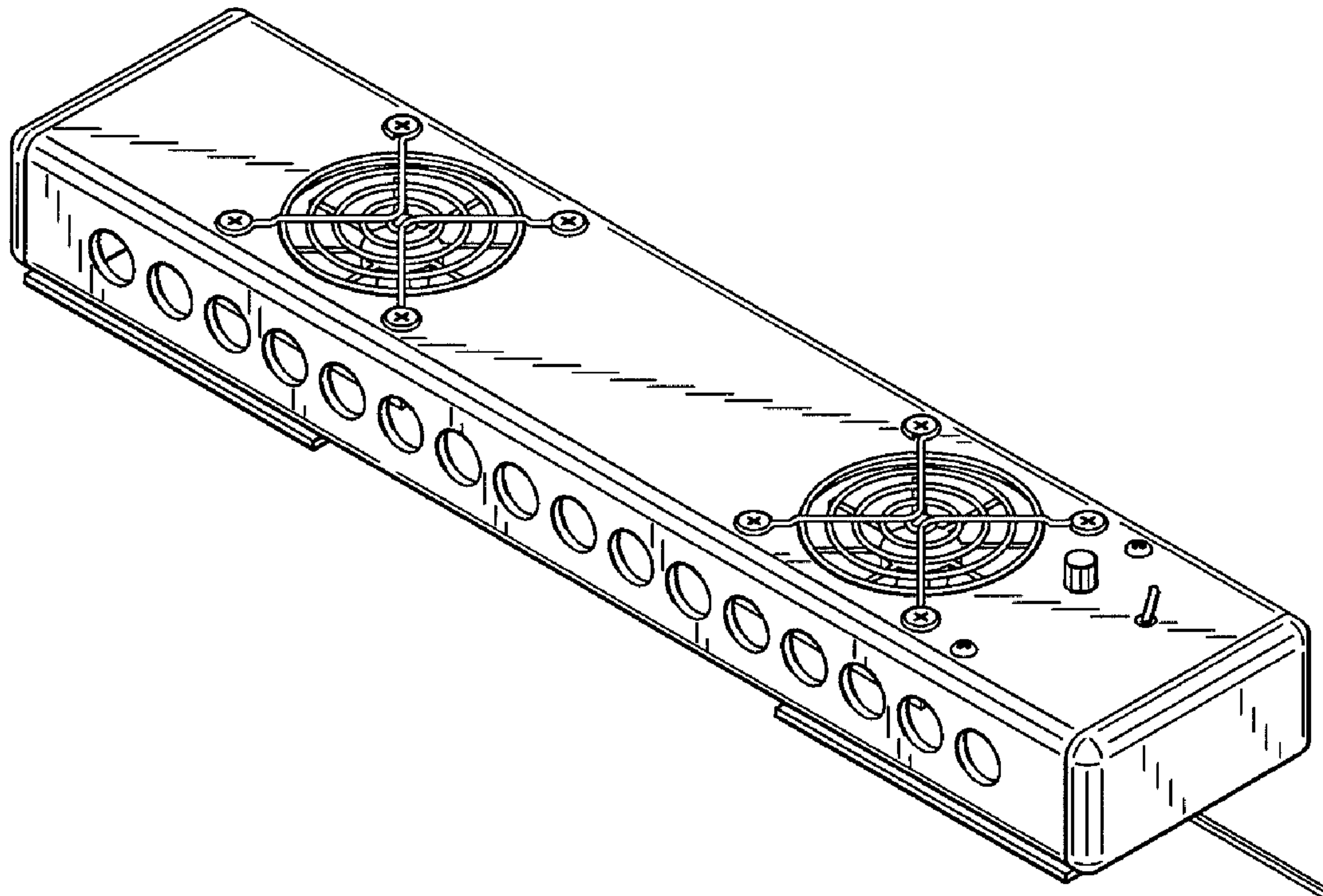
(58) **Field of Classification Search**
USPC D15/79–89, 91; D23/332, 335, 386,
D23/371, 381, 382, 370, 397; 416/63, 179,
416/185, 187, 189; 392/365–369, 373, 374,
392/382, 383; 310/58, 59, 60 A, 60 R,
310/61–65; 248/676; 62/3.6, 3.63, 3.64,
62/246–255, 293, 331, 371, 440–445,
62/467; 415/220, 213.1; 312/400–408,
312/236, 352, 114–119, 128, 138.1

DESCRIPTION

FIG. 1 is a perspective view of a refrigeration fan housing showing my new design;
FIG. 2 is a front view thereof;
FIG. 3 is a back view thereof;
FIG. 4 is a top view thereof;
FIG. 5 is a bottom view thereof;
FIG. 6 is a left side view thereof; and,
FIG. 7 is a right side view thereof.

See application file for complete search history.

1 Claim, 4 Drawing Sheets



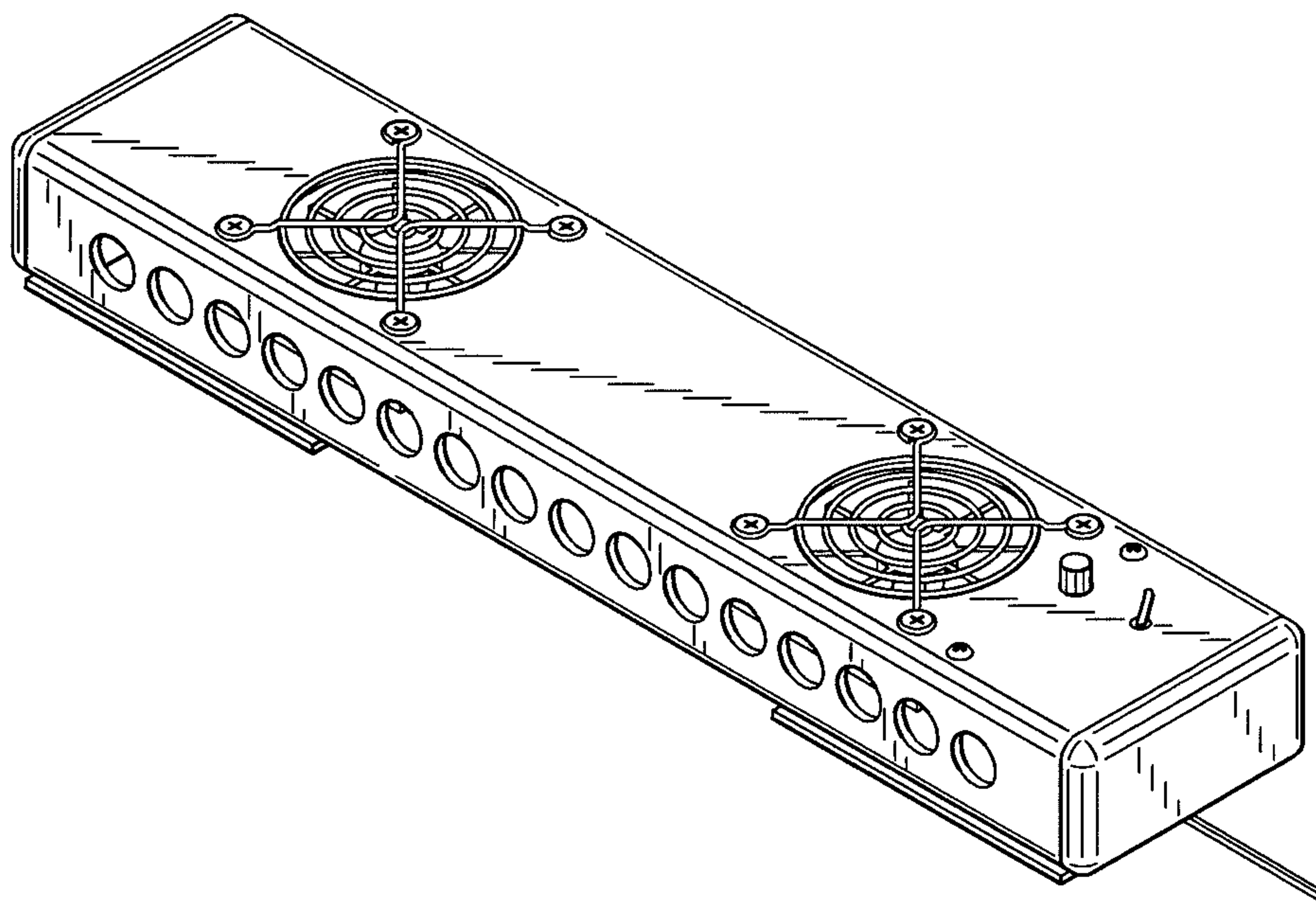


Fig. 1

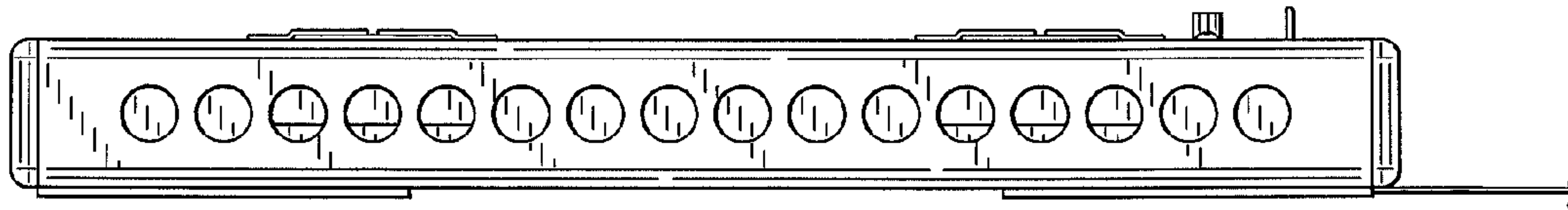


Fig. 2

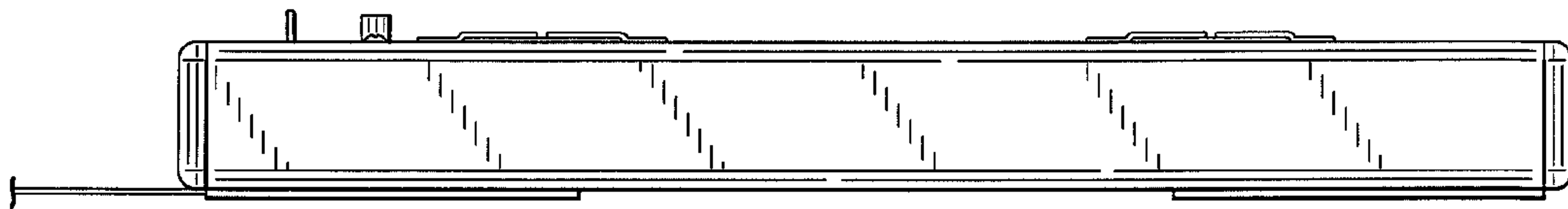


Fig. 3

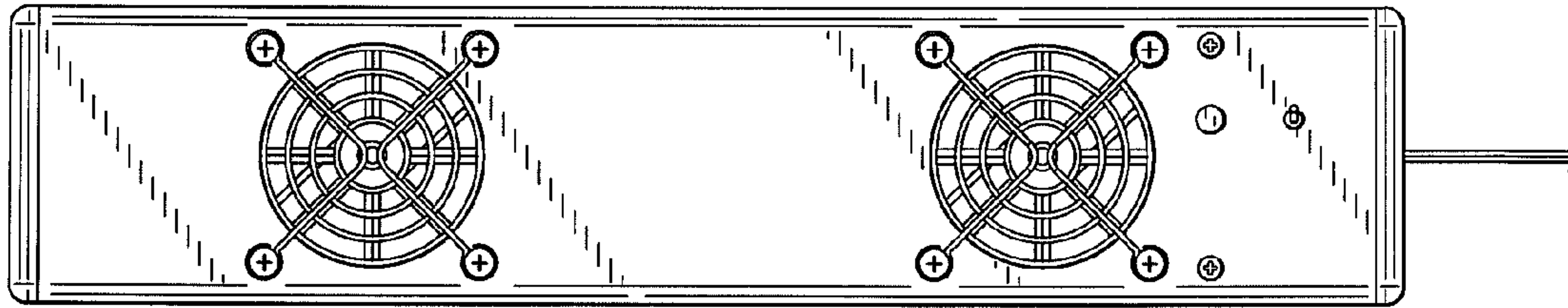


Fig. 4

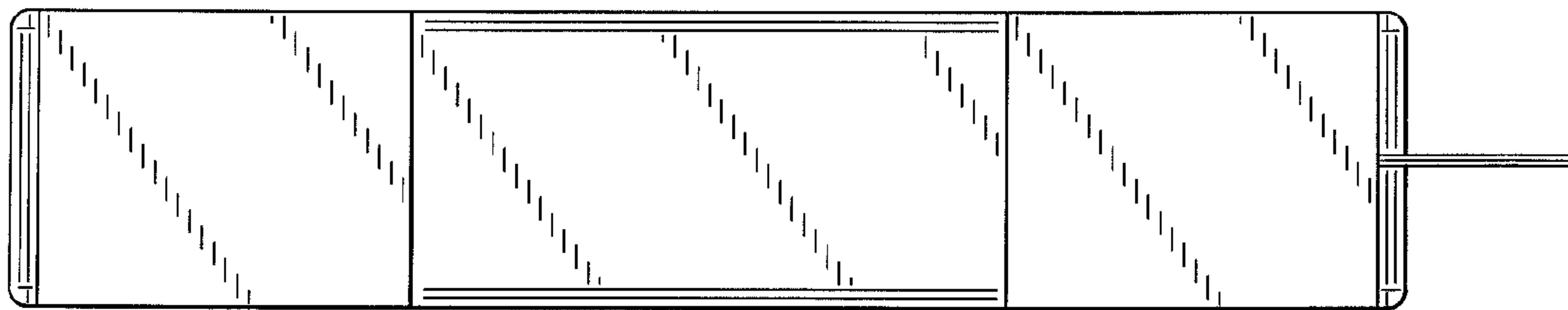


Fig. 5

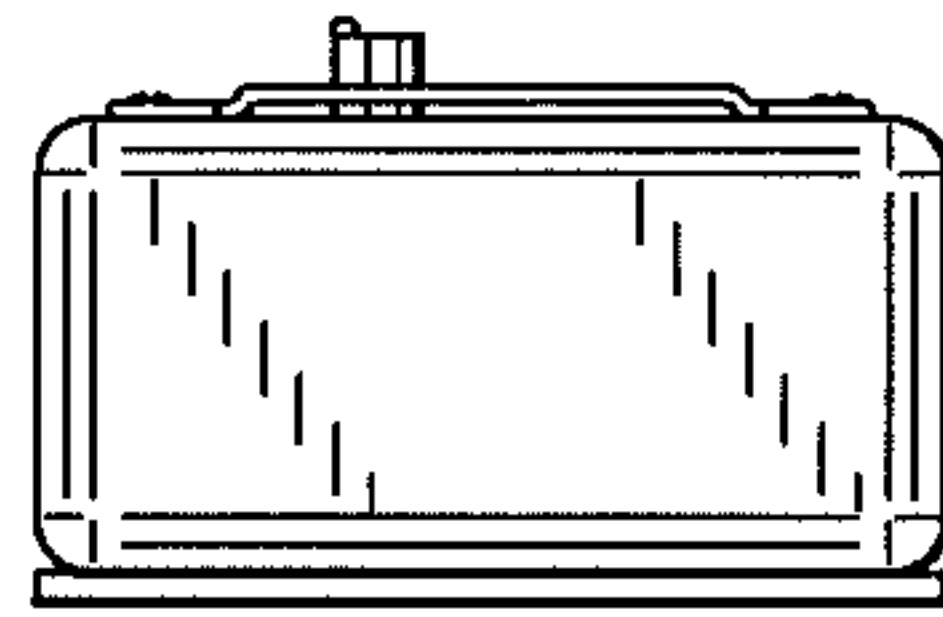


Fig. 6

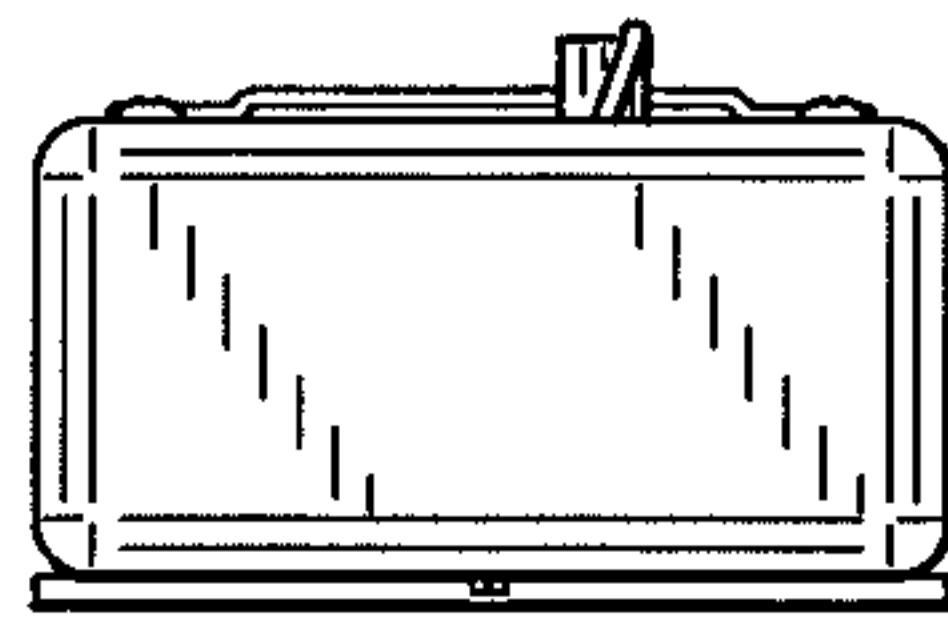


Fig. 7