



US00D711936S

(12) **United States Design Patent**
Hynes

(10) **Patent No.:** **US D711,936 S**

(45) **Date of Patent:** **** Aug. 26, 2014**

- (54) **BLACK WINE RACK FACE**
- (71) Applicant: **Vinotemp International Corporation**,
Rancho Dominguez, CA (US)
- (72) Inventor: **India Hynes**, Newport Beach, CA (US)
- (73) Assignee: **Vinotemp International Corporation**,
Rancho Dominguez, CA (US)
- (**) Term: **14 Years**
- (21) Appl. No.: **29/445,271**
- (22) Filed: **Feb. 8, 2013**
- (51) **LOC (10) Cl.** **15-07**
- (52) **U.S. Cl.**
USPC **D15/89**
- (58) **Field of Classification Search**
USPC D15/79-89; D25/119; 52/716.1, 716.5,
52/716.8, 717.01; D3/304, 313, 315;
D7/550.1, 552.1, 553.1-553.4, 555,
D7/549, 701-708, 600.1-600.4, 510, 511;
D6/406.1, 406.3, 336, 510;
D19/77-92, 99-100; 296/37.1;
220/23.83, 500, 507, 528-529, 592.01,
220/592.02; 211/126.1
See application file for complete search history.

(56) **References Cited**

U.S. PATENT DOCUMENTS

D238,536 S	1/1976	Scherzer	
D284,630 S *	7/1986	Ferdinand	D6/511
D382,735 S *	8/1997	Zapf	D6/492
D415,482 S *	10/1999	Jolson	D14/447
D475,374 S *	6/2003	Segers	D15/89
D478,601 S *	8/2003	Becke	D15/81
D511,013 S *	10/2005	Bullock, Jr.	D25/119
D512,081 S *	11/2005	Chang	D15/81
D519,133 S *	4/2006	Chang	D15/81
D524,830 S *	7/2006	Lei et al.	D15/81

D529,630 S *	10/2006	Zarb	D25/119
7,165,371 B2 *	1/2007	Yoyasu	52/716.5
D550,256 S *	9/2007	Lei et al.	D15/81
D551,262 S *	9/2007	Becke	D15/89
D566,490 S	4/2008	Frentzel	
D625,941 S *	10/2010	Holzer	D6/510
D627,374 S *	11/2010	Yang	D15/81
D630,230 S *	1/2011	Yang	D15/81
D630,231 S *	1/2011	Yang et al.	D15/81
D638,237 S *	5/2011	Holzer	D6/510
D660,327 S *	5/2012	Doberstein et al.	D15/89
D660,461 S *	5/2012	Kotin et al.	D25/119
D660,984 S *	5/2012	Kotin et al.	D25/119
D694,290 S	11/2013	Hottmann et al.	
D700,221 S *	2/2014	Ringemann et al.	D15/89
2005/0258118 A1 *	11/2005	Lee et al.	211/134
2007/0228909 A1 *	10/2007	Hwang et al.	312/408

* cited by examiner

Primary Examiner — Mitchell Siegel

(74) *Attorney, Agent, or Firm* — Kleinberg & Lerner, LLP;
Marvin H. Kleinberg; Marshall A. Lerner

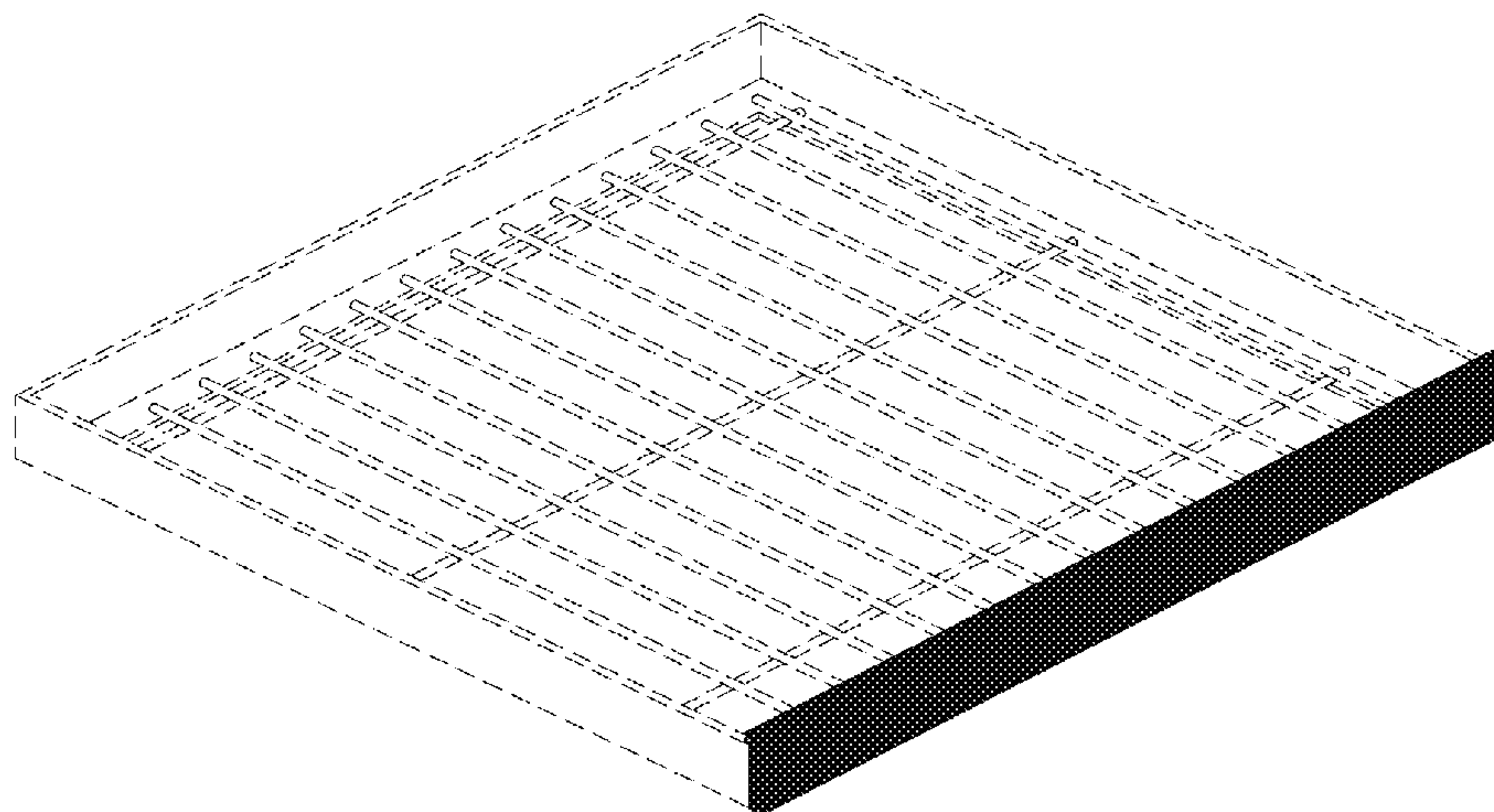
(57) **CLAIM**

The ornamental design for a black wine rack face, as shown and described.

DESCRIPTION

FIG. 1 is a top perspective view of a black wine rack face within a wine cabinet showing my new design;
 FIG. 2 is a top perspective view of a black wine rack face standing alone showing my new design
 FIG. 3 is a front view thereof; FIG. 3 is a top view of the black wine rack face of FIG. 1;
 FIG. 4 is a rear view of the black wine rack face of FIG. 1;
 FIG. 5 is a left side view thereof, the right side being a mirror image thereof;
 FIG. 6 is a top plan view thereof; and,
 FIG. 7 is a bottom plan view thereof.
 Elements shown in dashed, dotted or broken lines form no part of the design.

1 Claim, 3 Drawing Sheets



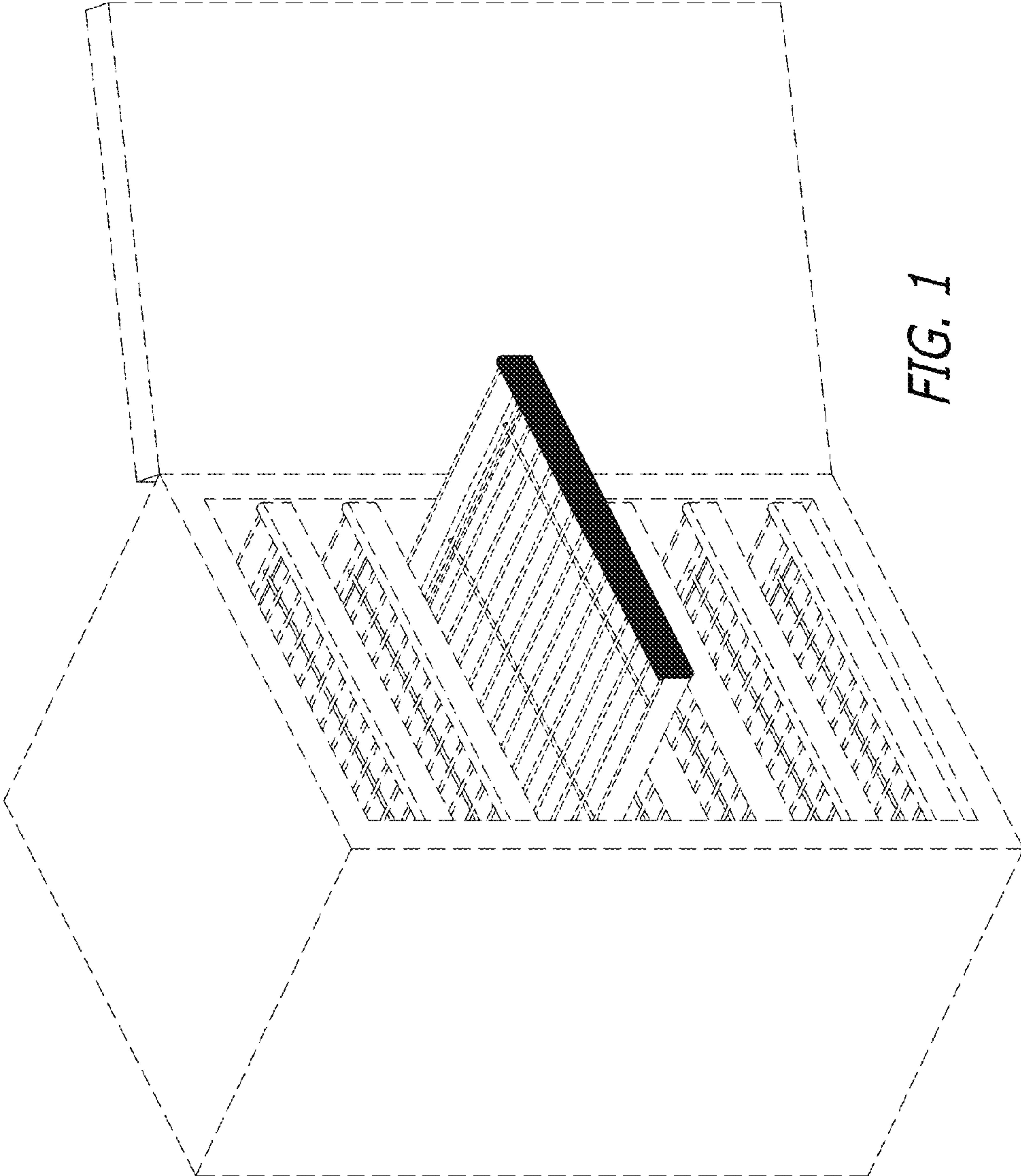


FIG. 1

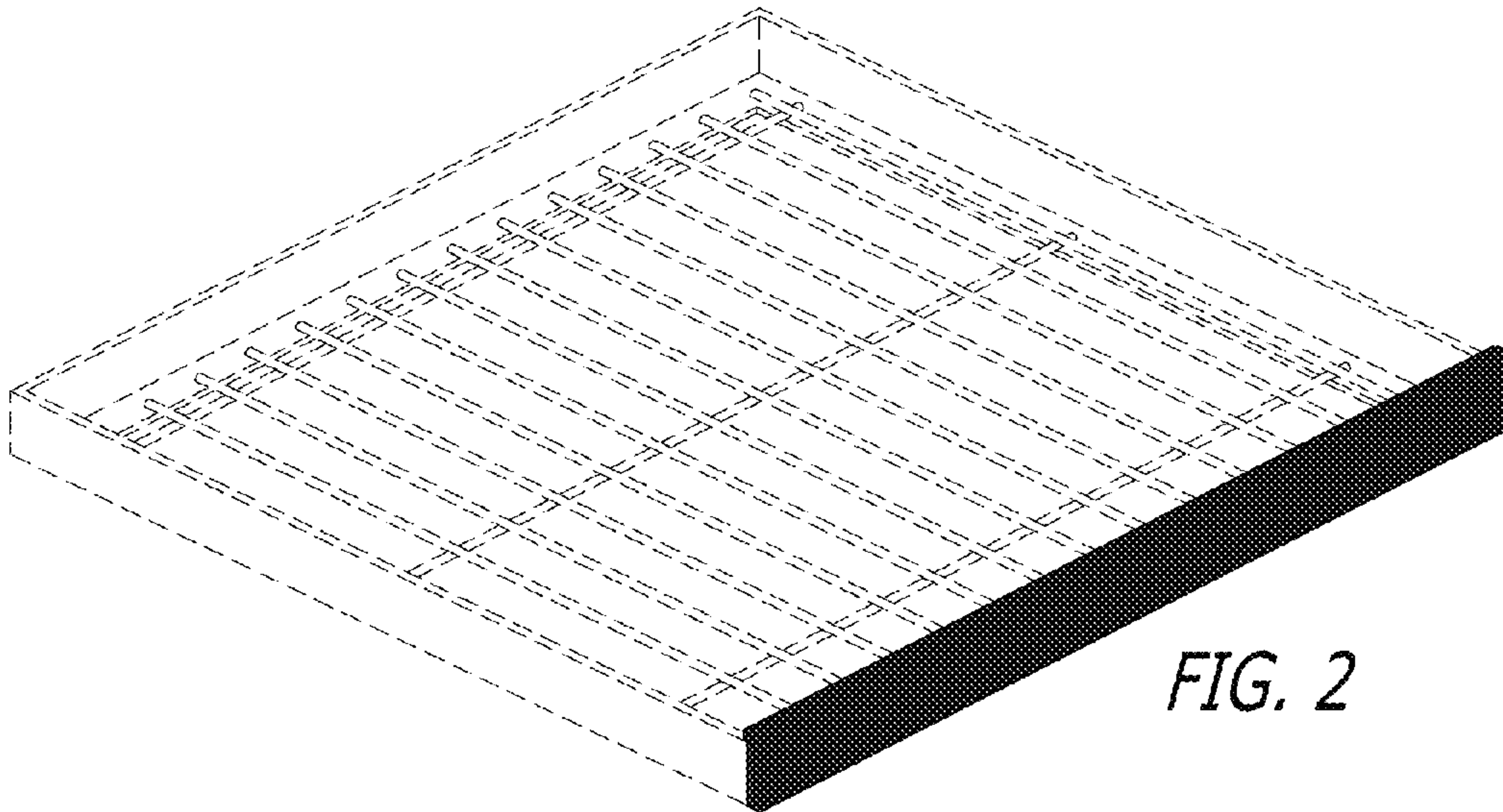


FIG. 2



FIG. 3



FIG. 4

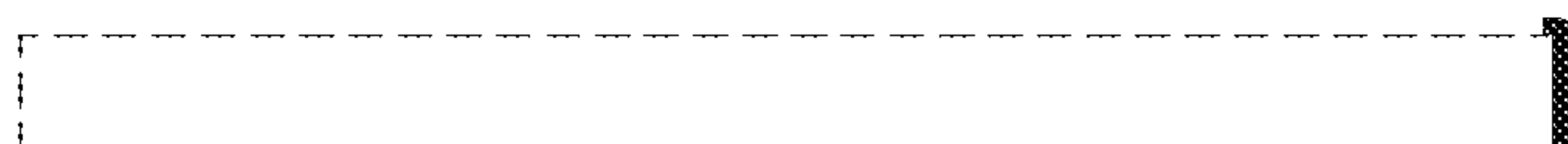


FIG. 5

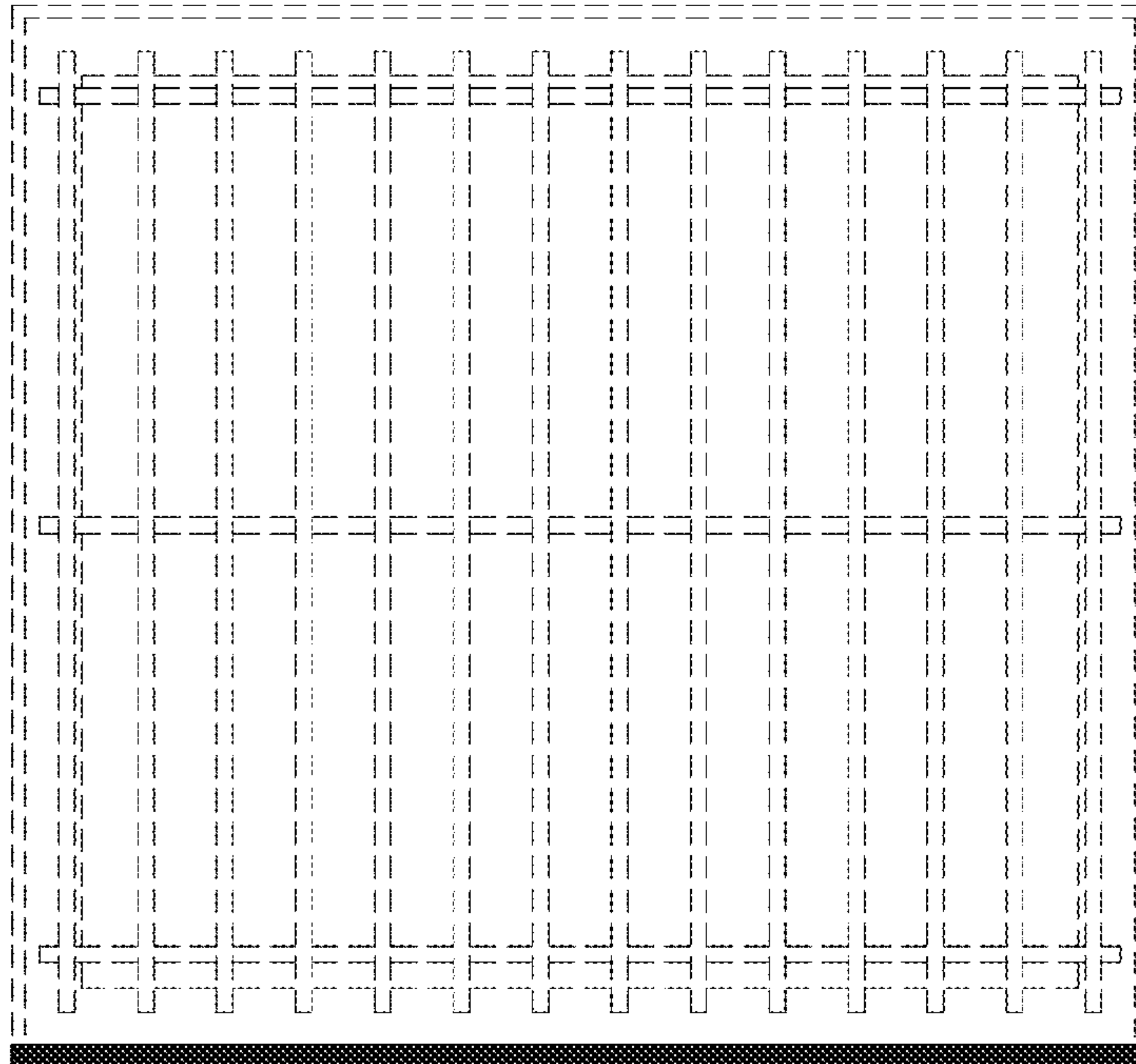


FIG. 6

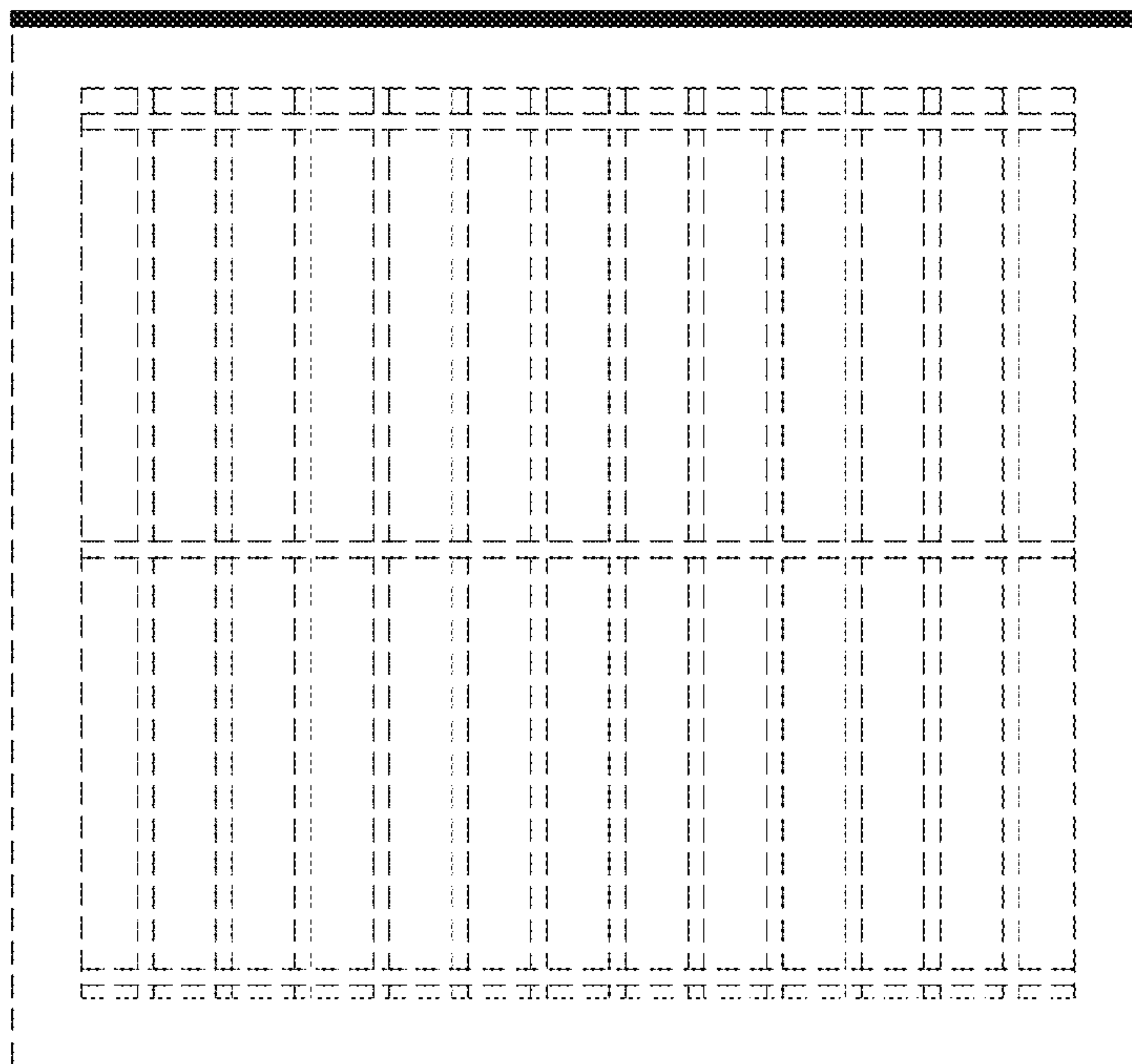


FIG. 7