



US00D711933S

(12) **United States Design Patent**
Hollinger

(10) **Patent No.:** **US D711,933 S**

(45) **Date of Patent:** **** Aug. 26, 2014**

(54) **FROZEN TREAT MAKER WITH TOPPING DISPENSER**

(71) Applicant: **E. Mishan & Sons, Inc.**, New York, NY (US)

(72) Inventor: **Fred Hollinger**, Monroe Township, NJ (US)

(73) Assignee: **E. Mishan & Sons, Inc.**, New York, NY (US)

(**) Term: **14 Years**

(21) Appl. No.: **29/481,479**

(22) Filed: **Feb. 6, 2014**

(51) **LOC (10) Cl.** **15-07**

(52) **U.S. Cl.**
USPC **D15/82**

(58) **Field of Classification Search**
CPC A23G 9/00; A63G 9/04; A63G 9/08;
A63G 9/086; A63G 9/10; A63G 9/12
USPC D15/82; D7/368-371, 307-308; 62/76,
62/305, 309, 342-345, 374, 376;
222/129.1, 311; 362/231, 244, 289,
362/144, 400-108; 366/144, 149, 314, 312
See application file for complete search history.

(56) **References Cited**

U.S. PATENT DOCUMENTS

D184,325 S *	1/1959	Walsh et al.	D15/82
D192,846 S *	5/1962	Wildman	D15/82
D261,890 S *	11/1981	Caspersen	D15/82
D461,991 S *	8/2002	Cunha et al.	D7/307
D466,138 S *	11/2002	Baldonado et al.	D15/82
D535,668 S *	1/2007	Moore	D15/82
D651,619 S *	1/2012	Salin	D15/82
D662,526 S *	6/2012	Tulisi	D15/82
D667,675 S *	9/2012	Bouwknegt et al.	D7/307

D671,568 S *	11/2012	Pelayo et al.	D15/82
D671,963 S *	12/2012	Pelayo et al.	D15/82
D685,399 S *	7/2013	Pelayo et al.	D15/82
D689,102 S *	9/2013	Ugolini et al.	D15/82
D694,287 S *	11/2013	Salin	D15/82
D704,984 S *	5/2014	Hollinger	D7/376
2008/0098765 A1	5/2008	Bond		

FOREIGN PATENT DOCUMENTS

CN 201220388842 U 8/2012

* cited by examiner

Primary Examiner — Mitchell Siegel

(74) *Attorney, Agent, or Firm* — Notaro, Michalos & Zaccaria P.C.

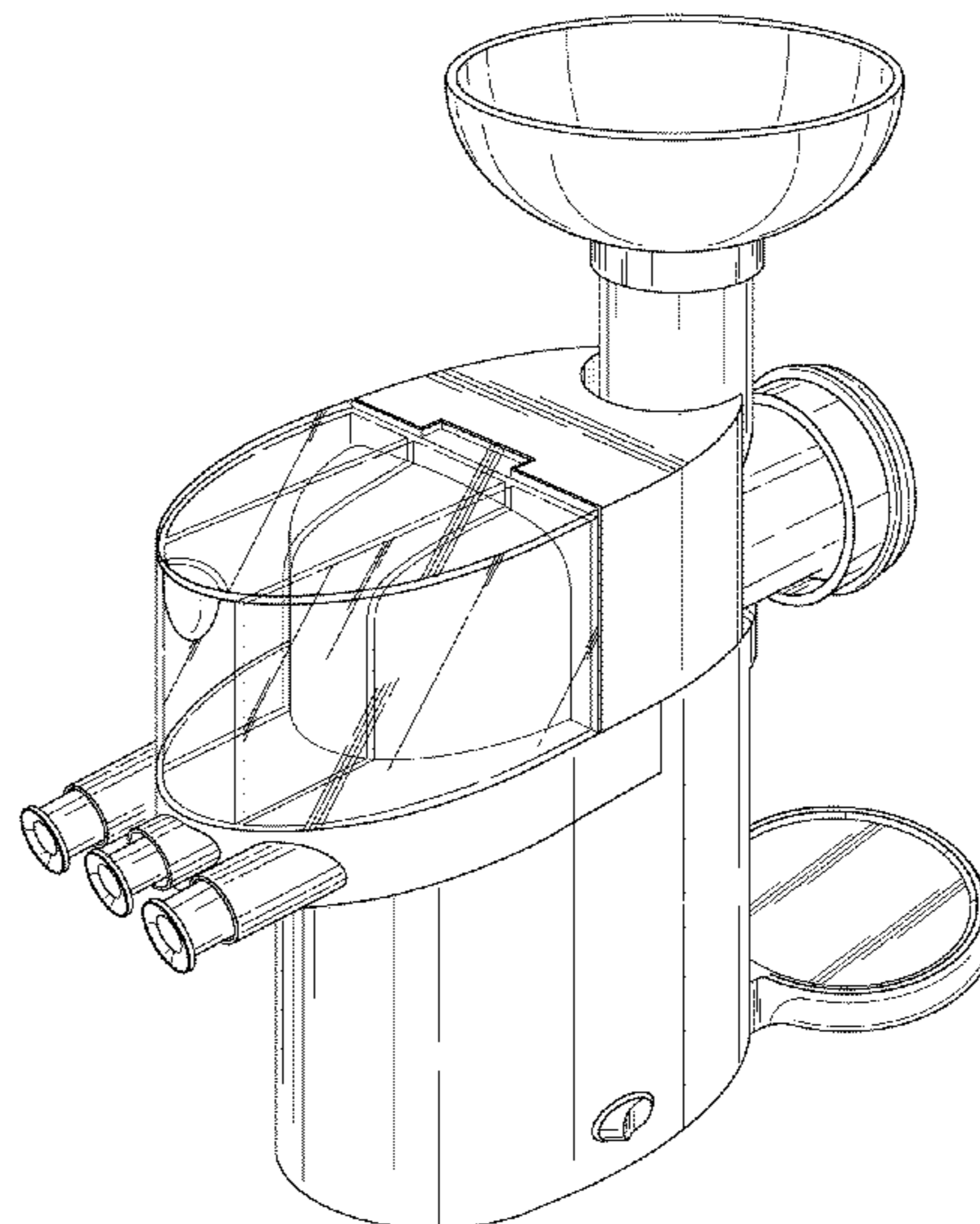
(57) **CLAIM**

The ornamental design for a frozen treat maker with topping dispenser, as shown and described.

DESCRIPTION

FIG. 1 is a top, right rear perspective view of a frozen treat maker with topping dispenser showing my design therefor; FIG. 2 is a front elevational view thereof; FIG. 3 is a rear elevational view thereof; FIG. 4 is a right side elevational view thereof; FIG. 5 is a left side elevational view thereof; FIG. 6 is a top plan view thereof; FIG. 7 is a bottom plan view thereof; FIG. 8 is a top, right rear perspective view showing a second embodiment of my design; FIG. 9 is a front elevational view thereof; FIG. 10 is a rear elevational view thereof; FIG. 11 is a right side elevational view thereof; FIG. 12 is a left side elevational view thereof; FIG. 13 is a top plan view thereof; and, FIG. 14 is a bottom plan view thereof.

1 Claim, 14 Drawing Sheets



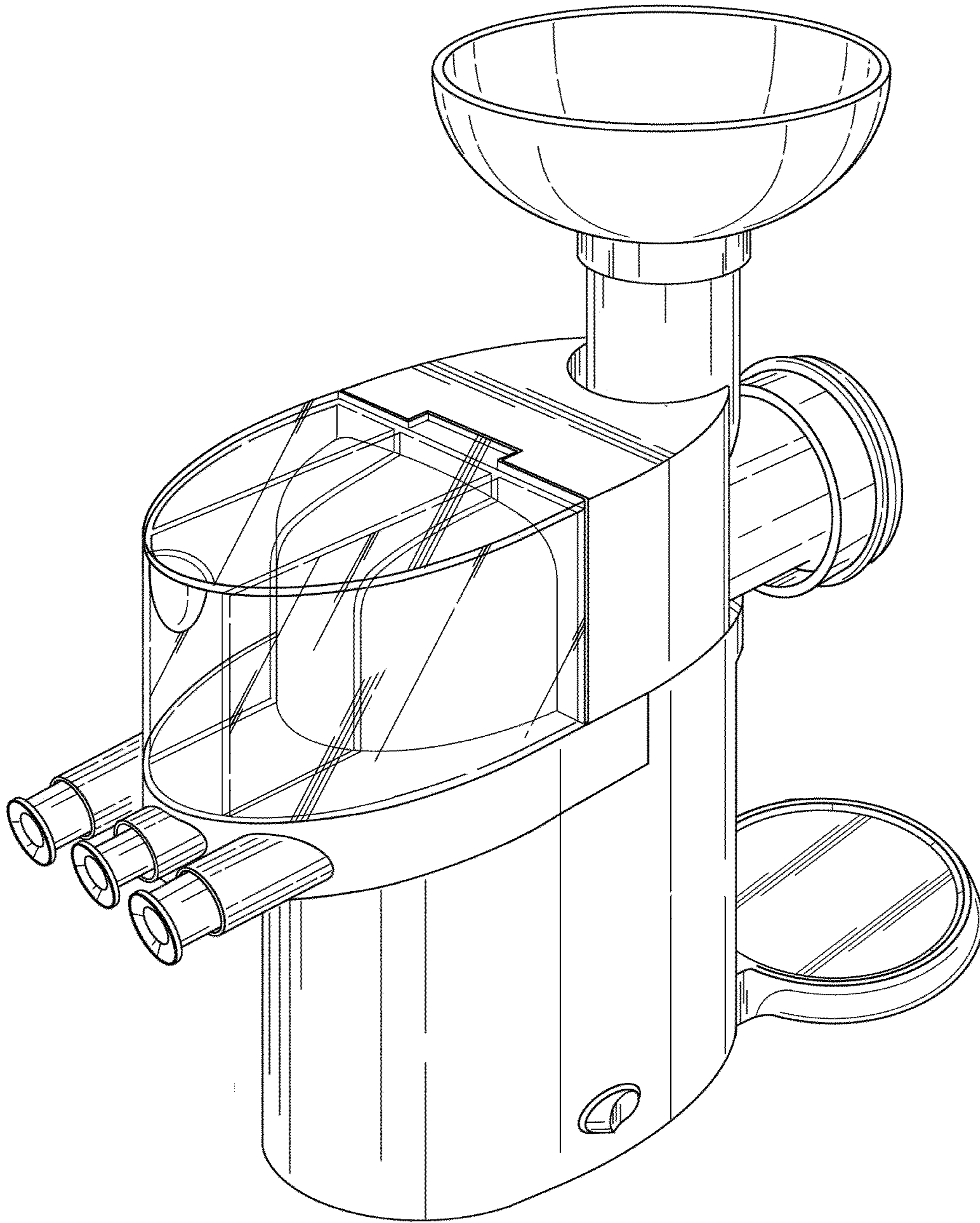


FIG. 1

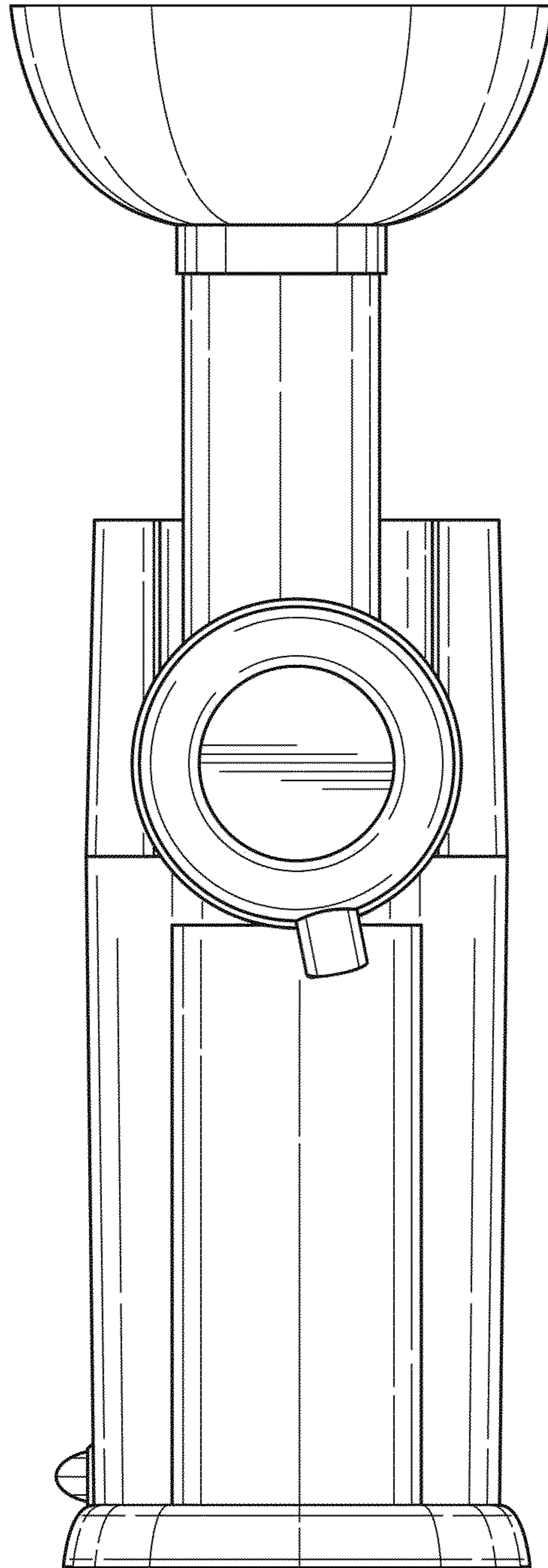


FIG. 2

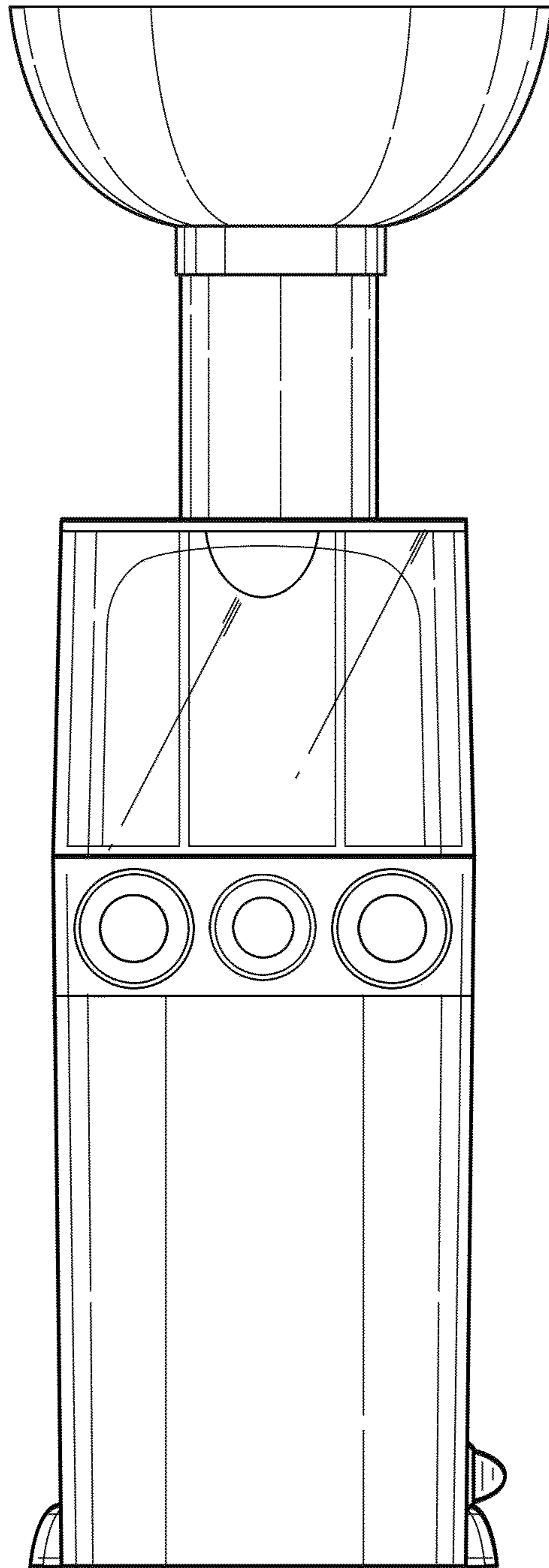


FIG. 3

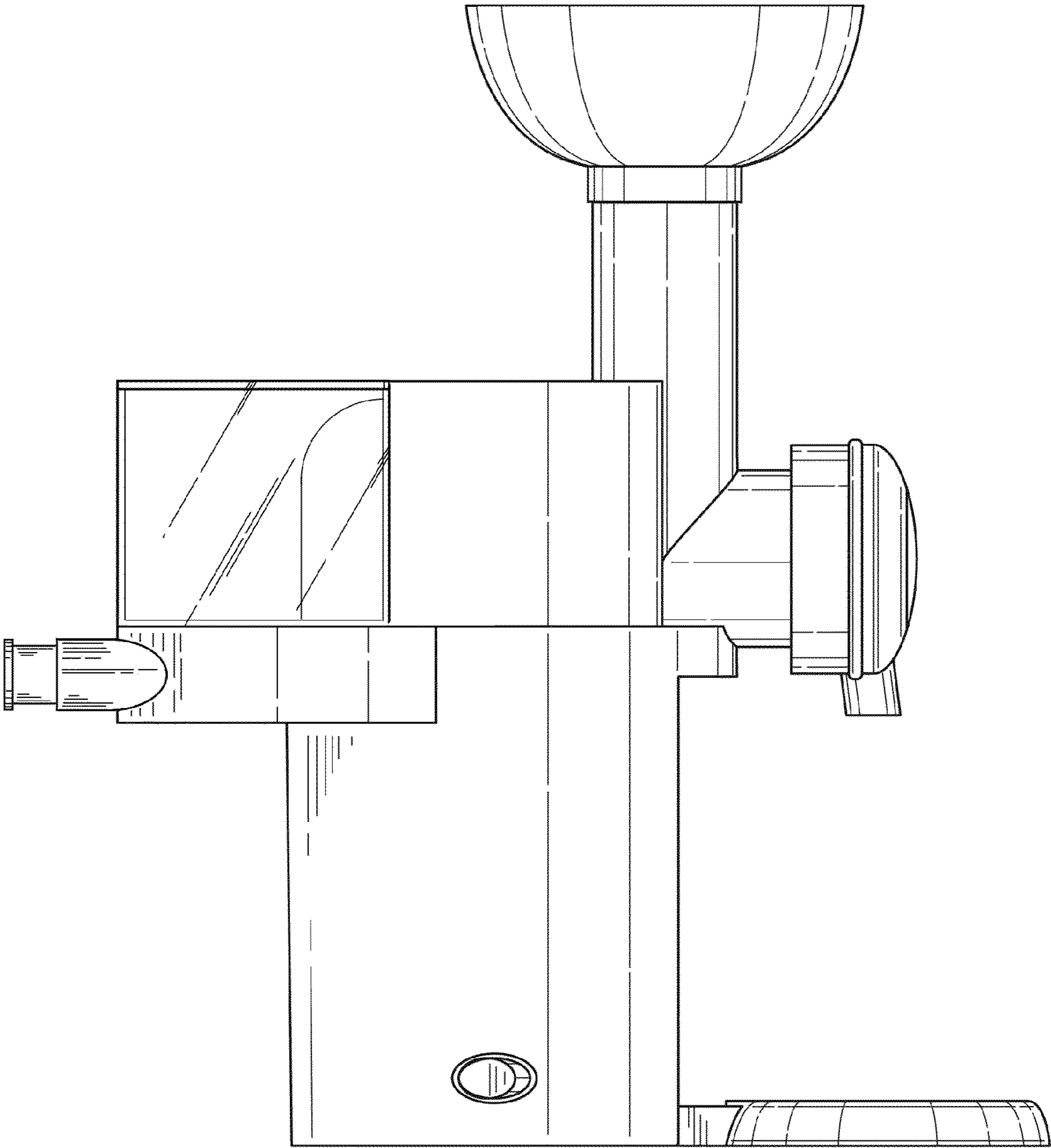


FIG.4

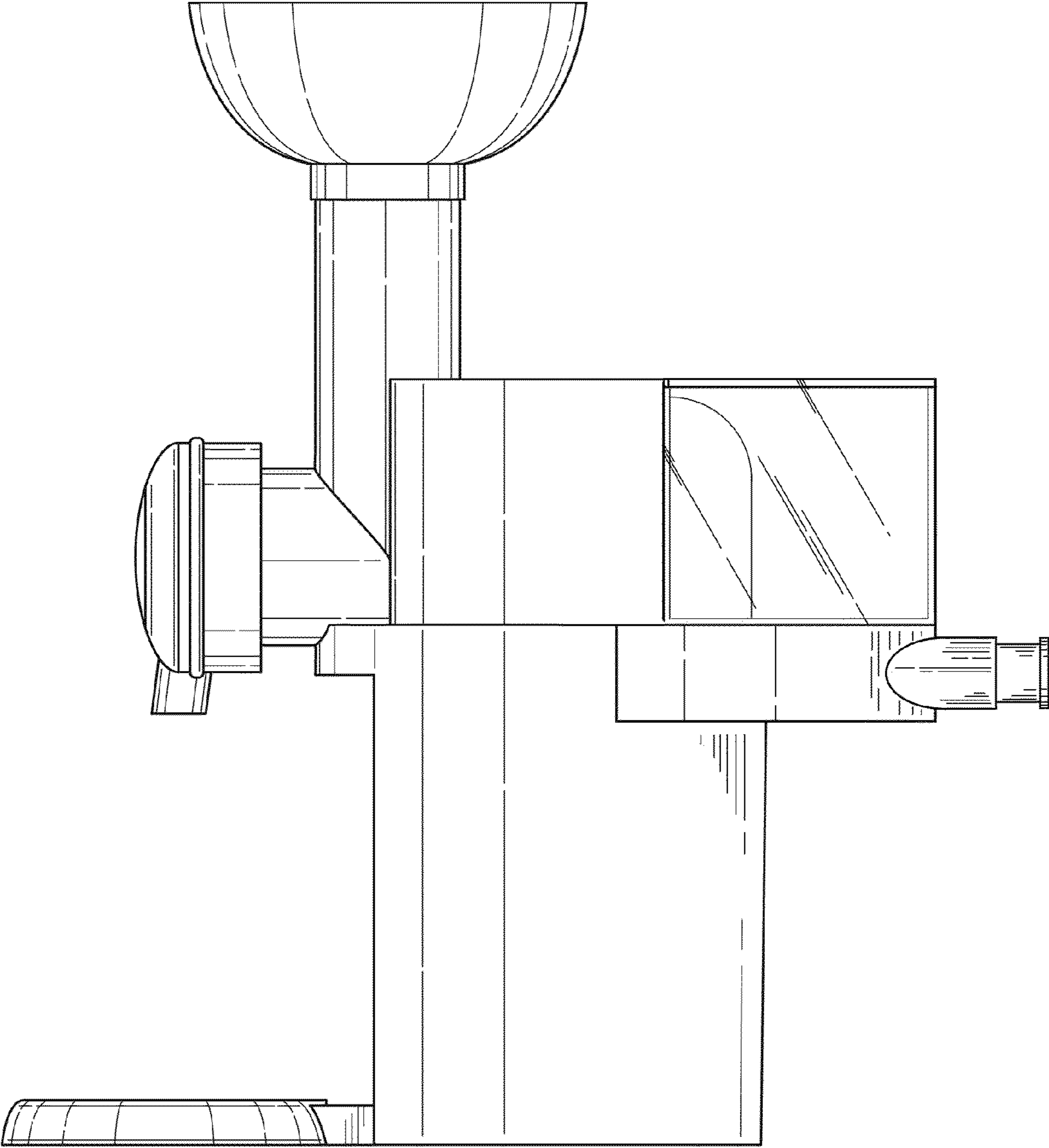


FIG. 5

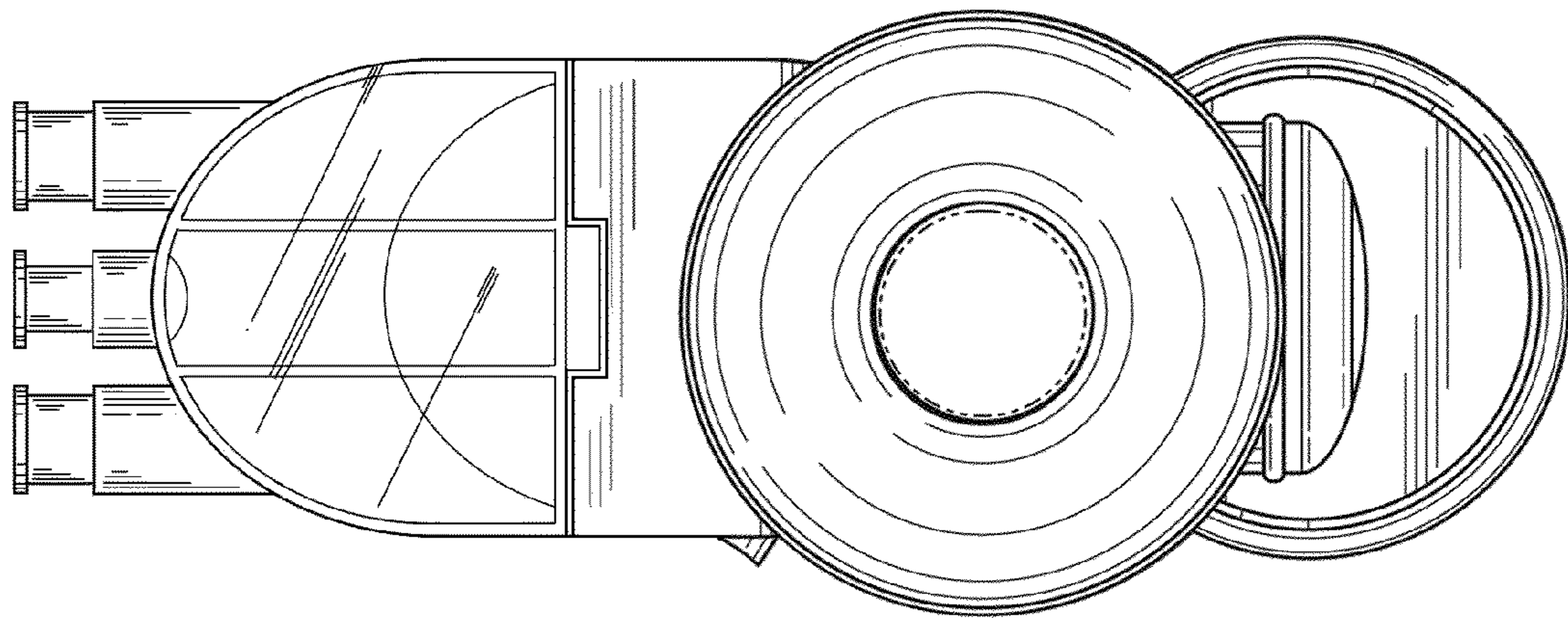


FIG. 6

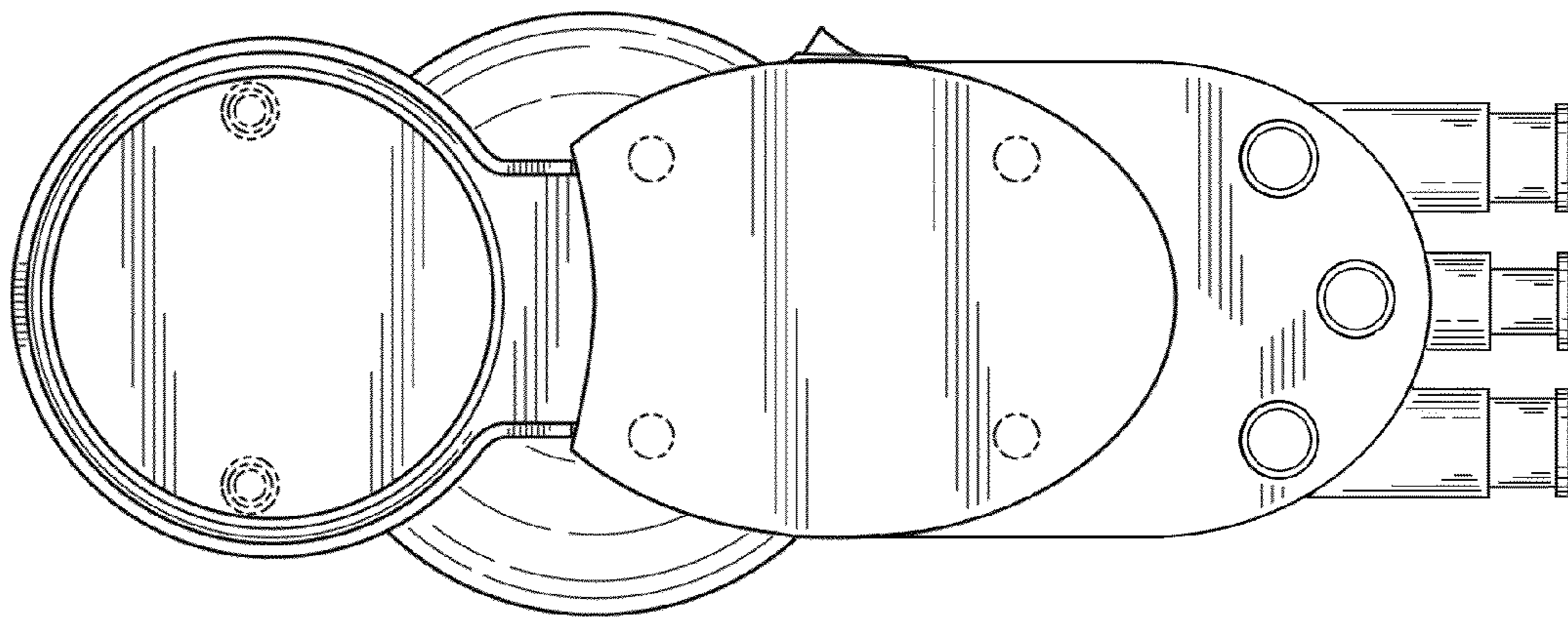


FIG. 7

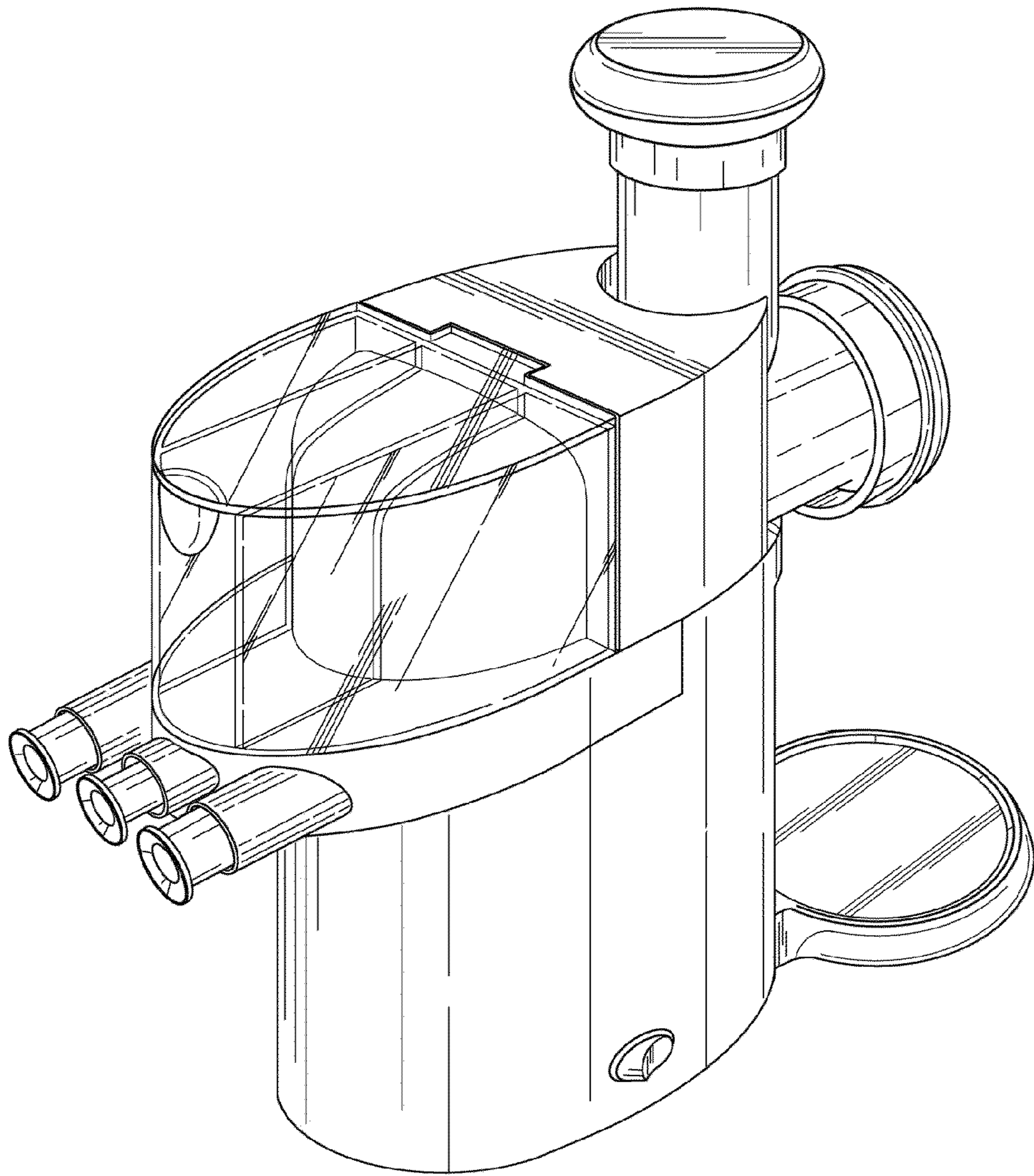


FIG. 8

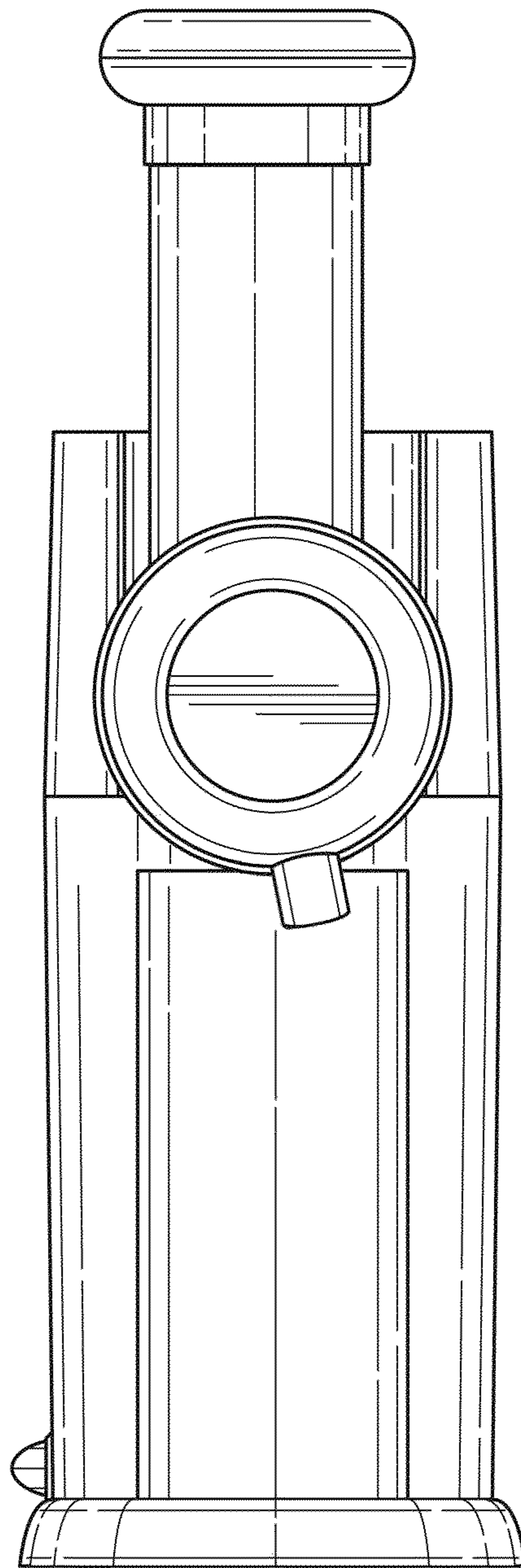


FIG. 9

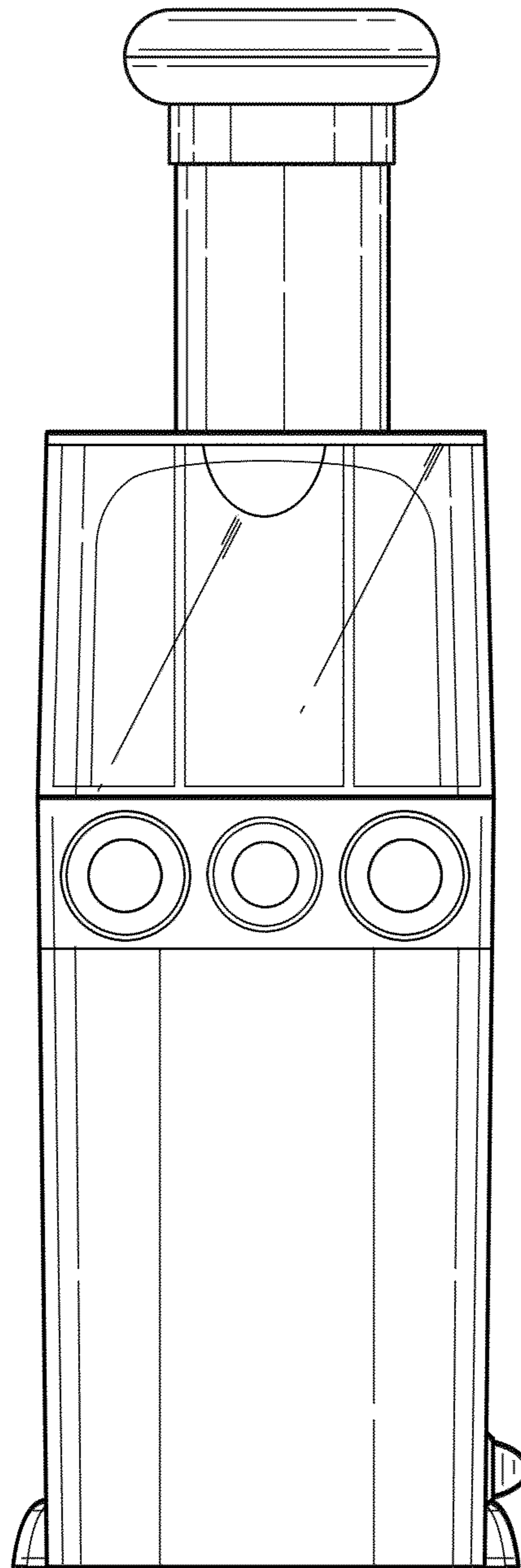


FIG.10

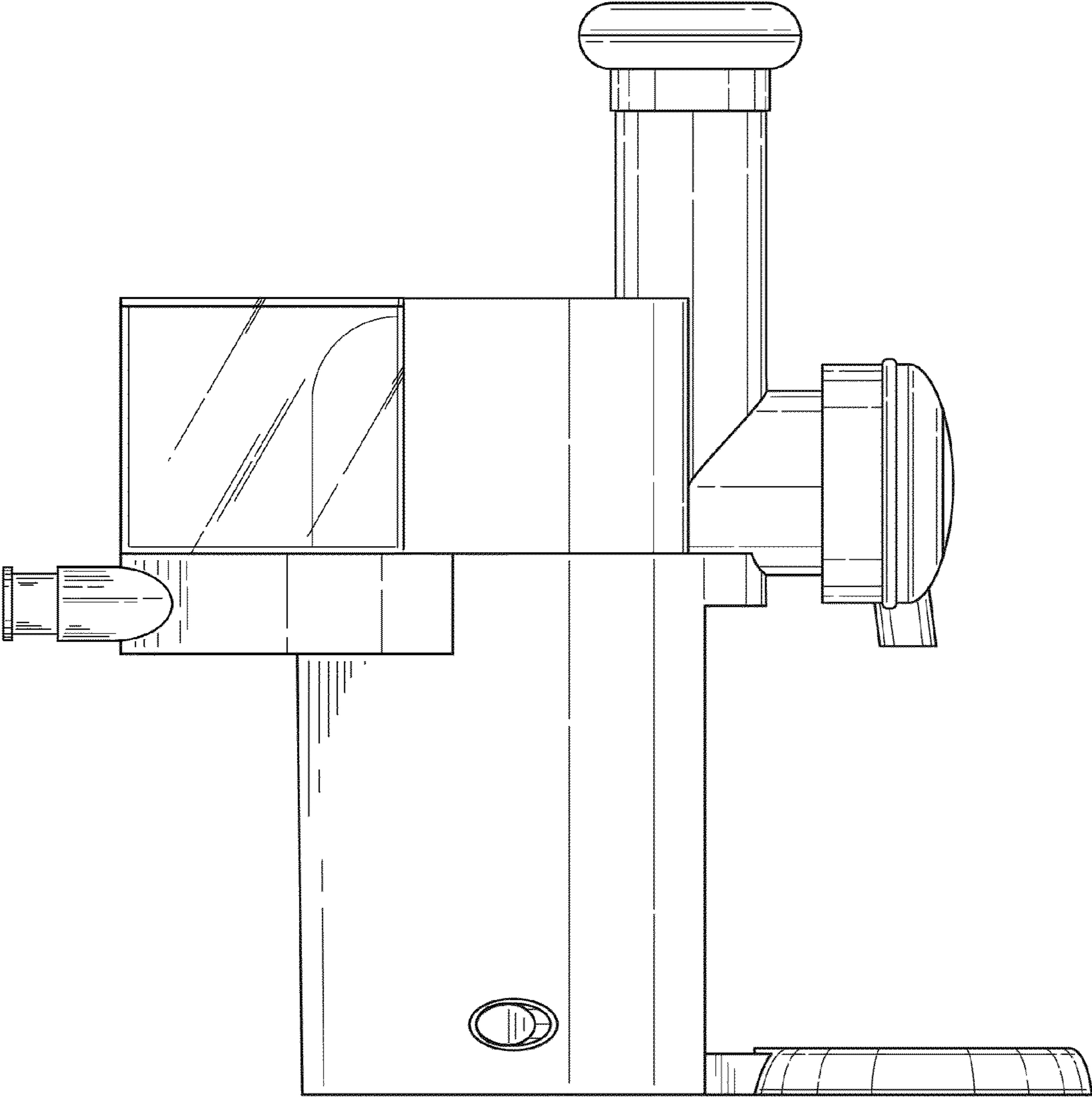


FIG. 11

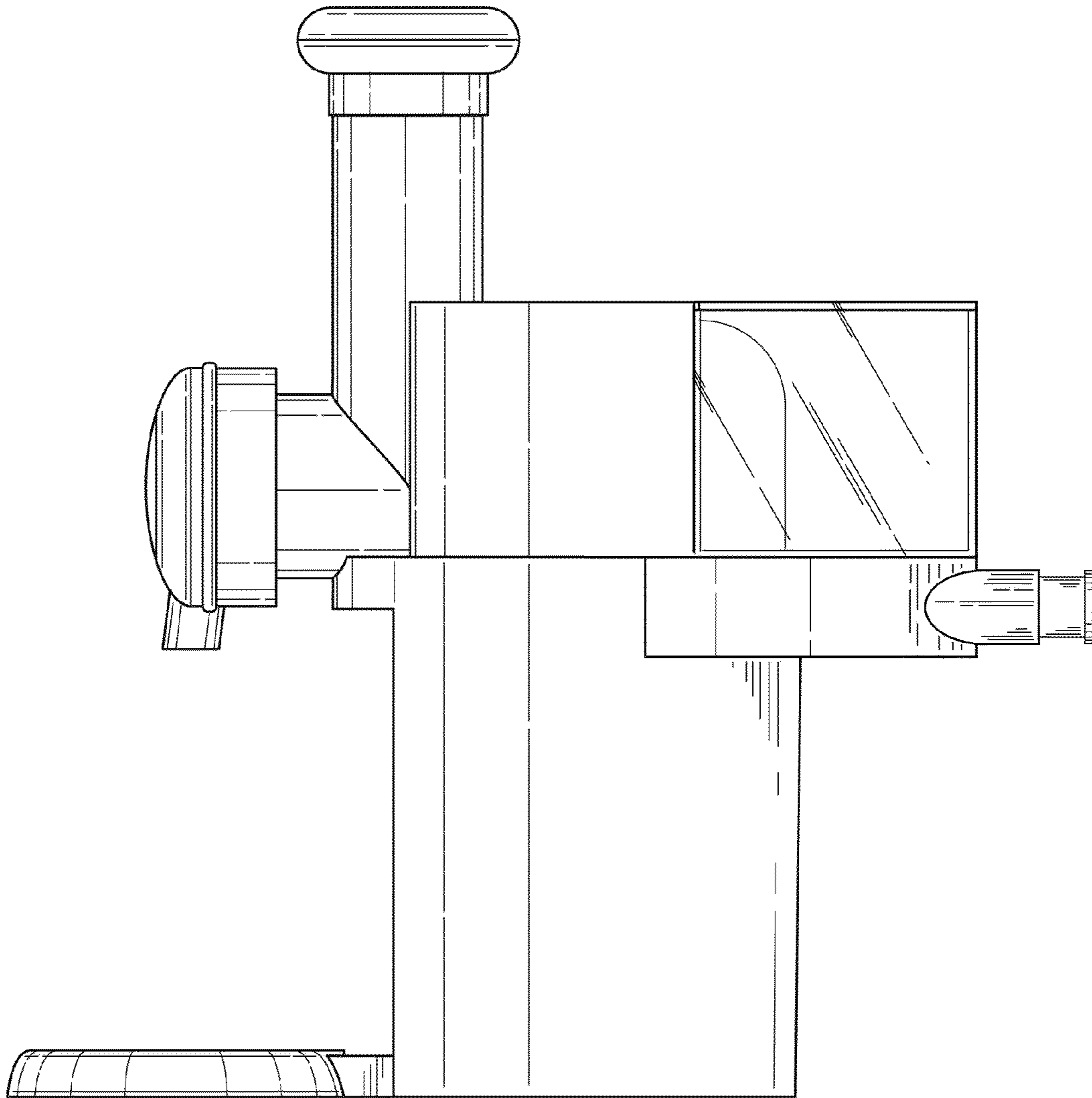


FIG.12

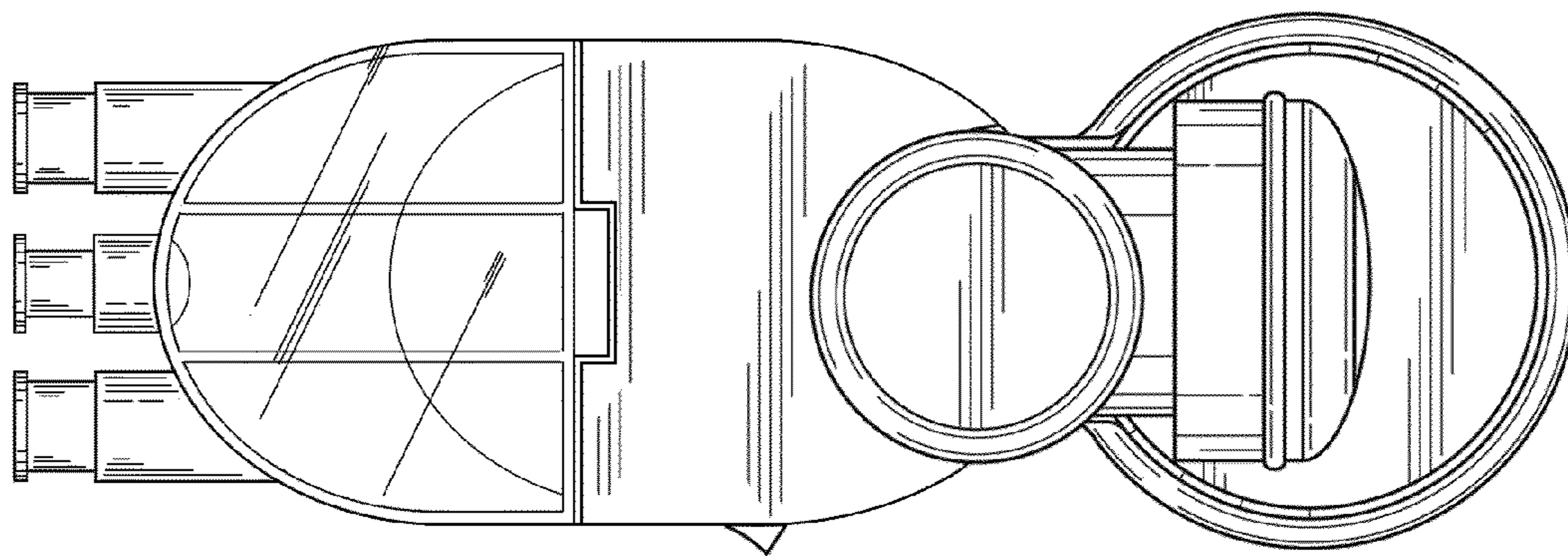


FIG.13

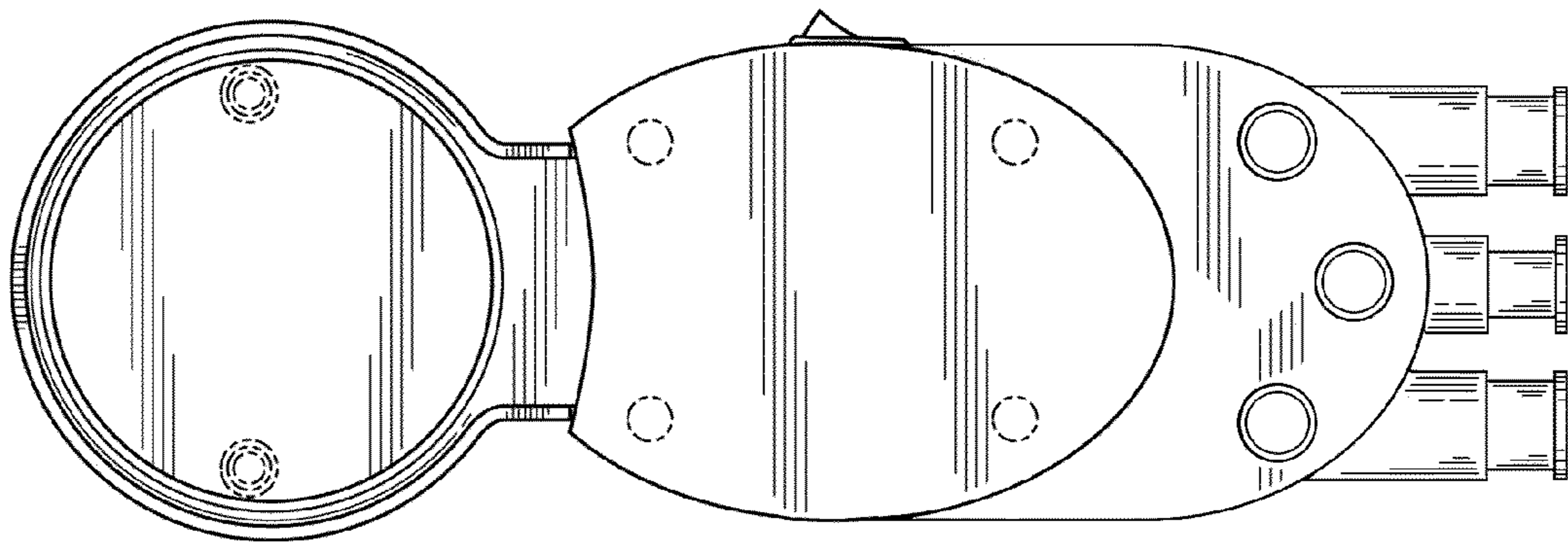


FIG. 14