



US00D711932S

(12) **United States Design Patent**
Kilduff et al.

(10) **Patent No.:** **US D711,932 S**

(45) **Date of Patent:** **** Aug. 26, 2014**

(54) **FROZEN CONFECTION CONTAINER**

(56) **References Cited**

(71) Applicants: **Edward Kilduff**, New York, NY (US);
Dean B. Chapman, New York, NY
(US); **Sung N. Truong**, Brooklyn, NY
(US)

U.S. PATENT DOCUMENTS

| | | | | |
|--------------|--------|----------------|-------|--------|
| D419,387 S * | 1/2000 | Hansen | | D7/606 |
| D478,100 S * | 8/2003 | Wade | | D15/82 |
| D613,566 S * | 4/2010 | Chapman et al. | | D7/672 |
| D617,352 S * | 6/2010 | Pryor et al. | | D15/82 |
| D666,225 S * | 8/2012 | Lee | | D15/82 |
| D681,073 S * | 4/2013 | Kilduff | | D15/82 |

(72) Inventors: **Edward Kilduff**, New York, NY (US);
Dean B. Chapman, New York, NY
(US); **Sung N. Truong**, Brooklyn, NY
(US)

* cited by examiner

Primary Examiner — Thomas Johannes

Assistant Examiner — Khawaja Anwar

(73) Assignee: **Freshlink Product Development, LLC**,
New York, NY (US)

(74) *Attorney, Agent, or Firm* — Klauber & Jackson LLC

(**) Term: **14 Years**

(57) **CLAIM**

The ornamental design for a frozen confection container, as shown and described.

(21) Appl. No.: **29/453,405**

DESCRIPTION

(22) Filed: **Apr. 29, 2013**

FIG. 1 is a front view of the frozen confection container of our new design;

FIG. 2 is a rear view thereof;

FIG. 3 is a left side view thereof;

FIG. 4 is a right side view thereof;

FIG. 5 is a top view thereof;

FIG. 6 is a bottom view thereof;

FIG. 7 is a left front perspective view showing the top, front and left side of the frozen confection container in the closed position;

FIG. 8 is a left front perspective view like that of FIG. 7, showing the frozen confection container with a fill cap in the open position; and,

FIG. 9 is a left front perspective view like that of FIG. 7; showing the frozen confection container in the open position.

Related U.S. Application Data

(63) Continuation-in-part of application No. 29/387,378, filed on Mar. 11, 2011, now Pat. No. Des. 681,073.

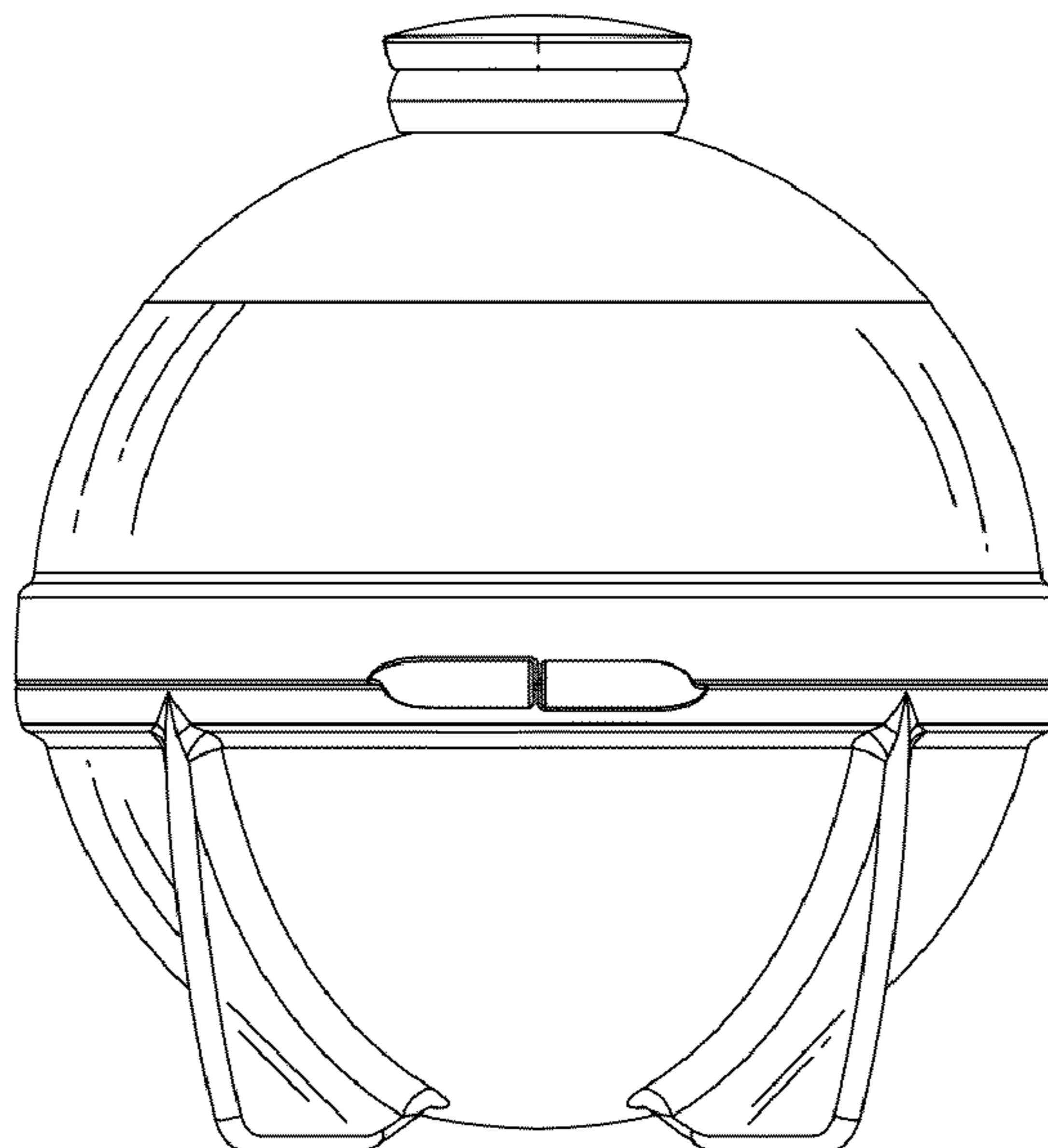
(51) **LOC (10) Cl.** **15-07**

(52) **U.S. Cl.**
USPC **D15/82**

(58) **Field of Classification Search**
USPC D15/79-91; D7/371, 601, 602,
D7/605-609; 62/3.6, 3.63, 3.64, 293, 467;
312/400-408

See application file for complete search history.

1 Claim, 4 Drawing Sheets



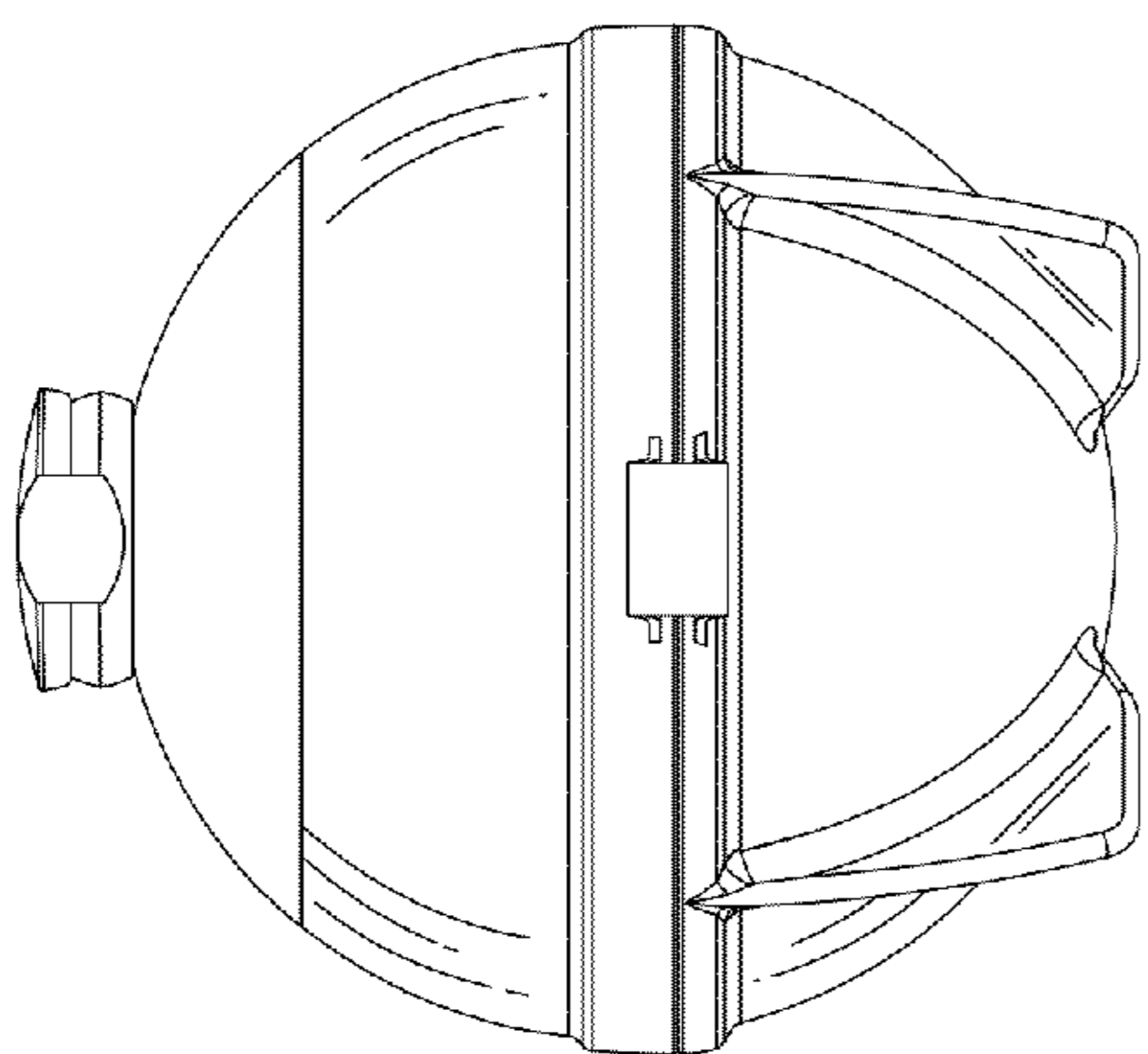


Fig. 1

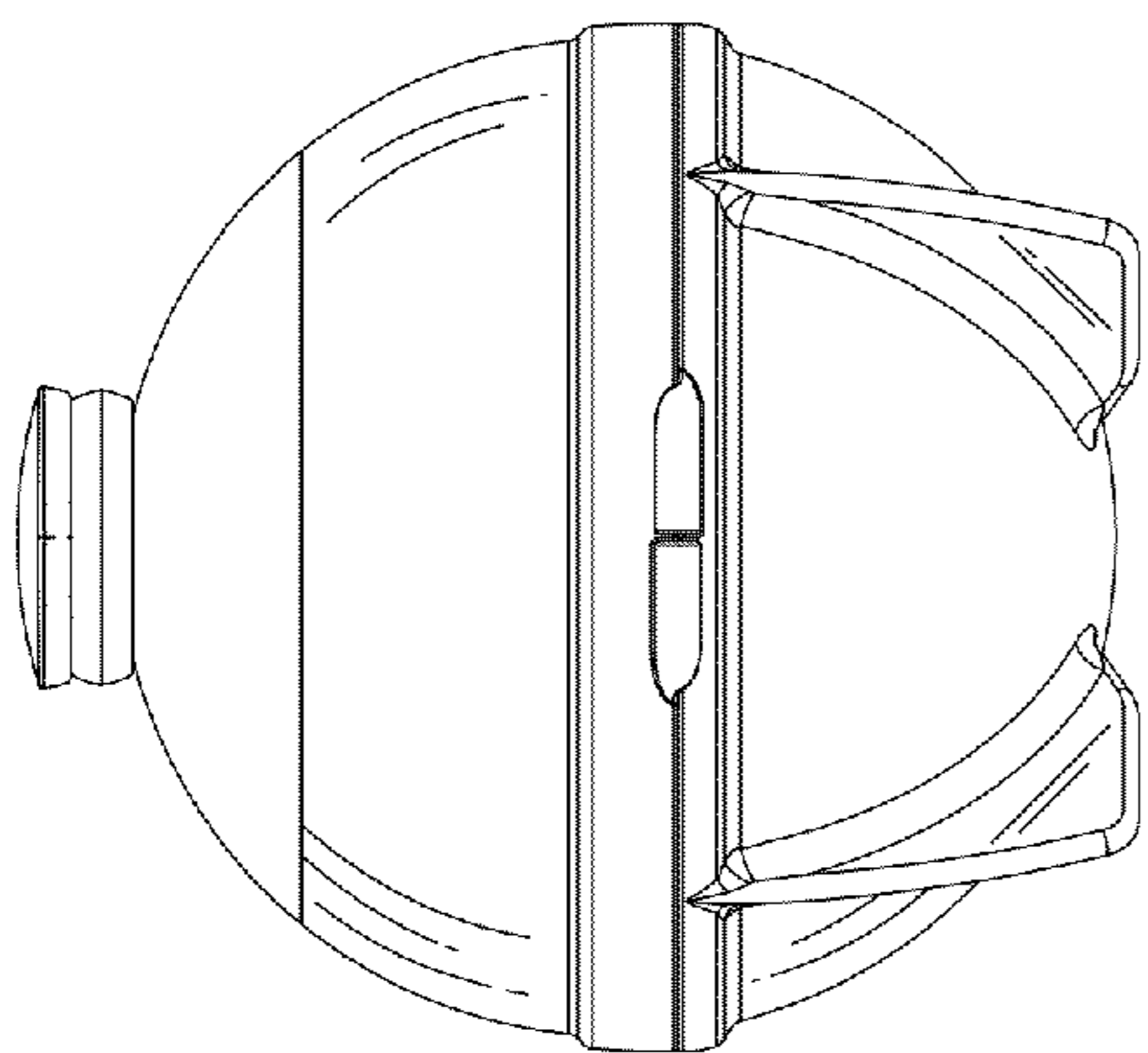


Fig. 2

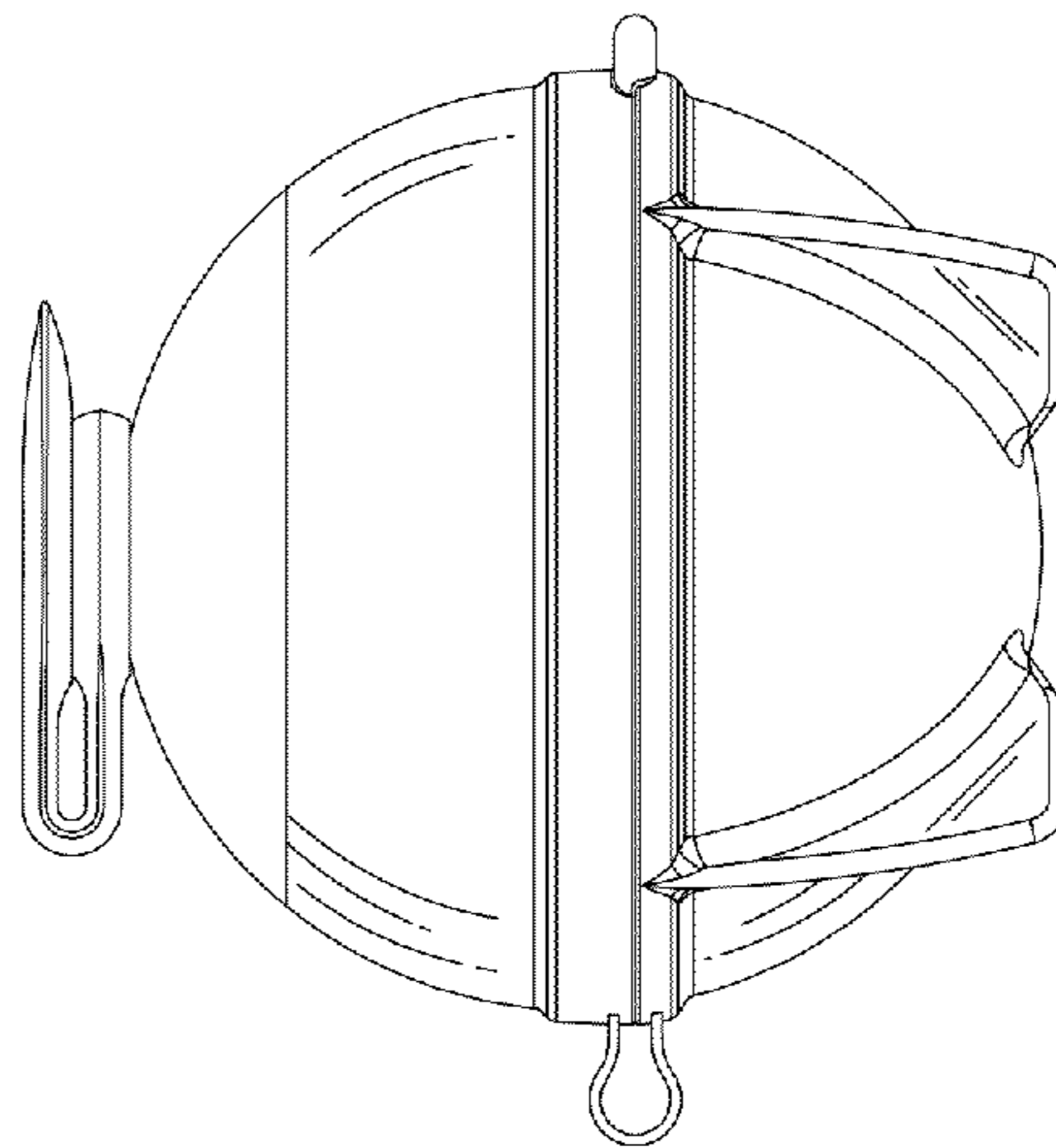


Fig. 3

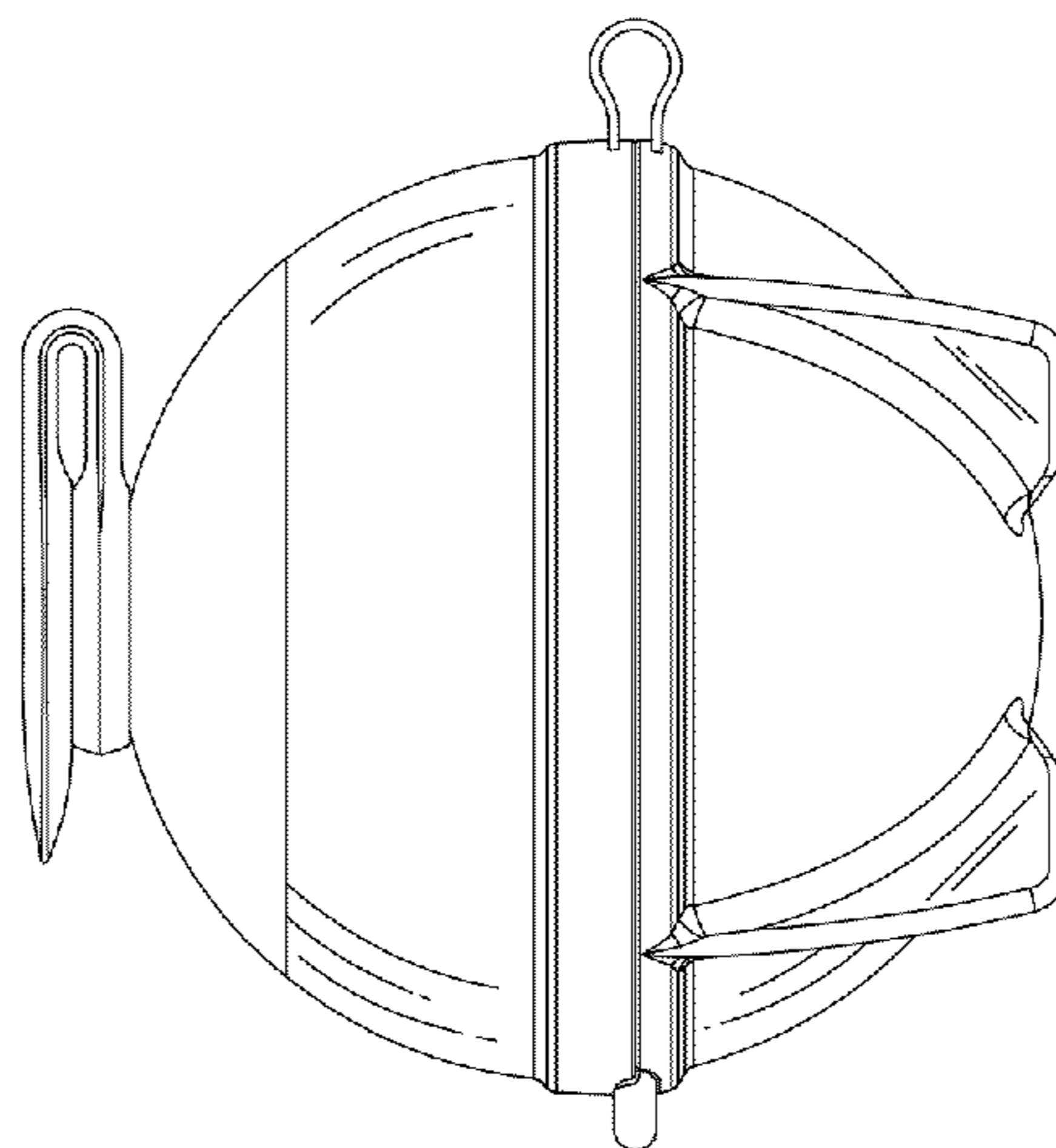


Fig. 4

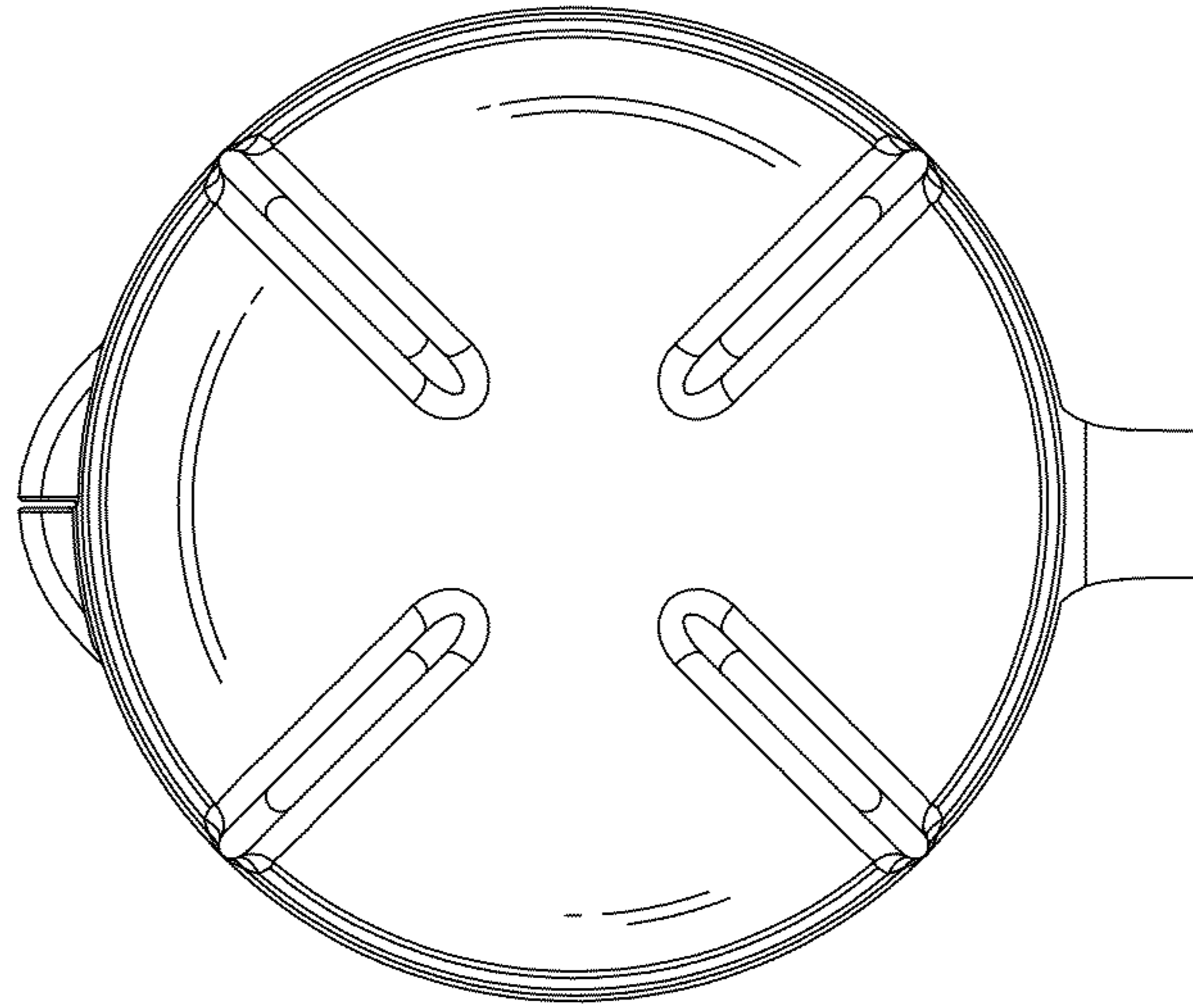


Fig. 6

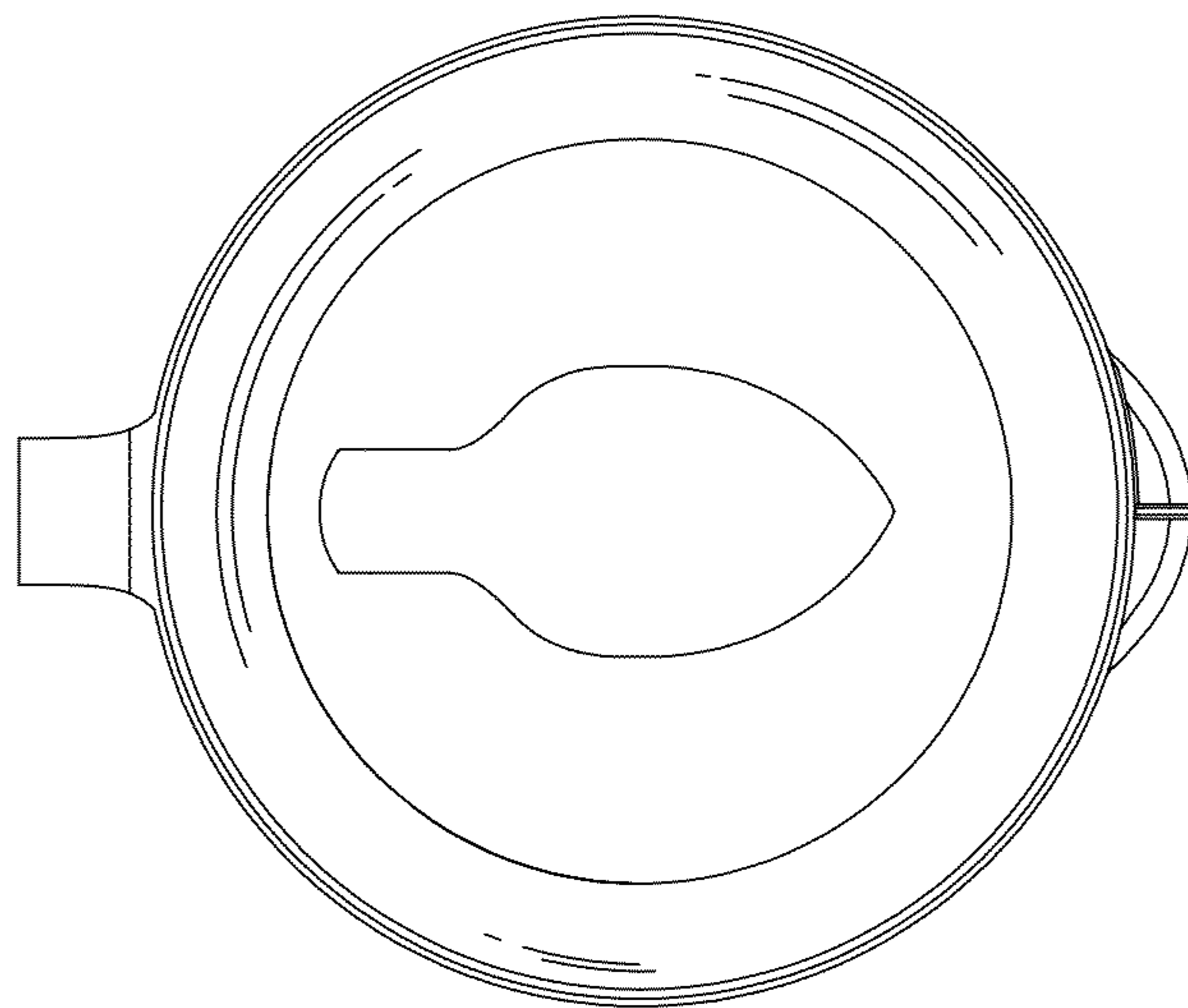


Fig. 5

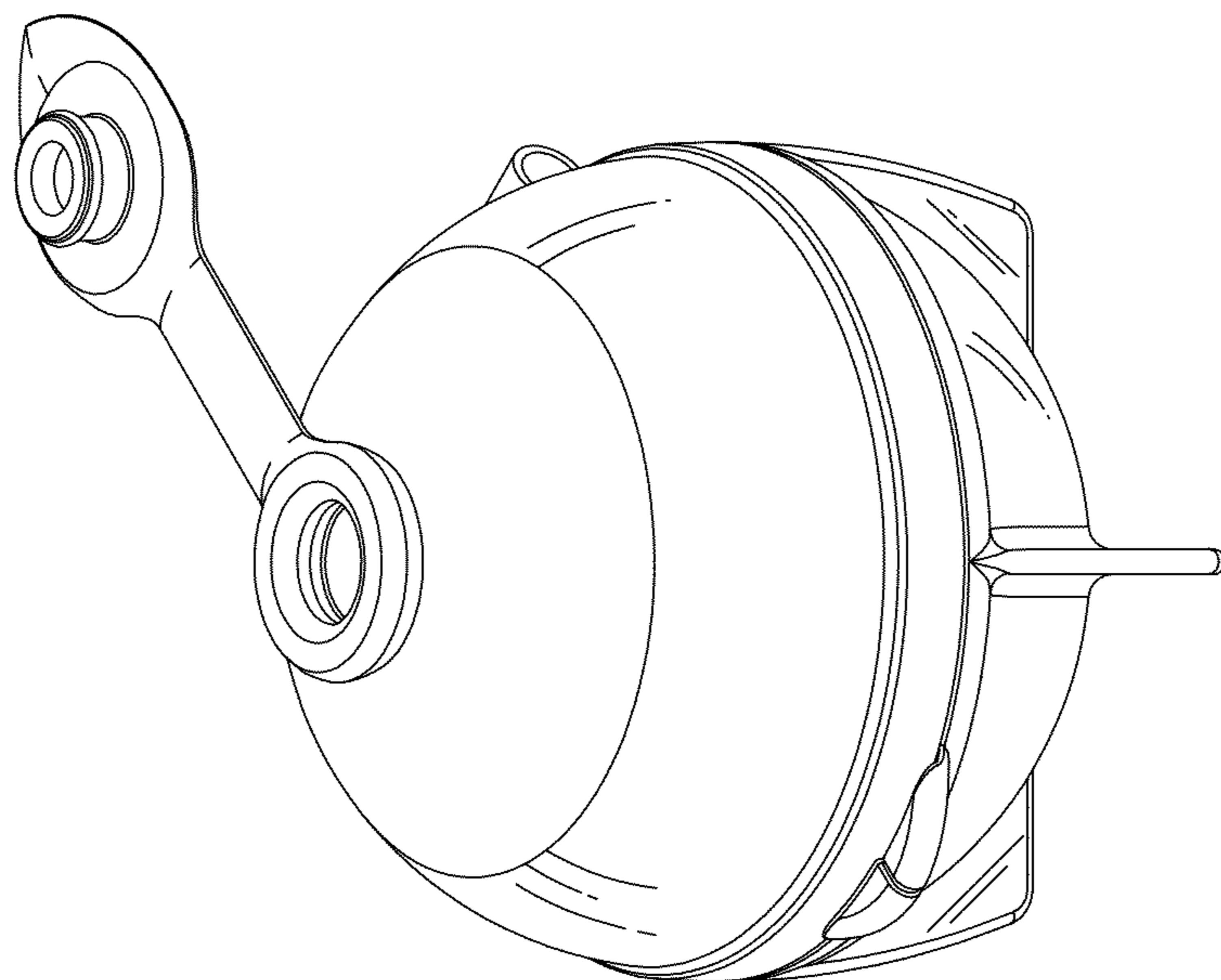


Fig. 8

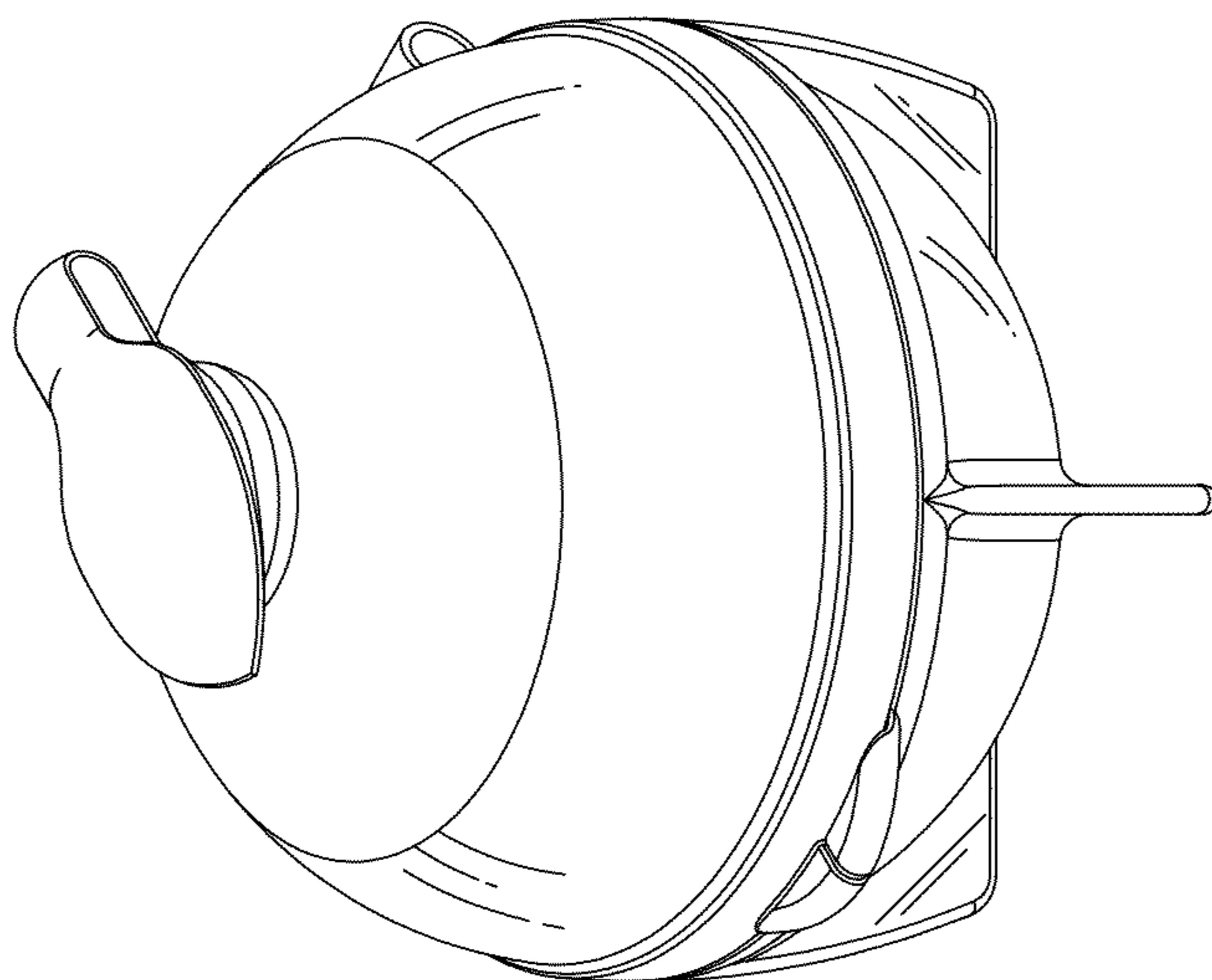


Fig. 7

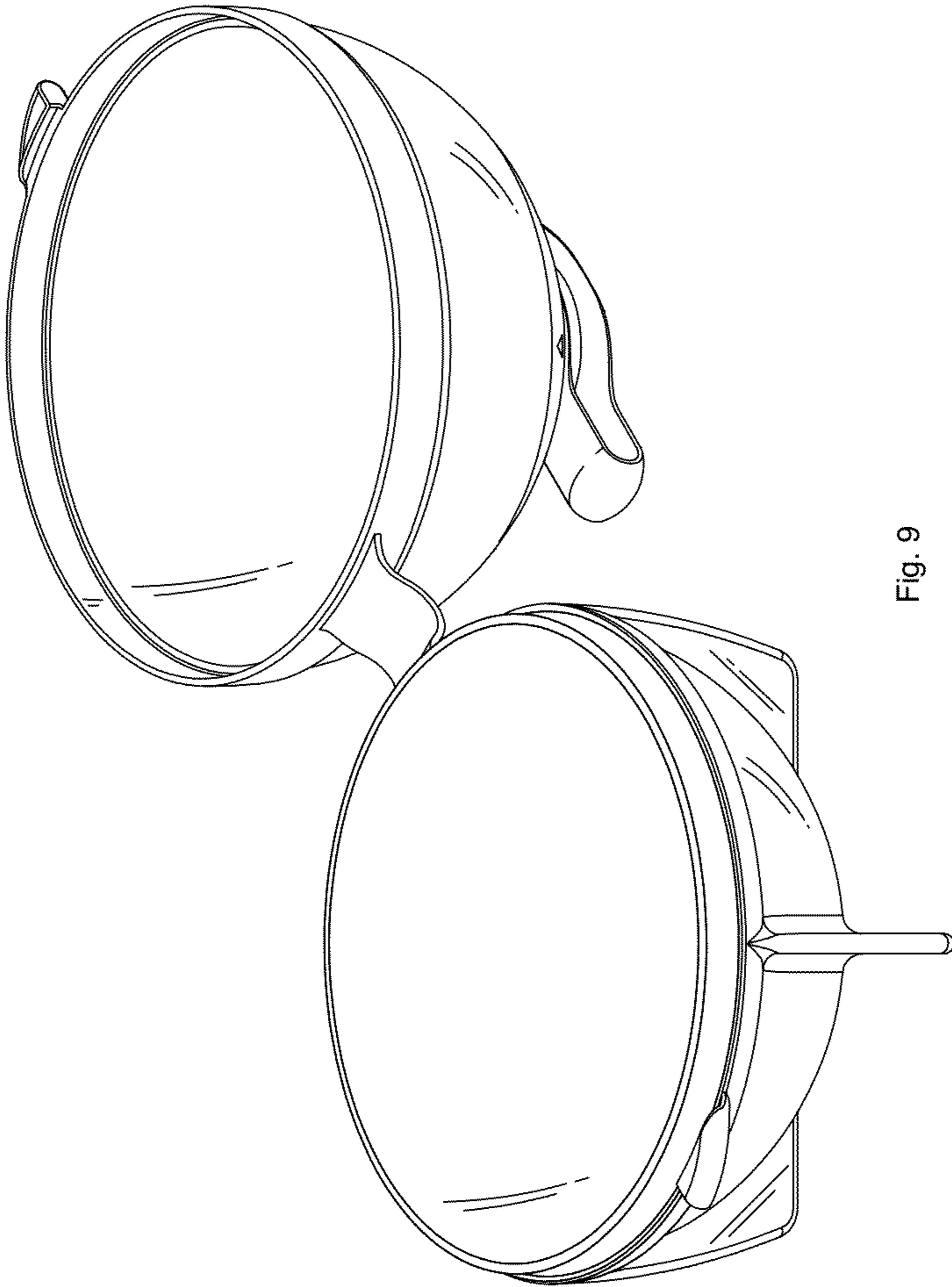


Fig. 9