



US00D711930S

(12) **United States Design Patent**
Kuwae et al.

(10) **Patent No.:** **US D711,930 S**

(45) **Date of Patent:** **** Aug. 26, 2014**

(54) **PORTION OF TRACTOR**

(71) Applicant: **Kubota Corporation**, Osaka (JP)

(72) Inventors: **Junta Kuwae**, Sakai (JP); **Megumi Sawai**, Sakai (JP)

(73) Assignee: **Kubota Corporation**, Osaka (JP)

(**) Term: **14 Years**

(21) Appl. No.: **29/468,387**

(22) Filed: **Sep. 30, 2013**

(30) **Foreign Application Priority Data**

Jul. 26, 2013 (JP) 2013-017131

(51) **LOC (10) Cl.** **15-03**

(52) **U.S. Cl.**
USPC **D15/31**

(58) **Field of Classification Search**
USPC D15/10, 11, 13-17, 28, 22-26, 31;
D12/173; 56/13.3, 13.4, 15.8, 15.9,
56/320.1; 180/89.1, 89.12, 900, 69.2,
180/68.1, 69.1
See application file for complete search history.

(56) **References Cited**

U.S. PATENT DOCUMENTS

D246,370	S	*	11/1977	Lorenz	D15/31
D297,330	S	*	8/1988	Monehaie et al.	D15/31
5,490,574	A	*	2/1996	Ishizumi et al.	180/68.1
D371,372	S	*	7/1996	Westimayer et al.	D15/31
D381,025	S	*	7/1997	Bataille	D15/31
D383,470	S	*	9/1997	Westimayer et al.	D15/31
D389,492	S	*	1/1998	Schmidt et al.	D15/31
D413,905	S	*	9/1999	Schmidt et al.	D15/31
D448,037	S	*	9/2001	Westimayer et al.	D15/31
D460,087	S	*	7/2002	Crookes et al.	D15/28
D473,881	S	*	4/2003	Kuwae	D15/28

D474,206	S	*	5/2003	Kuwae	D15/31
D483,383	S	*	12/2003	Crookes et al.	D15/31
D488,488	S	*	4/2004	Montgomery et al.	D15/31
D488,489	S	*	4/2004	Montgomery et al.	D15/31
D498,485	S	*	11/2004	Kuwae	D15/31
D522,537	S	*	6/2006	Higashikawa	D15/31

(Continued)

FOREIGN PATENT DOCUMENTS

JP	D1266894	S	4/2006
JP	D1266895	S	4/2006
JP	D1343484	S	11/2008

Primary Examiner — Mark Goodwin

(74) *Attorney, Agent, or Firm* — Masuvalley & Partners

(57) **CLAIM**

The ornamental design for a portion of tractor, as shown and described.

DESCRIPTION

FIG. 1 is a perspective view of the portion of tractor according to the invention;

FIG. 2 is a front elevation view of the portion of tractor of FIG. 1;

FIG. 3 is a rear elevation view of the portion of tractor of FIG. 1;

FIG. 4 is a left side elevation view of the portion of tractor of FIG. 1;

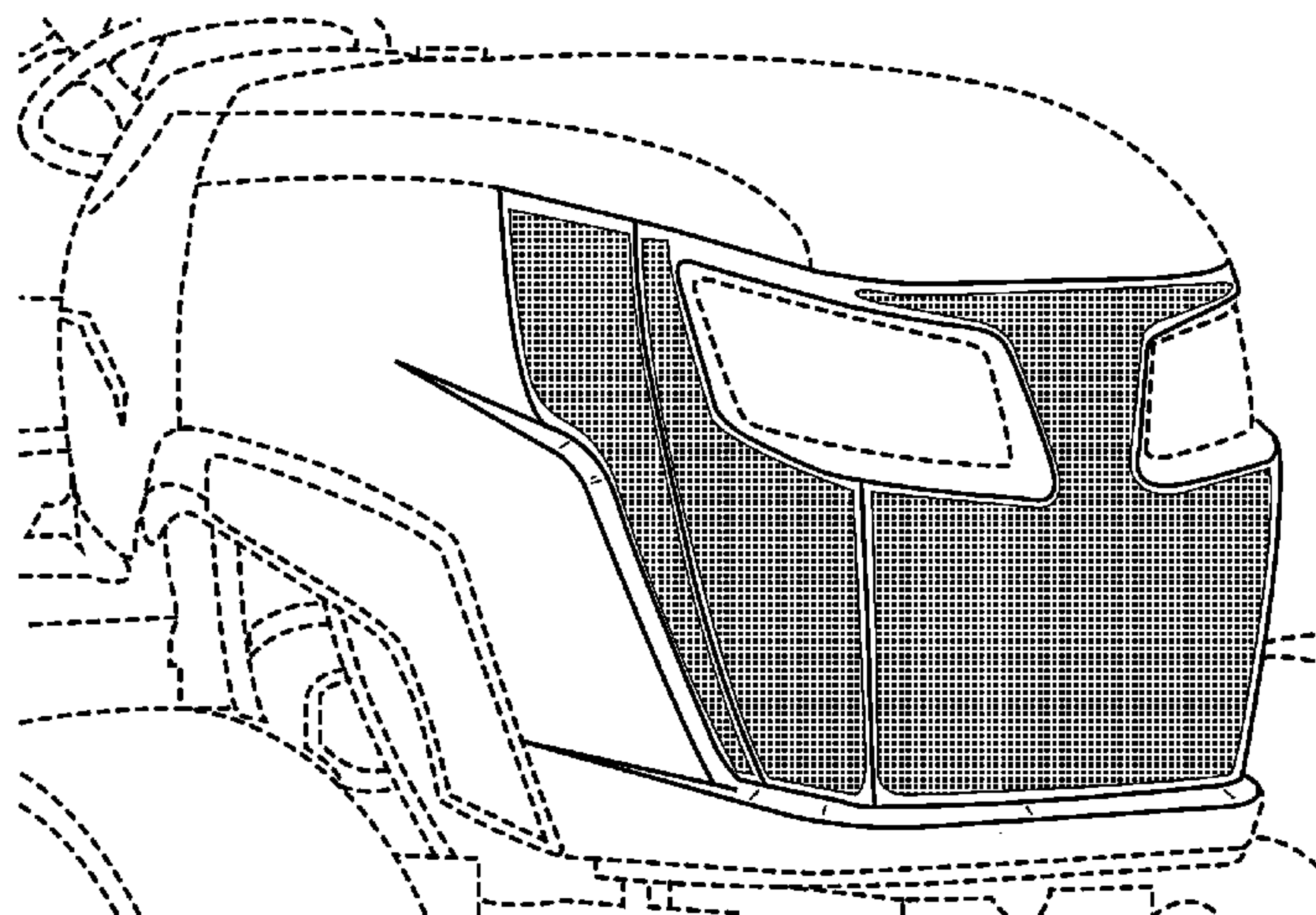
FIG. 5 is a right side elevation view of the portion of tractor of FIG. 1;

FIG. 6 is a top plan view of the portion of tractor of FIG. 1; FIG. 7 is an enlarged, partial right side elevation view of the portion of tractor of FIG. 1; and,

FIG. 8 is an enlarged, partial perspective view of the portion of tractor of FIG. 1.

The broken line disclosure, as well as line shading in parts of the drawings are included for the purpose of illustrating use and environment and form no part of the claimed design.

1 Claim, 8 Drawing Sheets



(56)

References Cited

U.S. PATENT DOCUMENTS

D532,022 S *	11/2006	Kuwae	D15/31	D594,038 S *	6/2009	Shimomura	D15/31
D554,669 S *	11/2007	Crookes et al.	D15/31	D596,205 S *	7/2009	Kawashiri et al.	D15/31
D557,714 S *	12/2007	Higashikawa et al.	D15/31	D602,507 S *	10/2009	Kushita	D15/31
D558,238 S *	12/2007	Kuwae	D15/31	D605,669 S *	12/2009	Matsumoto et al.	D15/31
D558,799 S *	1/2008	Higashikawa	D15/31	D611,963 S *	3/2010	Kuwae et al.	D15/31
D560,693 S *	1/2008	Moen et al.	D15/31	D642,597 S *	8/2011	Krogh et al.	D15/31
D570,382 S *	6/2008	Higashikawa	D15/31	D642,598 S *	8/2011	Wikner et al.	D15/31
D581,955 S *	12/2008	Matsumoto et al.	D15/31	D655,317 S *	3/2012	Hagele et al.	D15/31
D586,828 S *	2/2009	Staines et al.	D15/31	D655,318 S *	3/2012	Hagele et al.	D15/31
D591,777 S *	5/2009	Kokitkar et al.	D15/31	D655,319 S *	3/2012	Hagele et al.	D15/31
				D690,327 S *	9/2013	Kim et al.	D15/31
				D690,328 S *	9/2013	Cha et al.	D15/31

* cited by examiner

FIG. 1

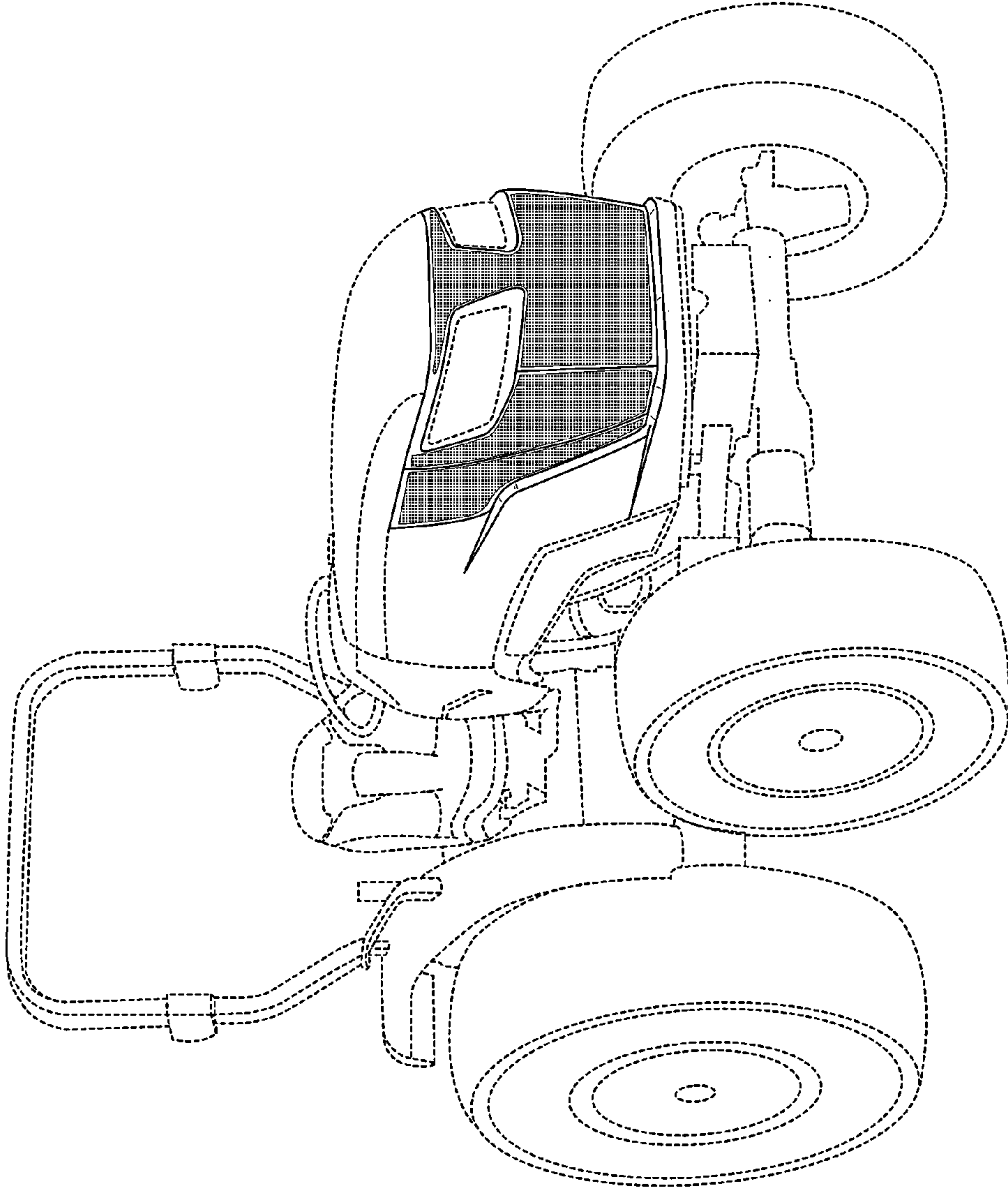


FIG. 2

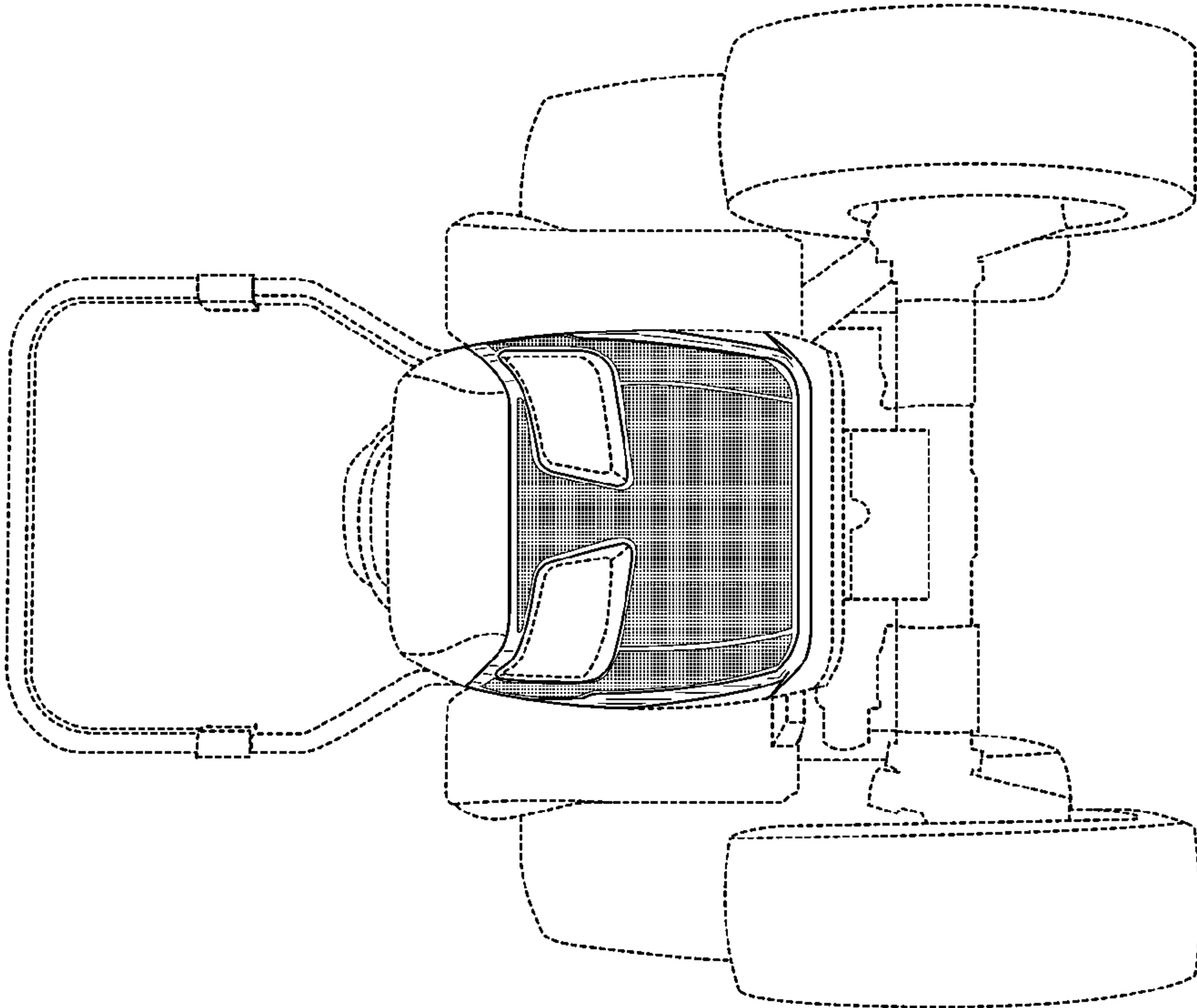


FIG. 3

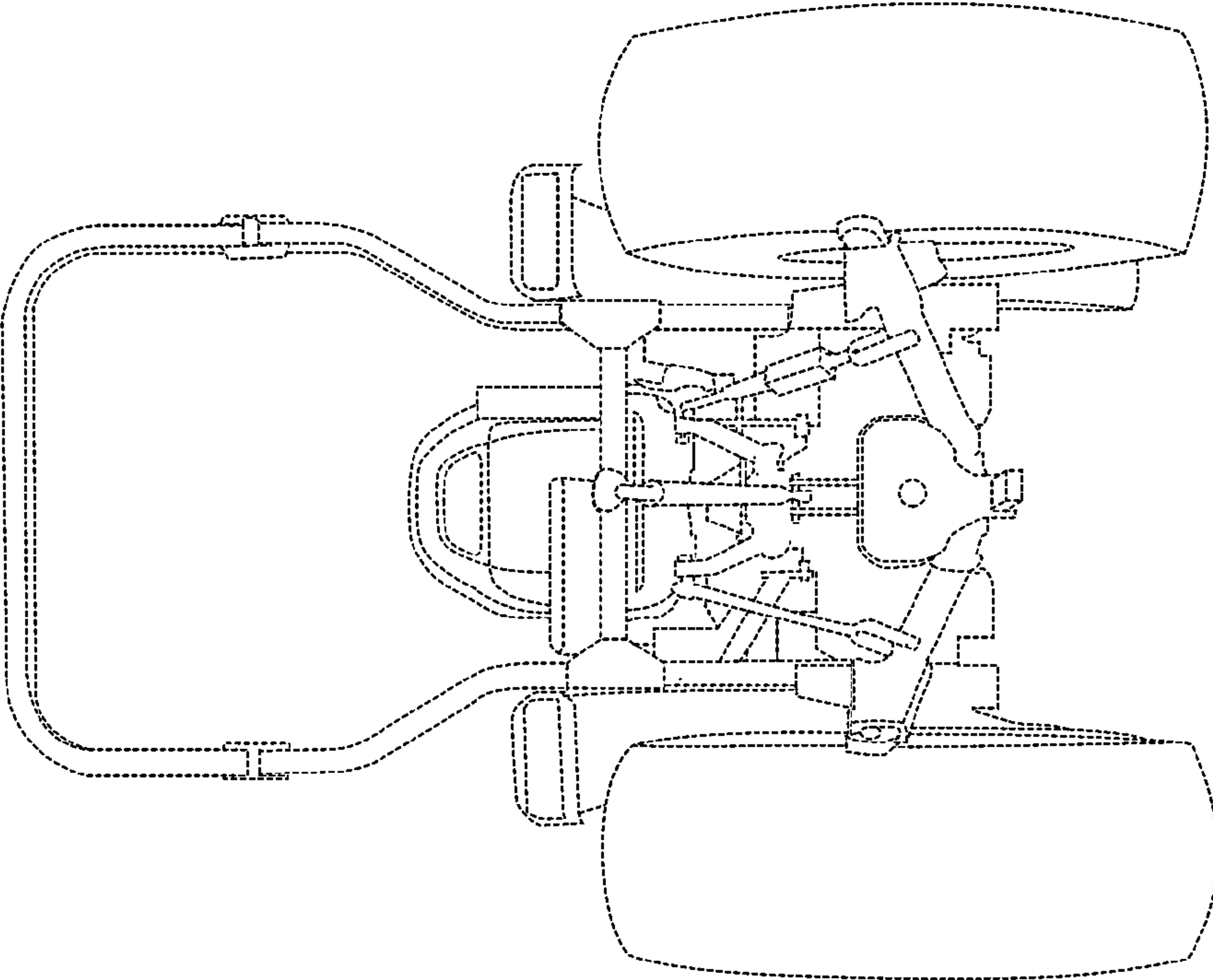


FIG. 4

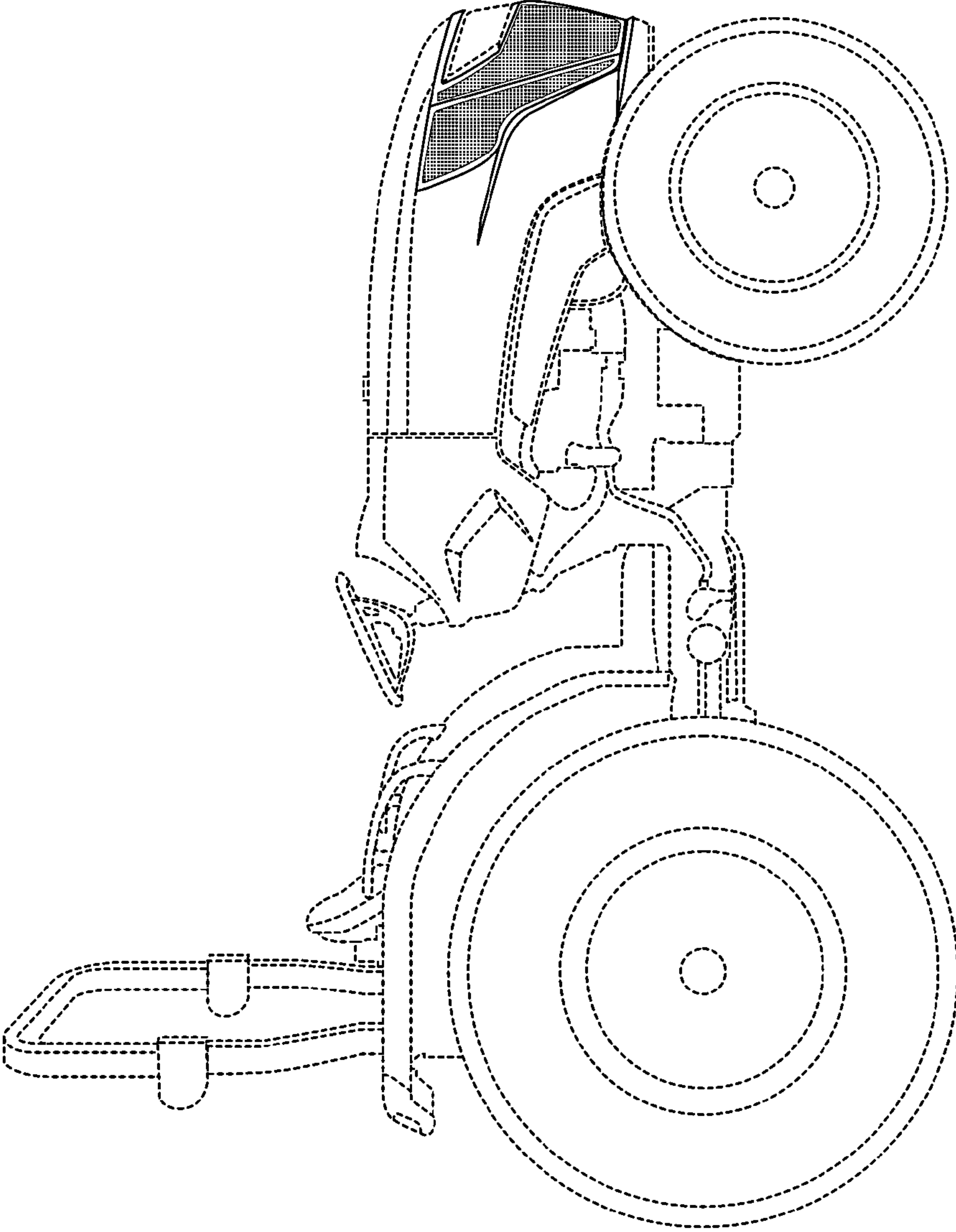


FIG. 5

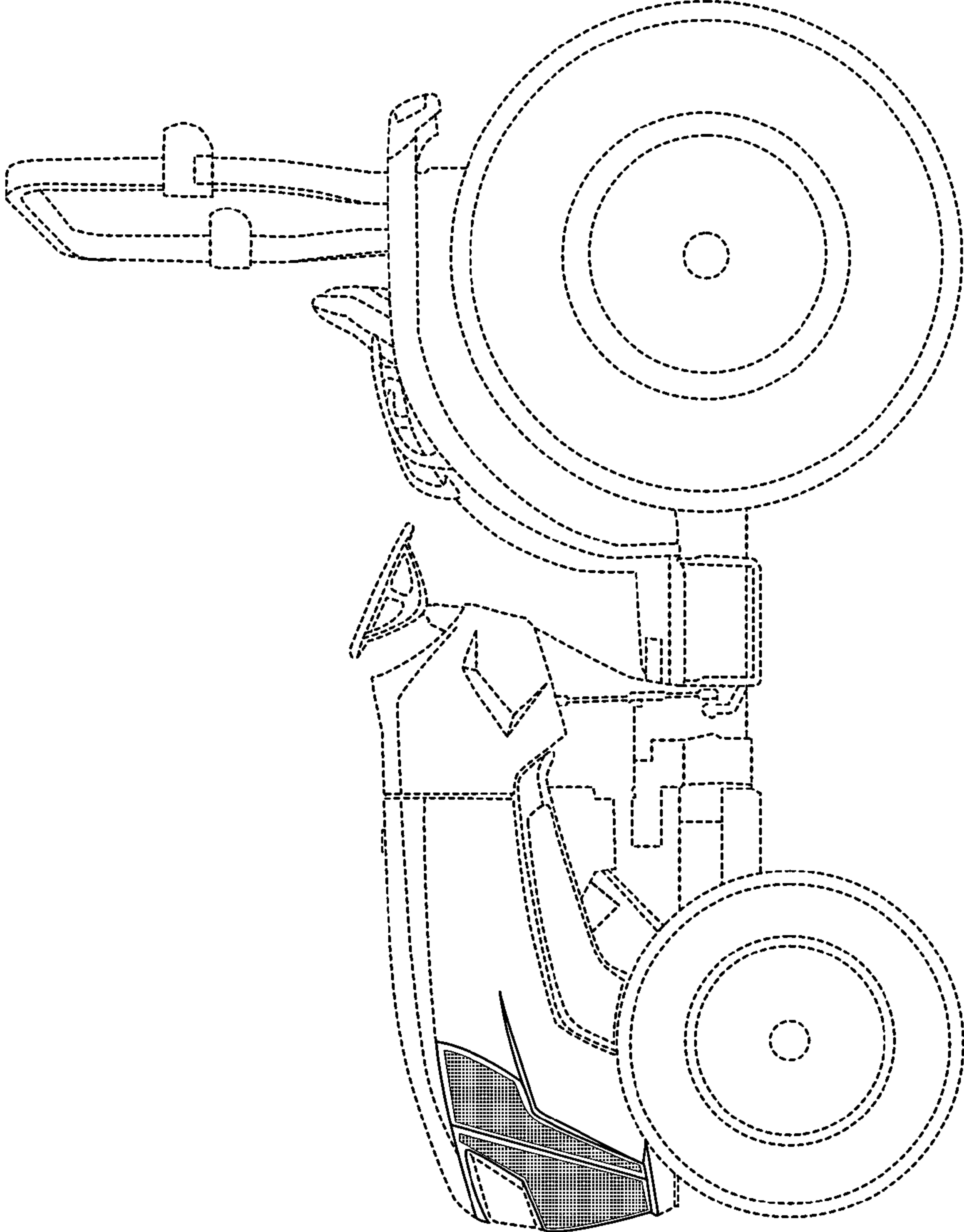


FIG. 6

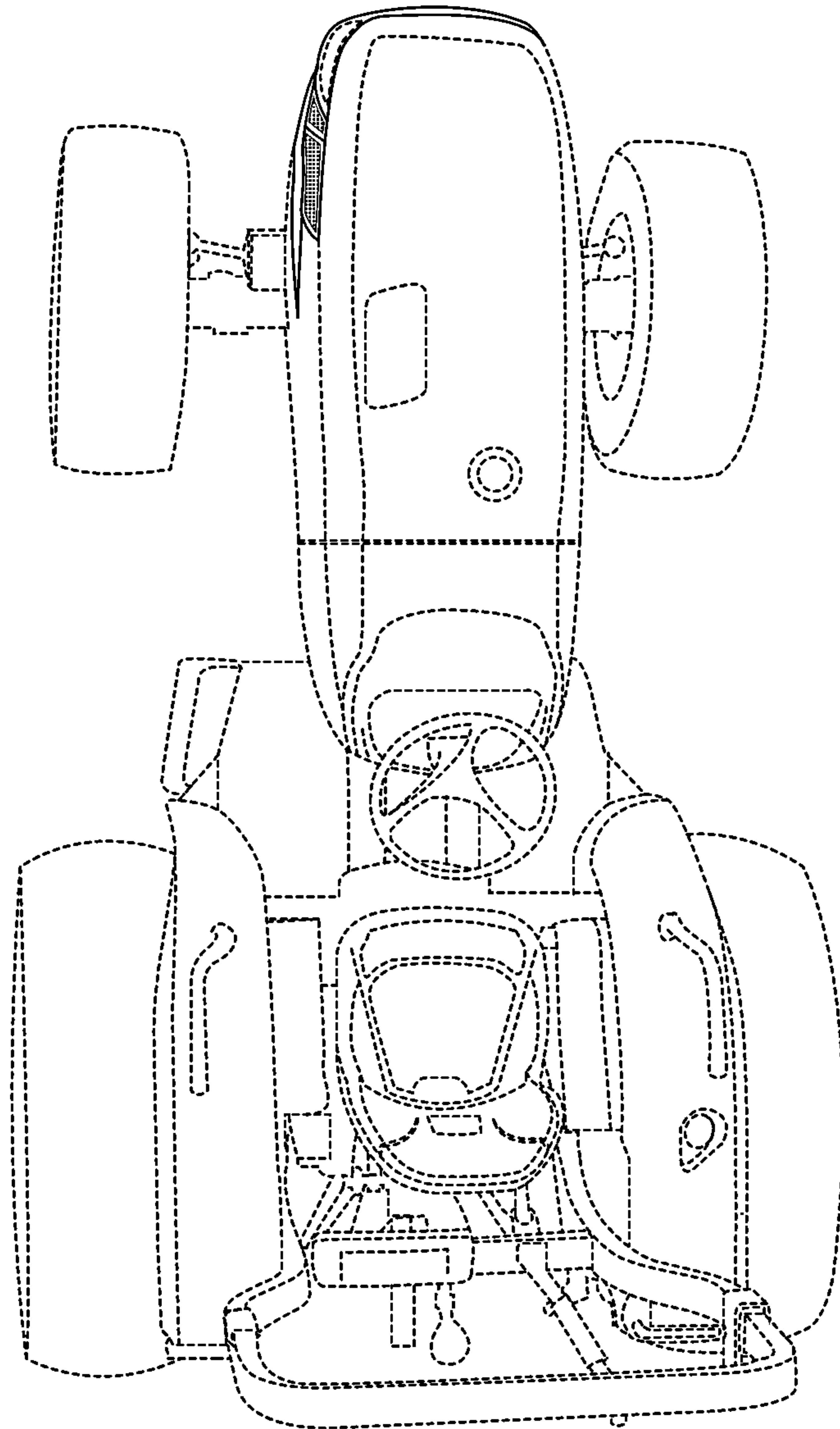


FIG. 7

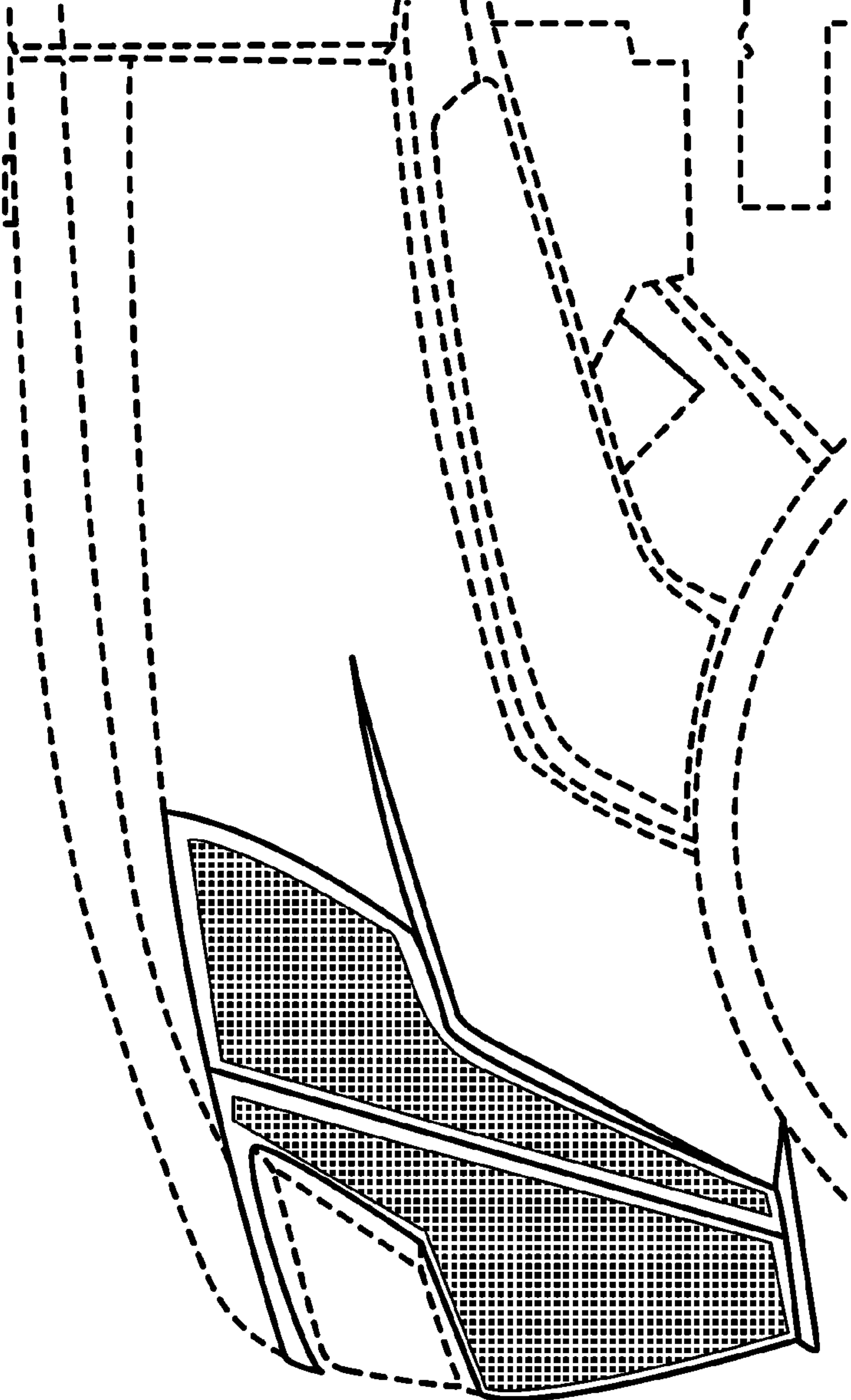


FIG. 8

