

US00D711927S

(12) **United States Design Patent**
Yoshita et al.

(10) **Patent No.:** **US D711,927 S**

(45) **Date of Patent:** **** Aug. 26, 2014**

(54) **EXCAVATOR**

(71) Applicants: **Kouichi Yoshita**, Tokyo (JP); **Yuuki Saitou**, Tokyo (JP); **Akira Misu**, Tokyo (JP); **Yoshiyuki Takano**, Tokyo (JP); **Kouhei Miyazaki**, Tokyo (JP)

(72) Inventors: **Kouichi Yoshita**, Tokyo (JP); **Yuuki Saitou**, Tokyo (JP); **Akira Misu**, Tokyo (JP); **Yoshiyuki Takano**, Tokyo (JP); **Kouhei Miyazaki**, Tokyo (JP)

(73) Assignee: **Komatsu Ltd.**, Tokyo (JP)

(**) Term: **14 Years**

(21) Appl. No.: **29/463,913**

(22) Filed: **Apr. 4, 2014**

(30) **Foreign Application Priority Data**

Dec. 24, 2013 (JP) 2013-030234

(51) **LOC (10) Cl.** **15-03**

(52) **U.S. Cl.**
USPC **D15/24; D15/25**

(58) **Field of Classification Search**
USPC D15/10, 22-26, 28, 30; 180/89.1, 180/89.12, 89.13, 900, 9.1, 9.2, 9.62; 37/379; 414/694, 699, 722-724, 660, 414/685, 698, 719, 743

See application file for complete search history.

(56) **References Cited**

U.S. PATENT DOCUMENTS

| | | | | | | |
|----------|---|---|---------|------------------|-------|--------|
| D309,313 | S | * | 7/1990 | Takashima et al. | | D15/25 |
| D312,468 | S | * | 11/1990 | Masumoto et al. | | D15/25 |
| D354,497 | S | * | 1/1995 | Kusunoki et al. | | D15/25 |
| D440,235 | S | * | 4/2001 | Kuwae et al. | | D15/25 |
| D462,973 | S | * | 9/2002 | Tamaru et al. | | D15/25 |
| D462,974 | S | * | 9/2002 | Yanagida et al. | | D15/25 |
| D474,481 | S | * | 5/2003 | Hara | | D15/25 |
| D511,531 | S | * | 11/2005 | Sewell et al. | | D15/24 |
| D518,071 | S | * | 3/2006 | Gwak et al. | | D15/25 |
| D527,027 | S | * | 8/2006 | Smith et al. | | D15/24 |
| D538,304 | S | * | 3/2007 | Uemura | | D15/25 |
| D538,827 | S | * | 3/2007 | Uemura | | D15/25 |
| D561,785 | S | * | 2/2008 | Imashige et al. | | D15/24 |
| D576,180 | S | * | 9/2008 | Kuwae et al. | | D15/25 |
| D609,252 | S | * | 2/2010 | Shimada et al. | | D15/25 |
| D633,926 | S | * | 3/2011 | Shimada et al. | | D15/25 |

* cited by examiner

Primary Examiner — Mark Goodwin

(74) *Attorney, Agent, or Firm* — Manabu Kanesaka

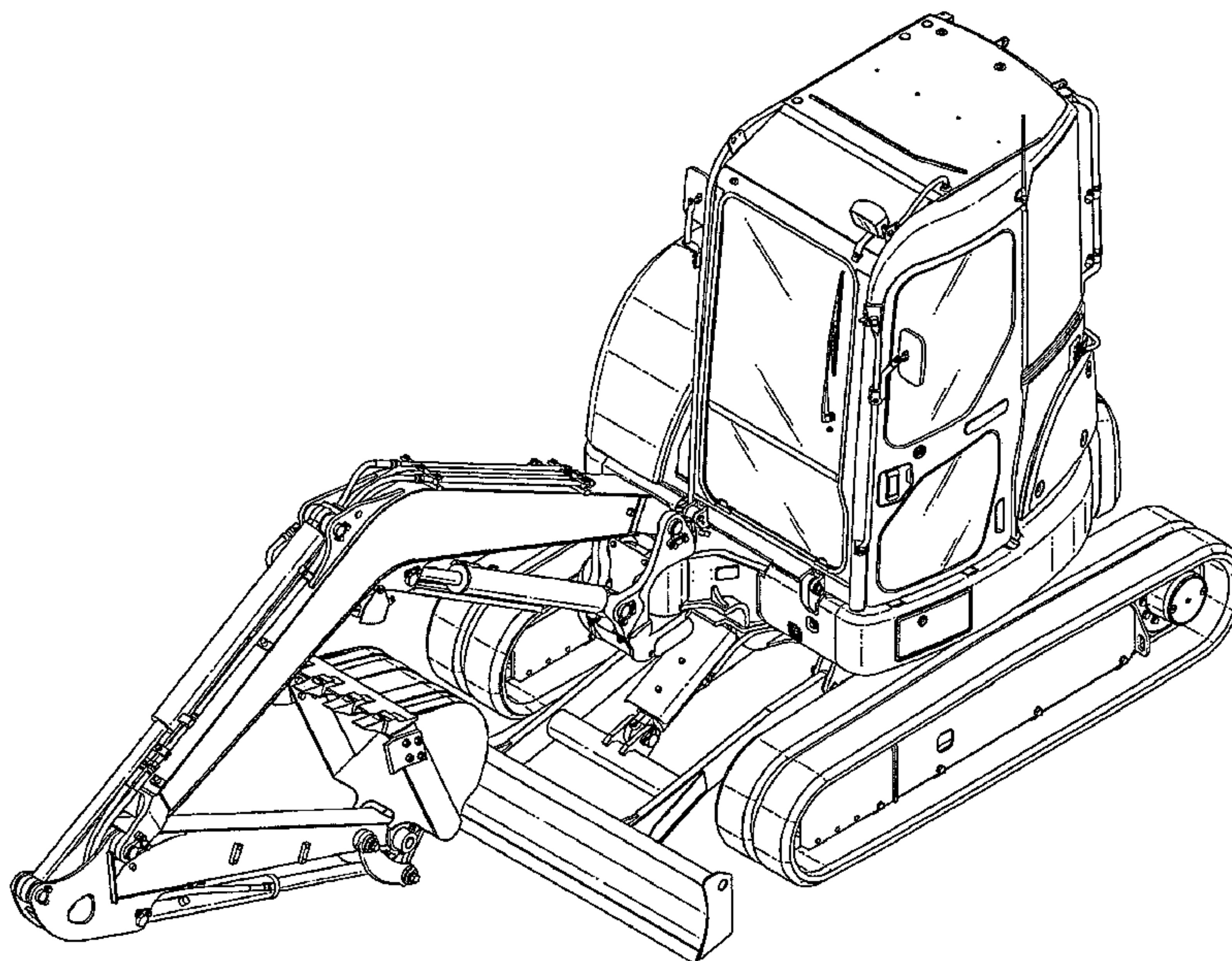
(57) **CLAIM**

The ornamental design for an excavator, as shown and described.

DESCRIPTION

FIG. 1 is a first perspective view of an excavator showing our new design;
FIG. 2 is a second perspective view thereof;
FIG. 3 is a front view thereof;
FIG. 4 is a rear view thereof;
FIG. 5 is a plan view thereof;
FIG. 6 is a bottom view thereof;
FIG. 7 is a right side view thereof; and,
FIG. 8 is a left side view thereof.

1 Claim, 8 Drawing Sheets



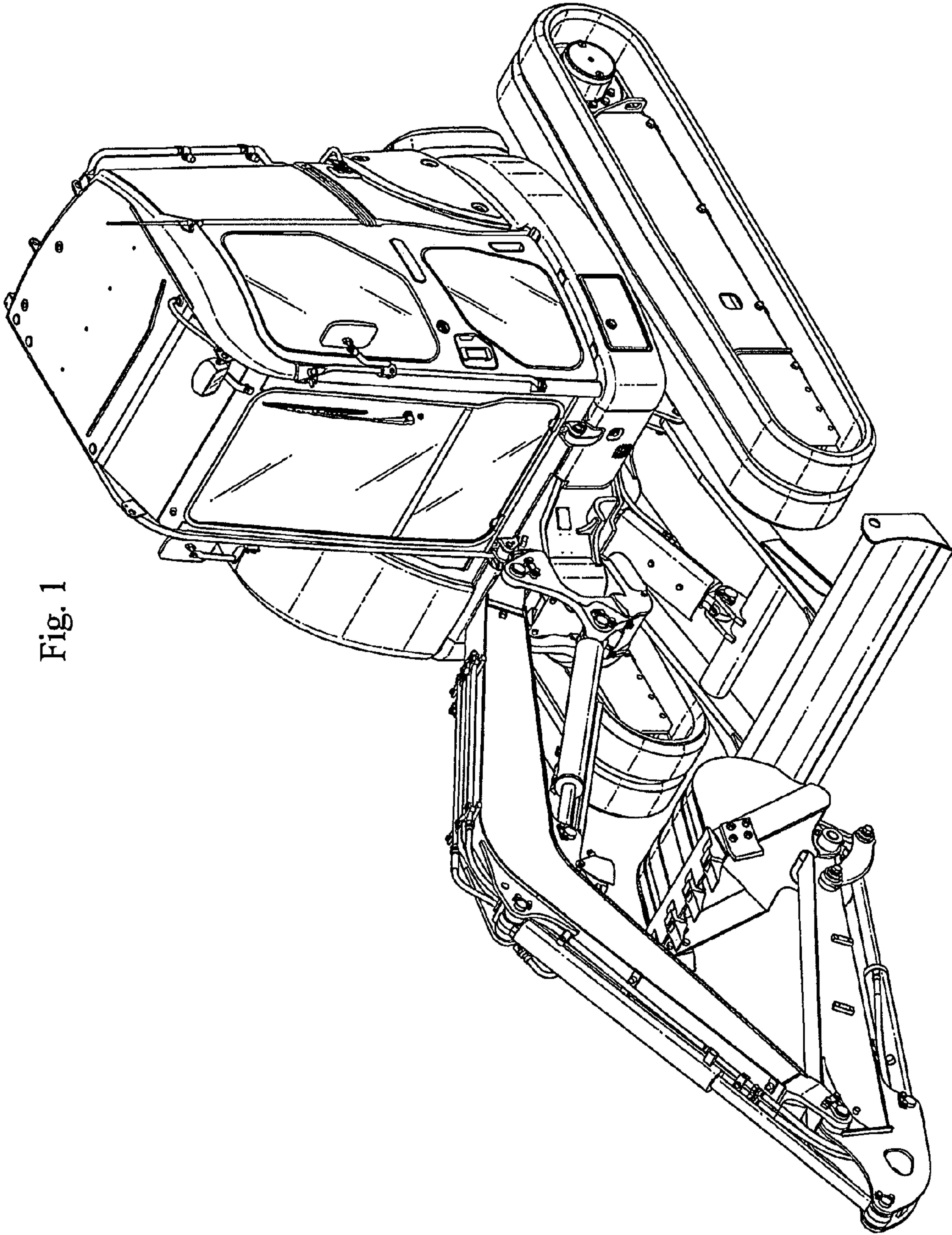


Fig. 1

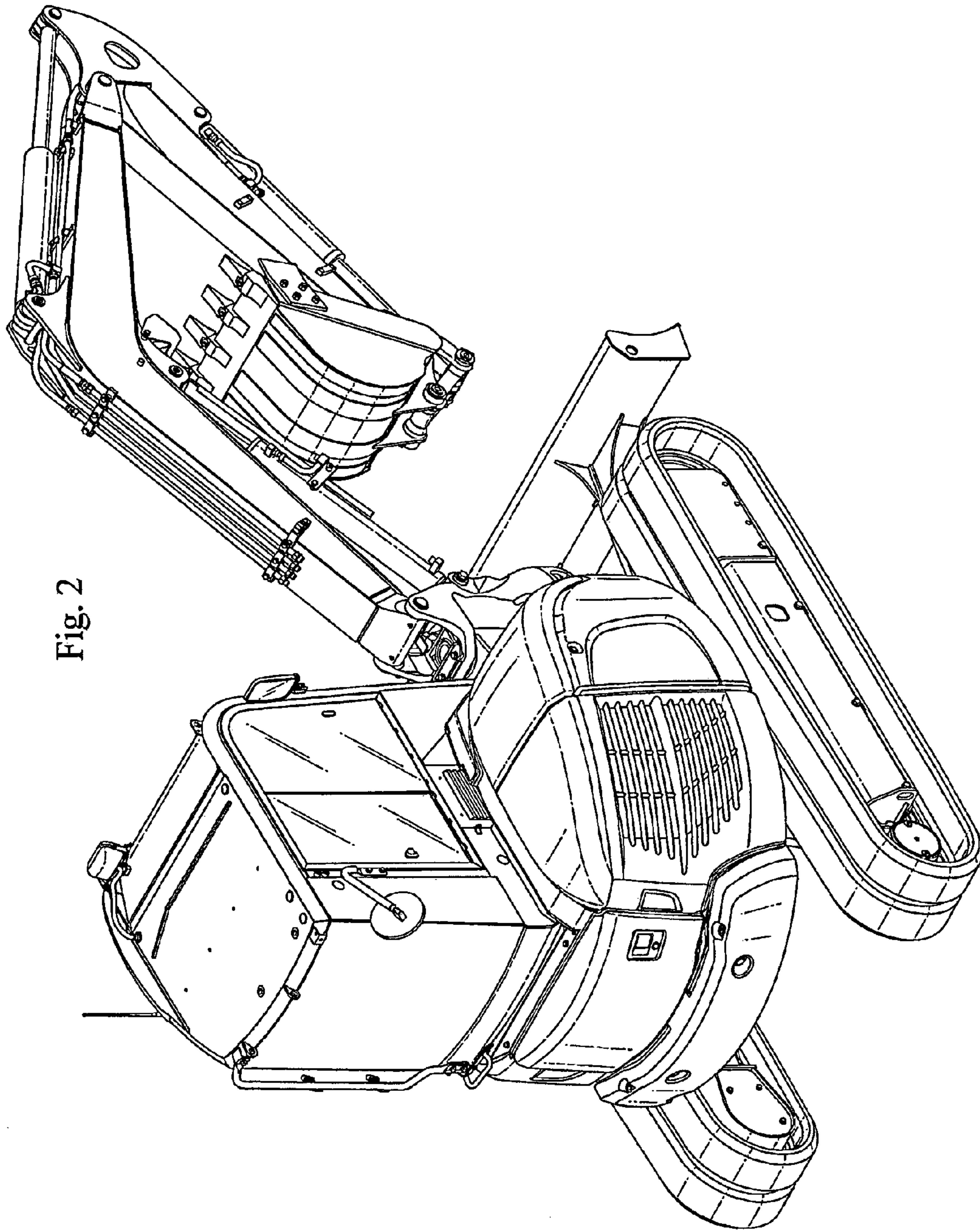


Fig. 2

Fig. 3

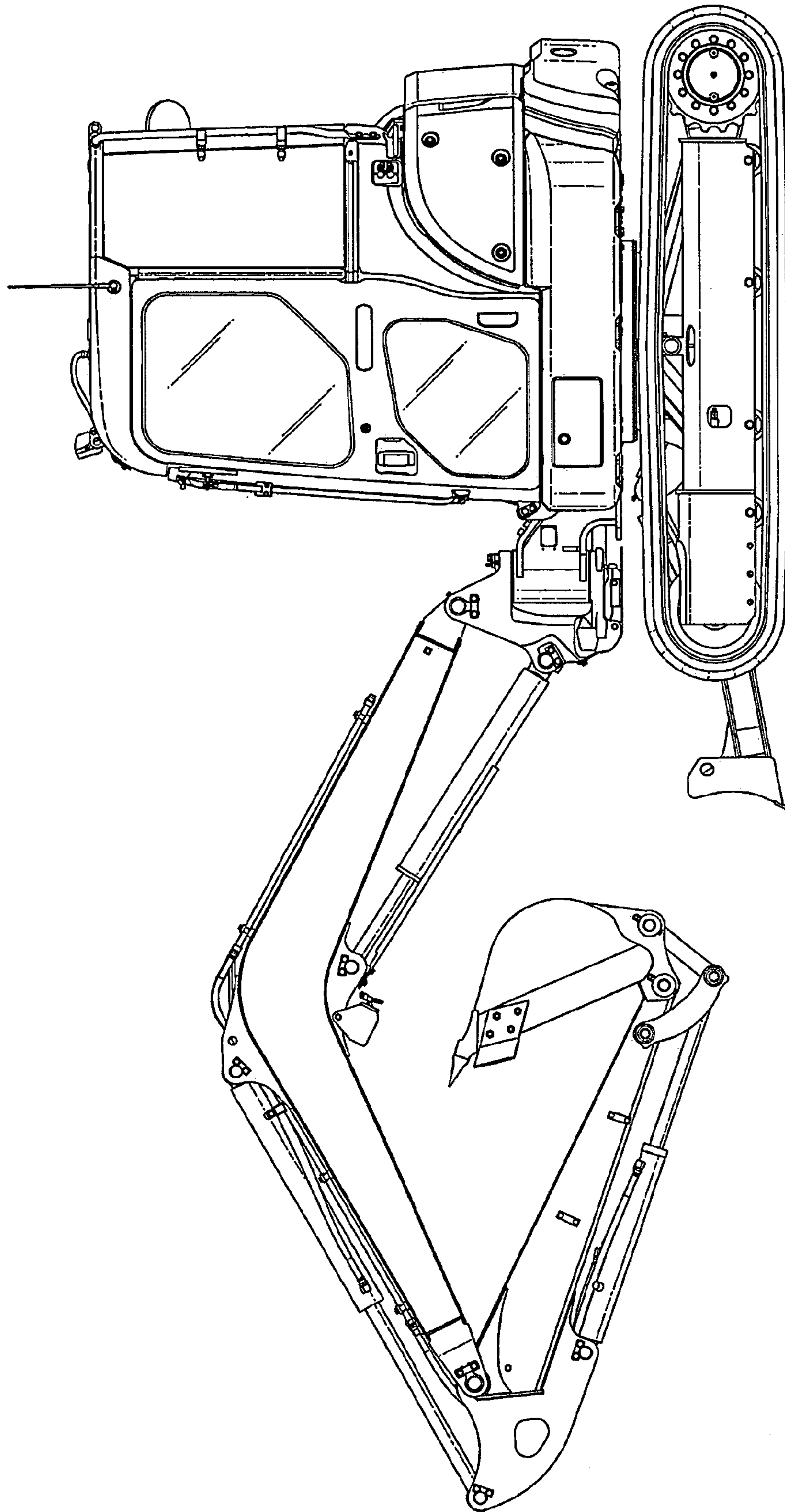


Fig. 4

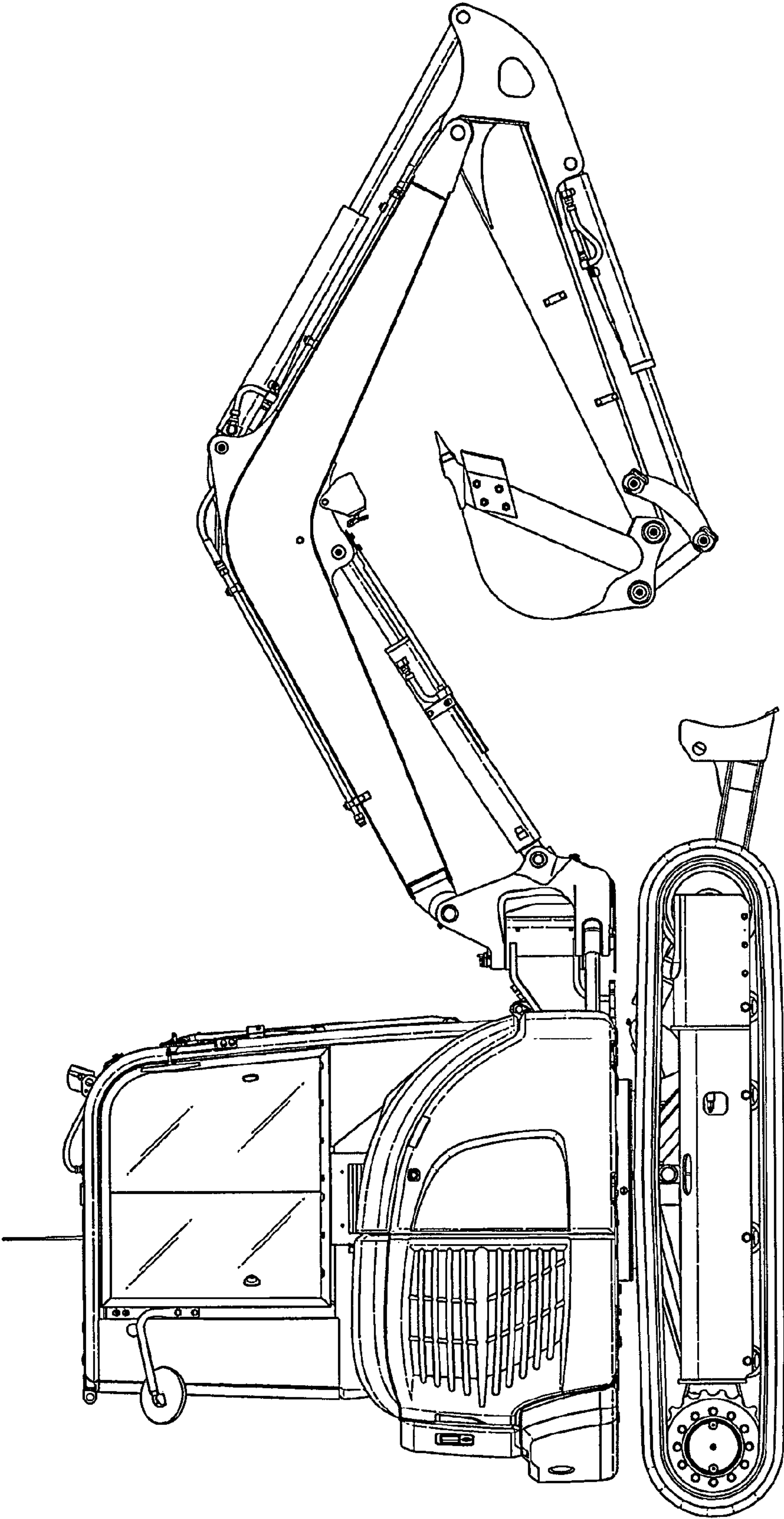
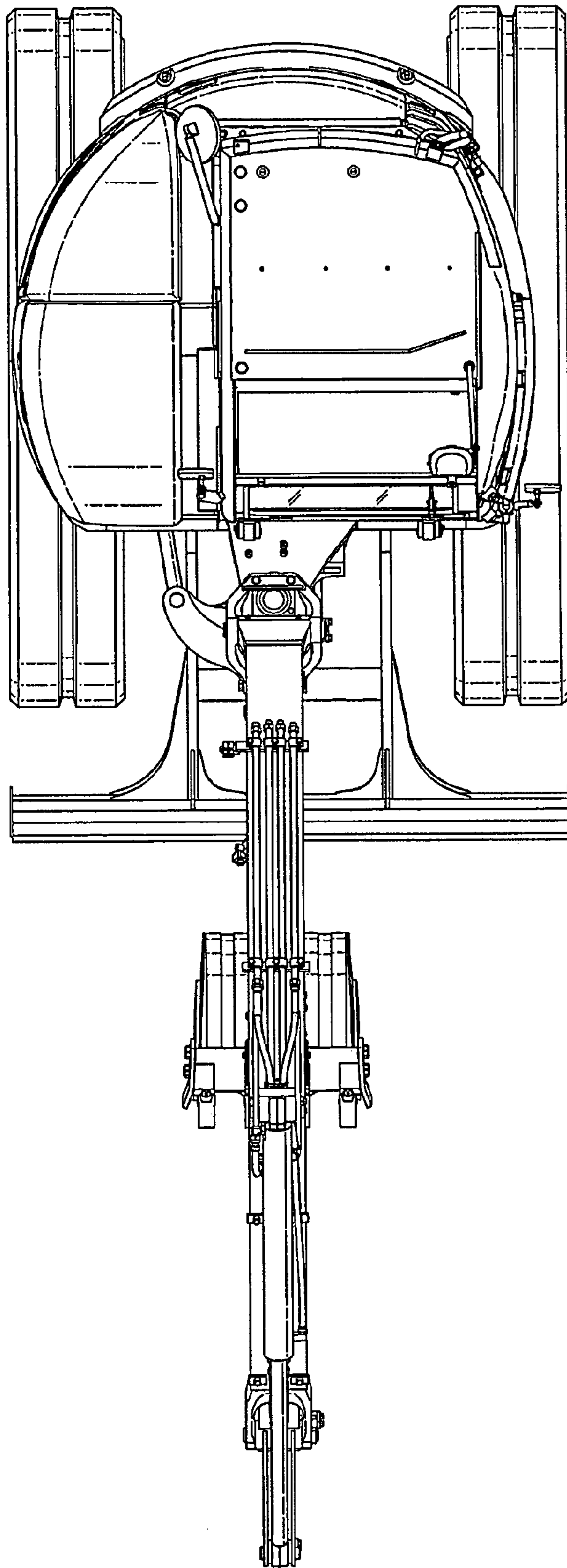


Fig. 5



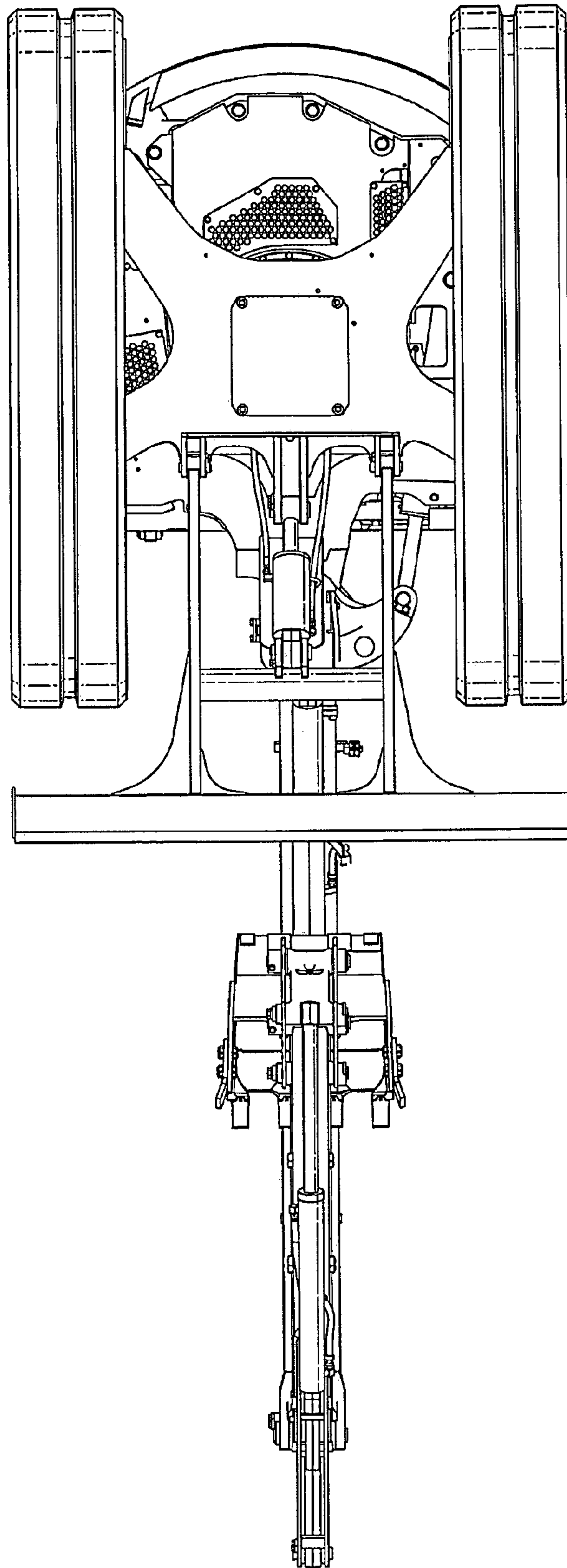
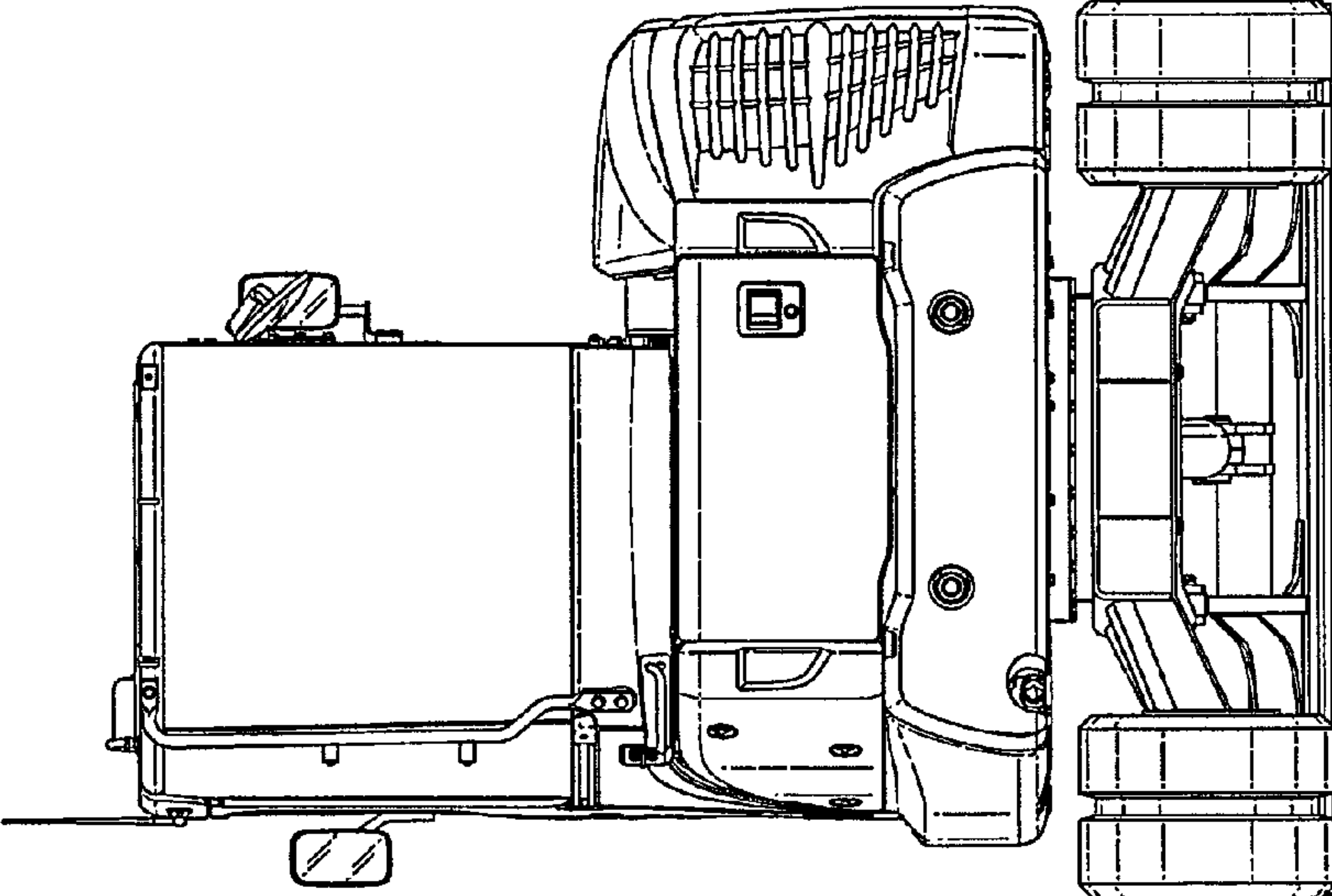


Fig. 6

Fig. 7



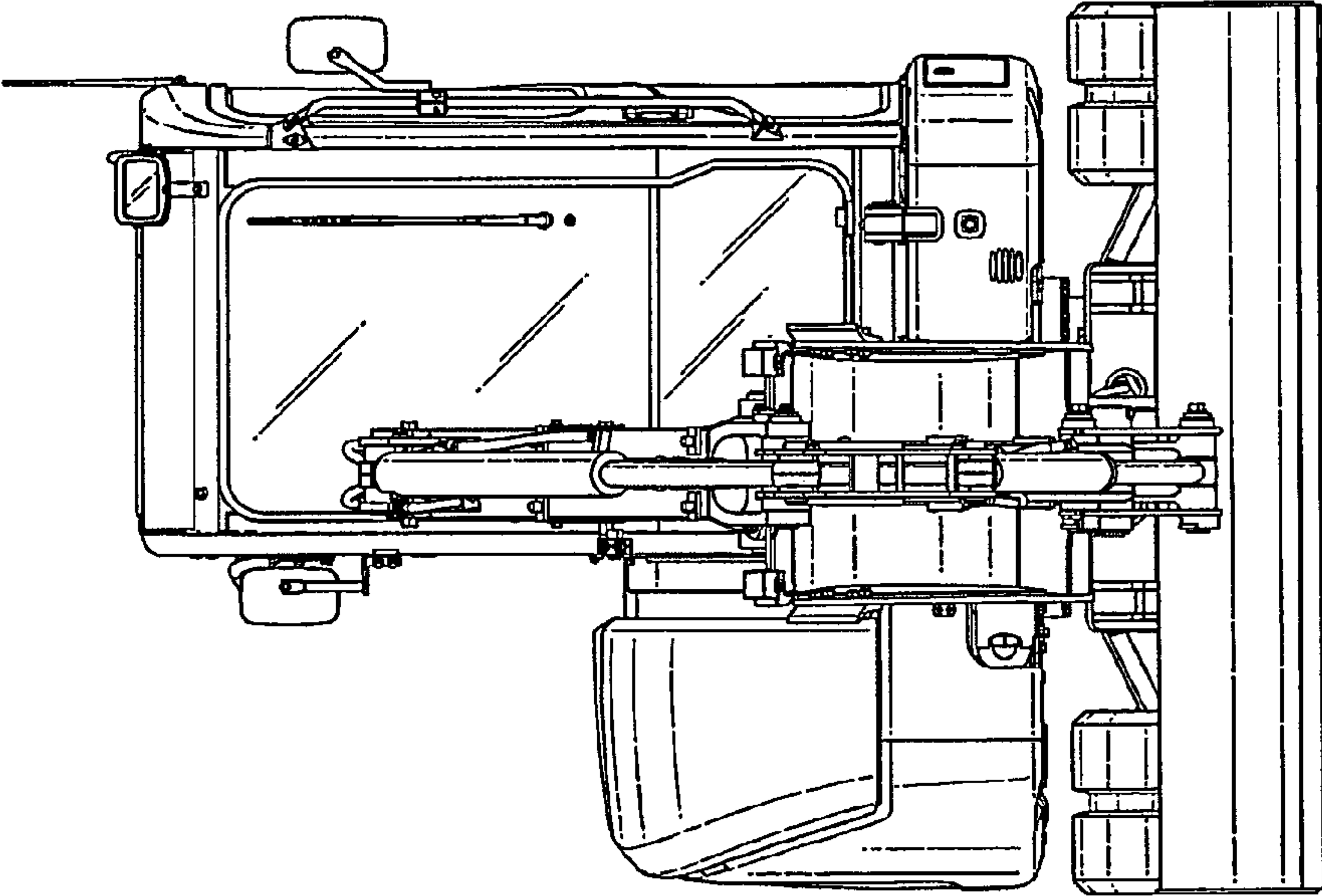


Fig. 8