



US00D711926S

(12) **United States Design Patent**
Tatic

(10) **Patent No.:** **US D711,926 S**

(45) **Date of Patent:** **** Aug. 26, 2014**

(54) **WATER PUMP**

(71) Applicant: **OASE GmbH**, Hörstel-Riesenbeck (DE)

(72) Inventor: **Aleks Tatic**, Ulm (DE)

(73) Assignee: **OASE GmbH**, Hörstel-Riesenbeck (DE)

(**) Term: **14 Years**

(21) Appl. No.: **29/448,132**

(22) Filed: **Mar. 10, 2013**

(30) **Foreign Application Priority Data**

Sep. 10, 2012 (EM) 001 343 040

(51) **LOC (10) Cl.** **15-02**

(52) **U.S. Cl.**
USPC **D15/7**

(58) **Field of Classification Search**
USPC D15/7-9; D23/231, 232, 225; 417/60,
417/235, 265, 321, 355, 358, 363, 359,
417/410.1, 415-416, 405, 900; 60/408,
60/412; 184/26-37; 415/140-147;
123/495, 509
See application file for complete search history.

(56) **References Cited**

U.S. PATENT DOCUMENTS

D441,376 S * 5/2001 Gohil et al. D15/7
D562,349 S * 2/2008 Bulter D15/9

D595,741 S * 7/2009 Dickertmann D15/7
D635,587 S * 4/2011 Schleef D15/7
D642,594 S * 8/2011 Mattson et al. D15/7
D648,353 S * 11/2011 Mattson et al. D15/7
D659,717 S * 5/2012 Mattson et al. D15/7
D684,997 S * 6/2013 Tatic D15/7

* cited by examiner

Primary Examiner — Ralf Seifert

(74) *Attorney, Agent, or Firm* — Gudrun E. Hockett

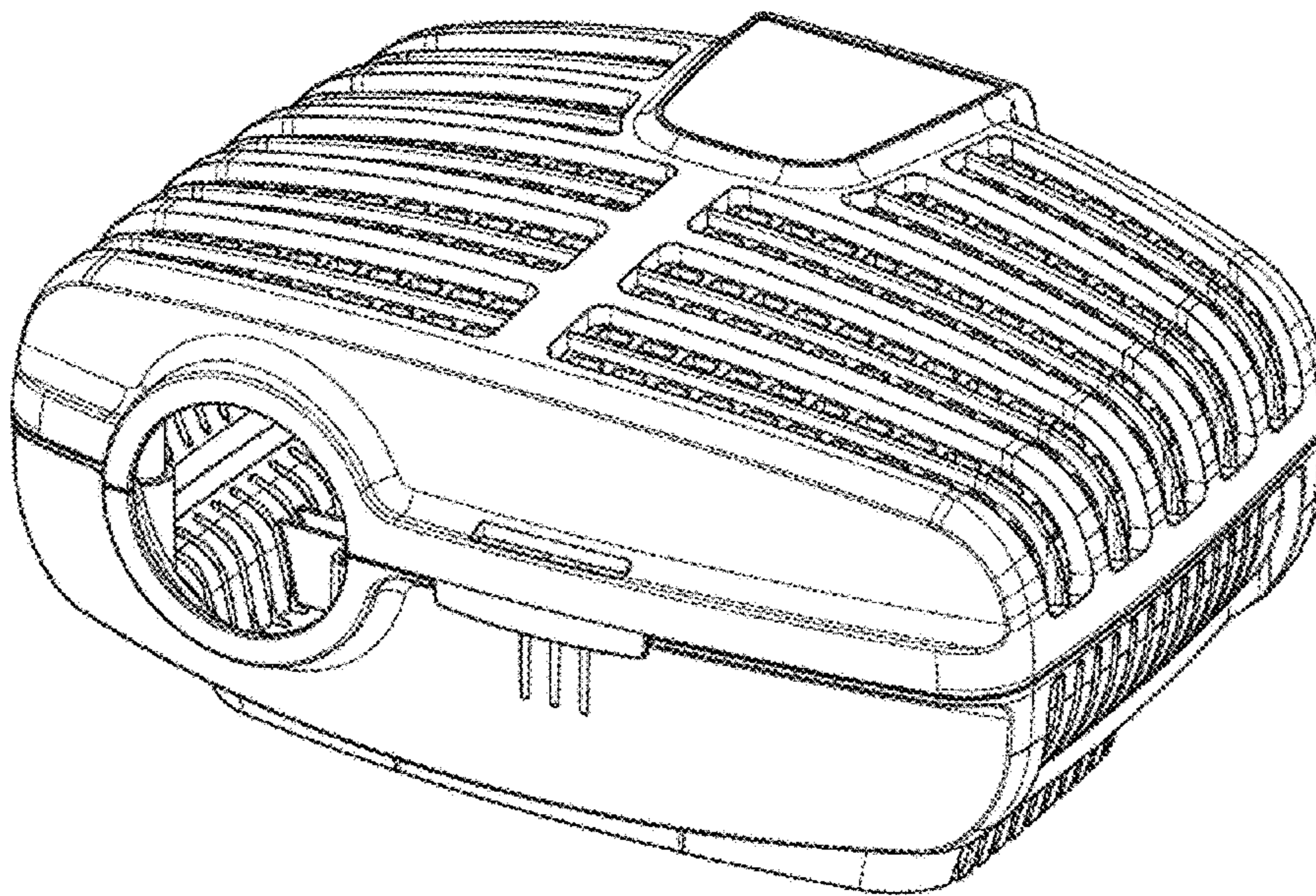
(57) **CLAIM**

The ornamental design for a water pump, as shown and described.

DESCRIPTION

FIG. 1 is a perspective top and front view of my water pump;
FIG. 2 is a top view thereof;
FIG. 3 is a bottom view thereof;
FIG. 4 is a front view thereof;
FIG. 5 is a rear view thereof;
FIG. 6 is a left side view thereof; and,
FIG. 7 is a right side view thereof.
The broken lines in FIGS. 2, 3, 4, and 5 are included for the purpose of illustrating portions of the water pump that form no part of the claimed design.

1 Claim, 7 Drawing Sheets



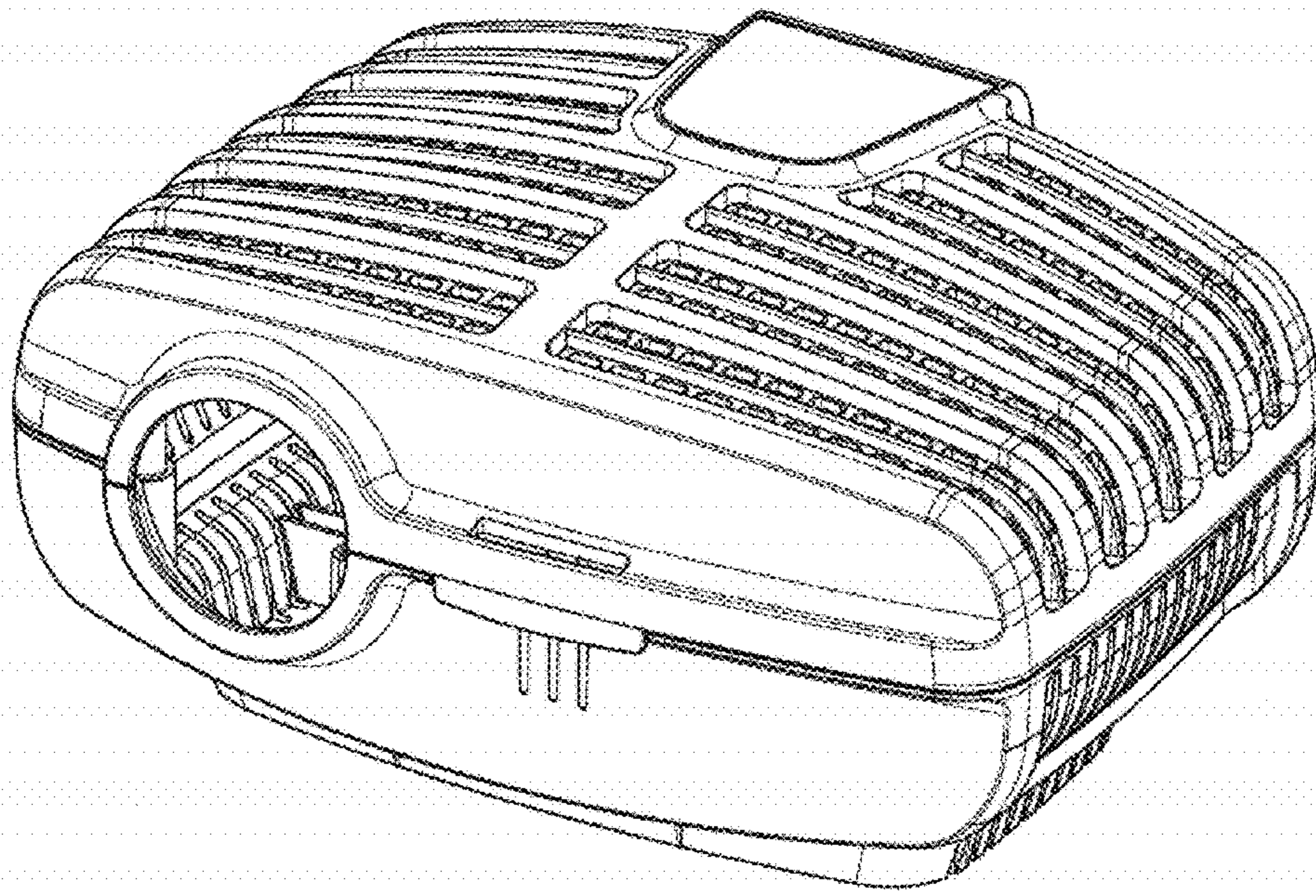


Fig. 1

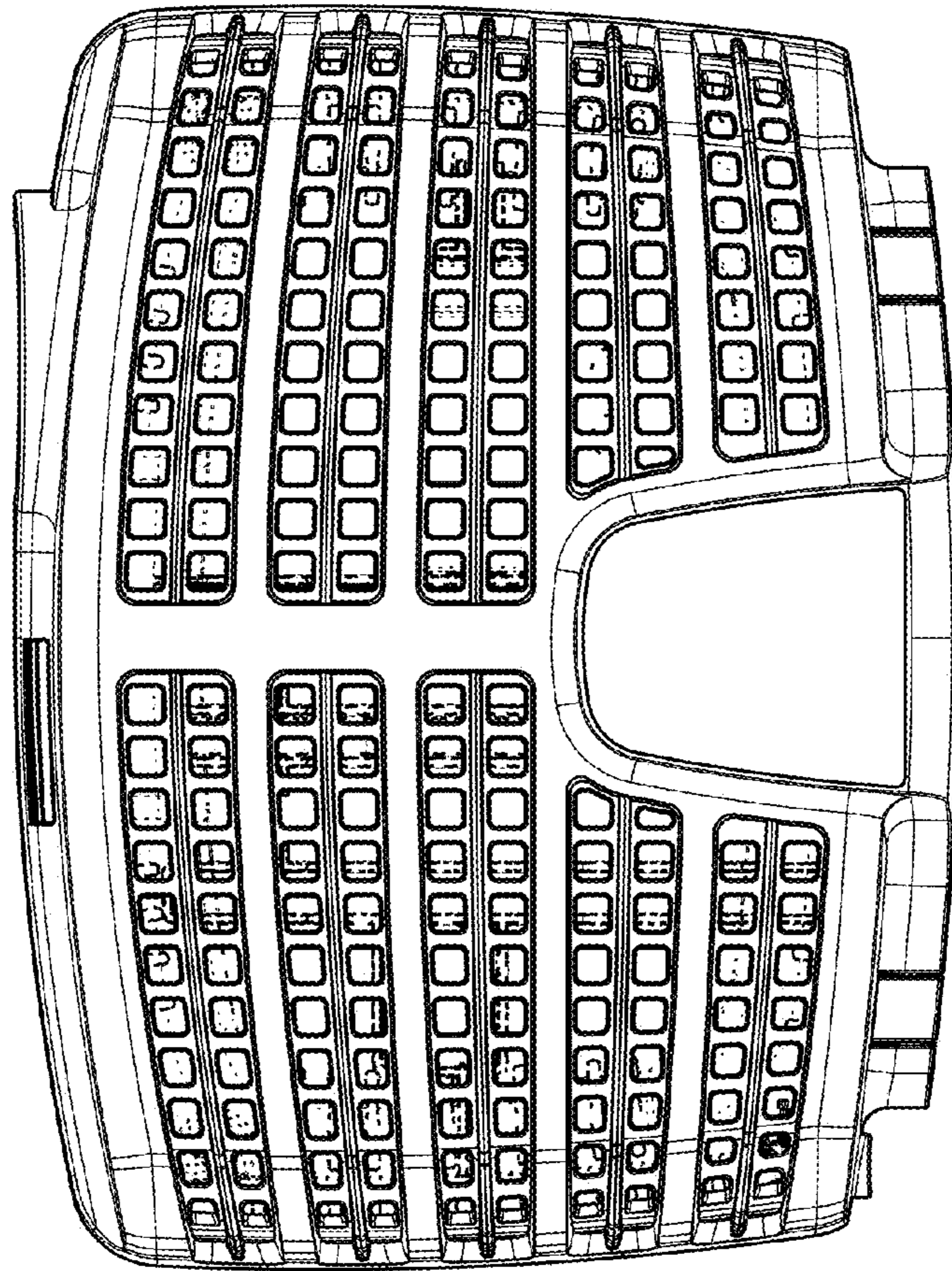


Fig. 2

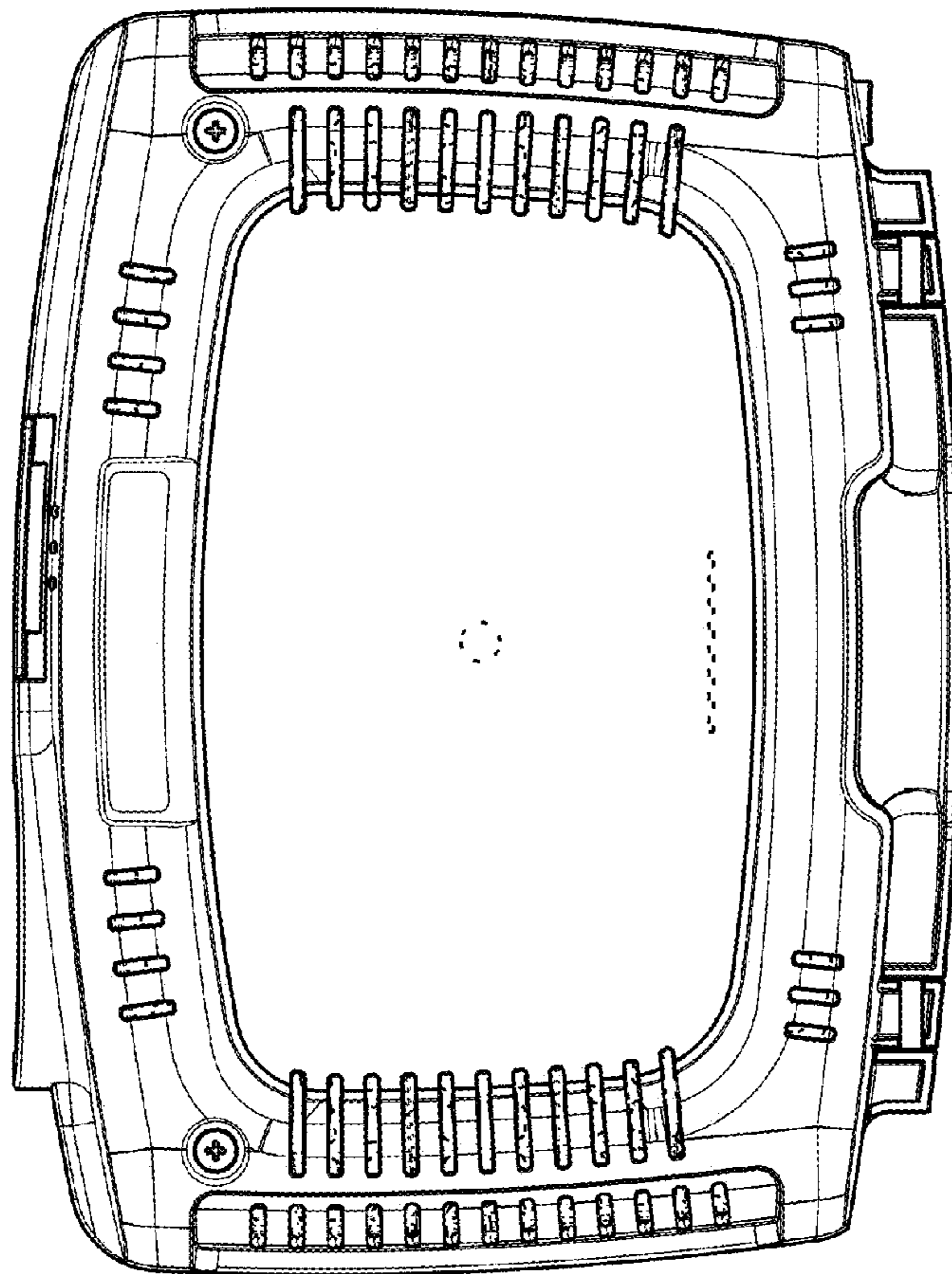


Fig. 3

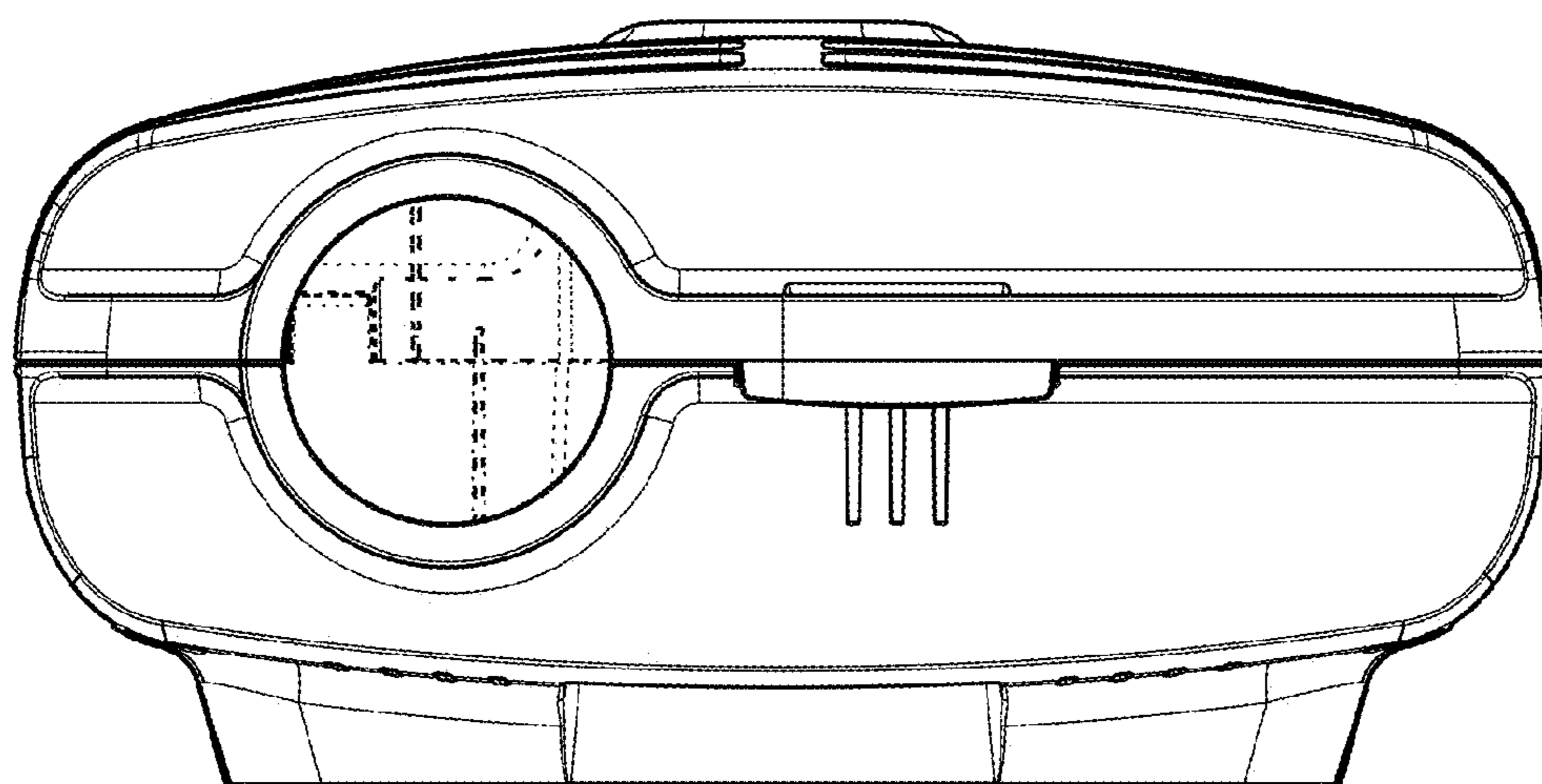


Fig. 4

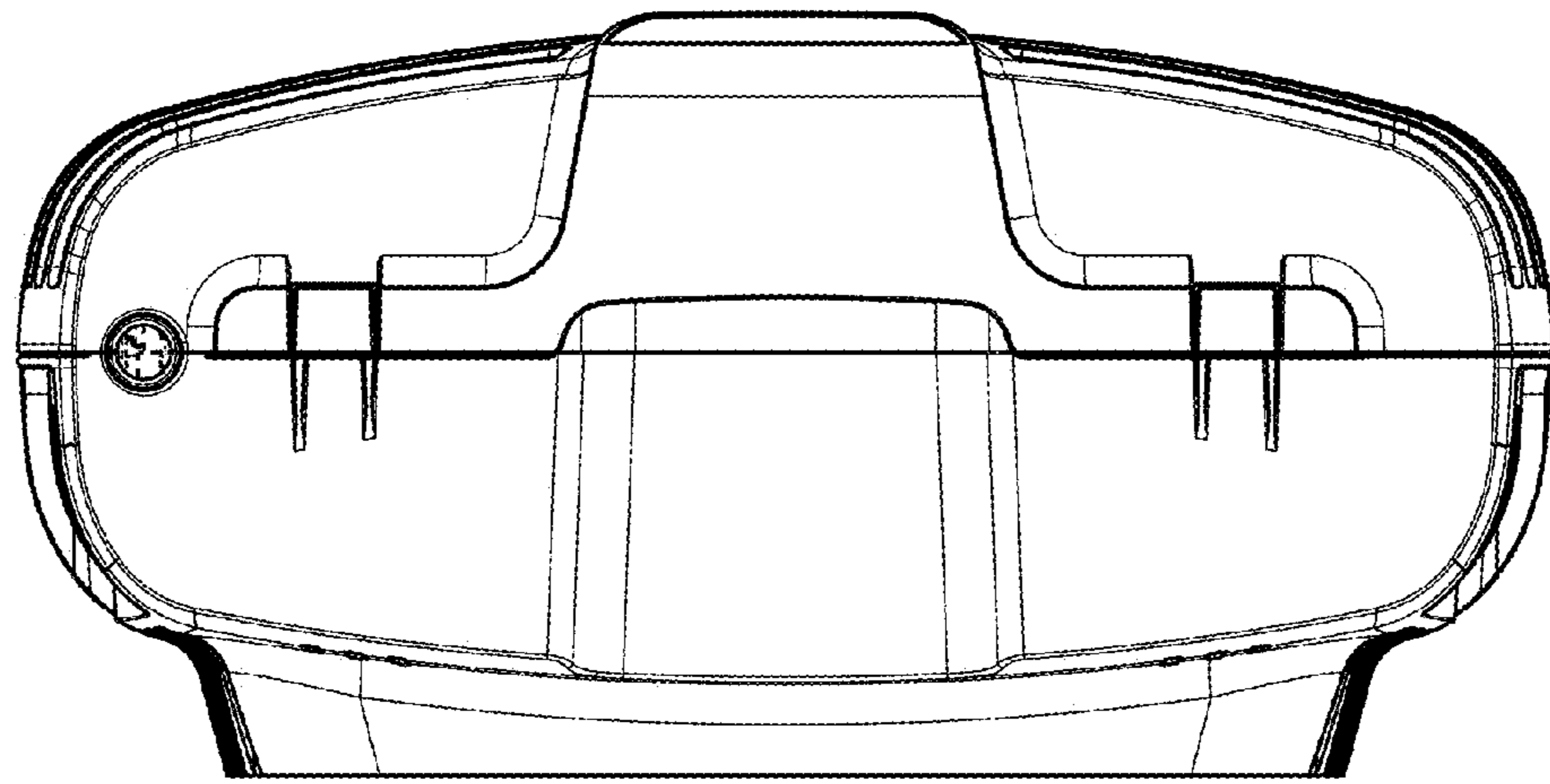


Fig. 5

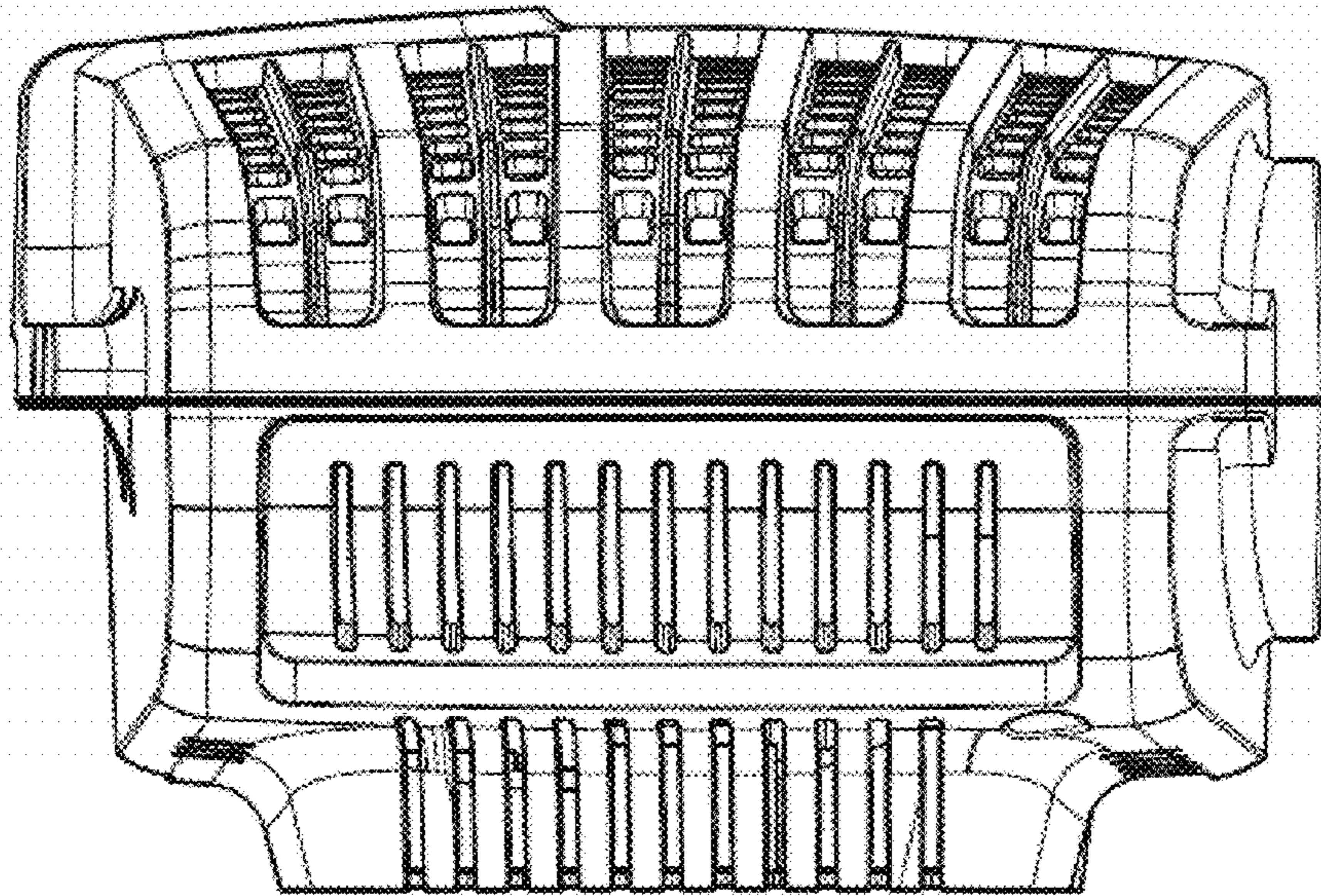


Fig. 6

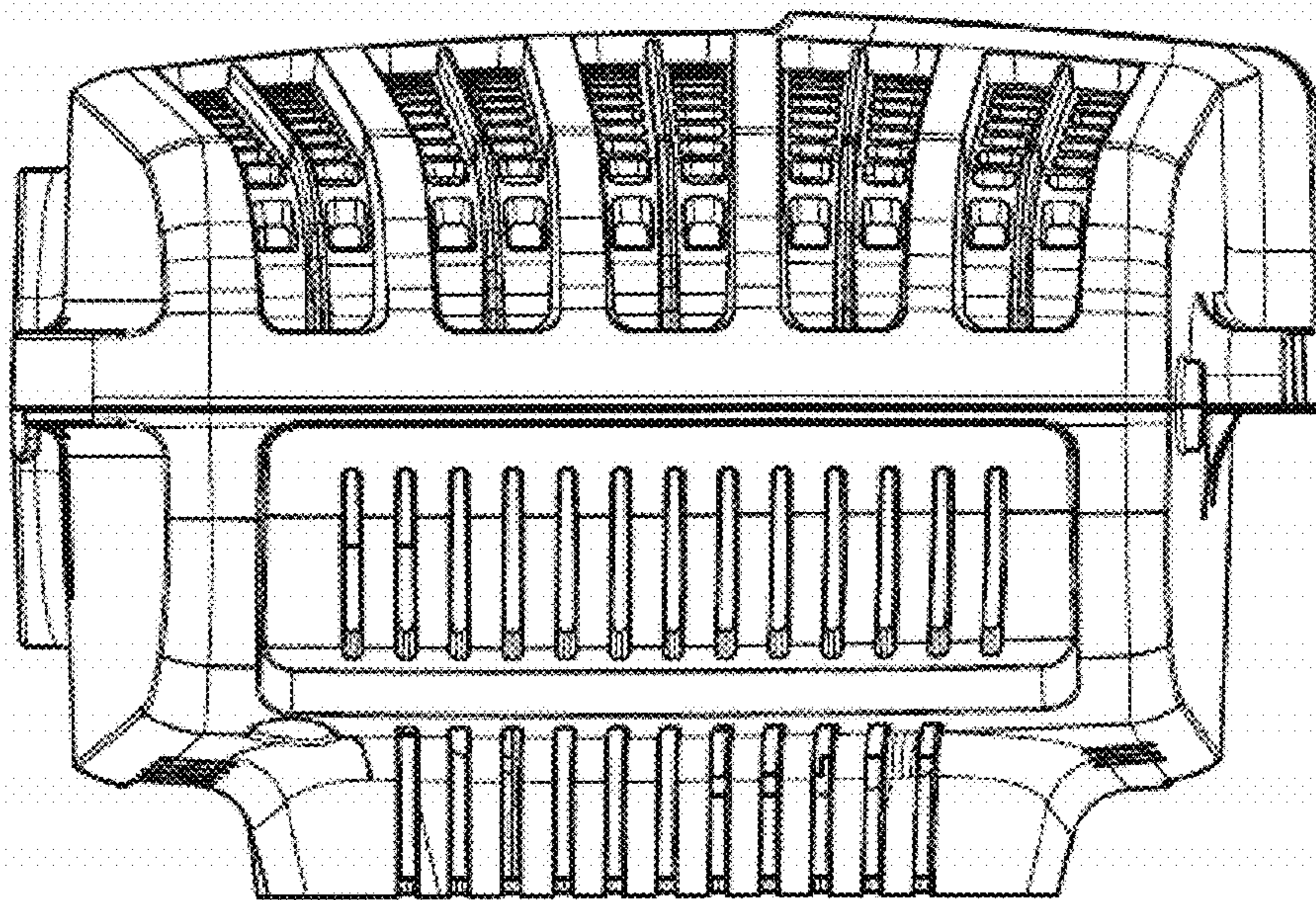


Fig. 7