



US00D711925S

(12) **United States Design Patent**  
**Tejima et al.**

(10) **Patent No.:** **US D711,925 S**

(45) **Date of Patent:** **\*\* Aug. 26, 2014**

(54) **DISC PLAYER**

(75) Inventors: **Keisuke Tejima**, Tokyo (JP); **Qi Zheng**, Tokyo (JP); **Zhongsheng Hong**, Tokyo (JP); **Jun Uchiyama**, Tokyo (JP)

(73) Assignee: **Sony Corporation**, Tokyo (JP)

(\*\*) Term: **14 Years**

(21) Appl. No.: **29/421,200**

(22) Filed: **Jun. 12, 2012**

(30) **Foreign Application Priority Data**

Dec. 13, 2011 (EM) ..... 001961947-0007  
Dec. 13, 2011 (EM) ..... 001961947-0014  
Dec. 13, 2011 (EM) ..... 001961947-0015  
Dec. 13, 2011 (EM) ..... 001961947-0016  
Dec. 13, 2011 (EM) ..... 001961947-0017

(51) **LOC (10) Cl.** ..... **14-03**

(52) **U.S. Cl.**  
USPC ..... **D14/500**

(58) **Field of Classification Search**

USPC ..... D14/125-135, 155, 157, 160, 167-172,  
D14/188-198, 240, 242, 243, 348-358, 363,  
D14/365, 367, 368, 496-511, 165, 166, 175,  
D14/203.1, 203.8; D16/221-236;  
D21/324-330, 332, 333; 360/99.01;  
369/75.11, 75.21, 76, 77.11, 77.21,  
369/78-82; 455/347-351; 220/4.01, 4.02;  
379/413.04; 381/74; 463/46; 715/727

See application file for complete search history.

(56) **References Cited**

**U.S. PATENT DOCUMENTS**

D197,232 S \* 12/1963 Spirt ..... D14/235  
D198,051 S \* 4/1964 Frankel ..... D14/197  
D369,168 S 4/1996 Yano  
D385,562 S 10/1997 Niijima et al.

D401,580 S 11/1998 Goto  
D413,593 S 9/1999 Suzuki et al.  
D421,001 S \* 2/2000 Miyashita ..... D14/496  
D480,693 S \* 10/2003 Johansson et al. .... D14/502  
D500,299 S 12/2004 Obata  
D505,130 S 5/2005 Yuyama  
D515,067 S \* 2/2006 Yoshitake et al. .... D14/168  
D532,784 S 11/2006 Kutaragi et al.  
D534,166 S 12/2006 Kutaragi et al.  
D539,261 S 3/2007 Hyodo

(Continued)

**FOREIGN PATENT DOCUMENTS**

CN 301659689 S 8/2011  
CN 301794404 S 1/2012

(Continued)

*Primary Examiner* — Stella Reid

*Assistant Examiner* — Janice Lim

(74) *Attorney, Agent, or Firm* — Rader, Fishman & Grauer PLLC

(57) **CLAIM**

The ornamental design for a disc player, as shown and described.

**DESCRIPTION**

FIG. 1 is a perspective view of a disc player showing my new design;

FIG. 2 is a front elevation view thereof;

FIG. 3 is a rear elevation view thereof;

FIG. 4 is a left side elevation view thereof;

FIG. 5 is a right side elevation view thereof;

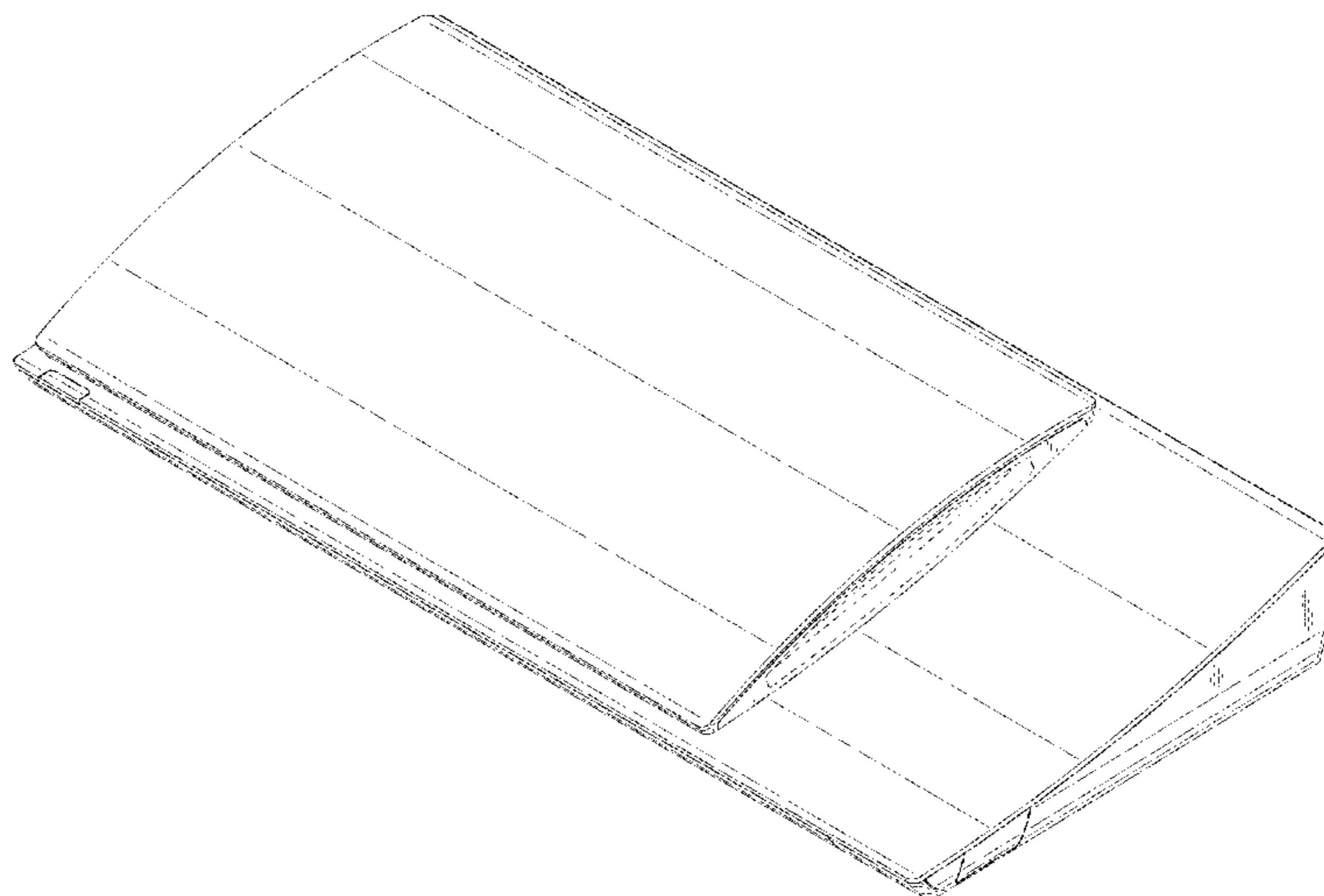
FIG. 6 is a top plan view thereof; and

FIG. 7 is a cross section view thereof, taken along the line 7-7 in FIG. 2; and,

FIG. 8 is a cross section view thereof, taken along the line 8-8 in FIG. 2.

The broken lines show unclaimed subject matters only and form no part of the claimed design.

**1 Claim, 6 Drawing Sheets**



(56)

**References Cited**

U.S. PATENT DOCUMENTS

D539,262 S 3/2007 Hyodo  
D554,604 S 11/2007 Sogabe  
D574,360 S 8/2008 Matsuoka  
D578,975 S \* 10/2008 Mochizuki et al. .... D14/502  
D580,385 S \* 11/2008 Tejima et al. .... D14/500  
D626,554 S 11/2010 Sogabe  
D635,583 S 4/2011 Otani  
D654,088 S \* 2/2012 Chung et al. .... D14/500

D692,060 S \* 10/2013 Lintz et al. .... D21/325  
D692,473 S \* 10/2013 Kawaguchi et al. .... D16/202  
D695,315 S \* 12/2013 Baggio et al. .... D14/496

FOREIGN PATENT DOCUMENTS

WO WO-001884073-0003 S 10/2011  
WO WO-001884073-0004 S 10/2011  
WO WO-001884073-0005 S 10/2011  
WO WO-001882713-0001 S 2/2012

\* cited by examiner

FIG. 1

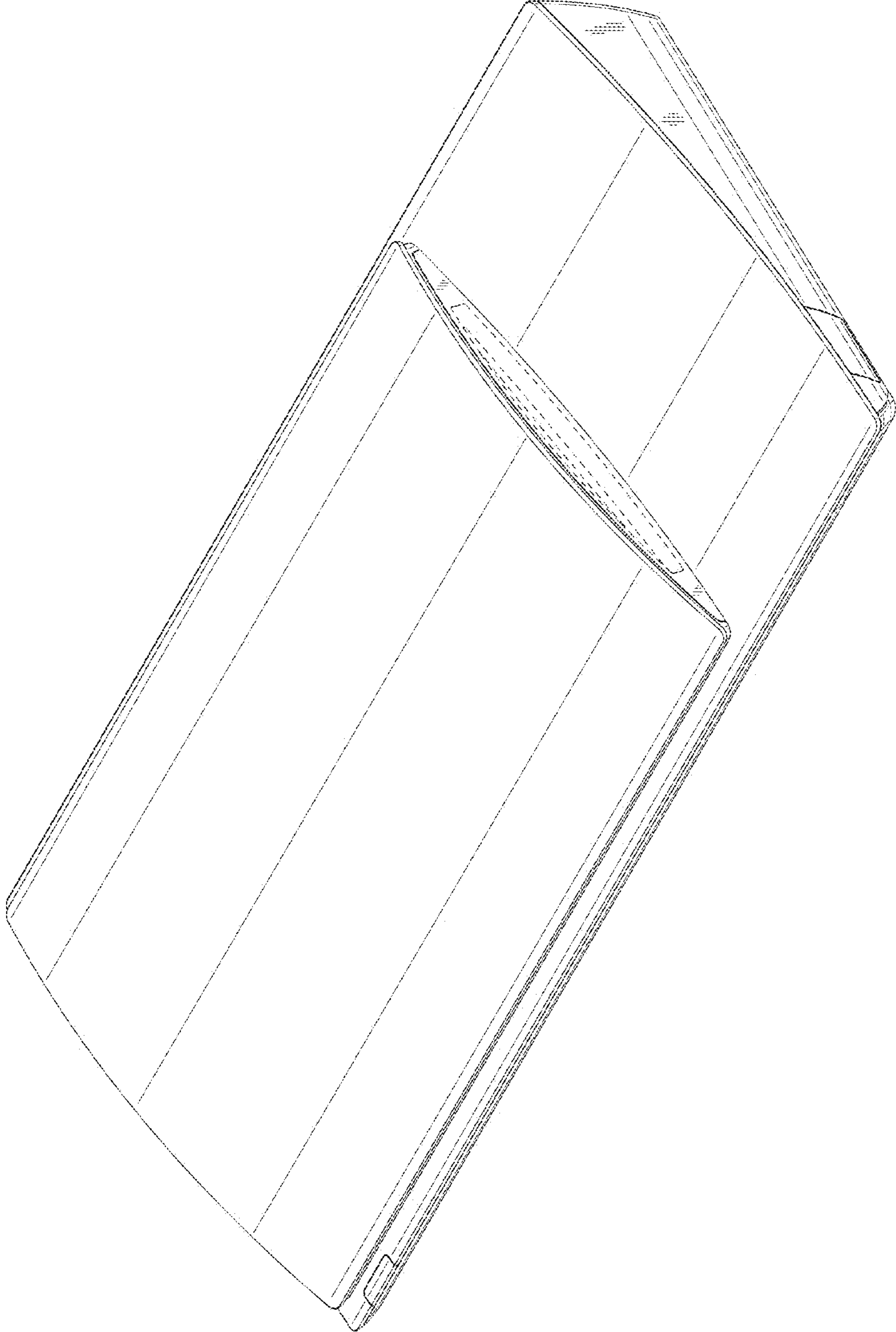


FIG.2

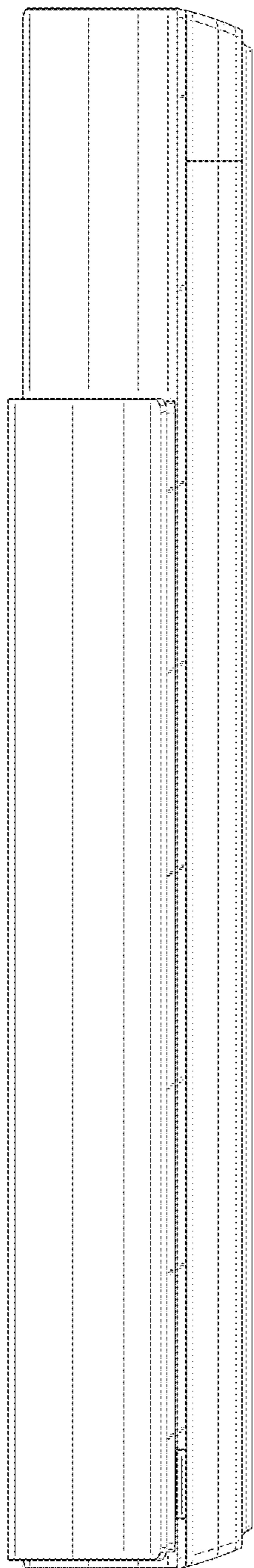


FIG.3

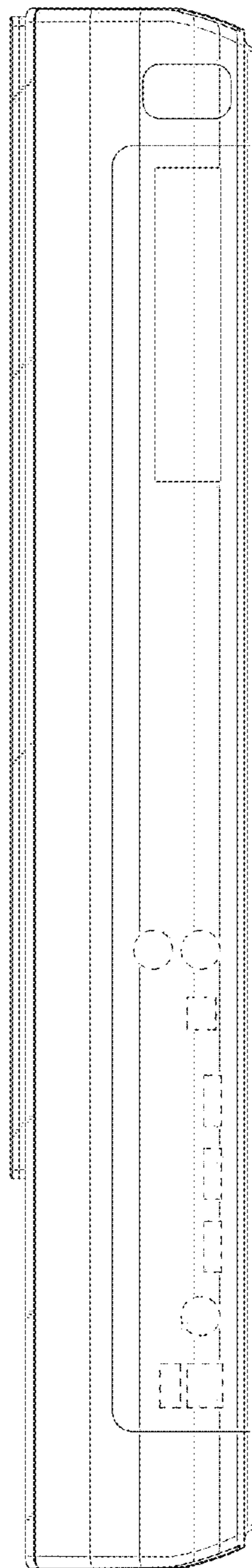


FIG.4

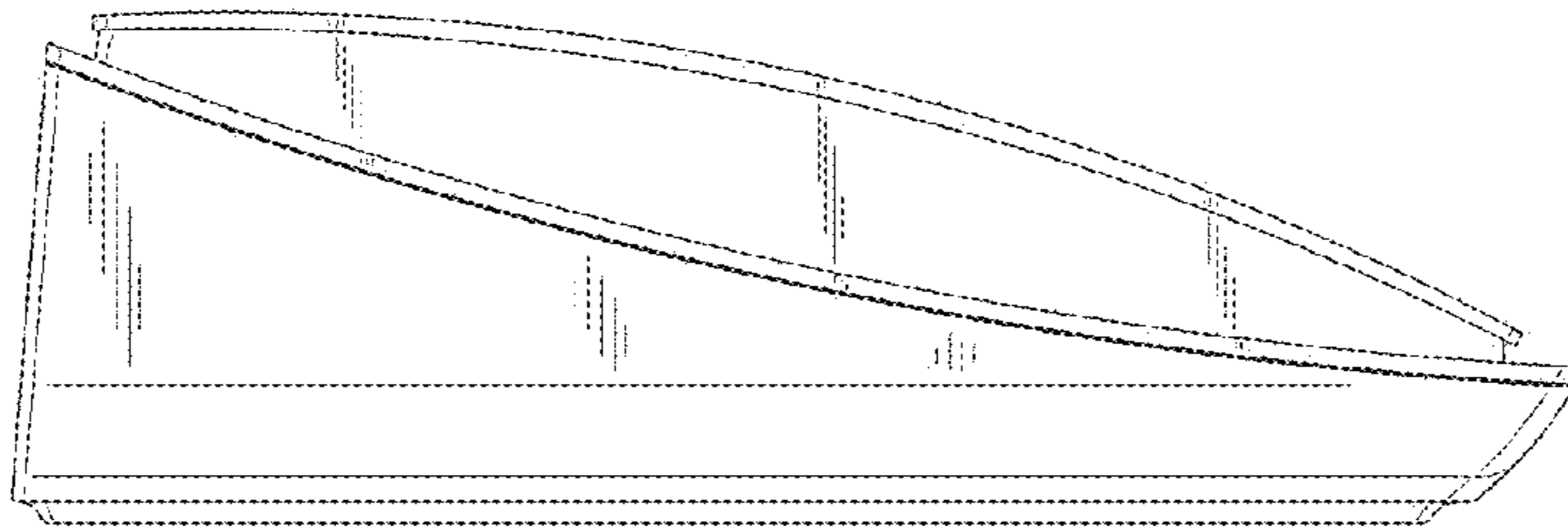


FIG.5

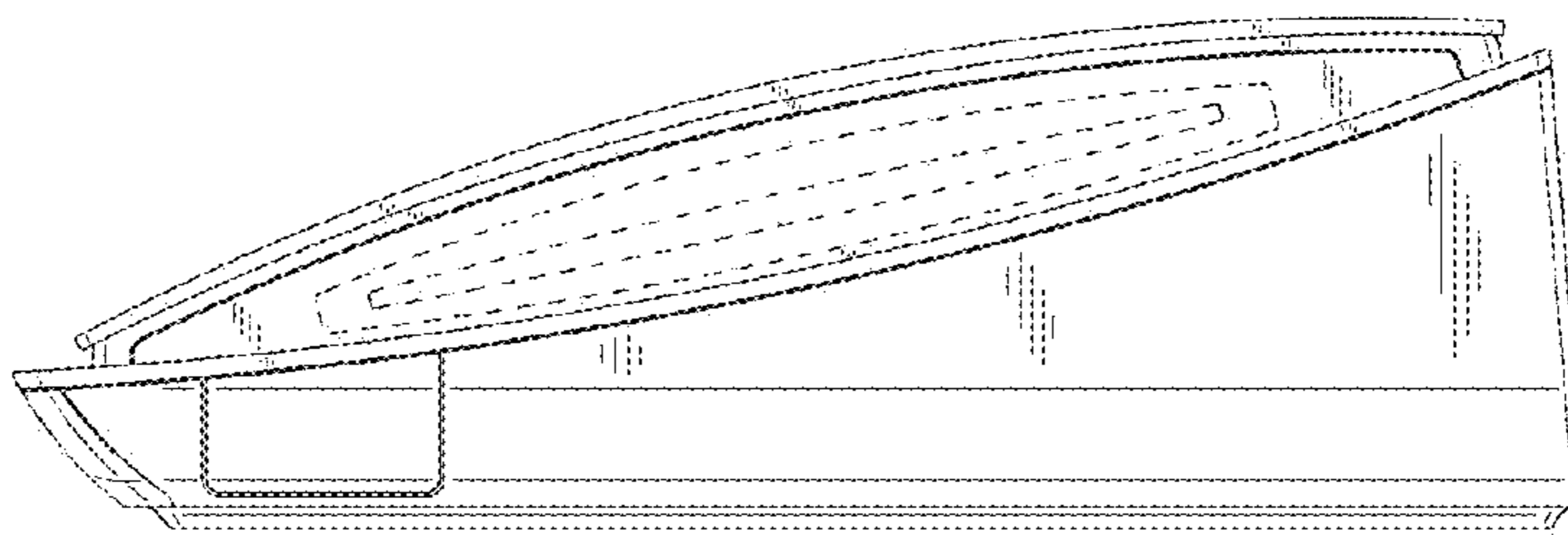


FIG. 6

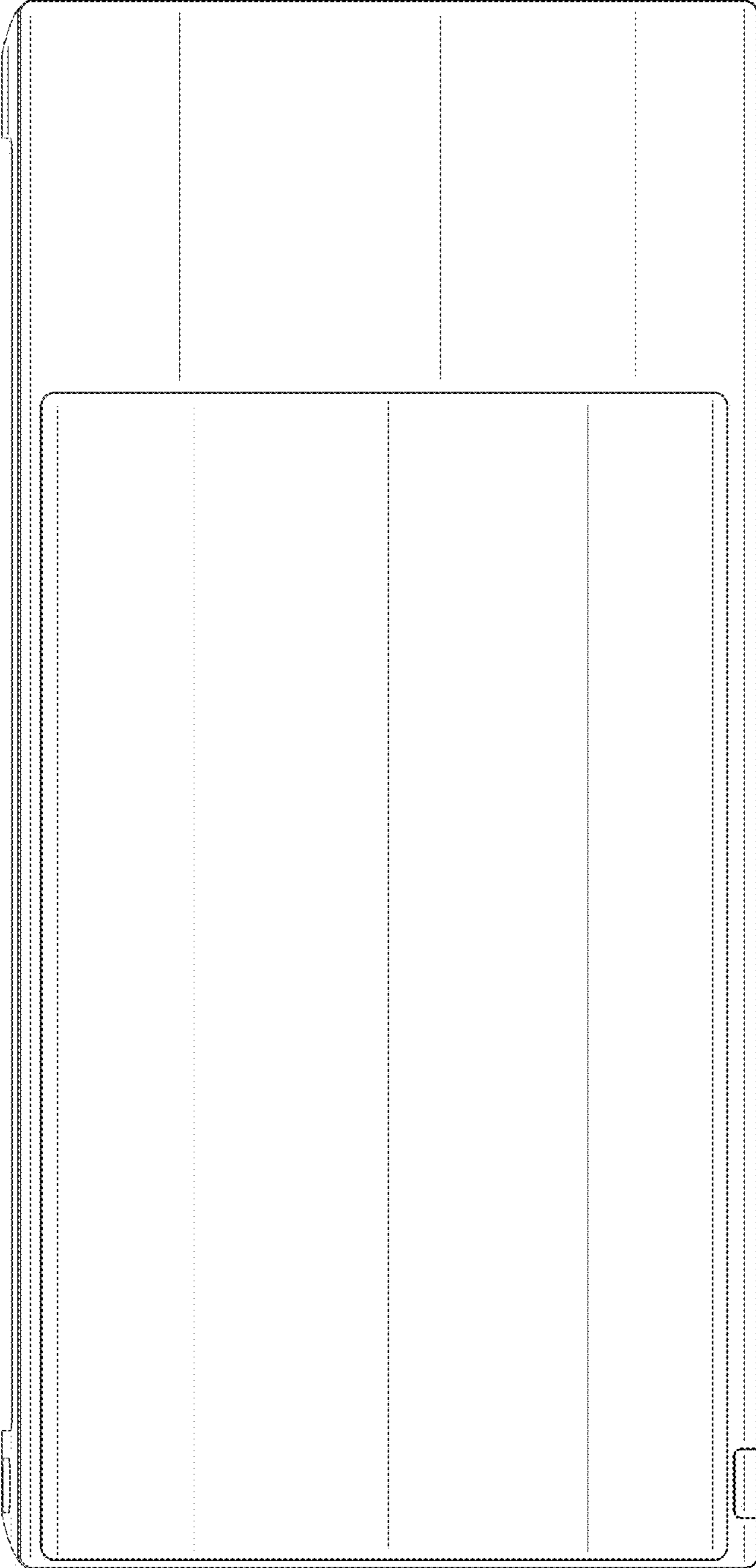


FIG.7

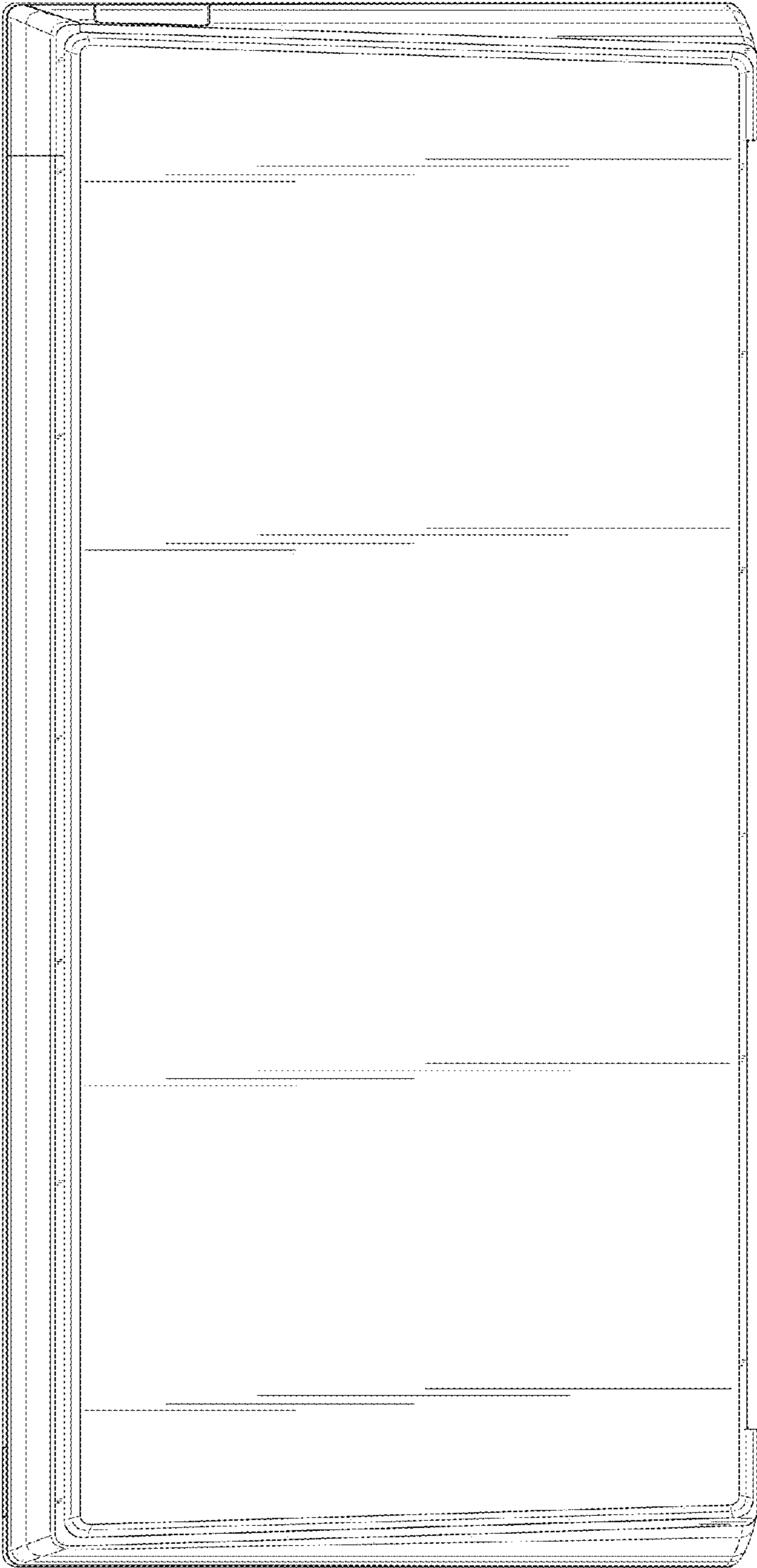


FIG.8

