



US00D711924S

(12) **United States Design Patent**
Akana et al.

(10) **Patent No.:** **US D711,924 S**
(45) **Date of Patent:** **** Aug. 26, 2014**

(54) **ELECTRONIC DEVICE**

(71) Applicant: **Apple Inc.**, Cupertino, CA (US)

(72) Inventors: **Jody Akana**, San Francisco, CA (US);
Bartley K. Andre, Palo Alto, CA (US);
Jeremy Bataillou, San Francisco, CA (US);
Daniel J. Coster, San Francisco, CA (US);
Daniele De Iuliis, San Francisco, CA (US);
M. Evans Hankey, San Francisco, CA (US);
Richard P. Howarth, San Francisco, CA (US);
Jonathan P. Ive, San Francisco, CA (US);
Duncan Robert Kerr, San Francisco, CA (US);
Shin Nishibori, Kailua, HI (US);
Matthew Dean Rohrbach, San Francisco, CA (US);
Peter Russell-Clarke, San Francisco, CA (US);
Christopher J. Stringer, Woodside, CA (US);
Eugene Antony Whang, San Francisco, CA (US);
Rico Zörkendörfer, San Francisco, CA (US)

(73) Assignee: **Apple Inc.**, Cupertino, CA (US)

(**) Term: **14 Years**

(21) Appl. No.: **29/468,140**

(22) Filed: **Sep. 26, 2013**

Related U.S. Application Data

(63) Continuation of application No. 29/449,810, filed on Mar. 15, 2013, now Pat. No. Des. 690,739, which is a
(Continued)

(51) **LOC (10) Cl.** **14-03**

(52) **U.S. Cl.**
USPC **D14/496**

(58) **Field of Classification Search**
USPC D14/496, 401, 435, 474, 483, 217, 137,
D14/138, 160, 168, 356, 203.1–203.8, 507;
345/156, 169, 173–179, 905;

715/727–729, 864; 710/1, 5, 8; 713/1,
713/600; 455/1.1, 1.7, 73, 344–347, 93, 95,
455/3.01–3.06, 550.1, 573.1; 370/342–344;
369/1, 2, 6–12; 463/43–47; 273/148 B
See application file for complete search history.

(56) **References Cited**

U.S. PATENT DOCUMENTS

5,808,862 A 9/1998 Robbins
D408,794 S 4/1999 Ogasawara

(Continued)

OTHER PUBLICATIONS

Wilson, M., “Is This the Next iPod Shuffle?”, Gizmodo, accessed at
<<http://gizmodo.com/5583144/is-this-the-next-ipod-shuffle>>,
retrieved Dec. 17, 2010, 2 pages.

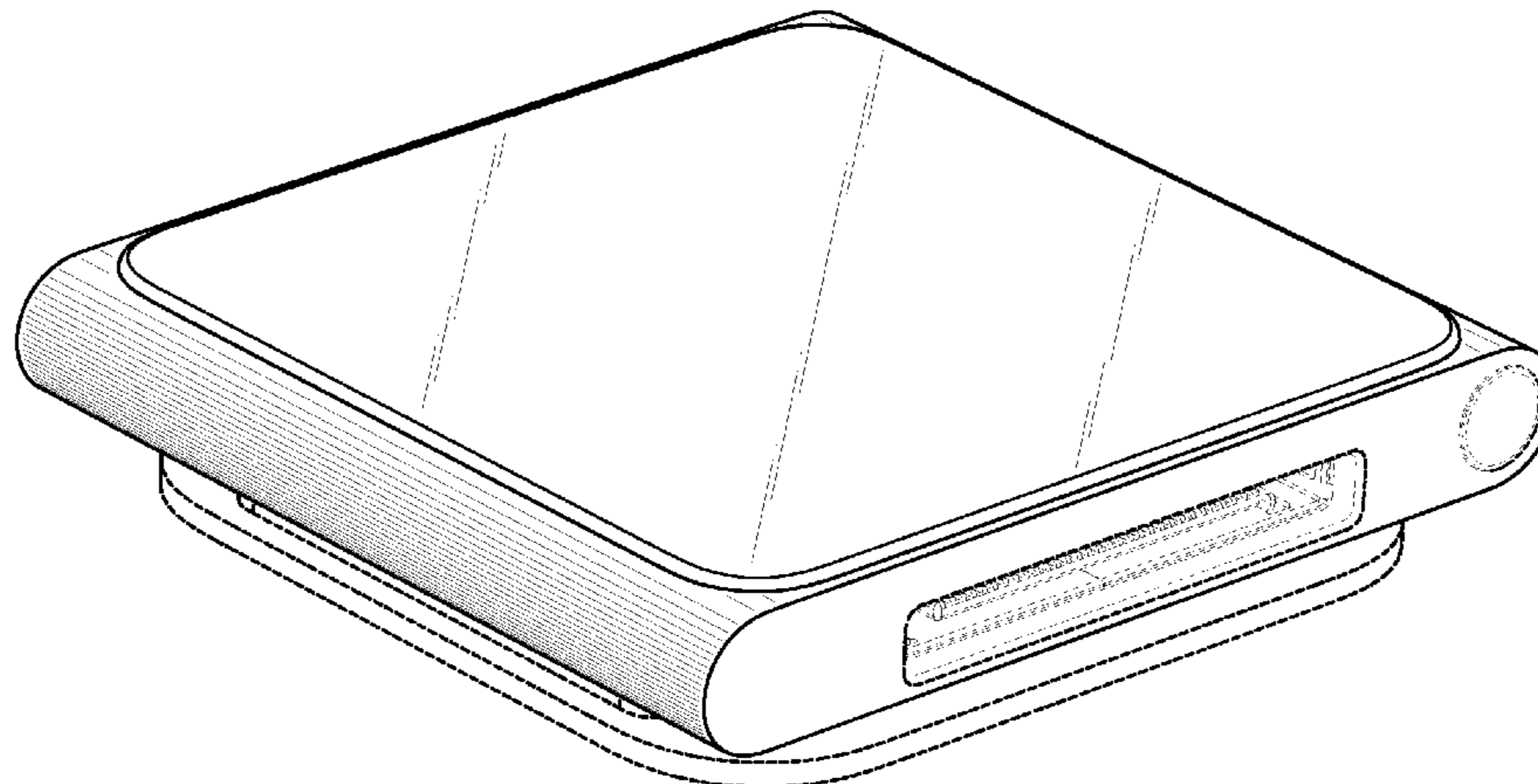
Primary Examiner — Prabhakar Deshmukh
(74) *Attorney, Agent, or Firm* — Sterne, Kessler, Goldstein
& Fox P.L.L.C.

(57) **CLAIM**
The ornamental design for an electronic device, as shown and
described.

DESCRIPTION

FIG. 1 is a front bottom perspective view of an electronic device showing our new design;
FIG. 2 is a rear bottom perspective view thereof;
FIG. 3 is a rear top perspective view thereof;
FIG. 4 is a front top perspective view thereof;
FIG. 5 is a front view thereof;
FIG. 6 is a rear view thereof;
FIG. 7 is a bottom view thereof;
FIG. 8 is a top view thereof;
FIG. 9 is a side view thereof; and,
FIG. 10 is another side view thereof.
The broken lines in the Figures show portions of the electronic device that form no part of the claimed design.

1 Claim, 8 Drawing Sheets



Related U.S. Application Data

continuation of application No. 29/428,517, filed on Jul. 31, 2012, now Pat. No. Des. 678,336, which is a continuation of application No. 29/413,693, filed on Feb. 17, 2012, now Pat. No. Des. 664,995, which is a continuation of application No. 29/391,989, filed on May 16, 2011, now Pat. No. Des. 654,506, which is a continuation of application No. 29/367,996, filed on Aug. 16, 2010, now Pat. No. Des. 638,030.

(56)

References Cited

U.S. PATENT DOCUMENTS

D441,735 S 5/2001 Katayama
6,254,477 B1 * 7/2001 Sasaki et al. 463/1
D459,339 S 6/2002 Tong
D478,076 S 8/2003 Hong

D480,372 S * 10/2003 Chen et al. D14/507
D488,472 S 4/2004 Haase et al.
D490,796 S 6/2004 Allen
D512,977 S * 12/2005 Chan D14/500
D513,611 S 1/2006 Hibi
D516,579 S 3/2006 Nakamura
D517,065 S 3/2006 Ko et al.
D531,157 S * 10/2006 Lheem D14/138 AB
D538,795 S * 3/2007 Wong et al. D14/240
D542,784 S * 5/2007 Franck et al. D14/240
D546,202 S 7/2007 Chang
D560,228 S 1/2008 Andre et al.
D577,990 S 10/2008 Andre et al.
D590,826 S 4/2009 Andre et al.
D627,367 S 11/2010 Andre et al.
D638,030 S 5/2011 Akana et al.
D638,443 S 5/2011 Akana et al.
D673,975 S * 1/2013 Akana et al. D14/496

* cited by examiner

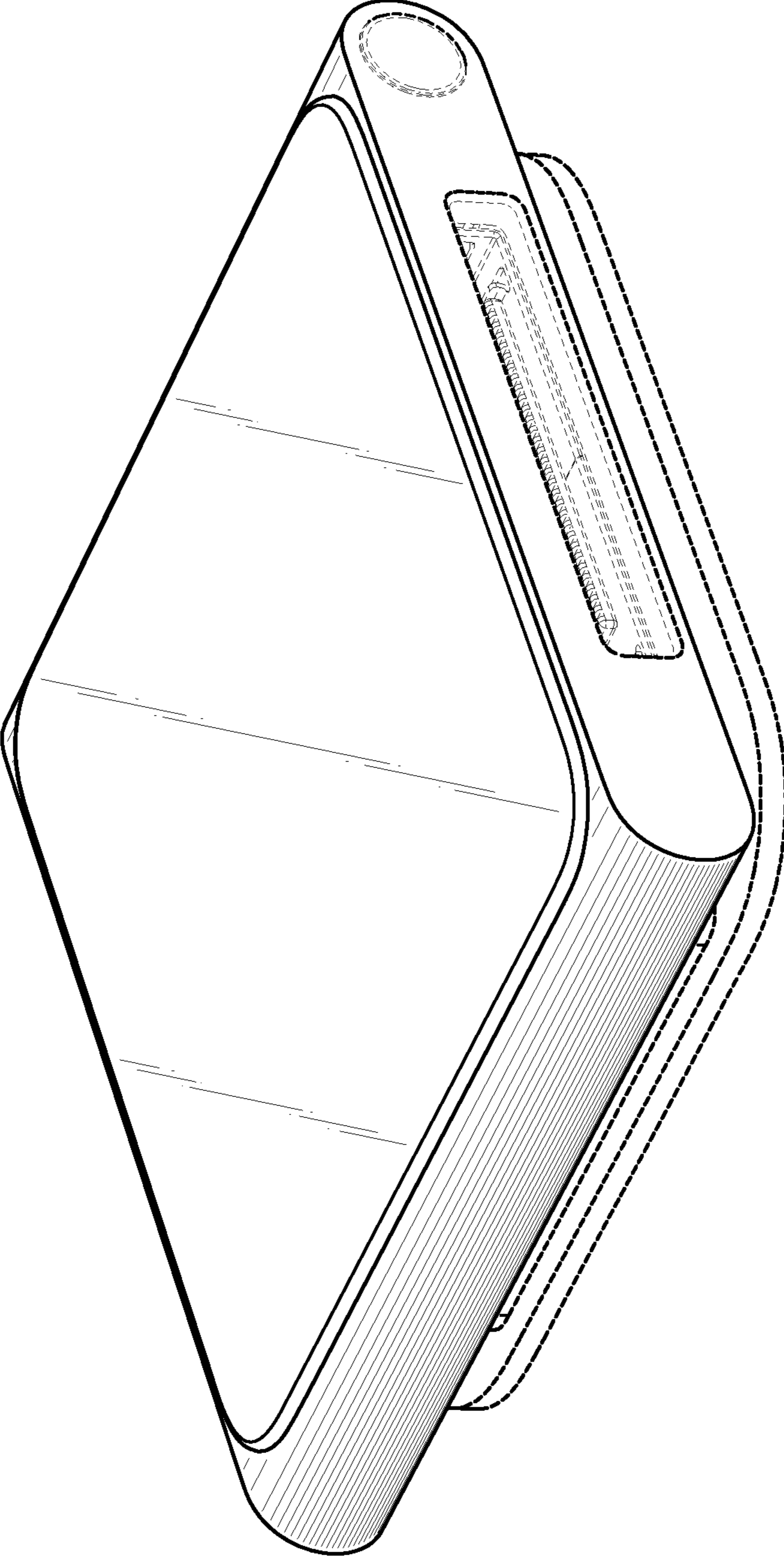


FIG.1

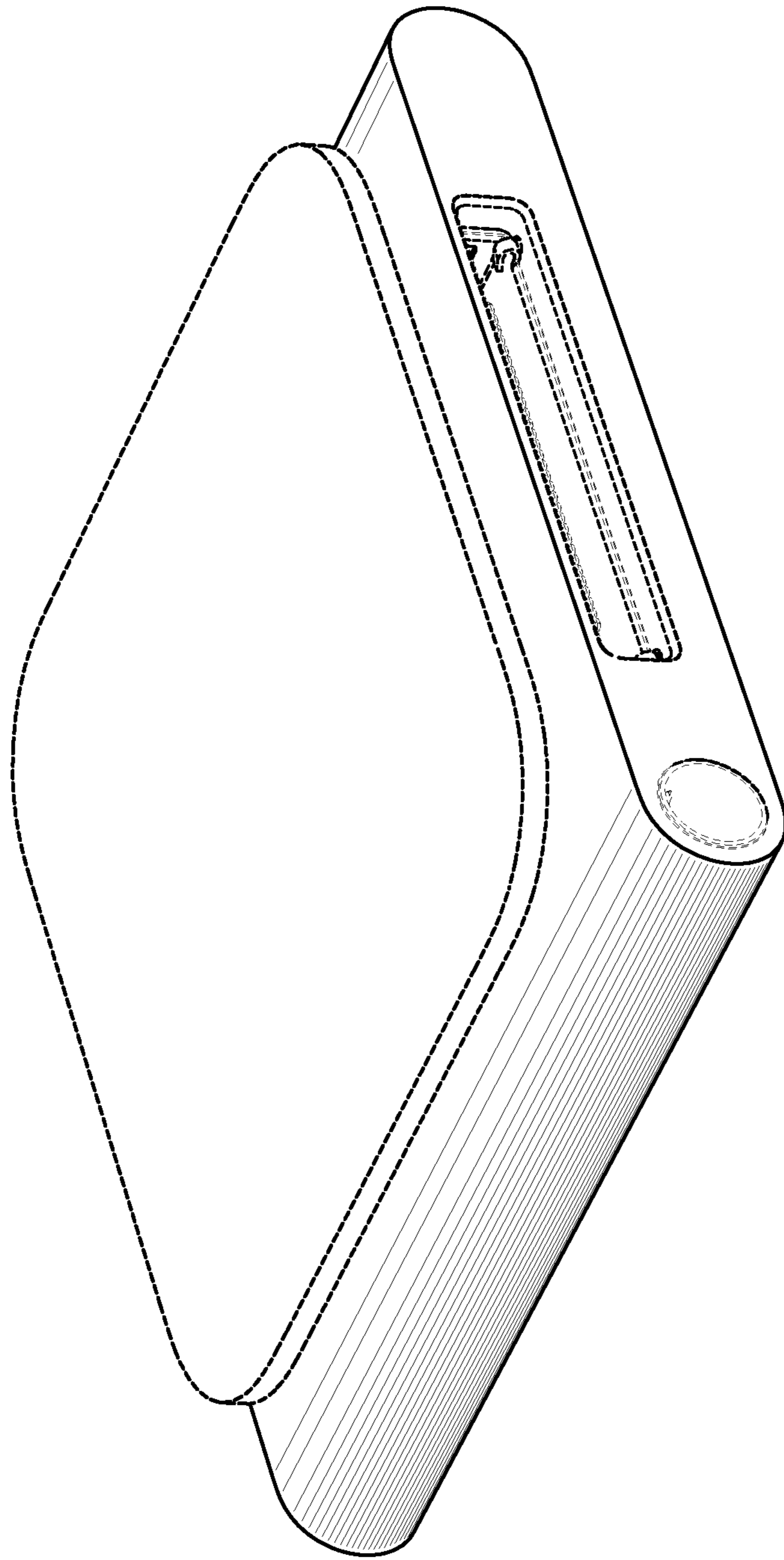


FIG.2

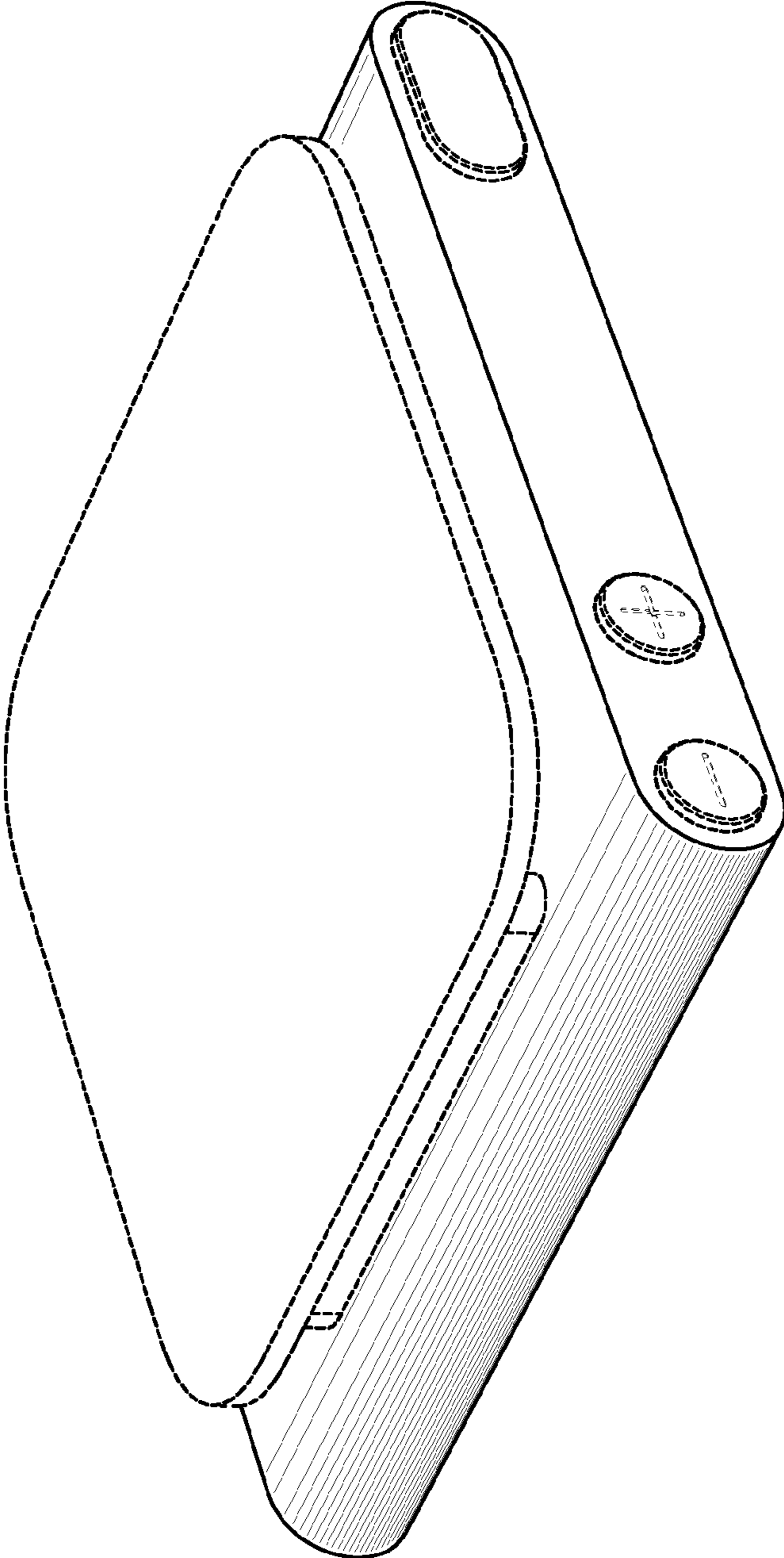


FIG.3

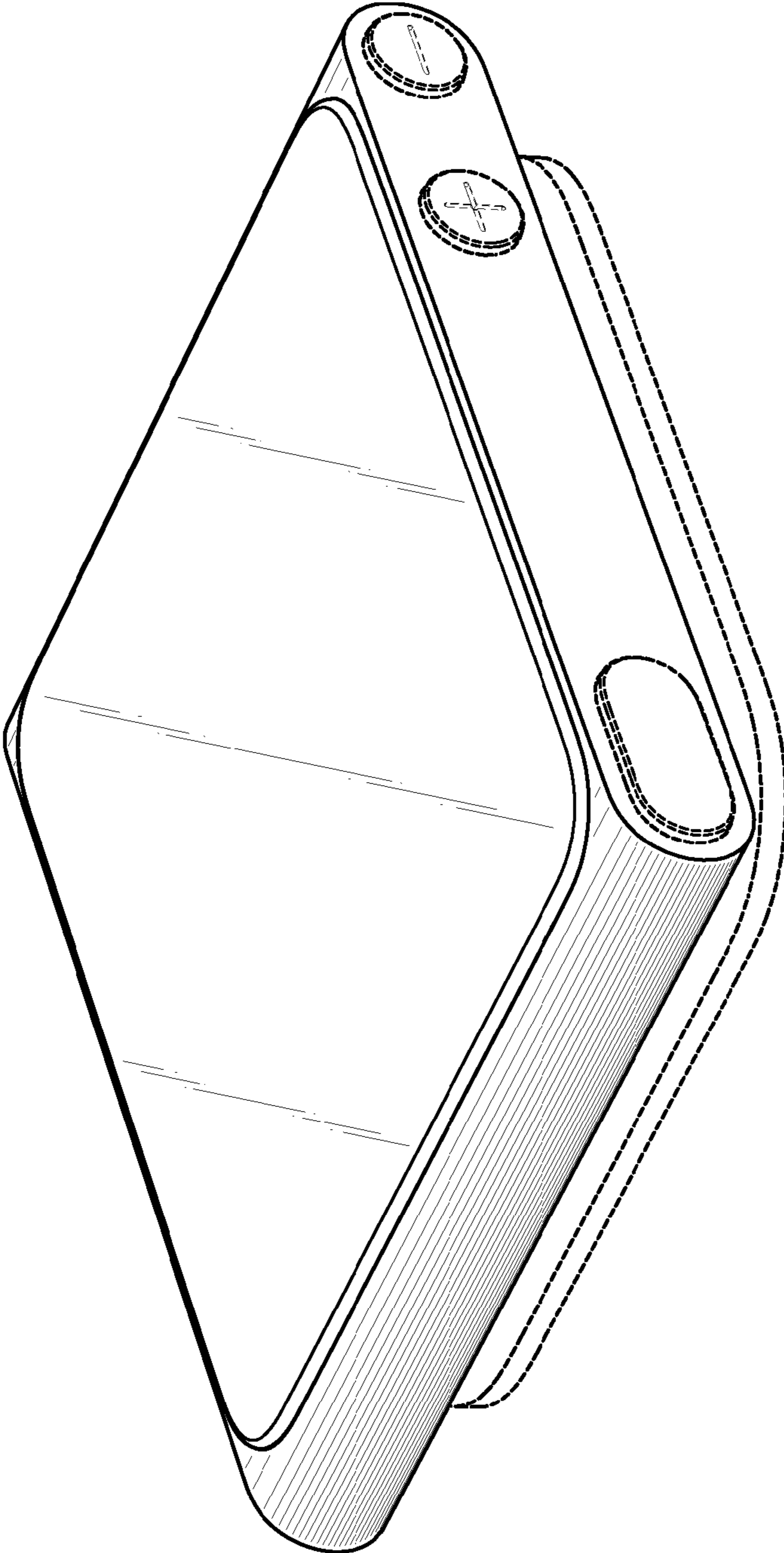


FIG.4

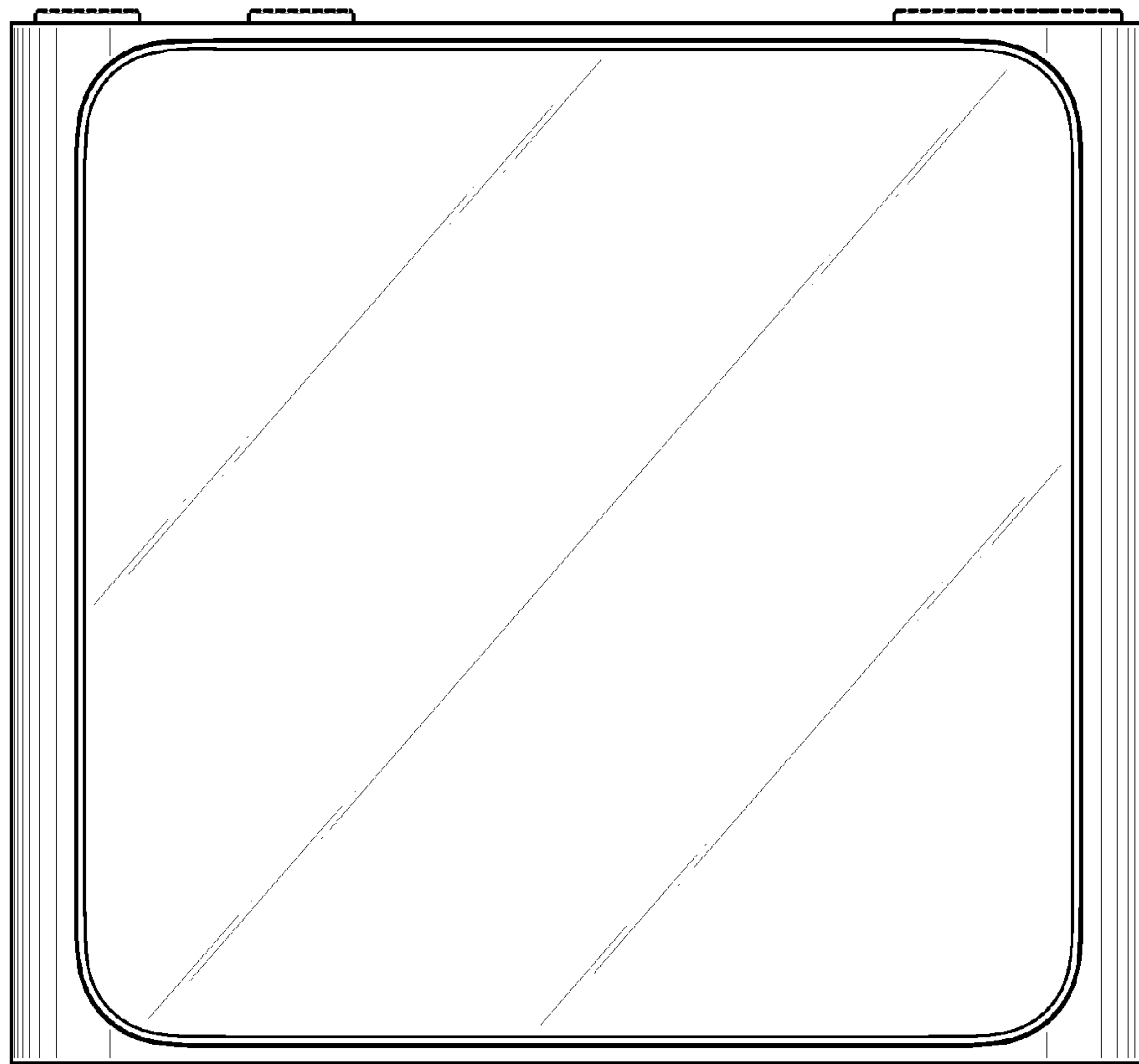


FIG.5

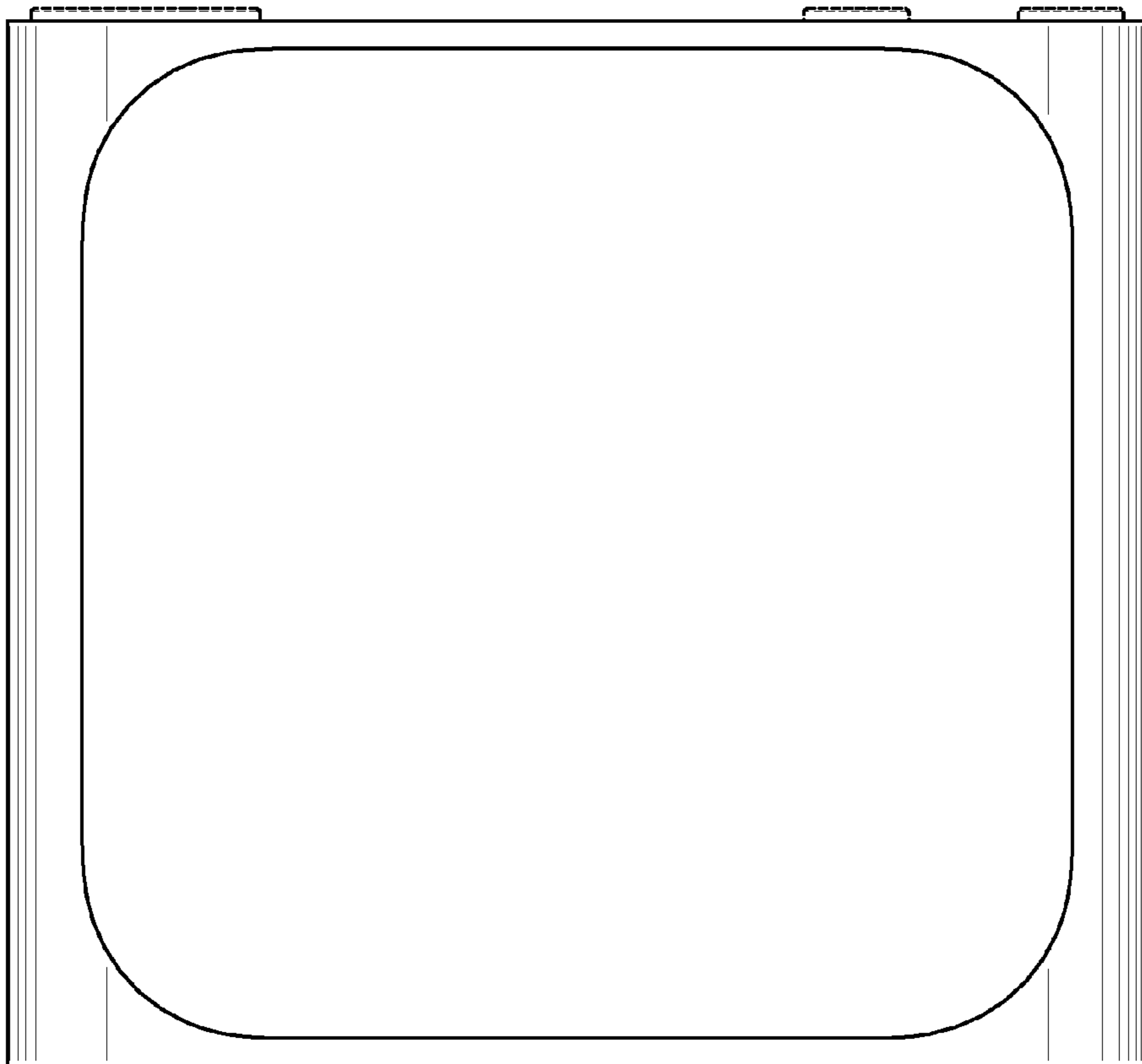


FIG.6

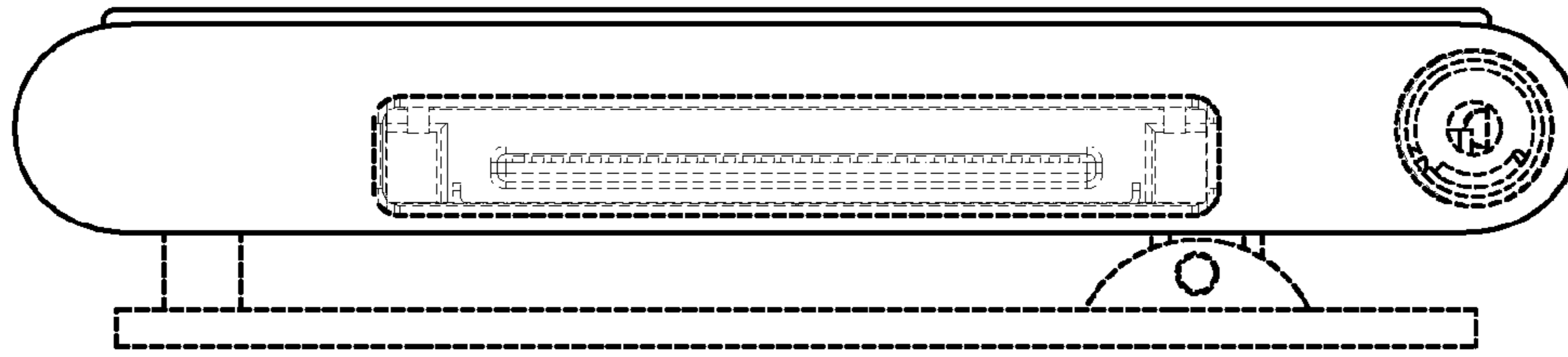


FIG. 7

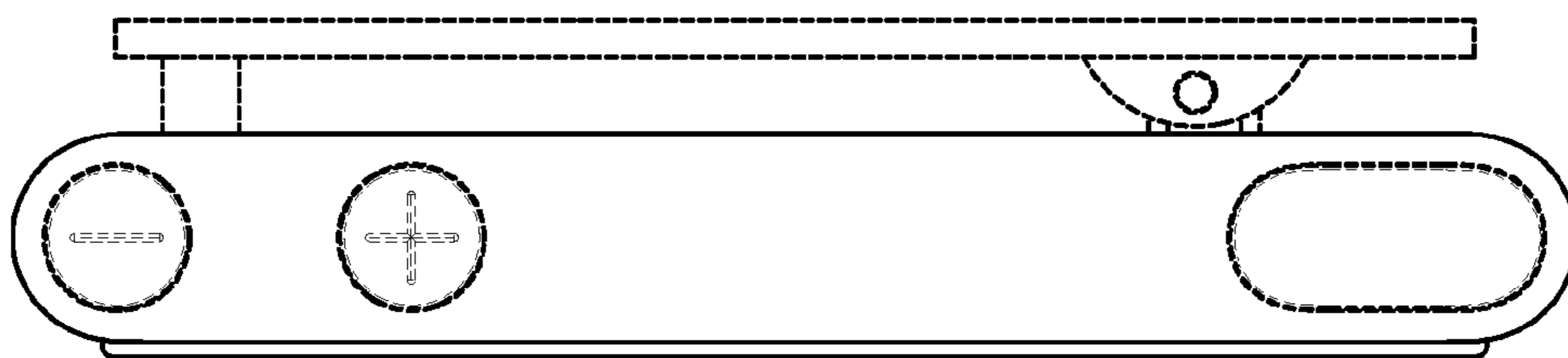


FIG. 8

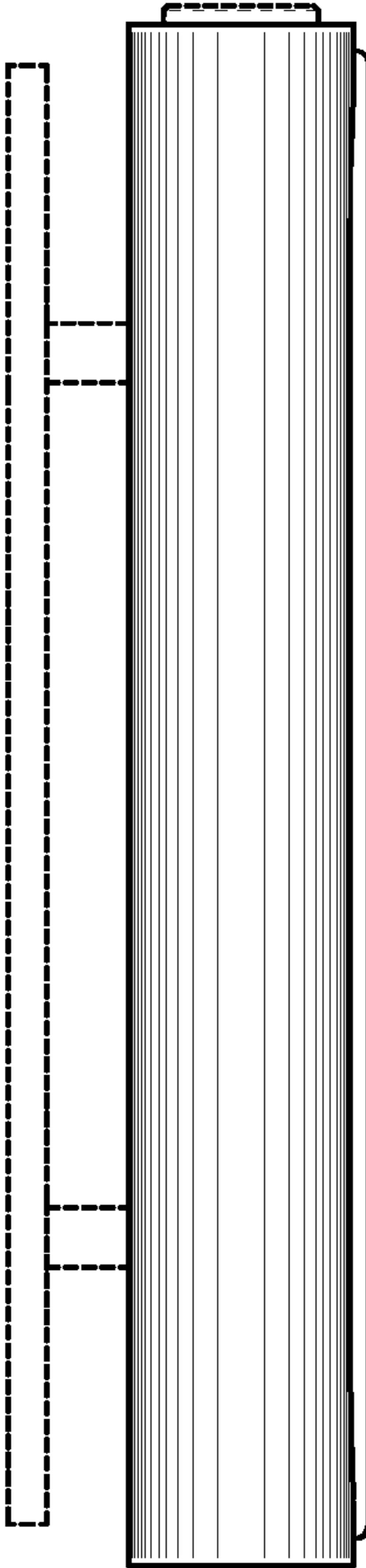


FIG. 9

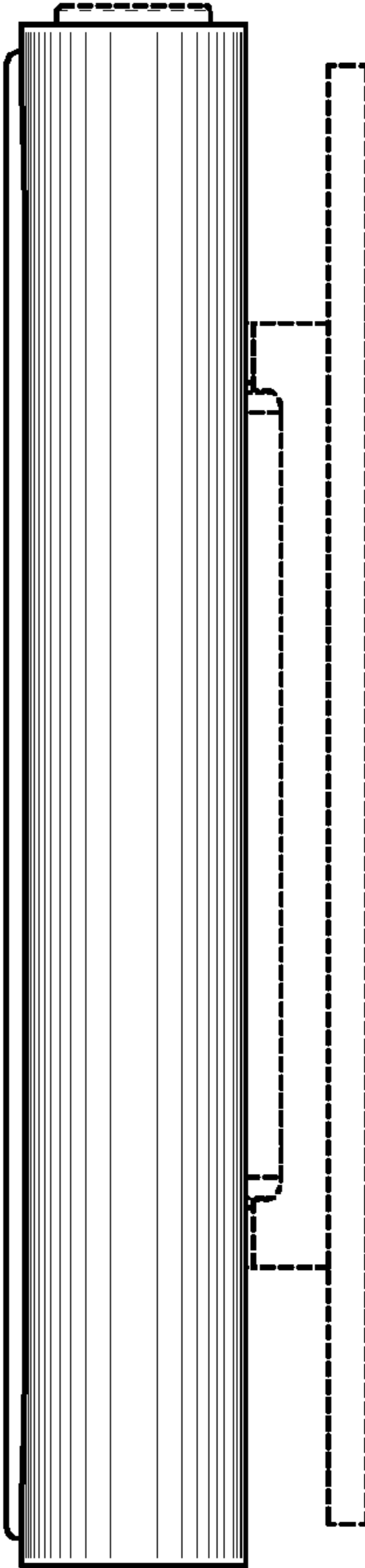


FIG. 10