



US00D711923S

(12) **United States Design Patent**  
**Dallmeyer et al.**

(10) **Patent No.:** **US D711,923 S**  
(45) **Date of Patent:** **\*\* Aug. 26, 2014**

- (54) **ELECTRONIC HOUSING**
- (71) Applicant: **Microsoft Corporation**, Redmond, WA (US)
- (72) Inventors: **Scott Dallmeyer**, Seattle, WA (US);  
**Carl J. Ledbetter**, Mercer Island, WA (US); **Joel B. Jacobs**, Seattle, WA (US);  
**Audrey C. Louchart**, Seattle, WA (US);  
**Saro Nalbandian**, Redmond, WA (US)
- (73) Assignee: **Microsoft Corporation**, Redmond, WA (US)

7,090,582	B2 *	8/2006	Danieli et al.	463/35
D543,954	S	6/2007	Hayes et al.	
D543,955	S	6/2007	Hayes et al.	
D543,956	S	6/2007	Hayes et al.	
D557,680	S *	12/2007	Corsini	D14/168
D568,276	S *	5/2008	Ikeda et al.	D14/365
D576,686	S *	9/2008	Ashida et al.	D21/332
D606,094	S *	12/2009	Kimura	D14/496
D647,918	S	11/2011	Ledbetter et al.	
D657,788	S	4/2012	Ledbetter et al.	
D665,424	S	8/2012	Ledbetter et al.	
D666,680	S *	9/2012	Mercier et al.	D21/333
D680,174	S *	4/2013	Mercier et al.	D21/333

(\*\*) Term: **14 Years**

(21) Appl. No.: **29/449,140**

(22) Filed: **Mar. 14, 2013**

(51) **LOC (10) Cl.** ..... **14-03**

(52) **U.S. Cl.**  
USPC ..... **D14/495**

(58) **Field of Classification Search**  
USPC ..... D14/496, 401, 435, 474, 483, 217, 137,  
D14/138, 160, 168, 356, 203.1-203.8, 507;  
345/156, 169, 173-179, 905;  
715/727-729, 864; 710/1, 5, 8; 713/1,  
713/600; 455/1.1, 1.7, 73, 344-347, 93, 95,  
455/3.01-3.06, 550.1, 573.1; 370/342-344;  
369/1, 2, 6-12; 463/43-47, 29-35;  
273/148 B; D21/324-333

See application file for complete search history.

(56) **References Cited**

**U.S. PATENT DOCUMENTS**

5,914,707	A *	6/1999	Kono	345/173
D452,282	S	12/2001	Stewart et al.	
6,908,387	B2 *	6/2005	Hedrick et al.	463/31
6,930,600	B1 *	8/2005	Hsieh	340/539.1
6,941,181	B1 *	9/2005	Mathurin	700/94

**OTHER PUBLICATIONS**

Nintendo NES [online], [retrieved on May 14, 2013]. Retrieved from internet, <[http://gamesdbase.com/system-nintendo\\_nes.aspx/](http://gamesdbase.com/system-nintendo_nes.aspx/)>.

\* cited by examiner

*Primary Examiner* — Prabhakar Deshmukh

(74) *Attorney, Agent, or Firm* — Banner & Witcoff, Ltd.

(57) **CLAIM**

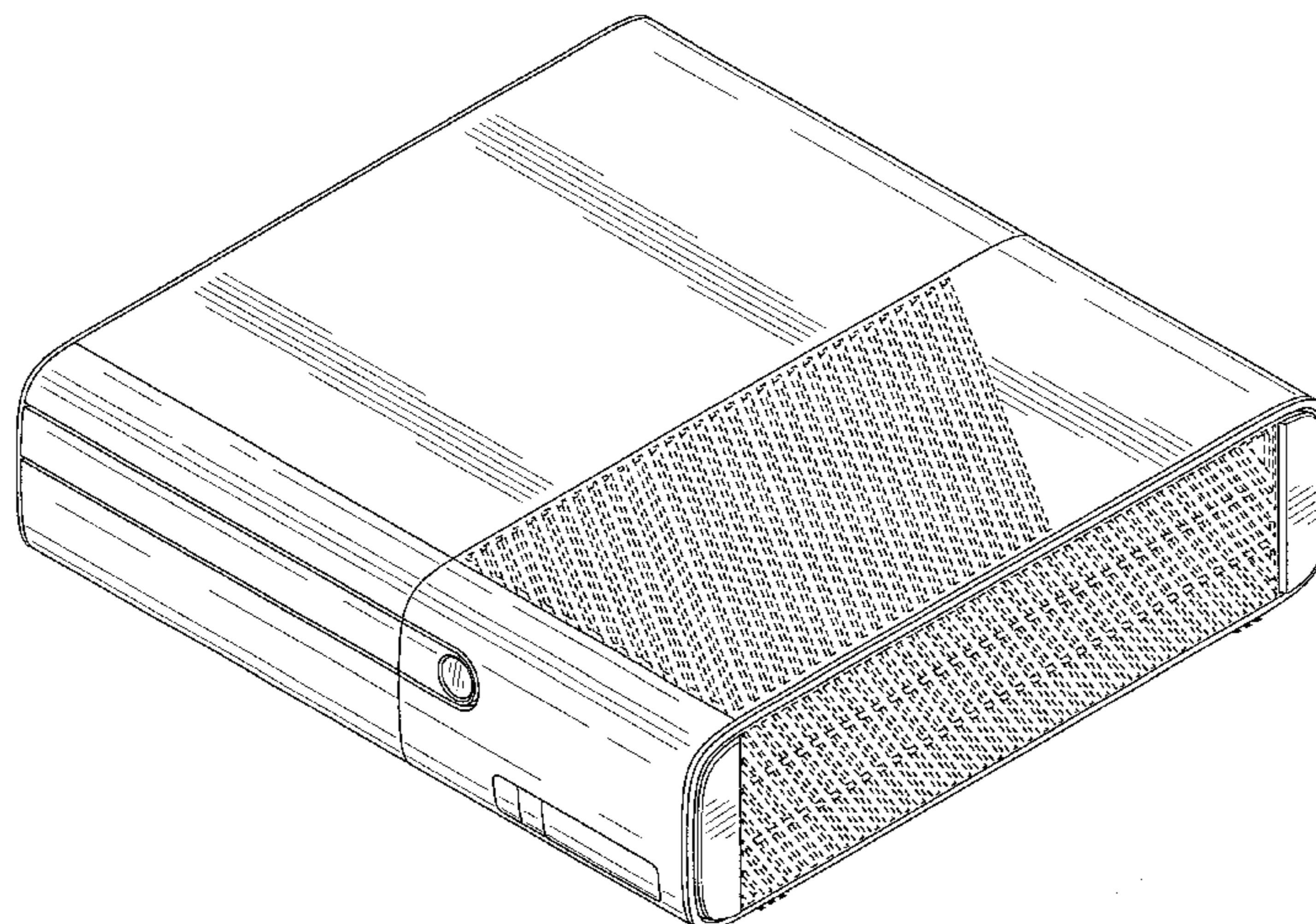
The ornamental design for an electronic housing, as shown and described.

**DESCRIPTION**

FIG. 1 is a perspective view of an electronic housing showing our new design;  
FIG. 2 is a front view thereof;  
FIG. 3 is a rear view thereof;  
FIG. 4 is a right side view thereof;  
FIG. 5 is a left side view thereof;  
FIG. 6 is a top view thereof; and,  
FIG. 7 is a bottom view thereof.

The broken line showing of the remainder of the electronic housing and the unshaded regions therein in FIGS. 1-7 is for environmental purposes only and forms no part of the claimed design.

**1 Claim, 7 Drawing Sheets**



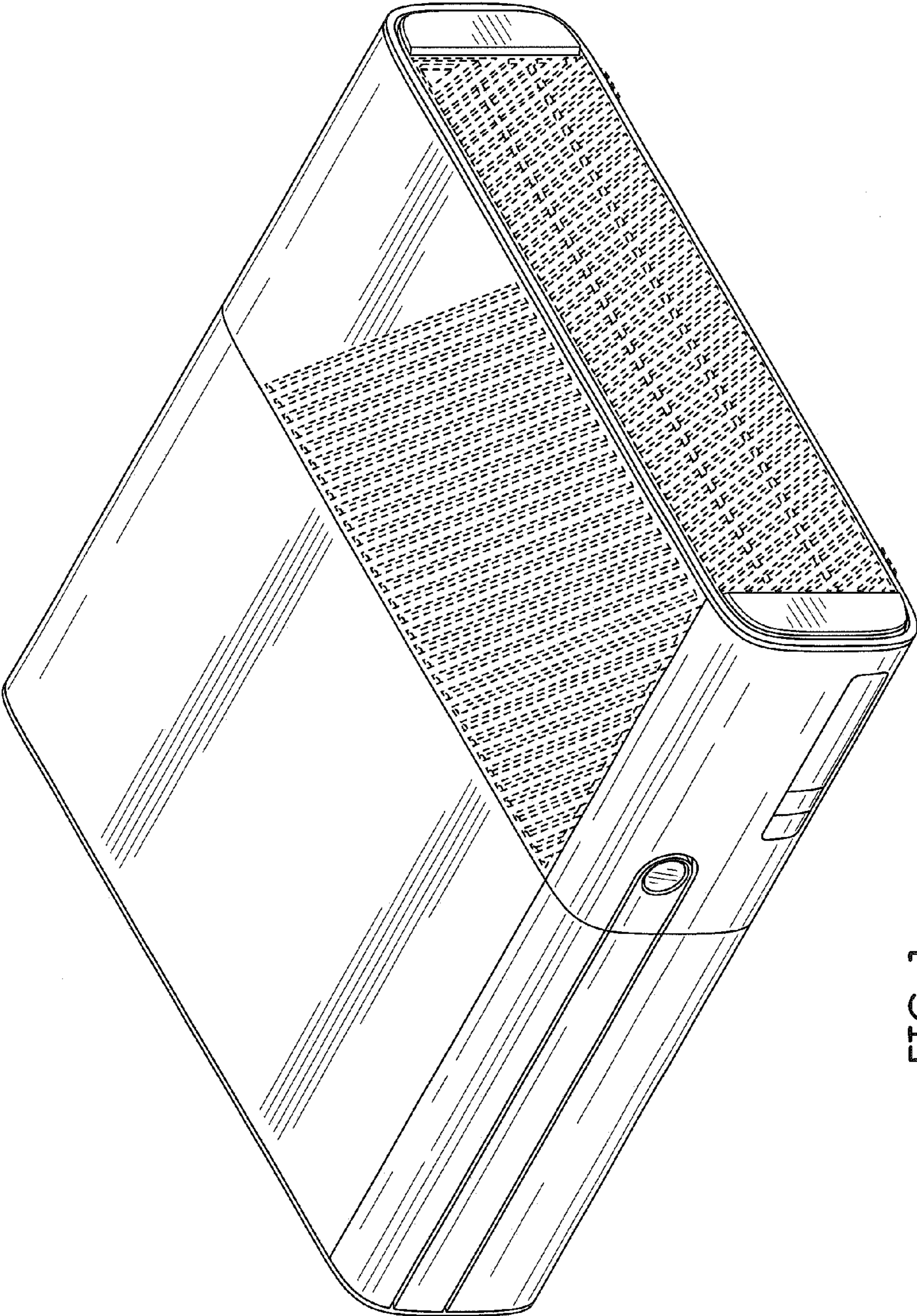


FIG. 1

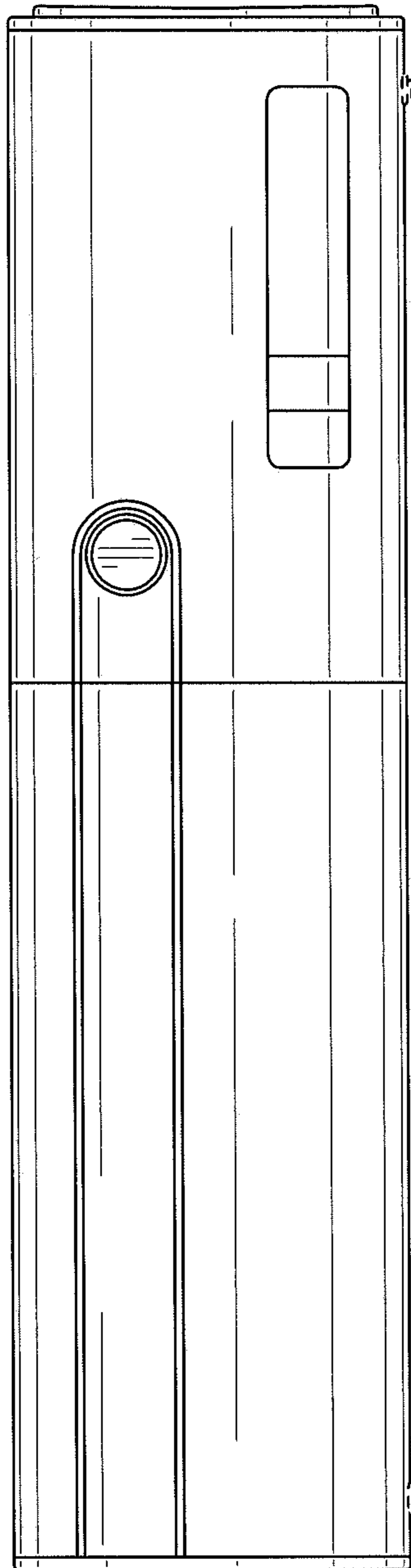


FIG. 2

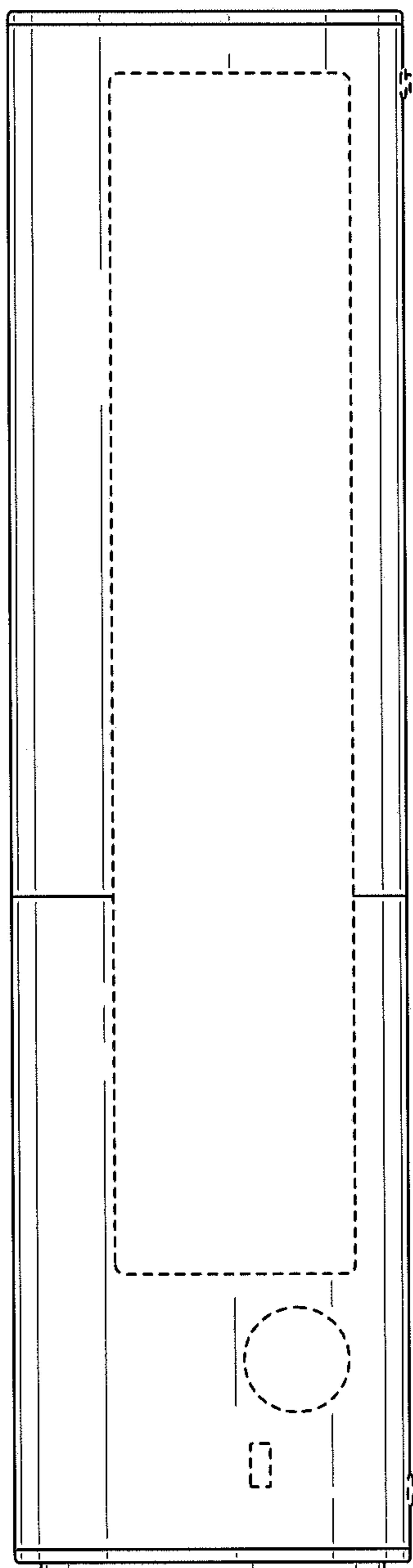


FIG. 3

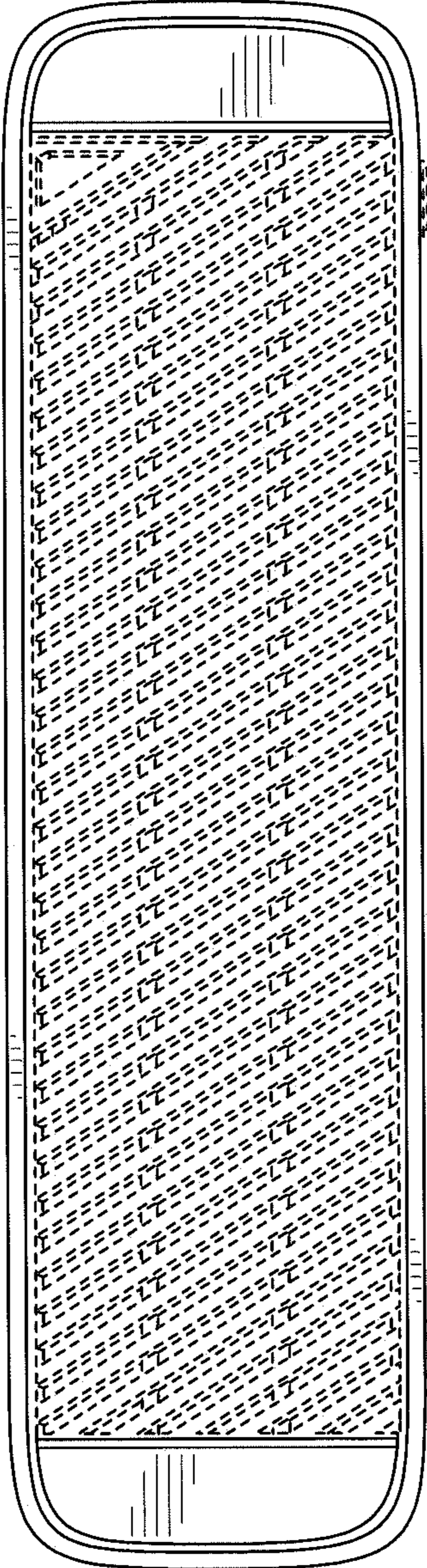


FIG. 4

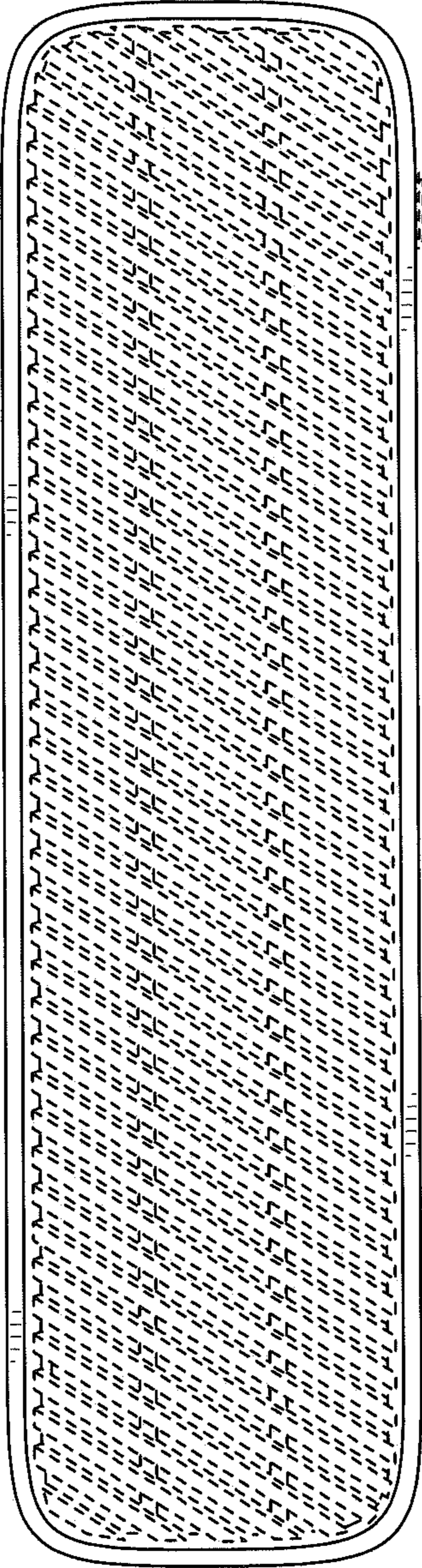


FIG. 5

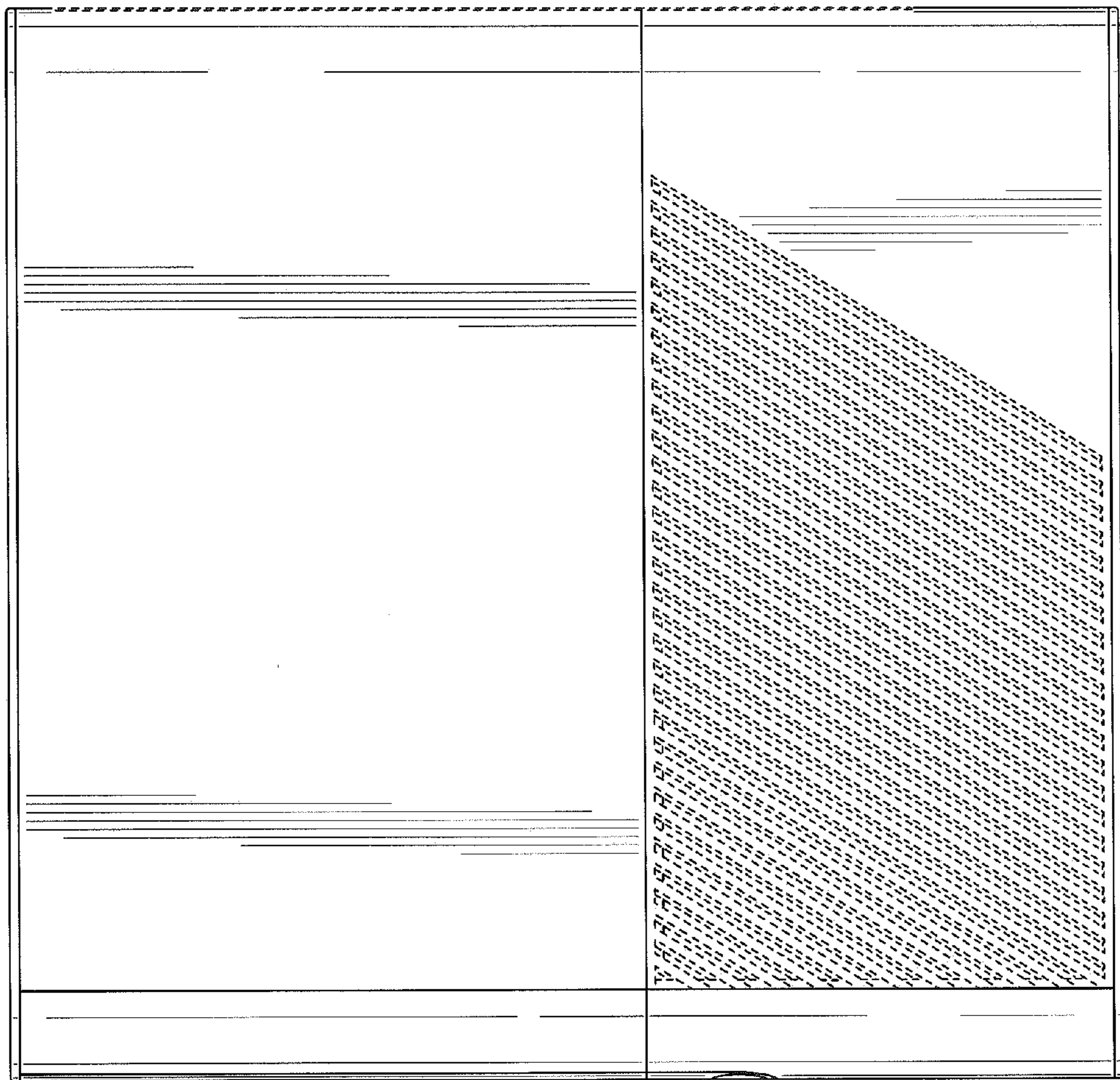


FIG. 6

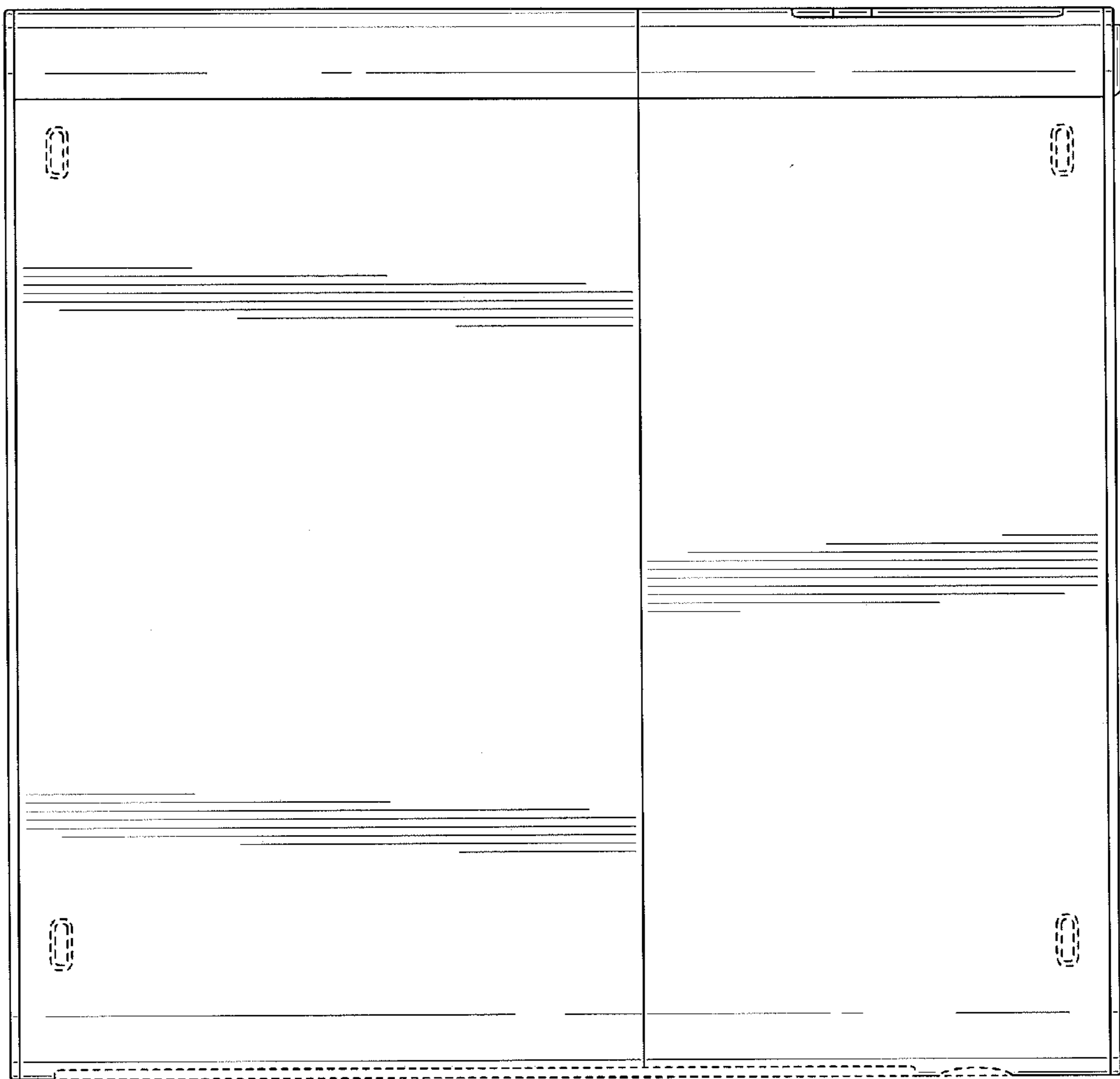


FIG. 7