



US00D711912S

(12) **United States Design Patent**
Aldredge et al.

(10) **Patent No.:** **US D711,912 S**
(45) **Date of Patent:** **** Aug. 26, 2014**

(54) **DISPLAY SCREEN WITH ANIMATED GRAPHICAL USER INTERFACE**

(71) Applicant: **General Electric Company**,
Schenectady, NY (US)
(72) Inventors: **Gregory Mark Aldredge**, Gardnerville,
NV (US); **Daryl Ronald Frogget**,
Gardnerville, NV (US); **Donald Evan
Marshall**, Reno, NV (US); **Brian Dean
Abbott**, Gardnerville, NV (US);
Jacqueline Marie Tappan, Minden, NV
(US)

(73) Assignee: **General Electric Company**,
Schenectady, NY (US)

(**) Term: **14 Years**

(21) Appl. No.: **29/440,794**

(22) Filed: **Dec. 27, 2012**

(51) **LOC (10) Cl.** **14-04**

(52) **U.S. Cl.**
USPC **D14/489**

(58) **Field of Classification Search**
USPC D14/485-495; D18/24-33; D20/11, 12,
D20/18, 22-28; D10/109.1, 109.2, 113.4;
715/700-867, 961-978

See application file for complete search history.

(56) **References Cited**

U.S. PATENT DOCUMENTS

D392,632 S	3/1998	Spiegel	
6,192,325 B1	2/2001	Piety et al.	
D492,695 S *	7/2004	Suzuki et al.	D14/489
D580,448 S *	11/2008	Jasinski	D14/486
D591,305 S *	4/2009	Shimoda	D14/485
D615,546 S *	5/2010	Lundy et al.	D14/485
D651,613 S *	1/2012	Ouilhet	D14/491

(Continued)

OTHER PUBLICATIONS

Bently Nevada, Inc., "Andre SXP Dynamic Signal Processing Instrument." Copyright 2005-2012.

Primary Examiner — Mary Ann Calabrese
(74) *Attorney, Agent, or Firm* — Fletcher Yoder, P.C.

(57) **CLAIM**
We claim the ornamental design for a display screen with animated-graphical user interface, as shown and described.

DESCRIPTION

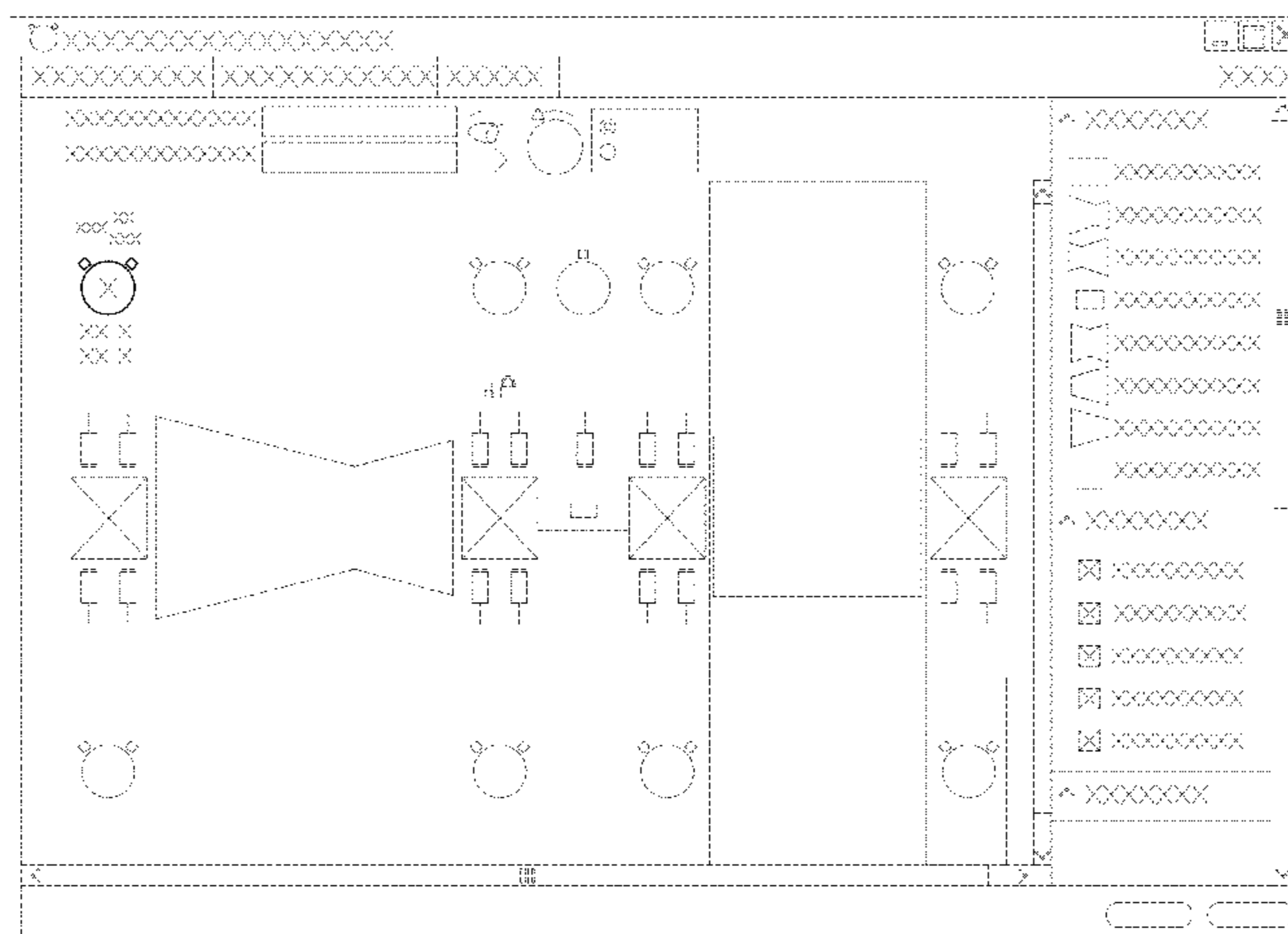
FIG. 1 is a front view of a first image in a sequence for a display screen with an animated graphical user interface showing our new design; FIG. 2 is a front view of the second image thereof, shown enlarged and separately for clarity of illustration; FIG. 3 is a front view of the third image thereof, shown enlarged and separately for clarity of illustration; FIG. 4 is a front view of the fourth image thereof, shown enlarged and separately for clarity of illustration; FIG. 5 is a front view of the fifth image thereof, shown enlarged and separately for clarity of illustration; FIG. 6 is a front view of the sixth image thereof, shown enlarged and separately for clarity of illustration; FIG. 7 is a front view of the seventh image thereof, shown enlarged and separately for clarity of illustration; and, FIG. 8 is a front view of the eighth image thereof, shown enlarged and separately for clarity of illustration.

The claimed design is an integral and active component in the operation of a computer-programmed device displaying the design. The appearance of the animated image sequentially transitions between the images shown in FIGS. 1-8.

The broken line showing of the display screen and the broken line showing of the portions of the user interface are included for the purpose of illustrating unclaimed environment and form no part of the claimed design.

The subject matter in this patent includes a process or period in which an image changes into another image. This process or period forms no part of the claimed design.

1 Claim, 5 Drawing Sheets



US D711,912 S

Page 2

(56)

References Cited

U.S. PATENT DOCUMENTS

D664,968 S 8/2012 Lee et al.
8,238,666 B2 * 8/2012 Besley et al. 382/203
D667,842 S * 9/2012 Ouilhet D14/489

D670,713 S 11/2012 Cranfill et al.
8,595,649 B2 * 11/2013 Sherrard et al. 715/834
D699,259 S * 2/2014 Funabashi et al. D14/487
2003/0001816 A1 * 1/2003 Badarneh 345/156
2006/0263098 A1 * 11/2006 Akiyama et al. 398/188

* cited by examiner

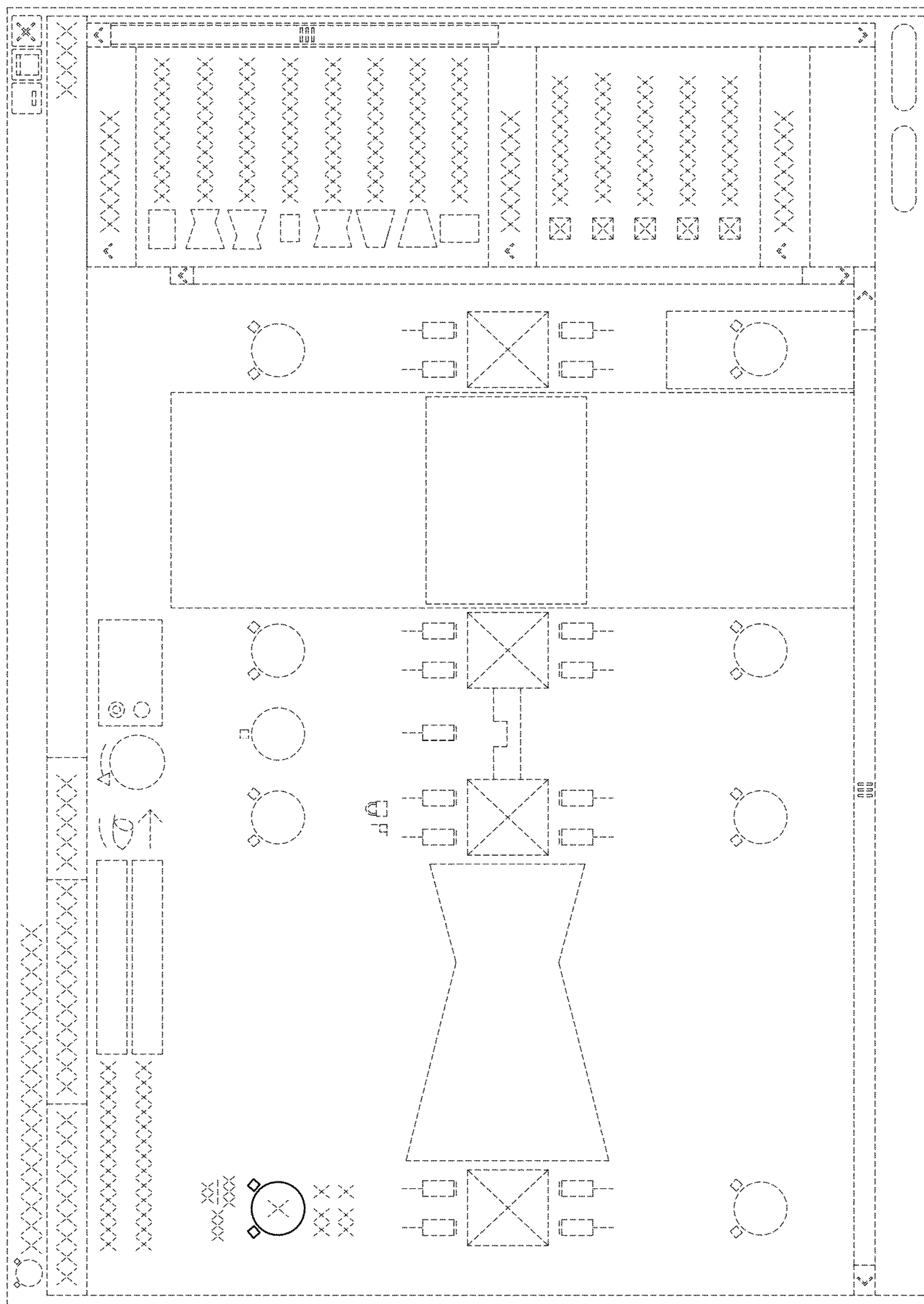


FIG. 1

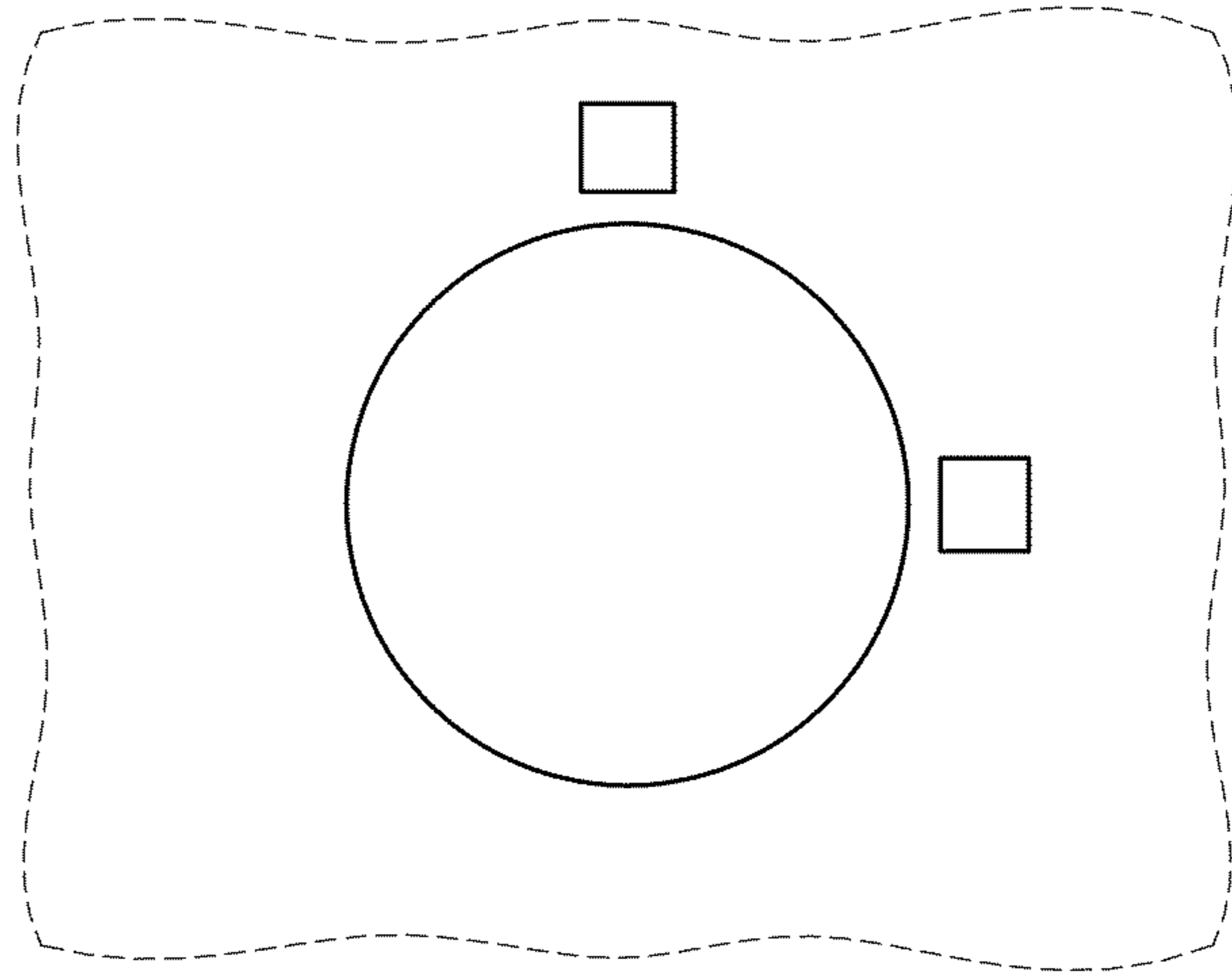


FIG. 2

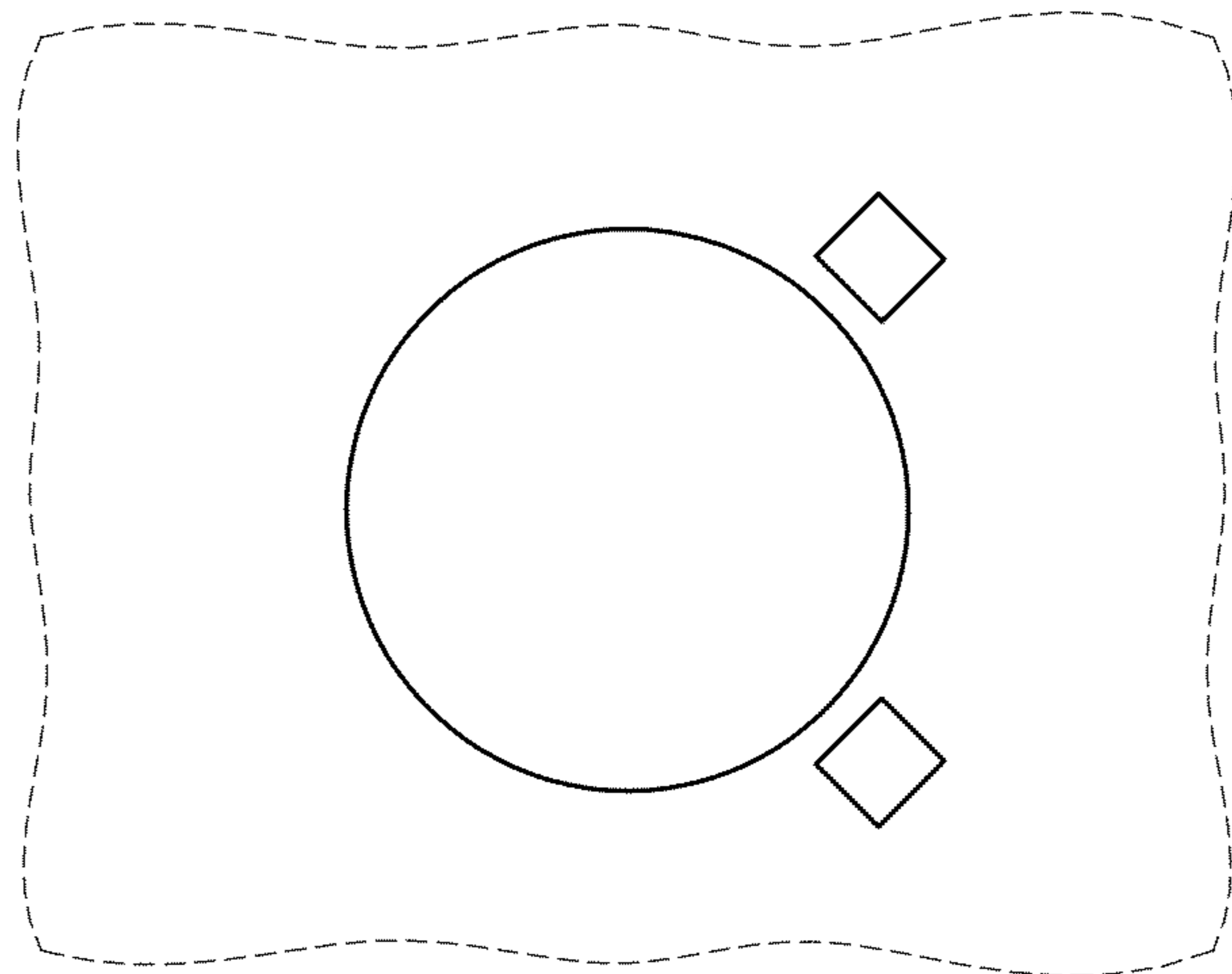


FIG. 3

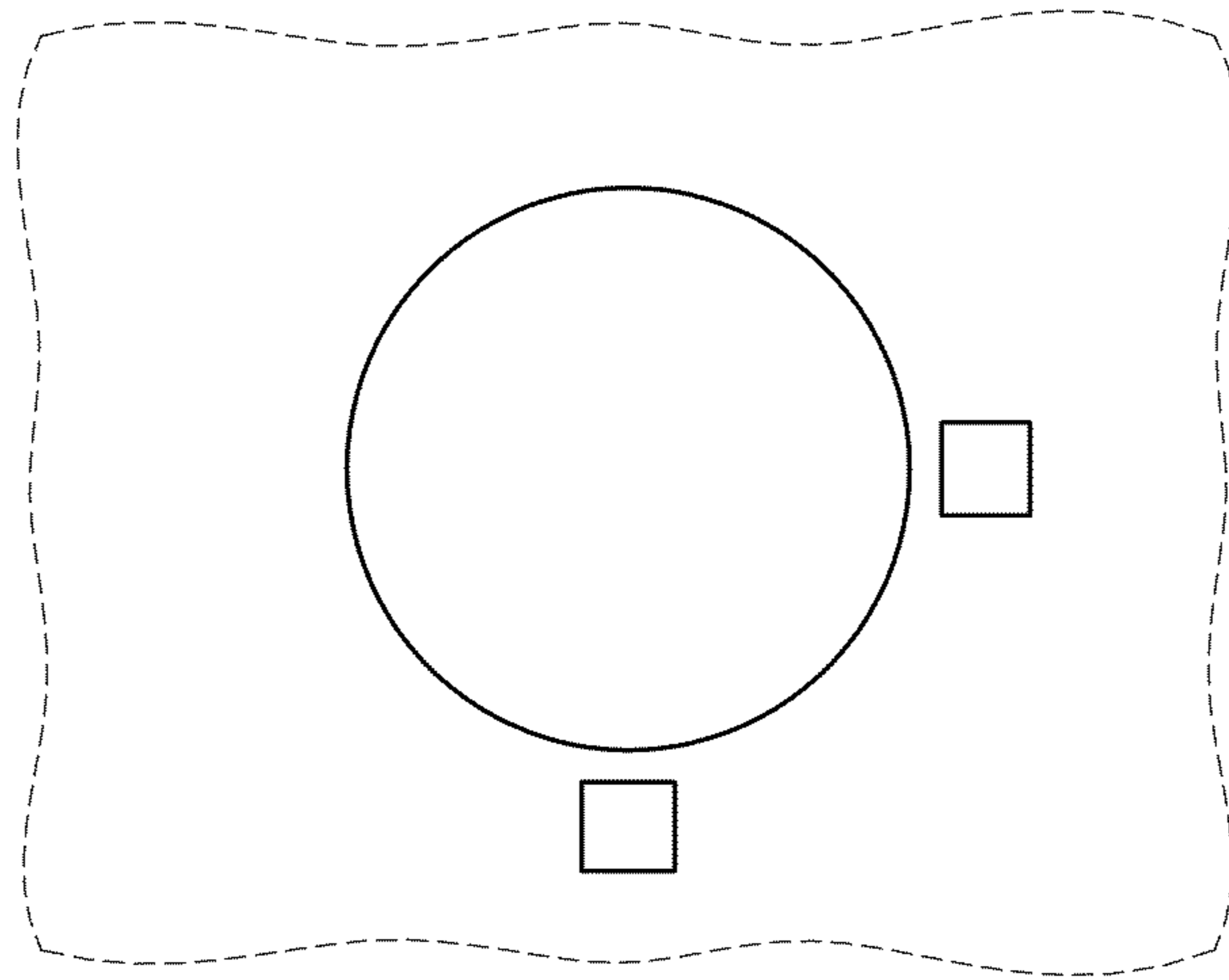


FIG. 4

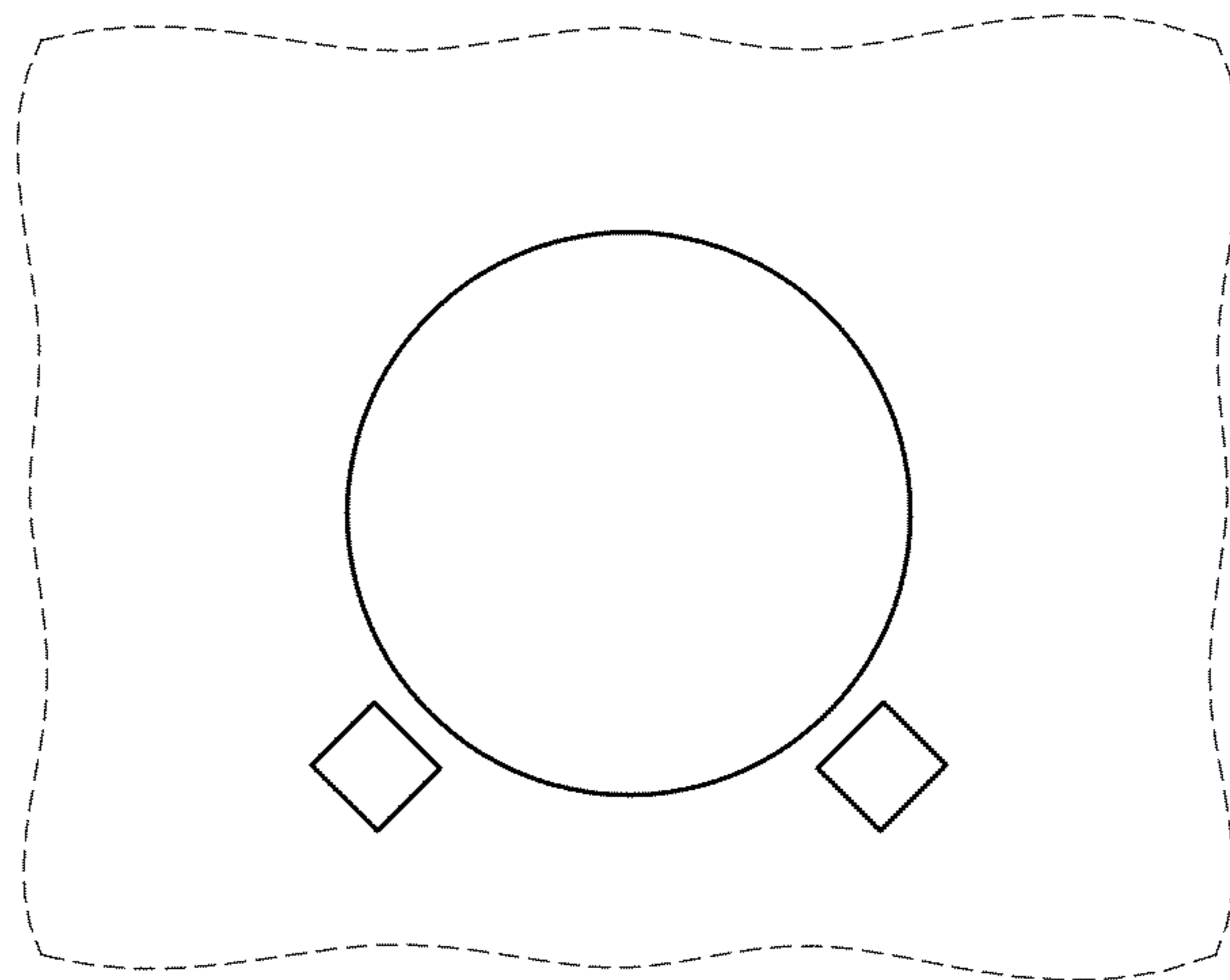


FIG. 5

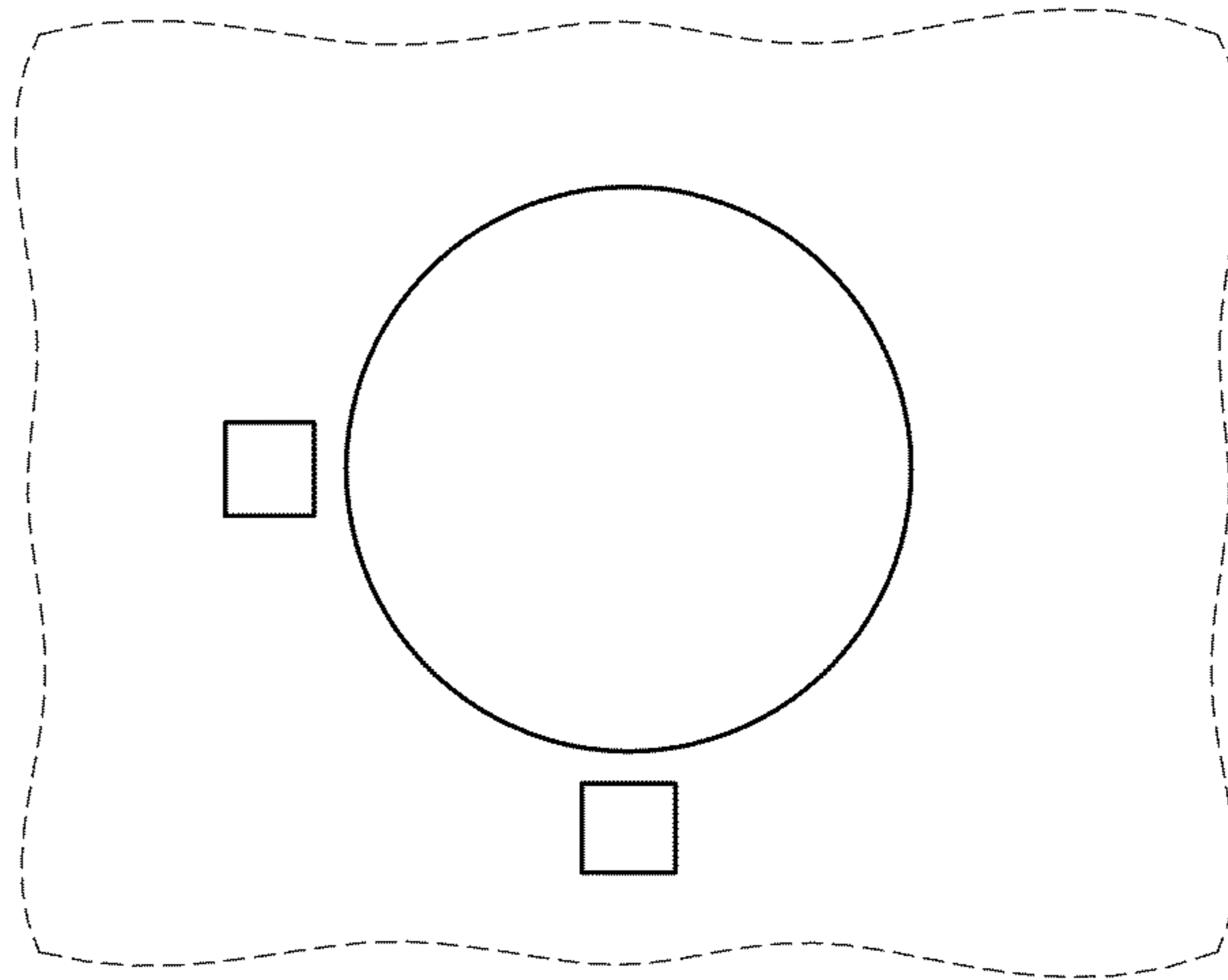


FIG. 6

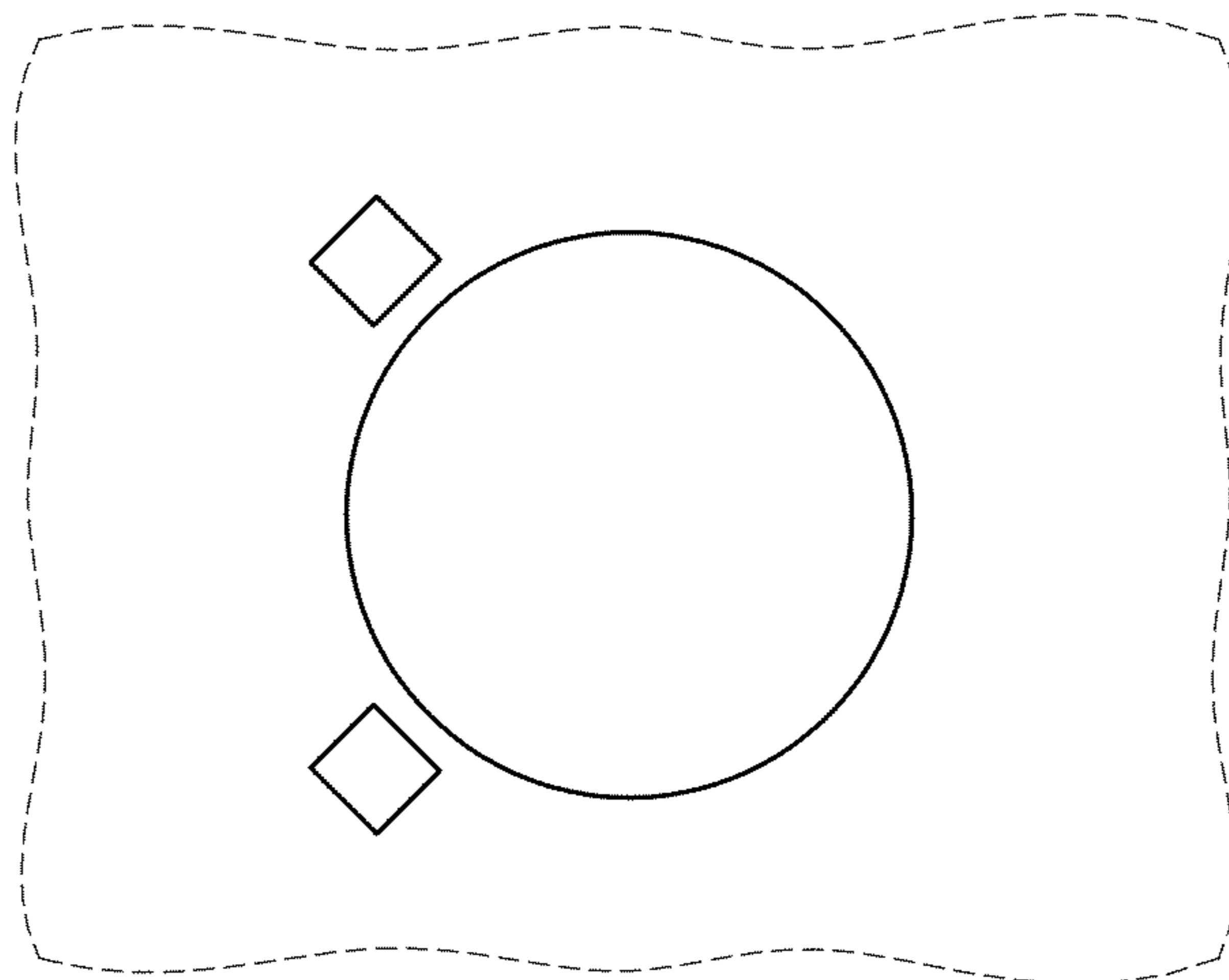


FIG. 7

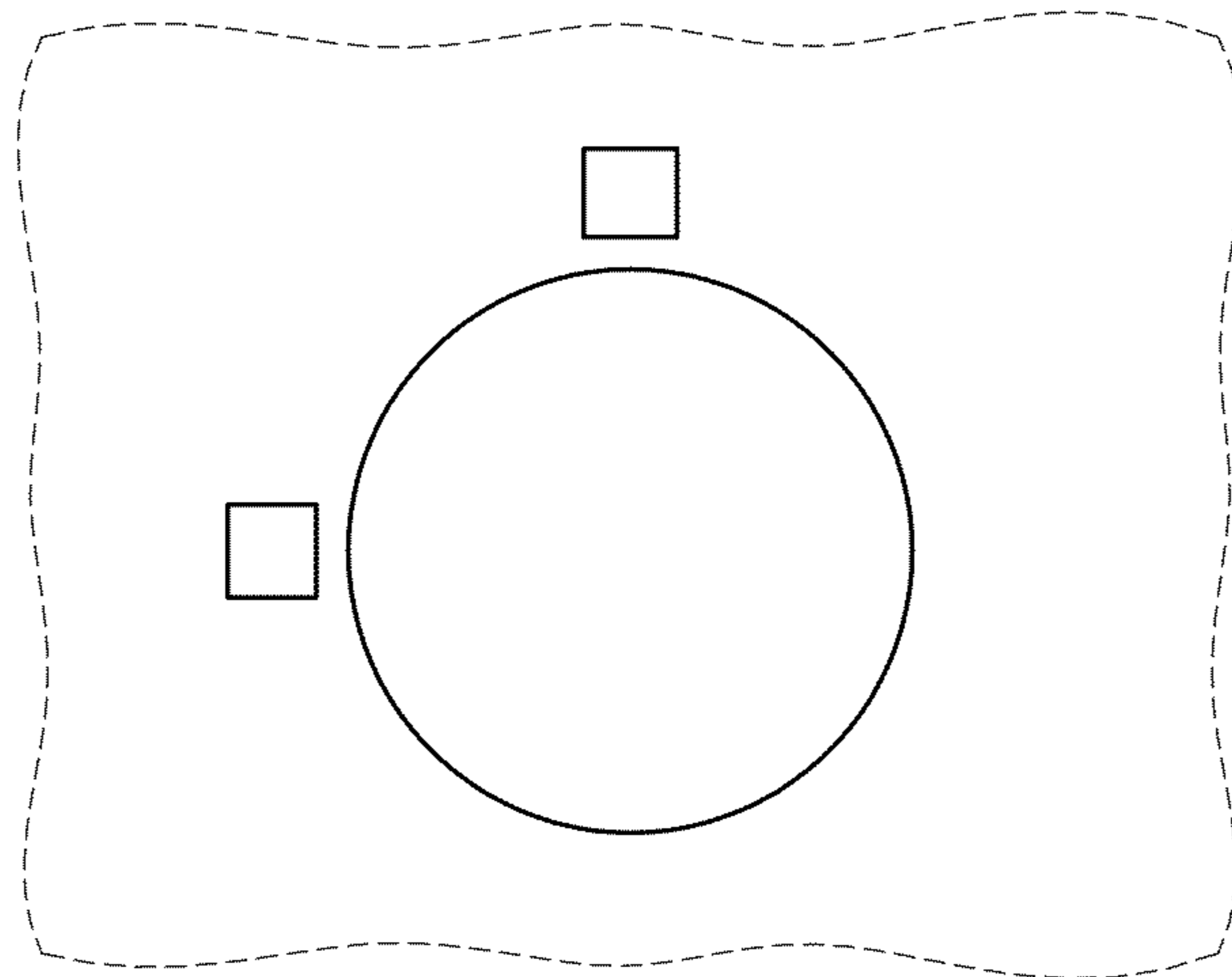


FIG. 8