



US00D711904S

(12) **United States Design Patent**
Sundy et al.

(10) **Patent No.:** **US D711,904 S**

(45) **Date of Patent:** **** Aug. 26, 2014**

(54) **DISPLAY SCREEN FOR
ELECTROSURGICAL CONTROLLERS WITH
GRAPHICAL USER INTERFACE**

(71) Applicant: **ArthroCare Corporation**, Austin, TX
(US)

(72) Inventors: **Jonathan P. Sundy**, Columbia, MO
(US); **Philip J. D'Alamada Remedios**,
Palm Harbor, FL (US); **George
Morrison**, Austin, TX (US); **Jean
Woloszko**, Austin, TX (US)

(73) Assignee: **ArthroCare Corporation**, Austin, TX
(US)

(**) Term: **14 Years**

(21) Appl. No.: **29/448,361**

(22) Filed: **Mar. 12, 2013**

(51) **LOC (10) Cl.** **14-04**

(52) **U.S. Cl.**
USPC **D14/486**

(58) **Field of Classification Search**
USPC D14/485-495; 715/700, 703, 716, 726,
715/730, 732, 771, 773, 779, 793, 808, 809,
715/810, 832, 834, 837, 839, 840, 864, 970,
715/977

See application file for complete search history.

(56) **References Cited**

U.S. PATENT DOCUMENTS

D479,846	S	*	9/2003	Kreikemeier et al.	D14/486
D480,092	S	*	9/2003	Kreikemeier et al.	D14/486
D553,144	S	*	10/2007	Blencowe	D14/486
D563,977	S	*	3/2008	Carl et al.	D14/488
D600,714	S	*	9/2009	LaManna et al.	D14/492
D602,031	S	*	10/2009	Vu et al.	D14/485
D614,192	S	*	4/2010	Takano et al.	D14/486
8,192,424	B2		6/2012	Woloszko	606/40
D672,784	S	*	12/2012	Clanton et al.	D14/485
D684,587	S	*	6/2013	Plesnicher et al.	D14/486
D695,757	S	*	12/2013	Ray et al.	D14/486
D699,255	S	*	2/2014	Kim et al.	D14/486
D701,515	S	*	3/2014	Matas et al.	D14/486
2008/0229226	A1	*	9/2008	Rowbottom et al.	715/771
2012/0101494	A1		4/2012	Cadouri et al.	606/41
2012/0215221	A1		8/2012	Woloszko	606/50

* cited by examiner

Primary Examiner — Angela J Lee

(74) *Attorney, Agent, or Firm* — Matthew Scheele; Brian E. Szymczak

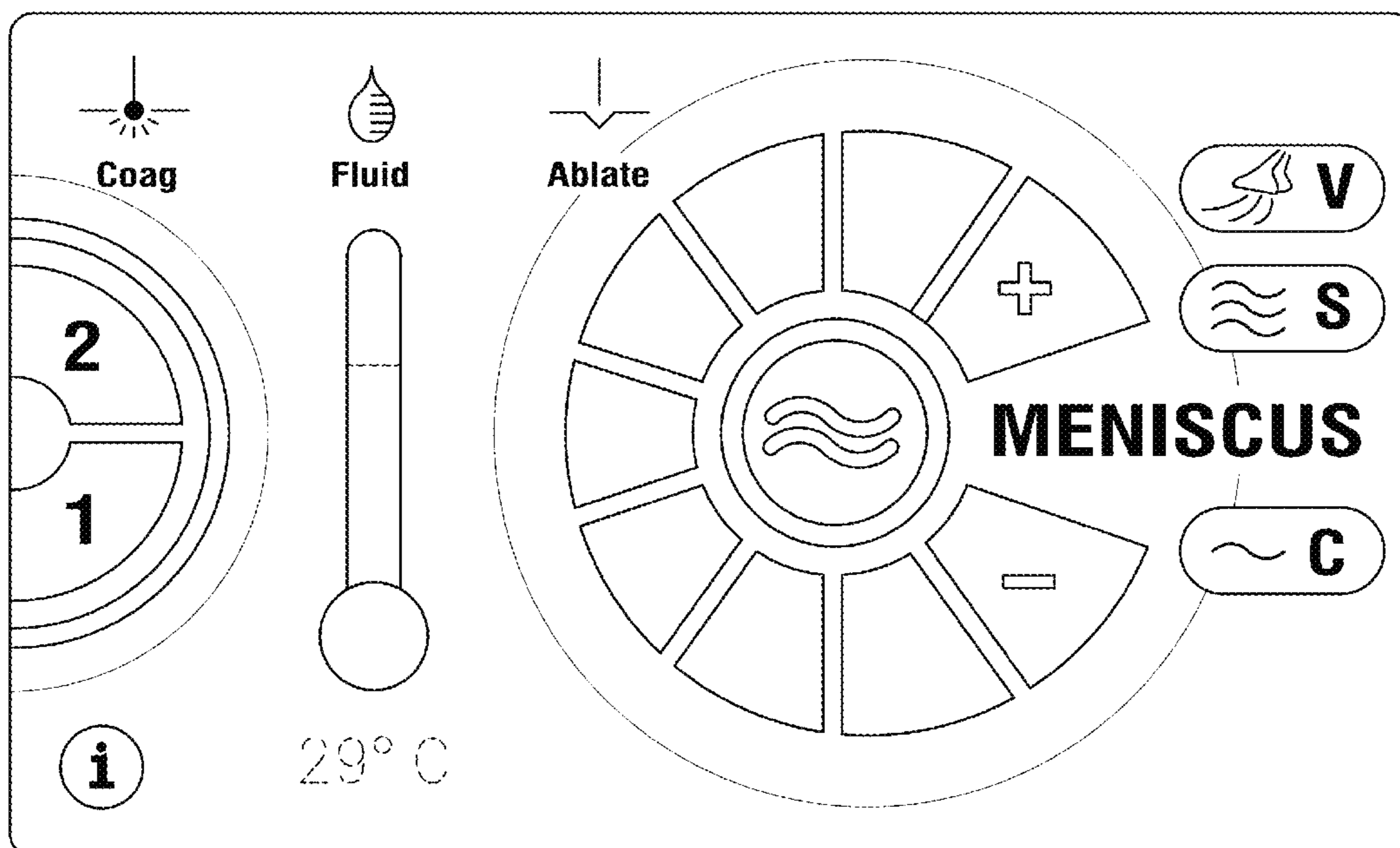
(57) **CLAIM**

The ornamental design for a display screen for electro-
surgical controller with graphical user interface, as shown and
described.

DESCRIPTION

FIG. 1 is a perspective view of the display screen for electro-
surgical controller with graphical user interface; and,
FIG. 2 is a front view of the graphical user interface shown
enlarged and separate for clarity of illustration.
The portions of the drawings depicted in broken lines form no
part of the claimed design.

1 Claim, 2 Drawing Sheets



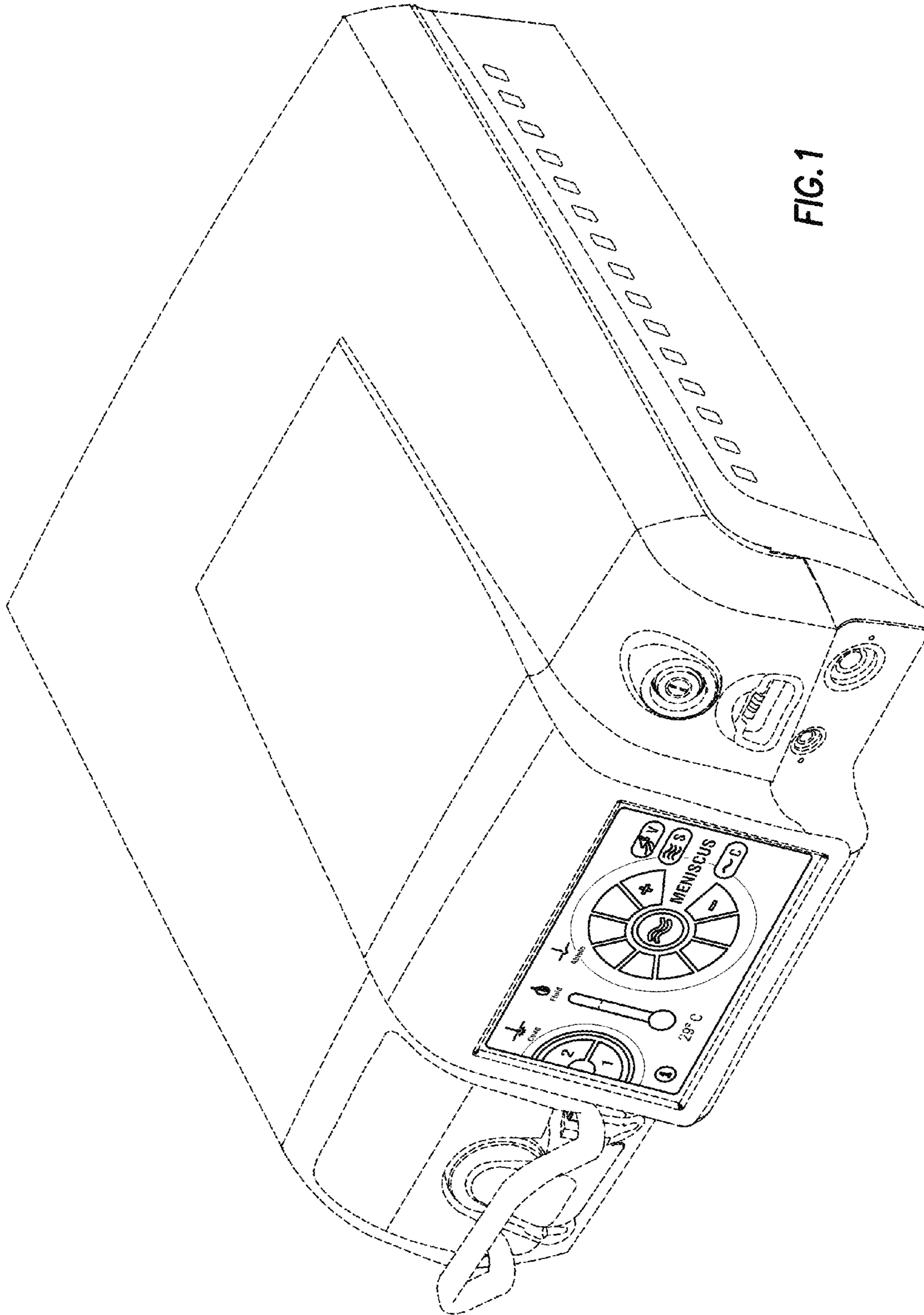


FIG. 1

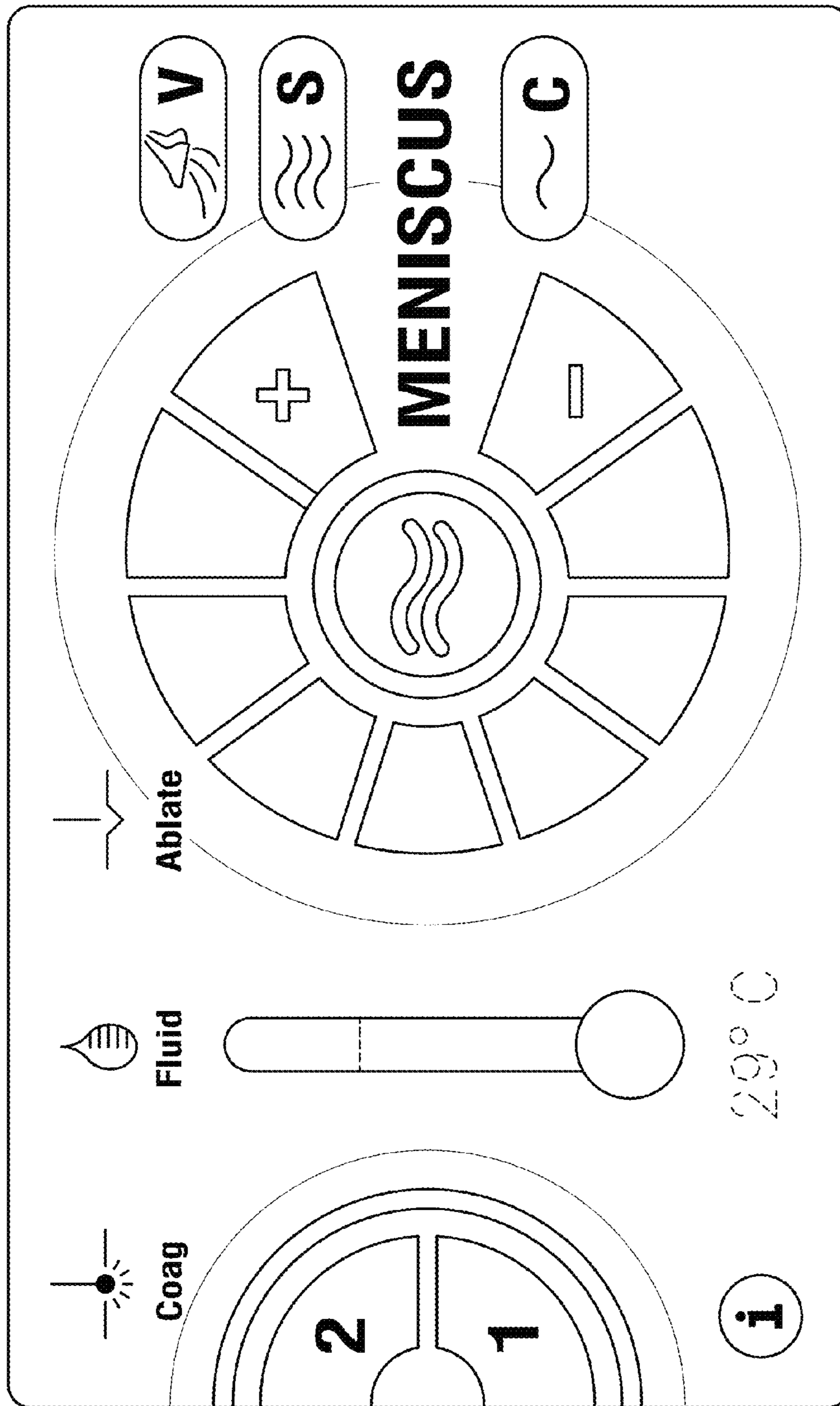


FIG.2