



US00D711894S

(12) **United States Design Patent**  
**Lin et al.**

(10) **Patent No.:** **US D711,894 S**  
(45) **Date of Patent:** **\*\* Aug. 26, 2014**

(54) **DATA ACCESSING DEVICE**

(71) Applicant: **Kingston Digital, Inc.**, Fountain Valley, CA (US)

(72) Inventors: **Feng-Sheng Lin**, Hsinchu (TW); **Peter Leekuo Chou**, Fountain Valley, CA (US); **Yu-kuo Huang**, Hsinchu (TW)

(73) Assignee: **Kingston Digital, Inc.**, Fountain Valley, CA (US)

(\*\*) Term: **14 Years**

(21) Appl. No.: **29/471,326**

(22) Filed: **Oct. 30, 2013**

(51) **LOC (10) Cl.** ..... **14-02**

(52) **U.S. Cl.**  
USPC ..... **D14/484.1**

(58) **Field of Classification Search**  
CPC ..... G06K 19/07732  
USPC ..... D14/411, 433, 435.1, 436, 480.1–480.7,  
D14/484.1, 137, 155, 203.1–203.8, 240,  
D14/242; D13/133, 154  
See application file for complete search history.

(56) **References Cited**

**U.S. PATENT DOCUMENTS**

D449,615 S *	10/2001	Lloyd	.....	D14/435.1
D543,202 S *	5/2007	Siu	.....	D14/480.5
D555,149 S *	11/2007	Griffin	.....	D14/484.1
7,558,070 B2 *	7/2009	Kang	.....	361/752
D623,399 S *	9/2010	McSweyn	.....	D3/208
D648,730 S *	11/2011	Huang	.....	D14/480.5
D661,680 S *	6/2012	Wei et al.	.....	D14/155
D669,899 S *	10/2012	Cheng	.....	D14/435.1

D672,780 S *	12/2012	Chen et al.	.....	D14/433
D673,164 S *	12/2012	Lin et al.	.....	D14/480.5
2005/0247796 A1 *	11/2005	Chen	.....	235/492

**OTHER PUBLICATIONS**

Kingston HyperX 3.0 64GB Flash Drive Review—Kingston HyperX Flash Drives Go USB 3.0—Legit Reviews, [online] Dec. 30, 2011 [retrieved on Aug. 6, 2012]. Retrieved from the Internet <URL: <http://www.legitreviews.com/article/1808/1/>>.\*

USB Drives for personal and business use | Kingston, Data Traveler Mini 3.0, [online], [retrieved on Jan. 6, 2014]. Retrieved from the Internet <URL: [http://www.kingston.com/us/usb/personal\\_business#DTM30](http://www.kingston.com/us/usb/personal_business#DTM30)>.\*

\* cited by examiner

*Primary Examiner* — Karen E Kearney

(74) *Attorney, Agent, or Firm* — Skaar Ulbrich Macari, P.A.

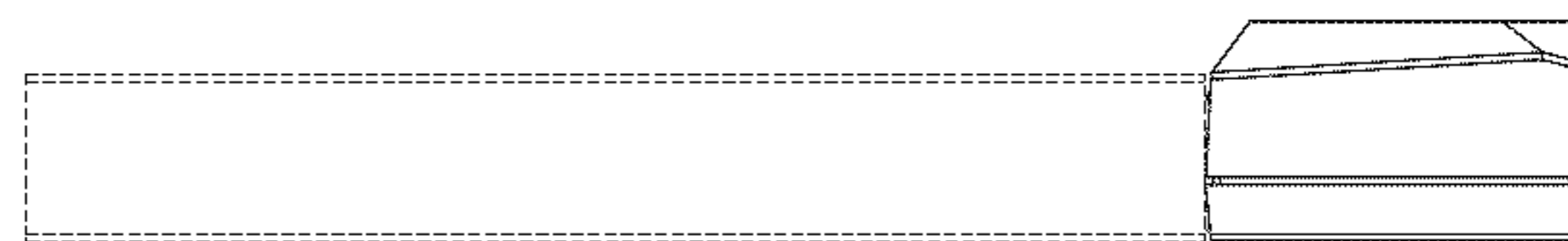
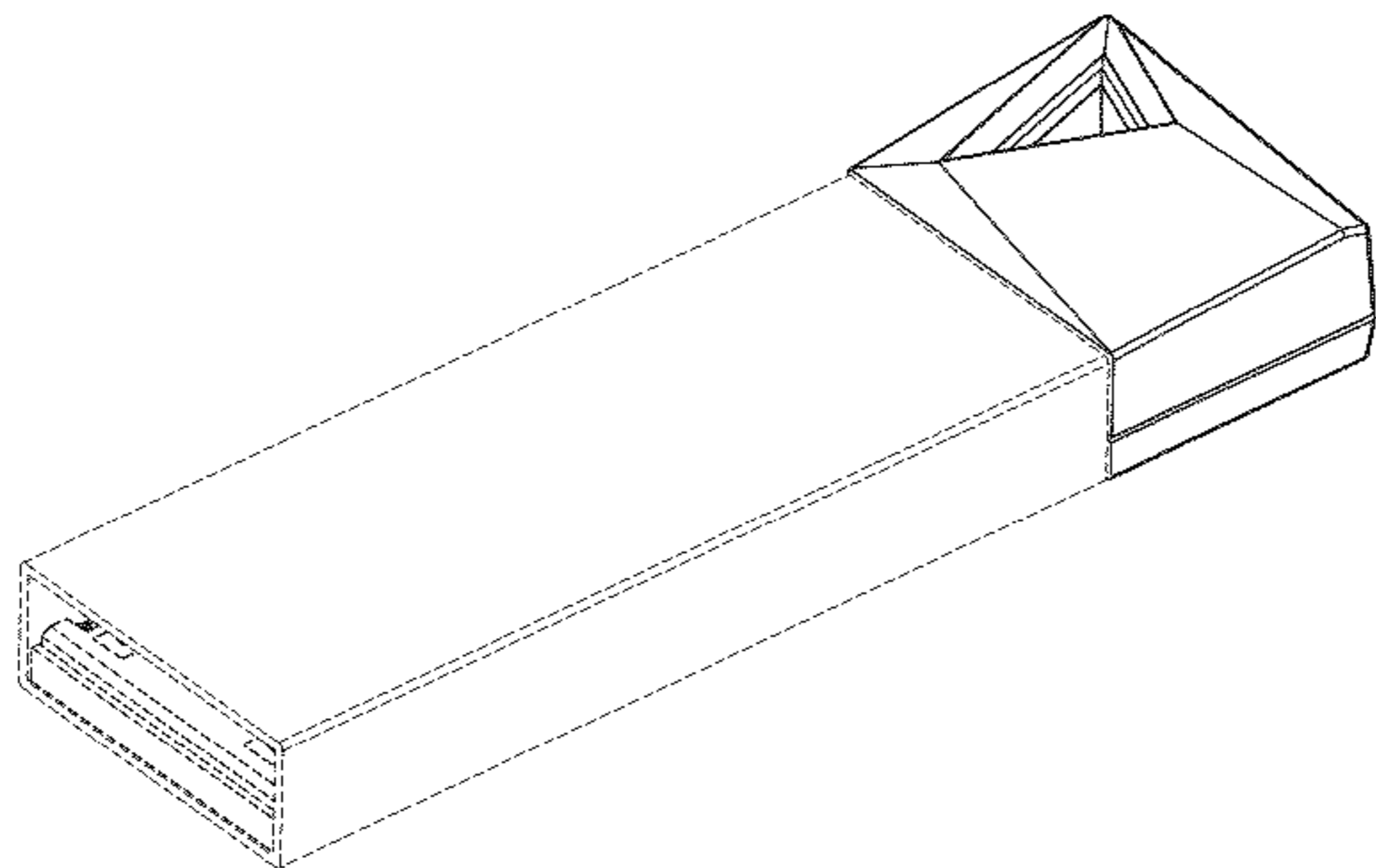
(57) **CLAIM**

We claim an ornamental design for a data accessing device, as shown and described.

**DESCRIPTION**

FIG. 1 is a perspective view of a data accessing device showing the claimed design;  
FIG. 2 is another perspective view thereof;  
FIG. 3 is a front elevational view thereof;  
FIG. 4 is a rear elevational view thereof;  
FIG. 5 is a left side elevational view thereof;  
FIG. 6 is a right side elevational view thereof;  
FIG. 7 is a top plan view thereof; and,  
FIG. 8 is a bottom plan view thereof.  
The broken lines are directed to environment and are for illustrative purpose only; the broken lines form no part of the claimed design.

**1 Claim, 5 Drawing Sheets**



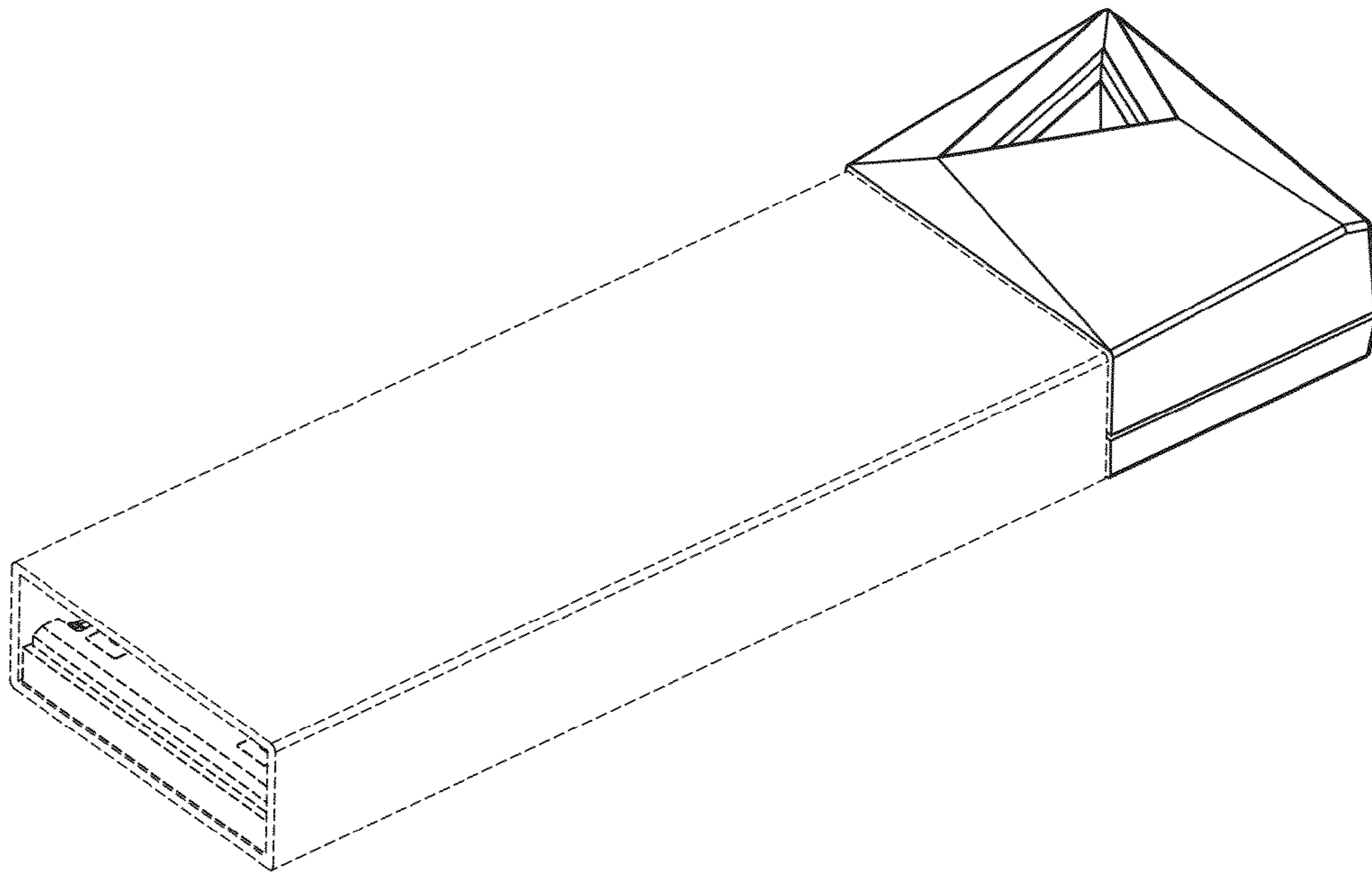


FIG.1

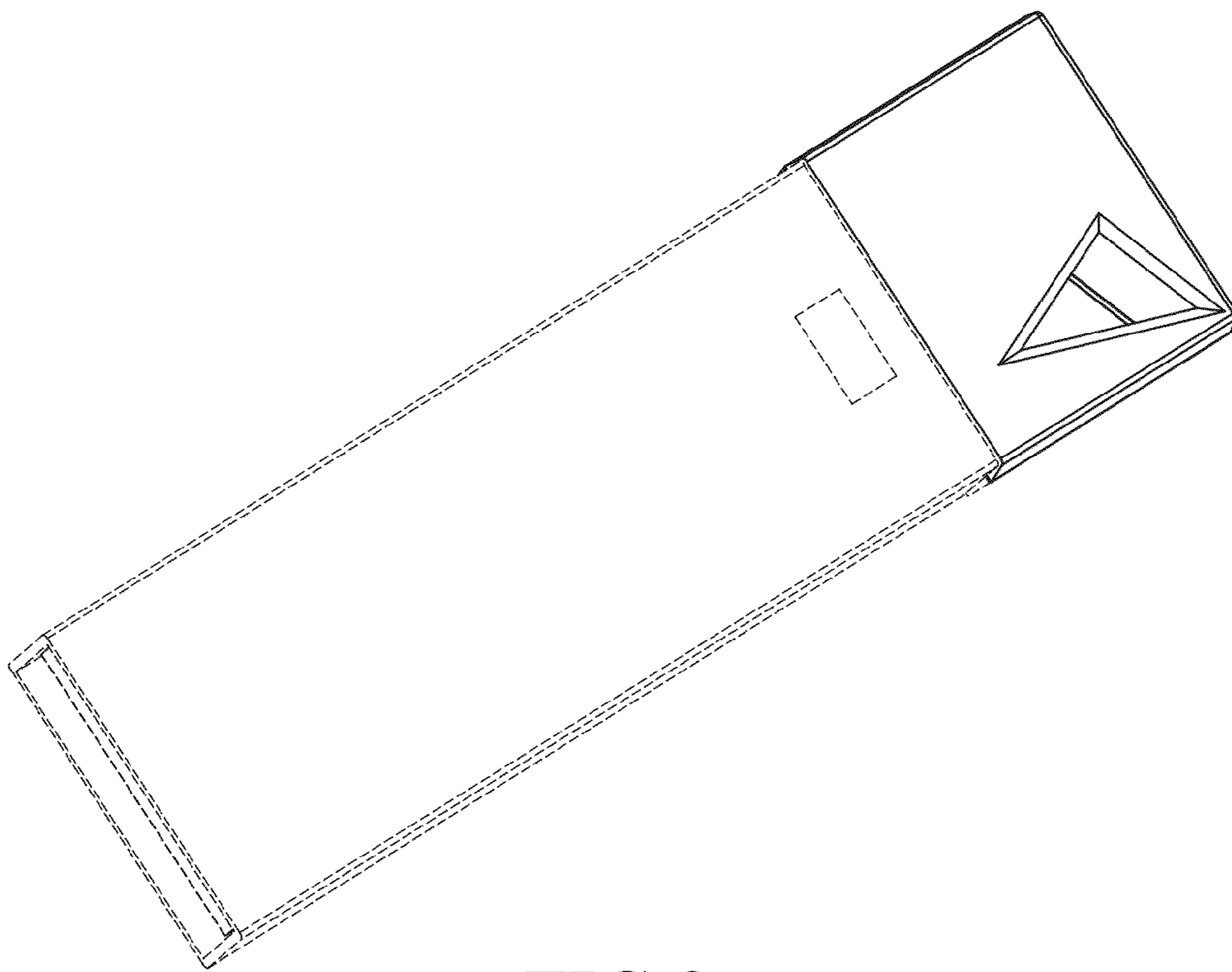


FIG.2

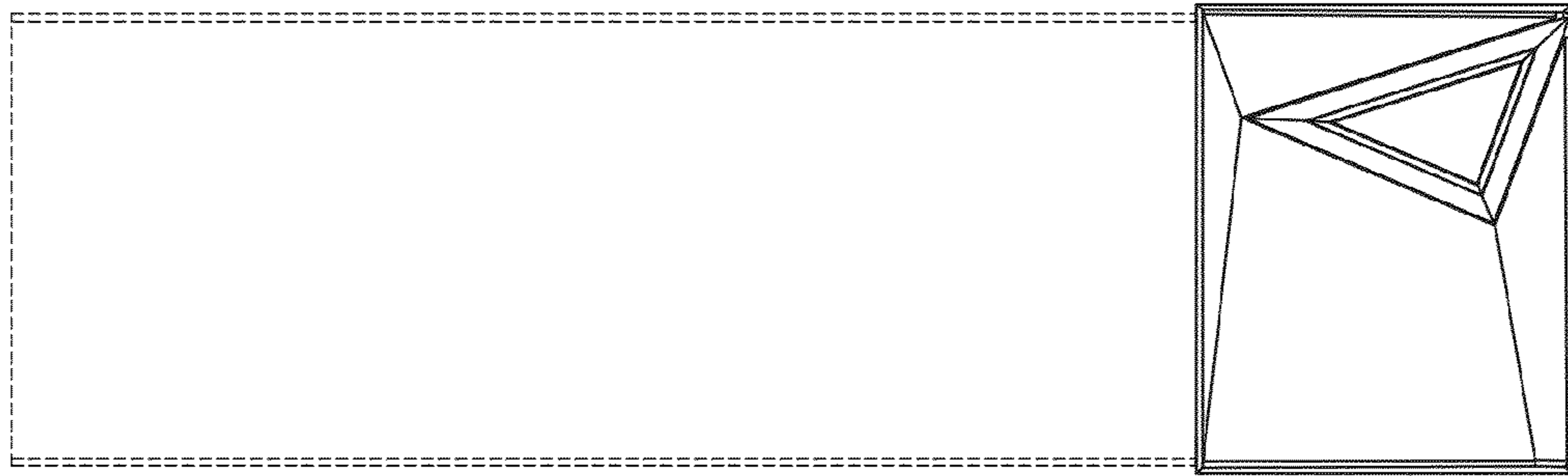


FIG. 3

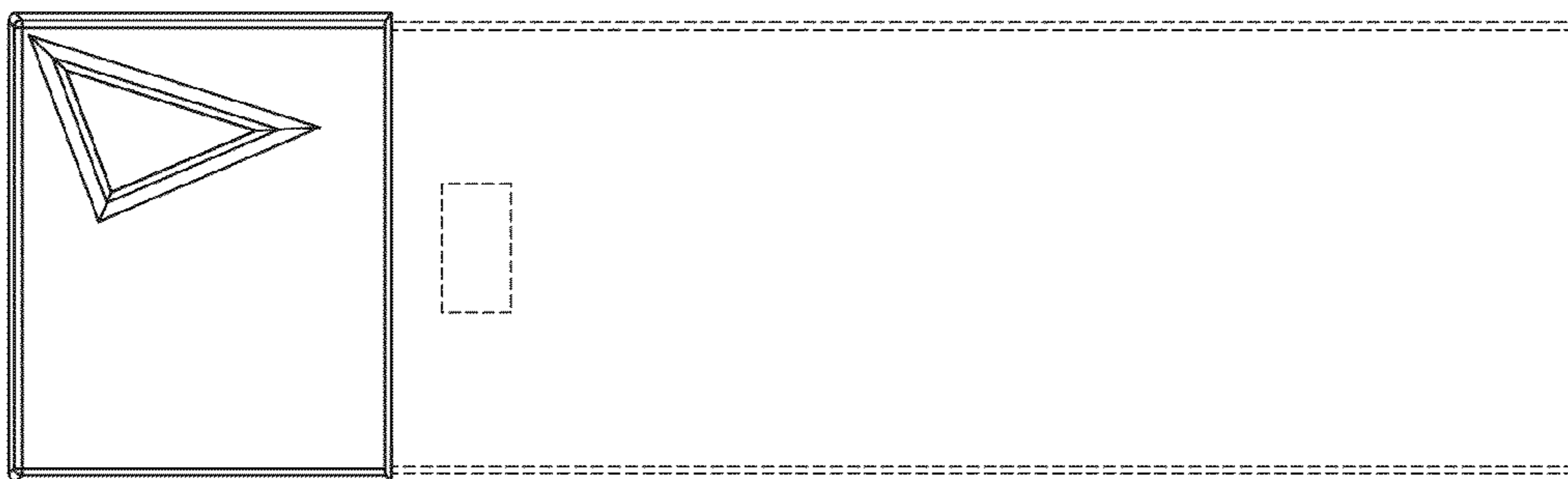


FIG. 4

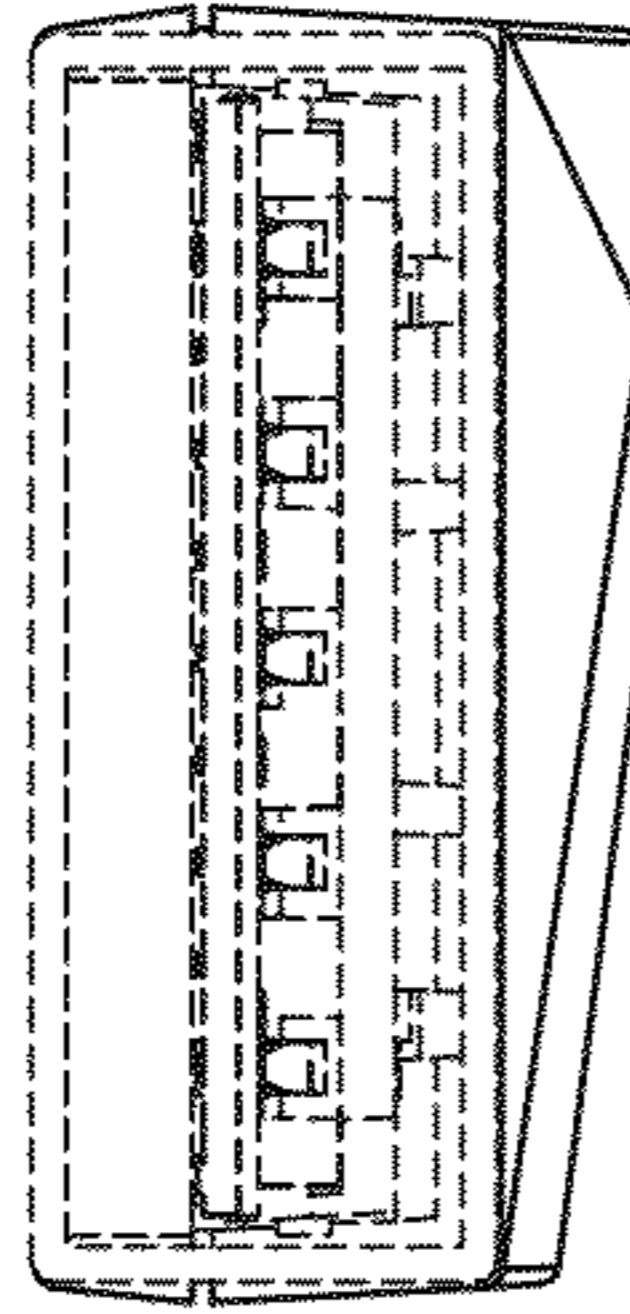


FIG. 5

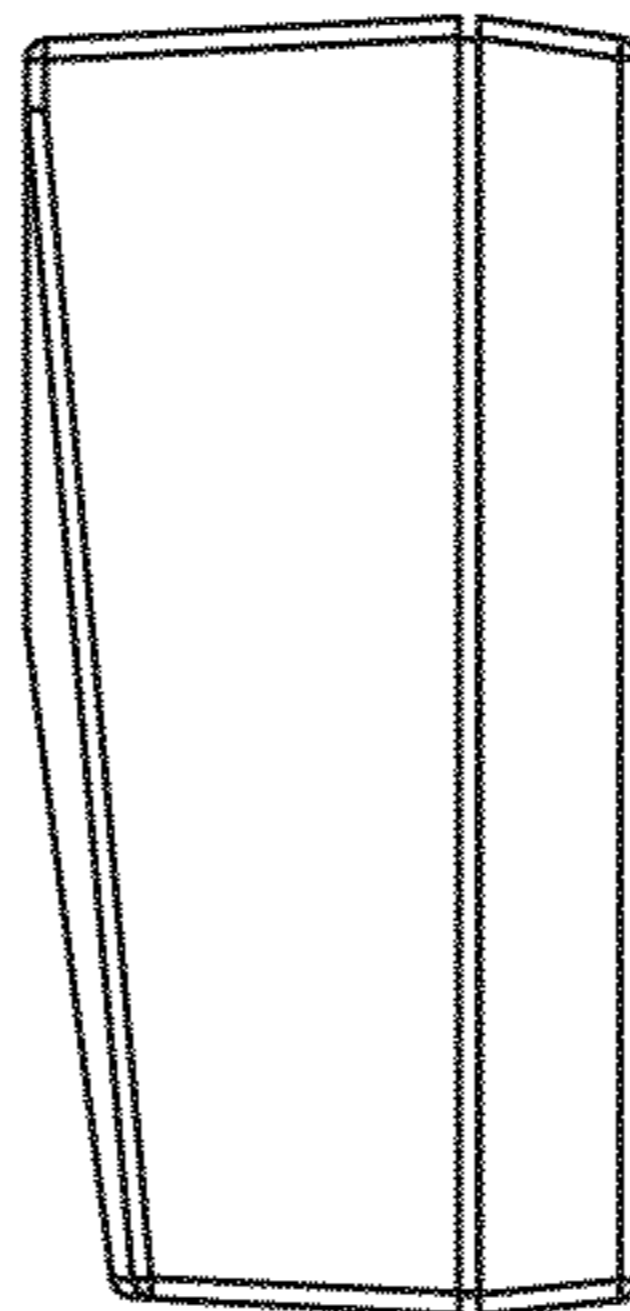


FIG. 6

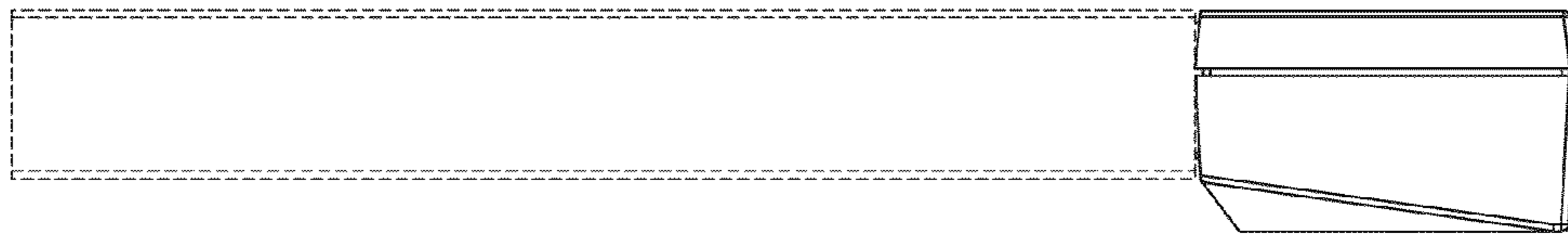


FIG. 7

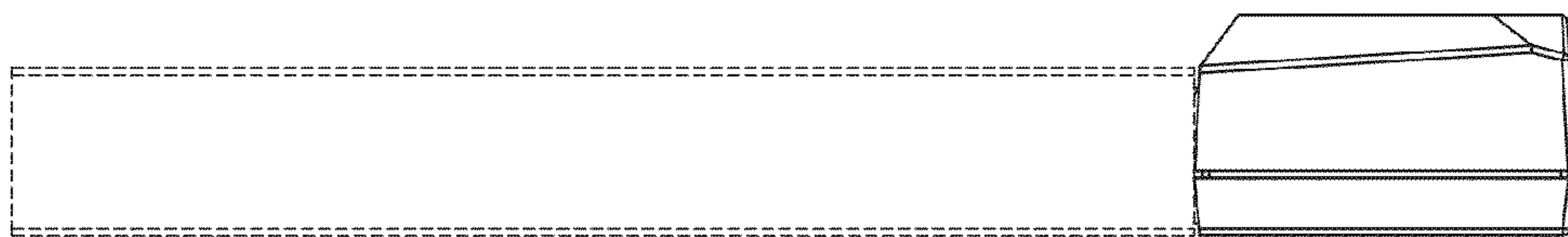


FIG. 8