



US00D711893S

(12) **United States Design Patent**
Poulton

(10) **Patent No.:** **US D711,893 S**

(45) **Date of Patent:** **** Aug. 26, 2014**

(54) **MEMORY DEVICE**

(71) Applicant: **LaCie, S.A.**, Paris (FR)

(72) Inventor: **Neil Poulton**, Paris (FR)

(73) Assignee: **Seagate Technology LLC**, Cupertino, CA (US)

(**) Term: **14 Years**

(21) Appl. No.: **29/460,629**

(22) Filed: **Jul. 12, 2013**

(51) **LOC (10) Cl.** **14-02**

(52) **U.S. Cl.**
USPC **D14/484.1**

(58) **Field of Classification Search**

CPC H05K 5/0278; G06K 19/07732
USPC D14/411, 433, 435.1, 436, 480.1-480.7,
D14/484.1, 137, 155, 203.1-203.8, 240,
D14/242; D13/133, 154

See application file for complete search history.

(56) **References Cited**

U.S. PATENT DOCUMENTS

D137,520 S *	3/1944	Trinajstich	D8/71
D188,102 S *	6/1960	Yarick	D13/133
D328,452 S *	8/1992	Lee	D13/133
6,561,421 B1 *	5/2003	Yu	235/451
D536,700 S *	2/2007	Landau	D14/480.5
D539,285 S *	3/2007	Landau	D14/480.2
D568,313 S *	5/2008	Leung	D14/480.3
D585,893 S *	2/2009	Wang	D14/480.2
7,558,070 B2 *	7/2009	Kang	361/752
D602,939 S *	10/2009	Andre	D14/480.1
D611,946 S *	3/2010	Wisniewski	D14/480.5

D639,789 S *	6/2011	Kim et al.	D14/242
8,014,130 B1 *	9/2011	Nguyen et al.	361/600
D649,513 S *	11/2011	Wu	D13/133
2004/0233629 A1 *	11/2004	Wang et al.	361/684

OTHER PUBLICATIONS

10 Stupid And/Or Cool USB Flash Drives : EveryJoe—Sports News—Tech Reviews—Entertainment—Life Tips for EveryJoe: OCZ ATV Flash Drive, [online], [retrieved on Nov. 2, 2009]. Retrieved from the Internet <URL: <http://www.everyjoe.com/articles/10-stupid-andor-cool-usb-flash-drives/>>.*

* cited by examiner

Primary Examiner — Karen E Kearney

(74) *Attorney, Agent, or Firm* — Mueting, Raasch & Gebhardt, P.A.

(57) **CLAIM**

The ornamental design for a memory device, as shown and described.

DESCRIPTION

FIG. 1 is a perspective view of a memory device showing my new design;

FIG. 2 is a left view thereof, the right view being identical;

FIG. 3 is a front view thereof;

FIG. 4 is a rear view thereof;

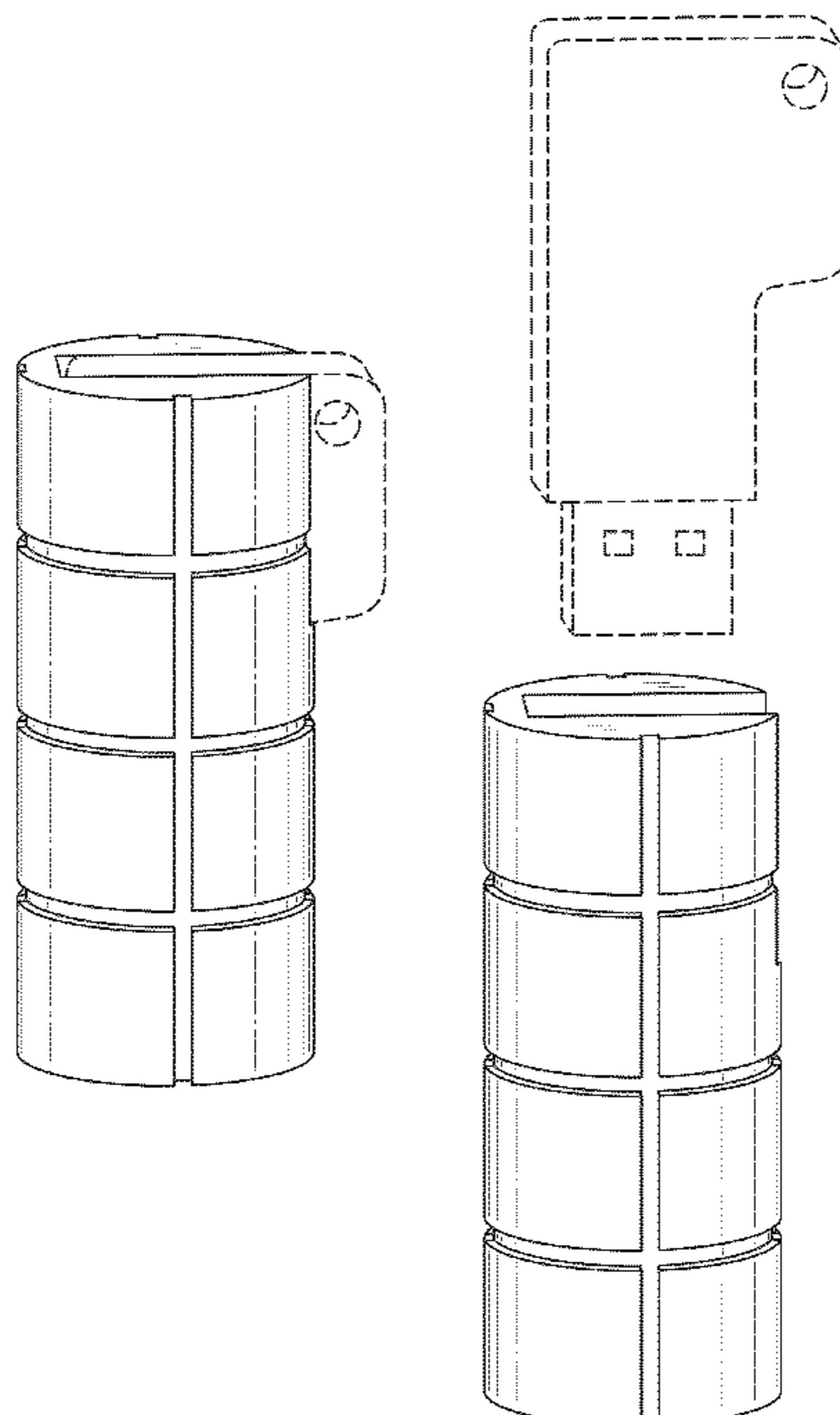
FIG. 5 is a top view thereof;

FIG. 6 is a bottom view thereof; and,

FIG. 7 is a perspective view of the memory device showing the broken line portion removed.

The broken line showing of the USB device is for the purpose of illustrating environmental structure and forms no part of the claimed design.

1 Claim, 4 Drawing Sheets



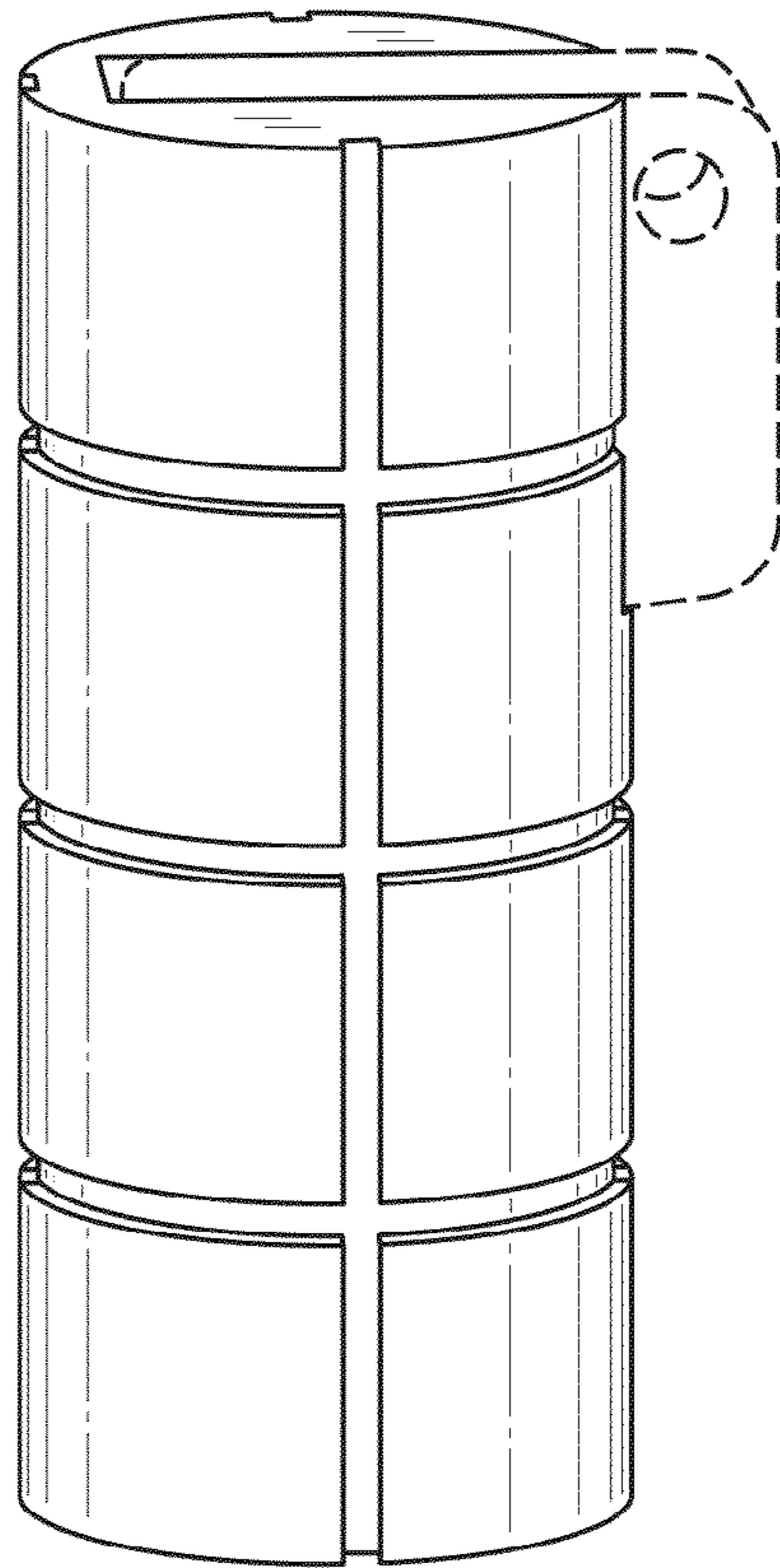


Fig. 1

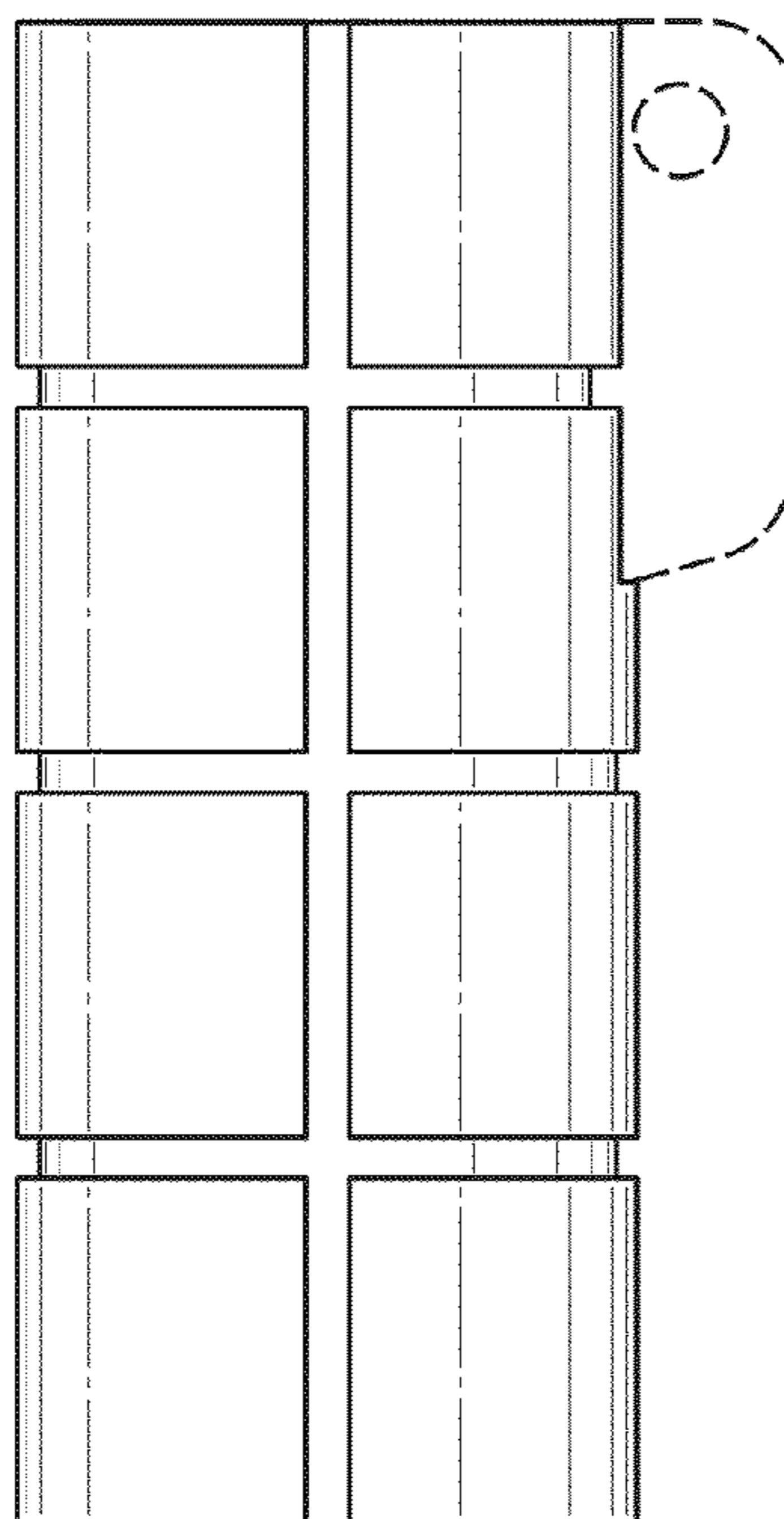


Fig. 2

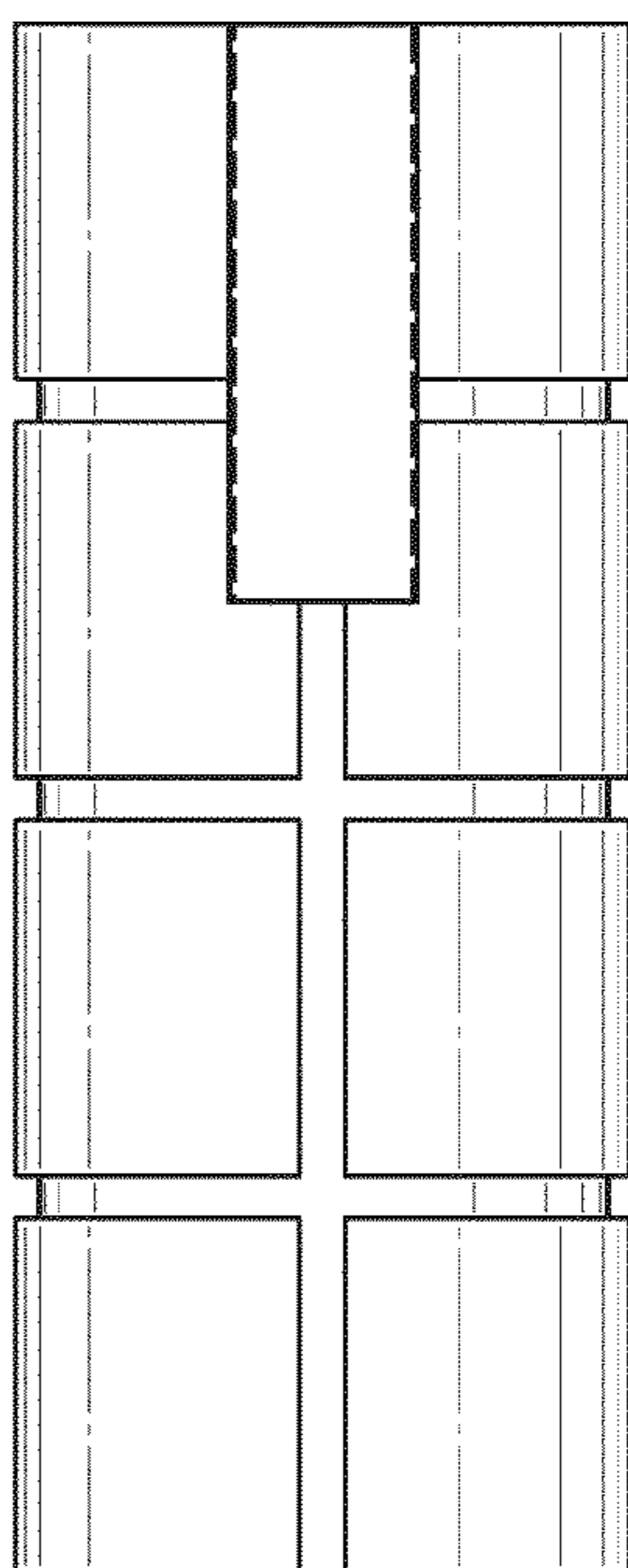


Fig. 3

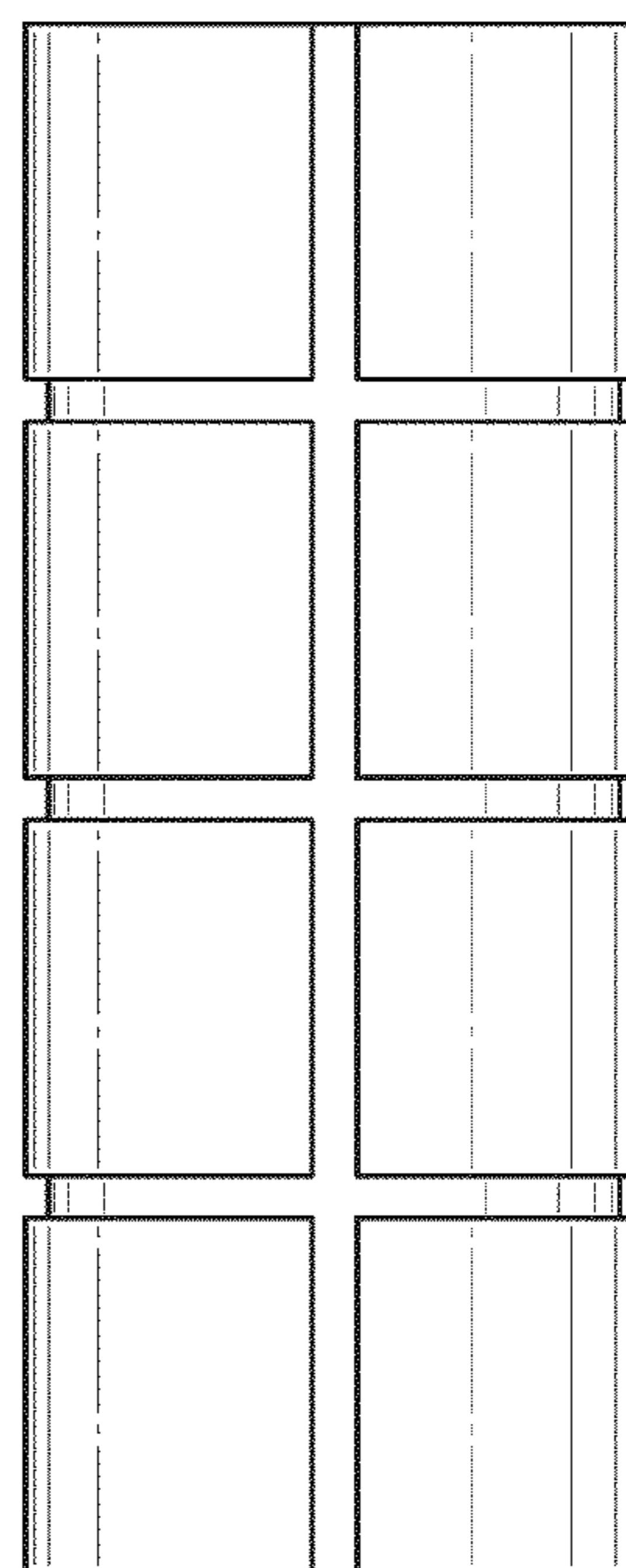


Fig. 4

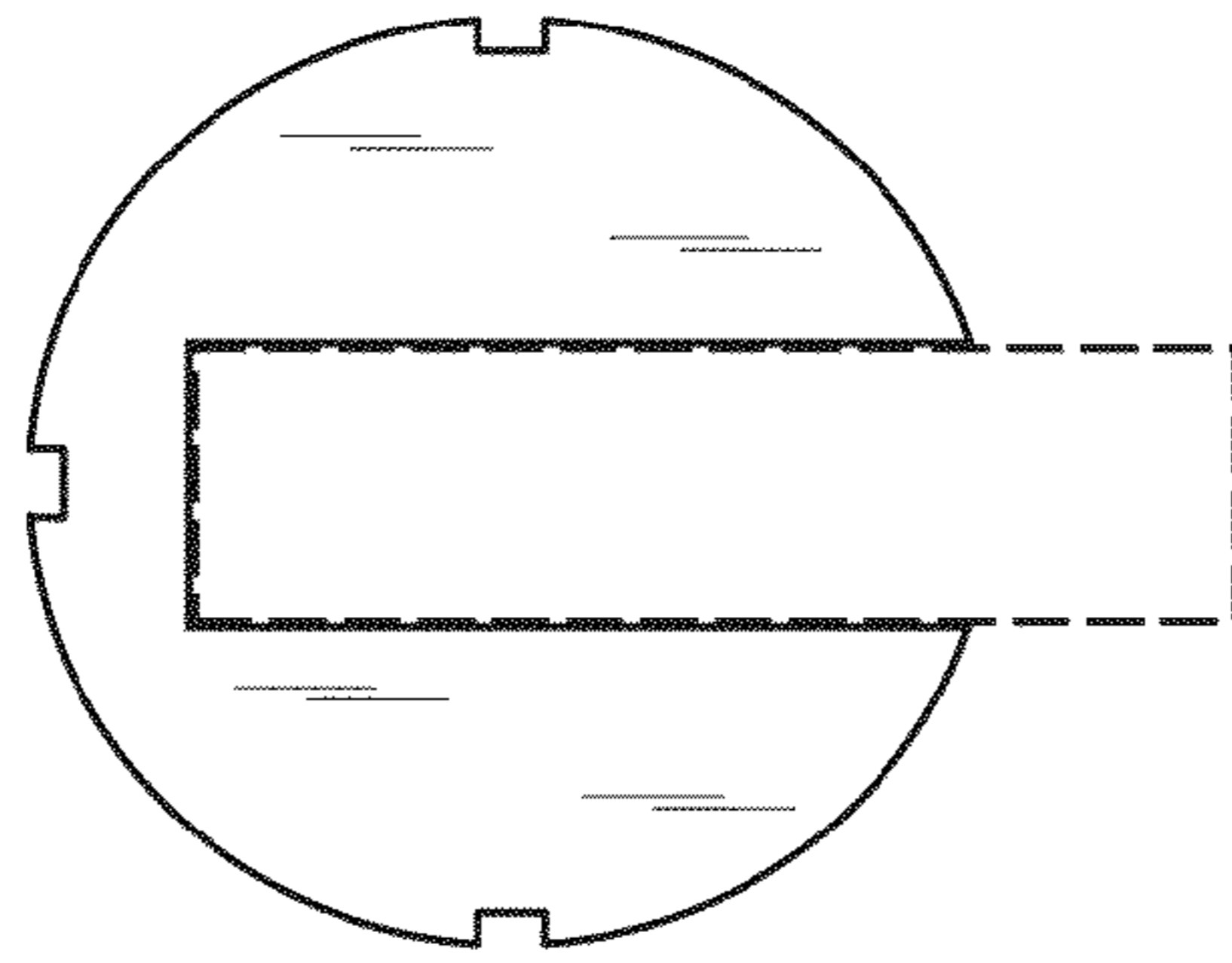


Fig. 5

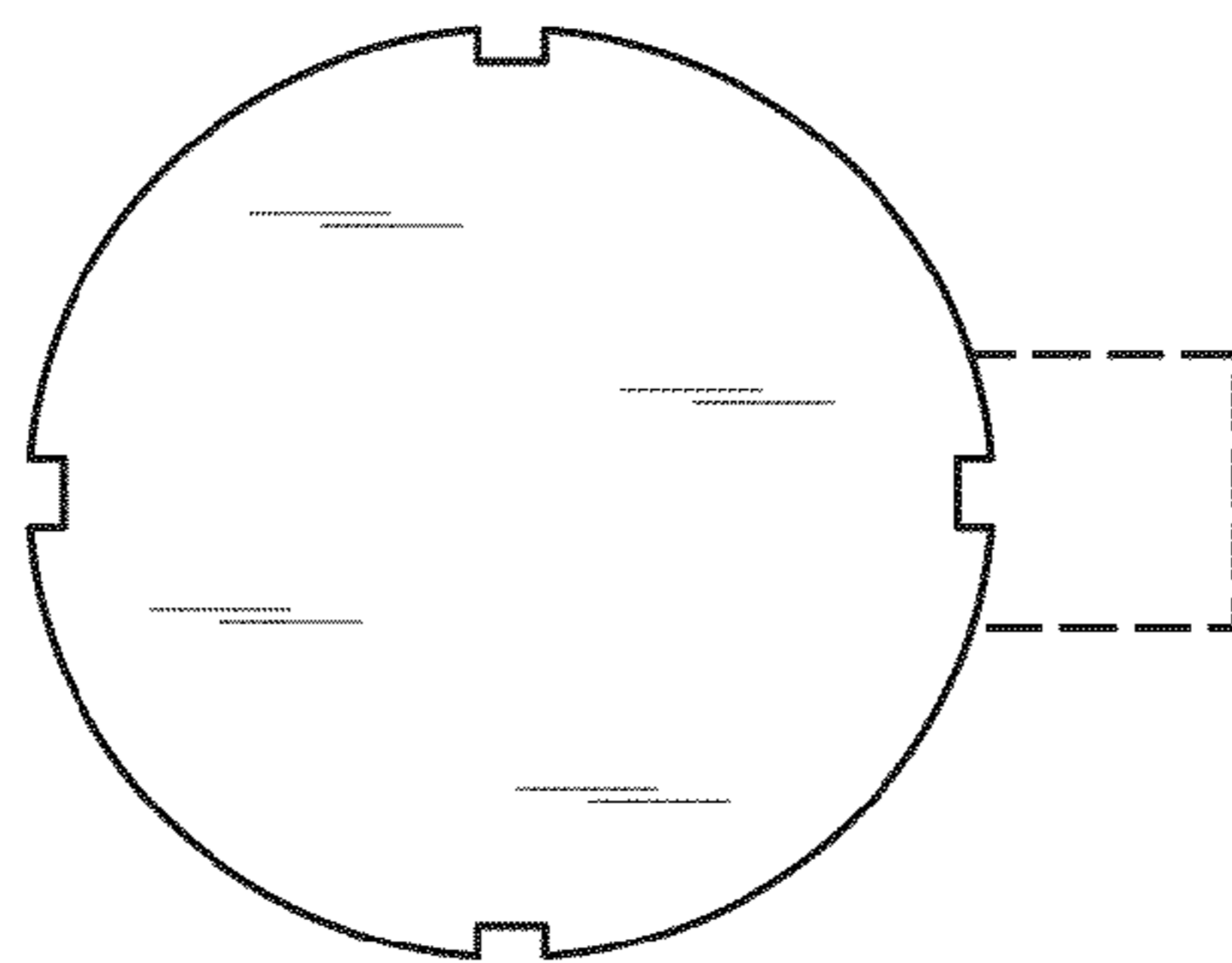


Fig. 6

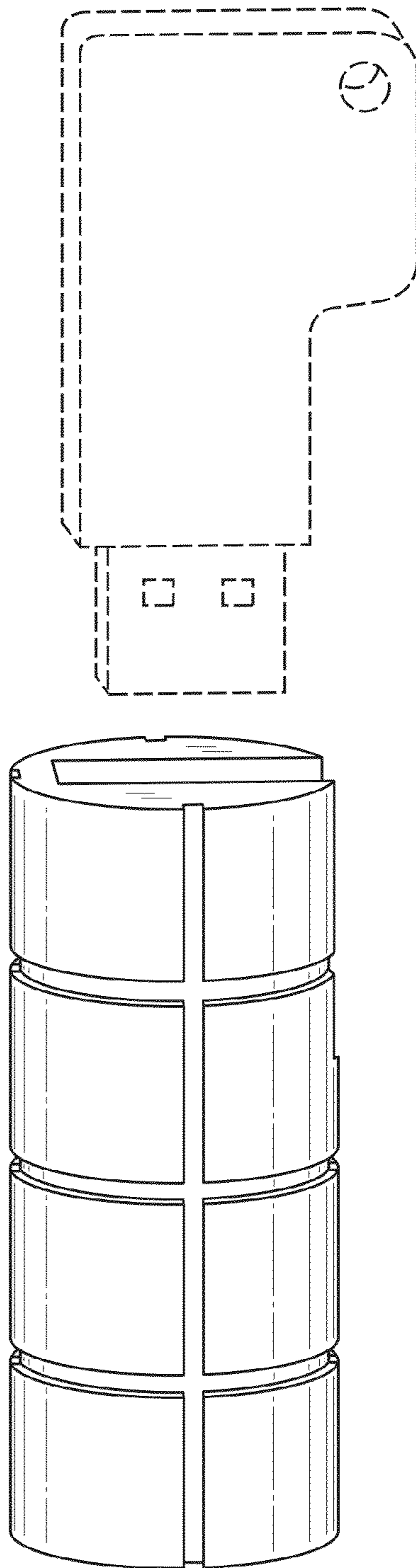


Fig. 7

UNITED STATES PATENT AND TRADEMARK OFFICE
CERTIFICATE OF CORRECTION

PATENT NO. : D711,893 S
APPLICATION NO. : 29/460629
DATED : August 26, 2014
INVENTOR(S) : Neil Poulton

Page 1 of 1

It is certified that error appears in the above-identified patent and that said Letters Patent is hereby corrected as shown below:

On the title page item (73), Assignee.

Please delete "Seagate Technology LLC, Cupertino, CA (US)" and insert --LaCie, S.A., Paris (FR)--.

Signed and Sealed this
Twentieth Day of October, 2015



Michelle K. Lee
Director of the United States Patent and Trademark Office