



US00D711889S

(12) **United States Design Patent**
Ritchey

(10) **Patent No.:** **US D711,889 S**

(45) **Date of Patent:** **** Aug. 26, 2014**

(54) **CARRYING APPARATUS FOR MOBILE COMPUTING DEVICE**

(71) Applicant: **Craig E. Ritchey**, Brighton, CO (US)

(72) Inventor: **Craig E. Ritchey**, Brighton, CO (US)

(73) Assignee: **Ritchey Manufacturing Company**,
Brighton, CO (US)

(**) Term: **14 Years**

(21) Appl. No.: **29/471,034**

(22) Filed: **Oct. 28, 2013**

(51) **LOC (10) Cl.** **08-07**

(52) **U.S. Cl.**
USPC **D14/447**

(58) **Field of Classification Search**

USPC D14/447, 432, 434, 439, 440, 451, 452,
D14/457, 460, 461, 238.1, 250, 251, 253;
D3/218, 217, 247, 294; D6/406.3,
D6/406.4, 406.5, 406.6; 248/444, 441.1,
248/188.6, 917-924; 361/679.02, 679.03,
361/679.04, 679.09, 679.21, 679.26,
361/679.27, 679.3, 679.55, 679.56

See application file for complete search history.

(56) **References Cited**

U.S. PATENT DOCUMENTS

D323,435 S * 1/1992 Palacios D6/406.3
D361,070 S * 8/1995 Wall et al. D14/253
6,036,011 A * 3/2000 DeCurtis et al. 206/320
6,267,236 B1 * 7/2001 Seok 206/320
D483,961 S * 12/2003 Hasz D6/419
D510,186 S * 10/2005 Bell D3/247
D525,488 S * 7/2006 McWhorter D7/590
D565,842 S * 4/2008 Falcone D3/294
7,821,779 B2 * 10/2010 Daley, III 361/679.02

D627,166 S * 11/2010 Fahim D3/287
8,091,486 B1 * 1/2012 Broaddrick 108/43
8,256,619 B2 * 9/2012 Lebauer et al. 206/579
2004/0200870 A1 * 10/2004 Haber 224/259
2007/0051766 A1 * 3/2007 Spencer 224/607
2008/0230160 A1 * 9/2008 Huang 150/165
2009/0272779 A1 * 11/2009 Vu 224/677
2009/0321490 A1 * 12/2009 Groene et al. 224/576
2010/0108726 A1 * 5/2010 Hilgenberg 224/153
2012/0074271 A1 * 3/2012 Goetz 248/121

* cited by examiner

Primary Examiner — Angela J Lee

(74) *Attorney, Agent, or Firm* — Sheridan Ross, P.C.

(57) **CLAIM**

The ornamental design for the carrying apparatus for mobile computing device, as shown and described.

DESCRIPTION

FIG. 1 is a first perspective view of a carrying apparatus for mobile computing device, the broken lines depicting environment and forming no part of the claimed design;

FIG. 2 is a second perspective view of the carrying apparatus of FIG. 1;

FIG. 3 is a front elevation view of the carrying apparatus of FIG. 2;

FIG. 4 is a rear elevation view of the carrying apparatus of FIG. 2;

FIG. 5 is right side view of the carrying apparatus of FIG. 2;

FIG. 6 is left side view of the carrying apparatus of FIG. 2;

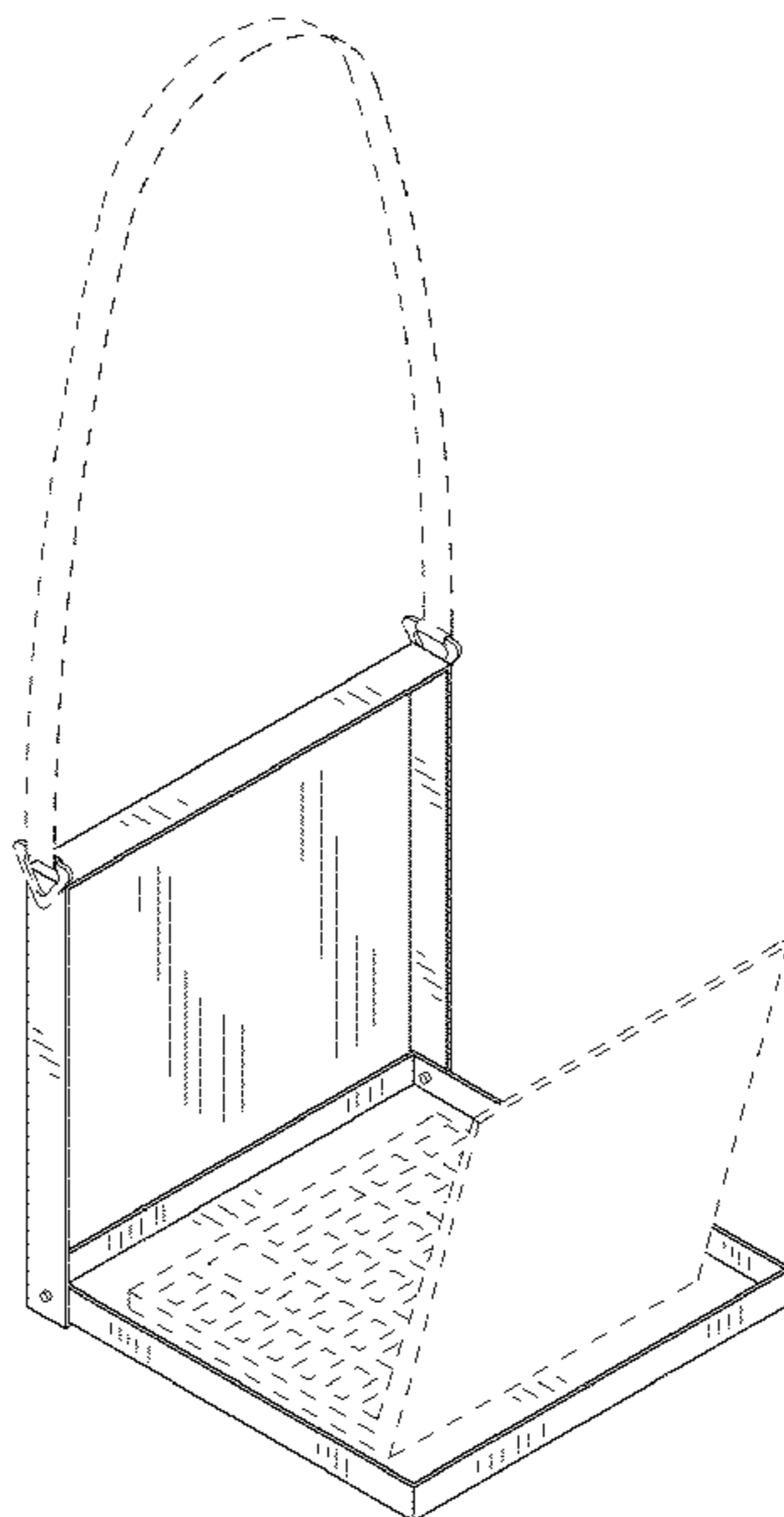
FIG. 7 is a top plan view of the carrying apparatus of FIG. 2;

and,

FIG. 8 is a bottom plan view of the carrying apparatus of FIG. 2.

The environment and portions of the carrying apparatus for mobile computing device shown in broken lines form no part of the claimed design.

1 Claim, 5 Drawing Sheets



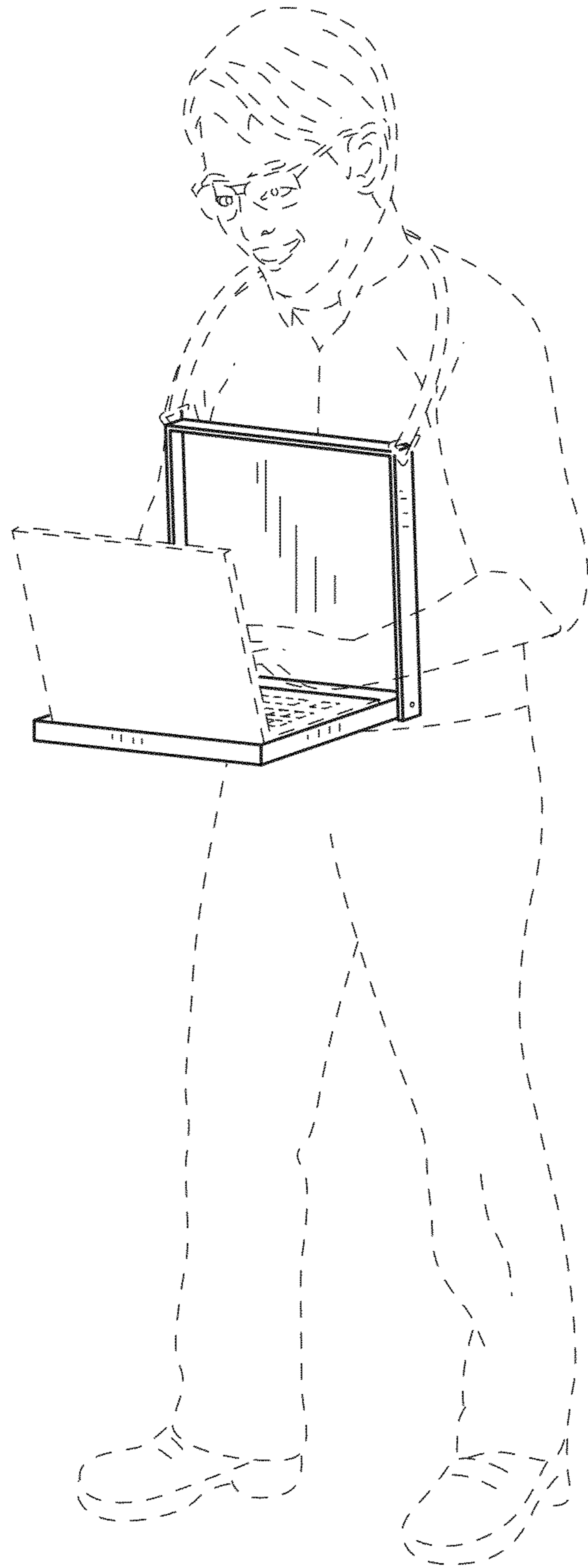


FIG.1

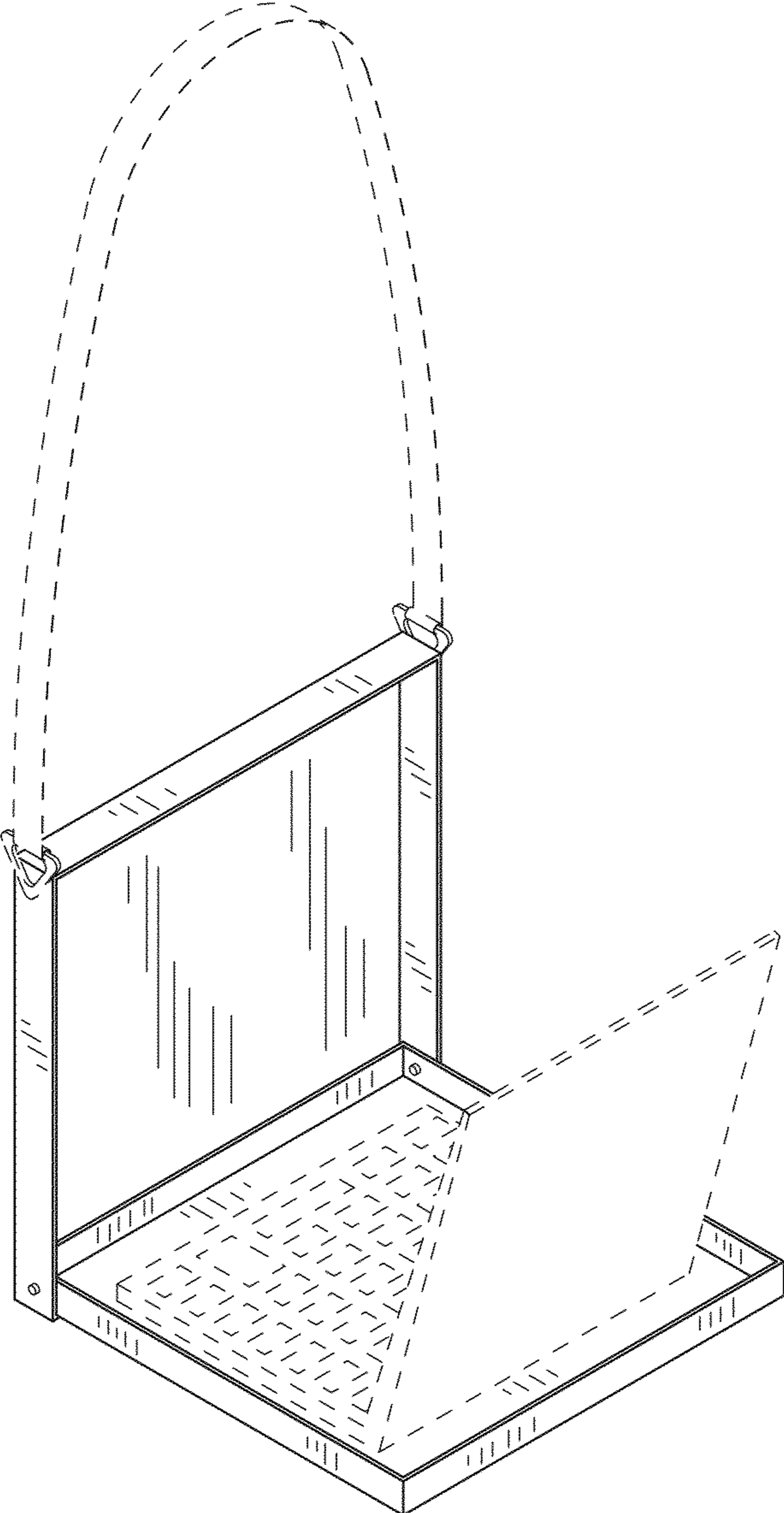


FIG.2

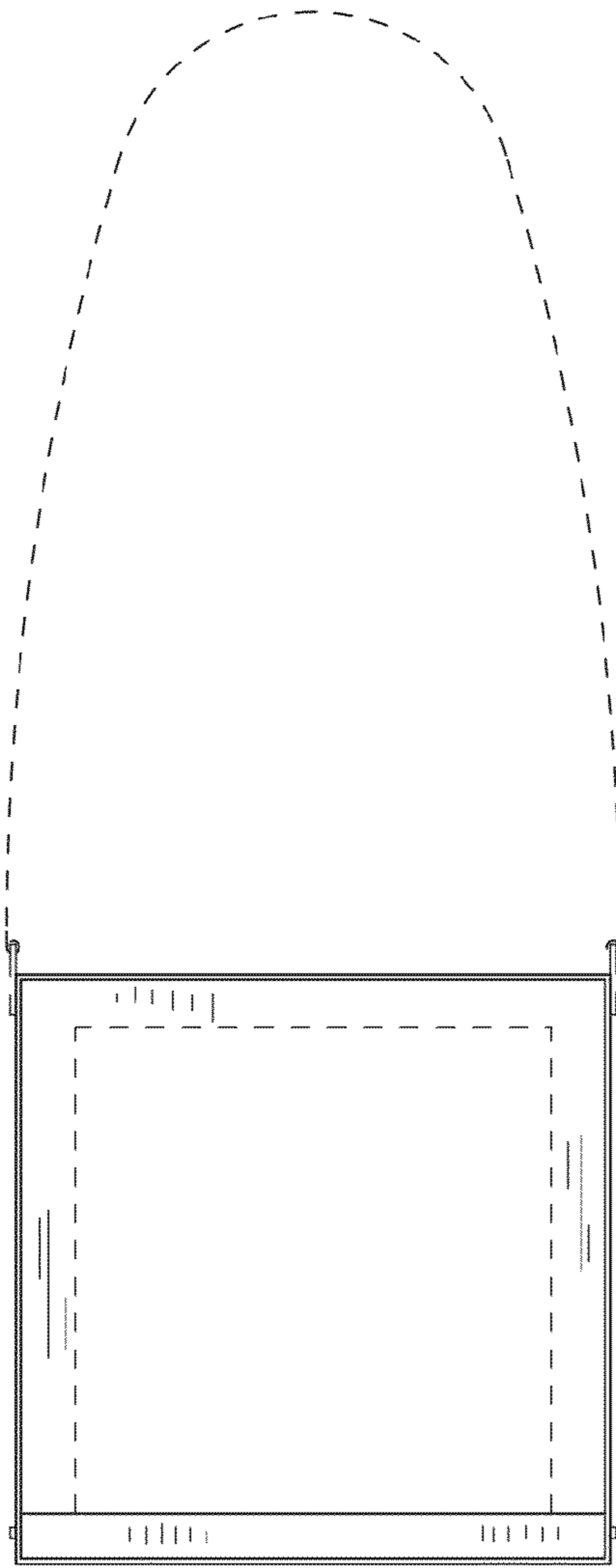


FIG.3

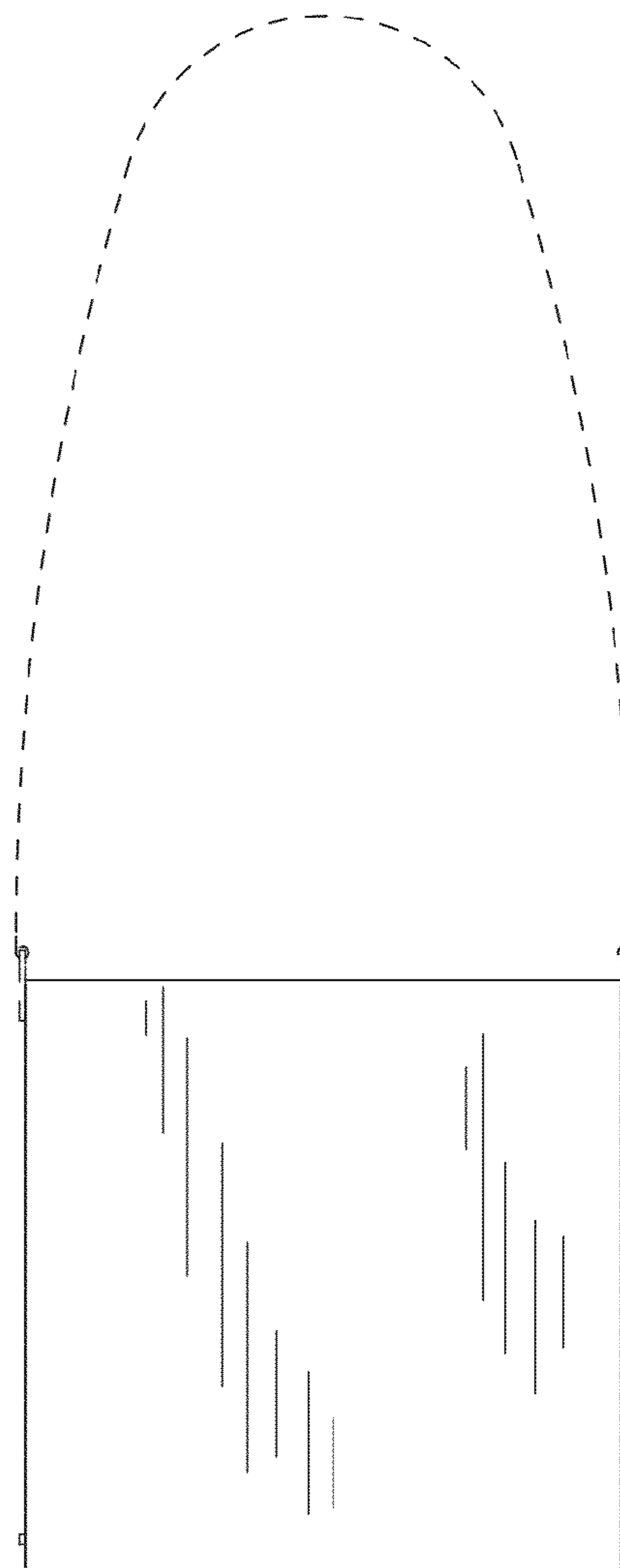


FIG.4

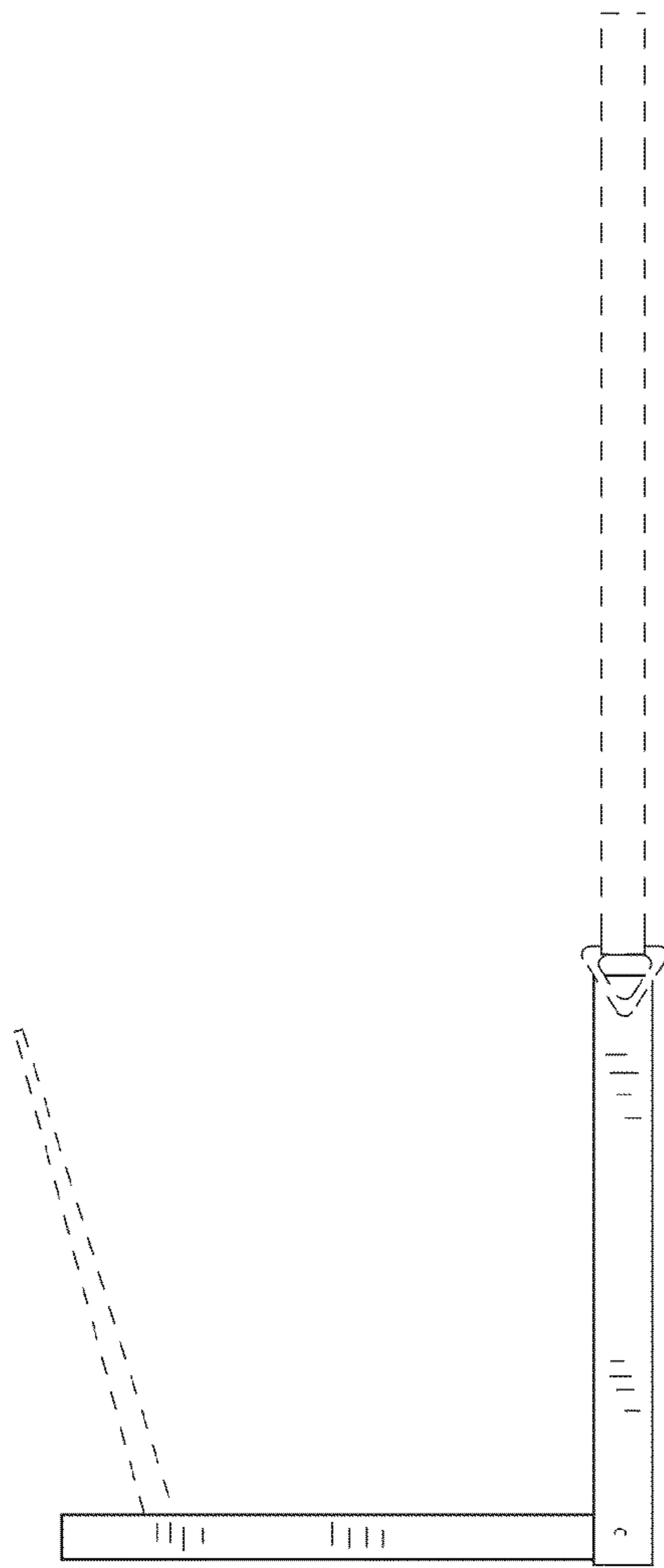


FIG. 5

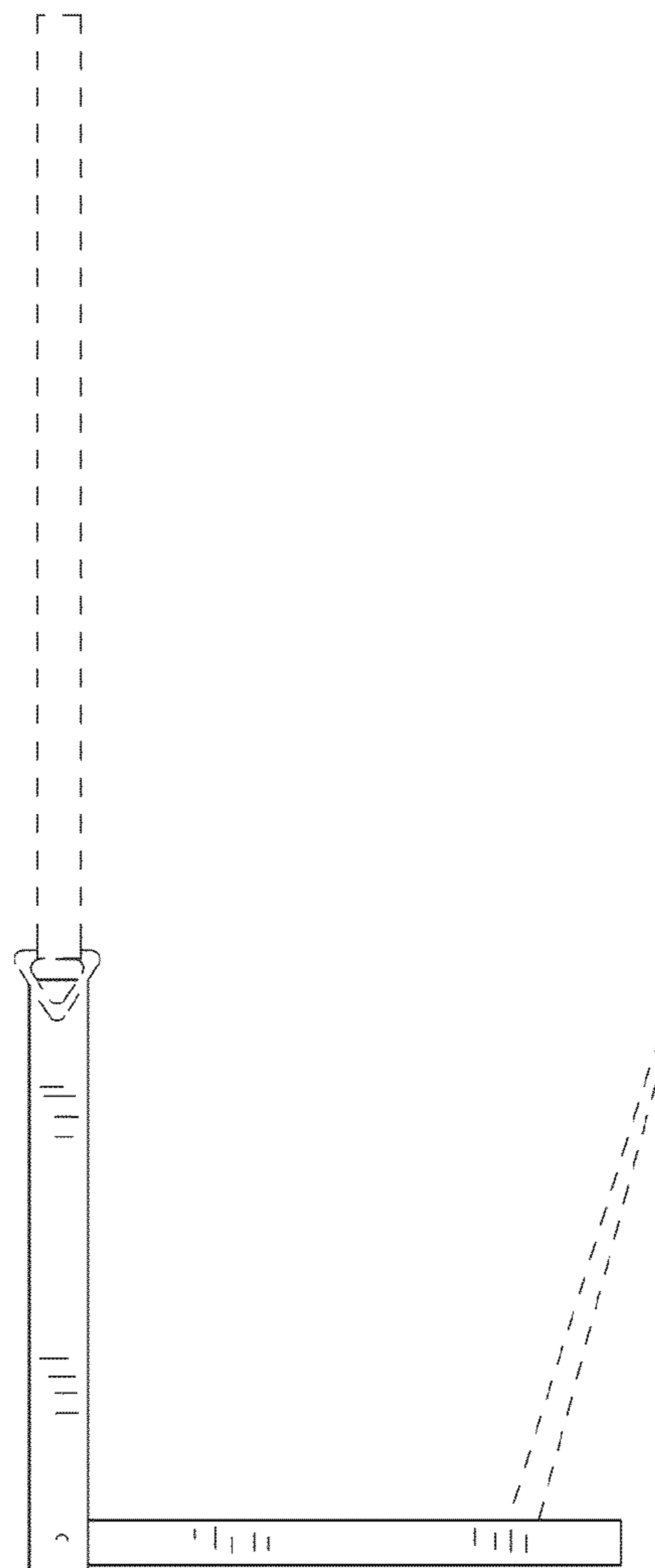


FIG. 6

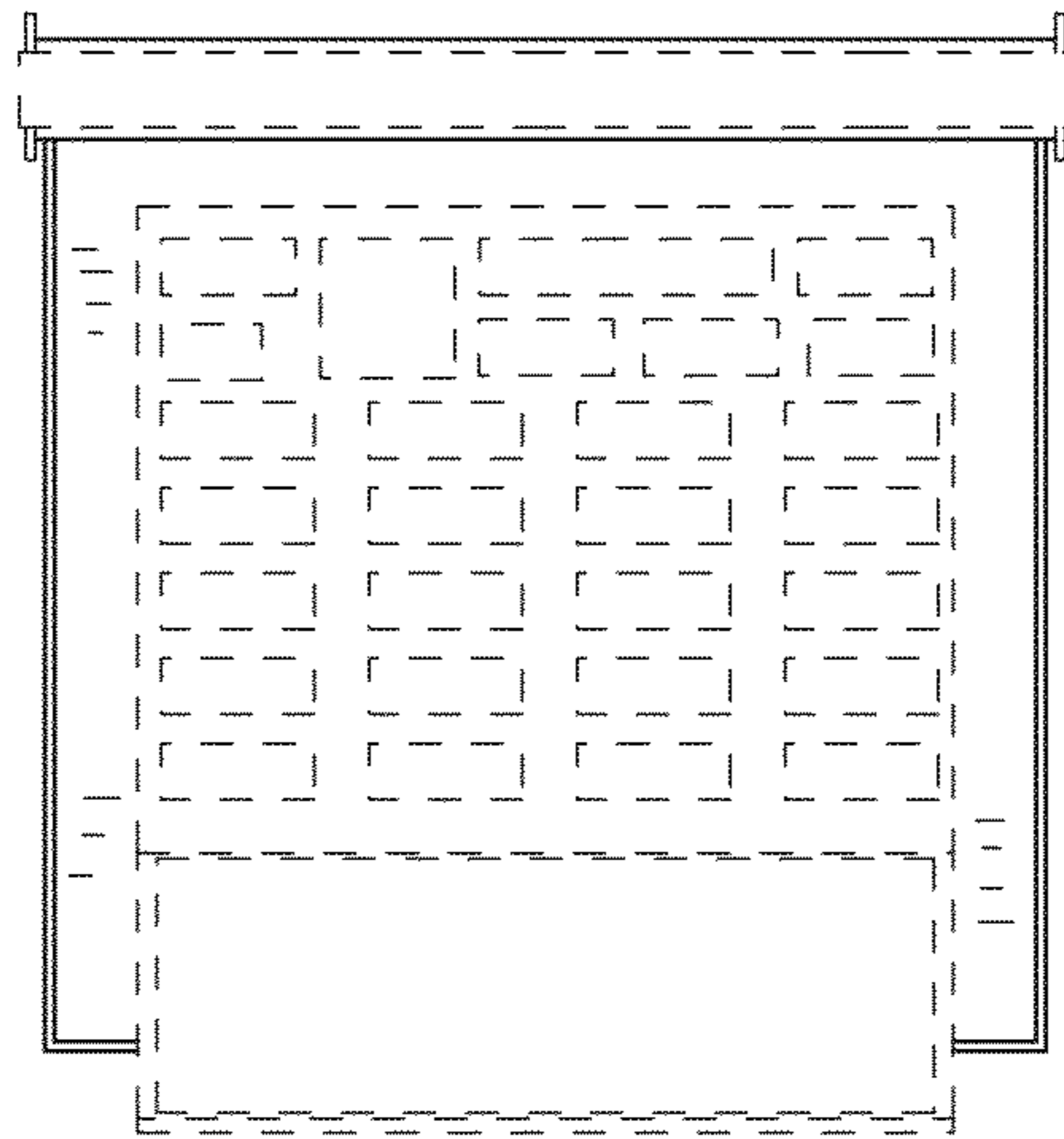


FIG. 7

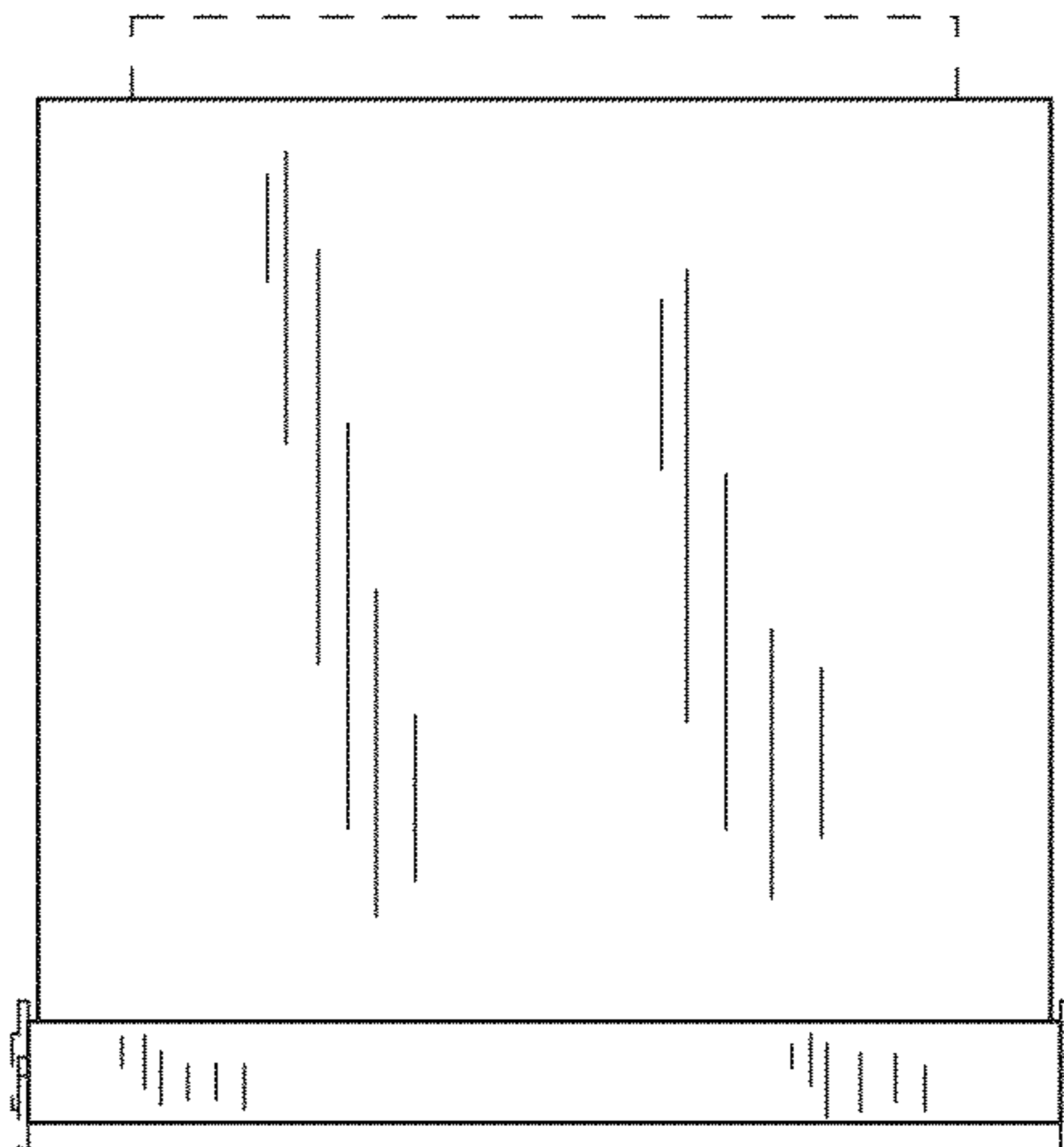


FIG. 8