



US00D711888S

(12) **United States Design Patent**
Huebner

(10) **Patent No.:** **US D711,888 S**

(45) **Date of Patent:** **** Aug. 26, 2014**

(54) **STAND FOR A COORDINATE INPUT DEVICE**

FOREIGN PATENT DOCUMENTS

(71) Applicant: **Wacom Co., Ltd.**, Kazo (JP)

JP 64-41342 U 3/1989

(72) Inventor: **Volker Huebner**, Erkrath (DE)

Primary Examiner — Angela J Lee

(73) Assignee: **Wacom Co., Ltd.**, Kazo-shi (JP)

(74) *Attorney, Agent, or Firm* — Christensen O'Connor Johnson Kindness PLLC

(**) Term: **14 Years**

(57) **CLAIM**

The ornamental design for a stand for a coordinate input device, as shown and described.

(21) Appl. No.: **29/460,814**

DESCRIPTION

(22) Filed: **Jul. 15, 2013**

(30) **Foreign Application Priority Data**

Jan. 18, 2013 (JP) 2013-000805

(51) **LOC (10) Cl.** **08-03**

(52) **U.S. Cl.**
USPC **D14/447**

(58) **Field of Classification Search**

USPC D14/447, 432, 434, 439, 440, 451, 452,
D14/457, 460, 461, 238.1, 250, 251, 253;
D3/218; D6/406.3, 406.4, 406.5,
D6/406.6; 248/444, 441.1, 188.6,
248/917-924; 361/679.02, 679.03, 679.04,
361/679.09, 679.21, 679.26, 679.27, 679.3,
361/679.55, 679.56

See application file for complete search history.

(56) **References Cited**

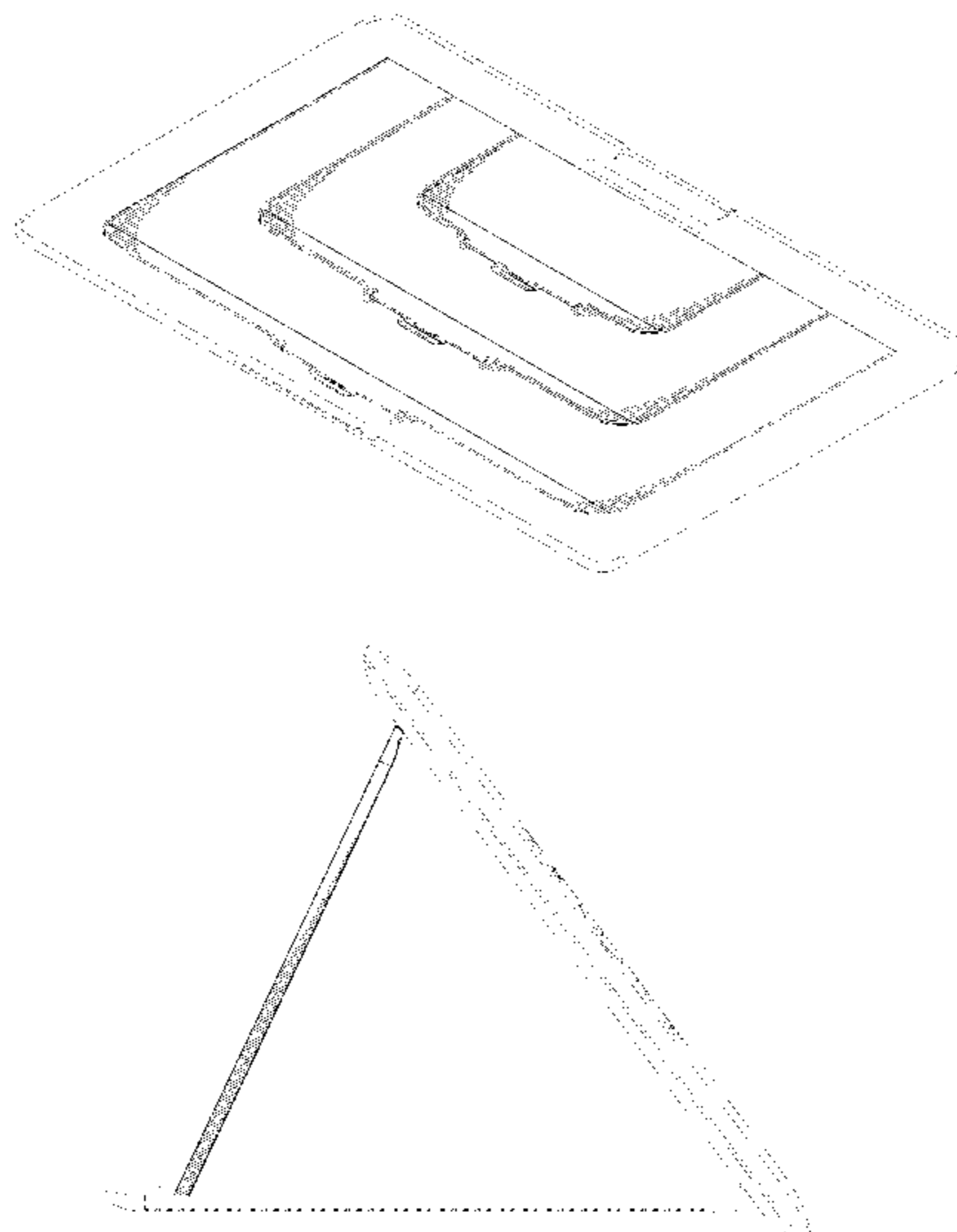
U.S. PATENT DOCUMENTS

D413,872 S * 9/1999 Jessen D14/447
D437,709 S * 2/2001 Edstrom D6/406.4
D639,814 S * 6/2011 Farris-Gilbert et al. D14/447
D661,310 S * 6/2012 Belongia et al. D14/447
D667,011 S * 9/2012 Wu et al. D14/447
D667,012 S * 9/2012 Chen et al. D14/447
D672,352 S * 12/2012 Gengler D14/440

(Continued)

FIG. 1 is a bottom front right perspective view of a stand for a coordinate input device showing my new design;
FIG. 2 is a front elevation view thereof;
FIG. 3 is a rear elevation view thereof;
FIG. 4 is a left side elevation view thereof;
FIG. 5 is a right side elevation view thereof;
FIG. 6 is a bottom plan view thereof;
FIG. 7 is a top plan view thereof;
FIG. 8 is a cross-sectional view along line 8-8 in FIG. 6;
FIG. 9 is a cross-sectional view along line 9-9 in FIG. 6;
FIG. 10 is a cross-sectional view along line 8-8 in FIG. 6 with the stand extended to a full height position;
FIG. 11 is a left side elevation view of the stand extended to a short height position;
FIG. 12 is a left side elevation view of the stand extended to a mid height position;
FIG. 13 is a left side elevation view of the stand extended to the full height position;
FIG. 14 is a left side elevation view of the stand extended to the short height position;
FIG. 15 is a left side elevation view of the stand extended to the mid height position; and,
FIG. 16 is a left side elevation view of the stand extended to the full height position.
The broken lines shown in FIGS. 1-16 illustrate environmental subject matter and form no part of the claimed design.

1 Claim, 11 Drawing Sheets



US D711,888 S

Page 2

(56)

References Cited

U.S. PATENT DOCUMENTS

D676,853 S * 2/2013 Gengler D14/447
D684,963 S * 6/2013 Goodrich D14/253

D689,870 S * 9/2013 Fong et al. D14/447
D692,010 S * 10/2013 Verghese D14/447
D697,069 S * 1/2014 Tak et al. D14/447
2013/0299663 A1* 11/2013 Pan et al. 248/371

* cited by examiner

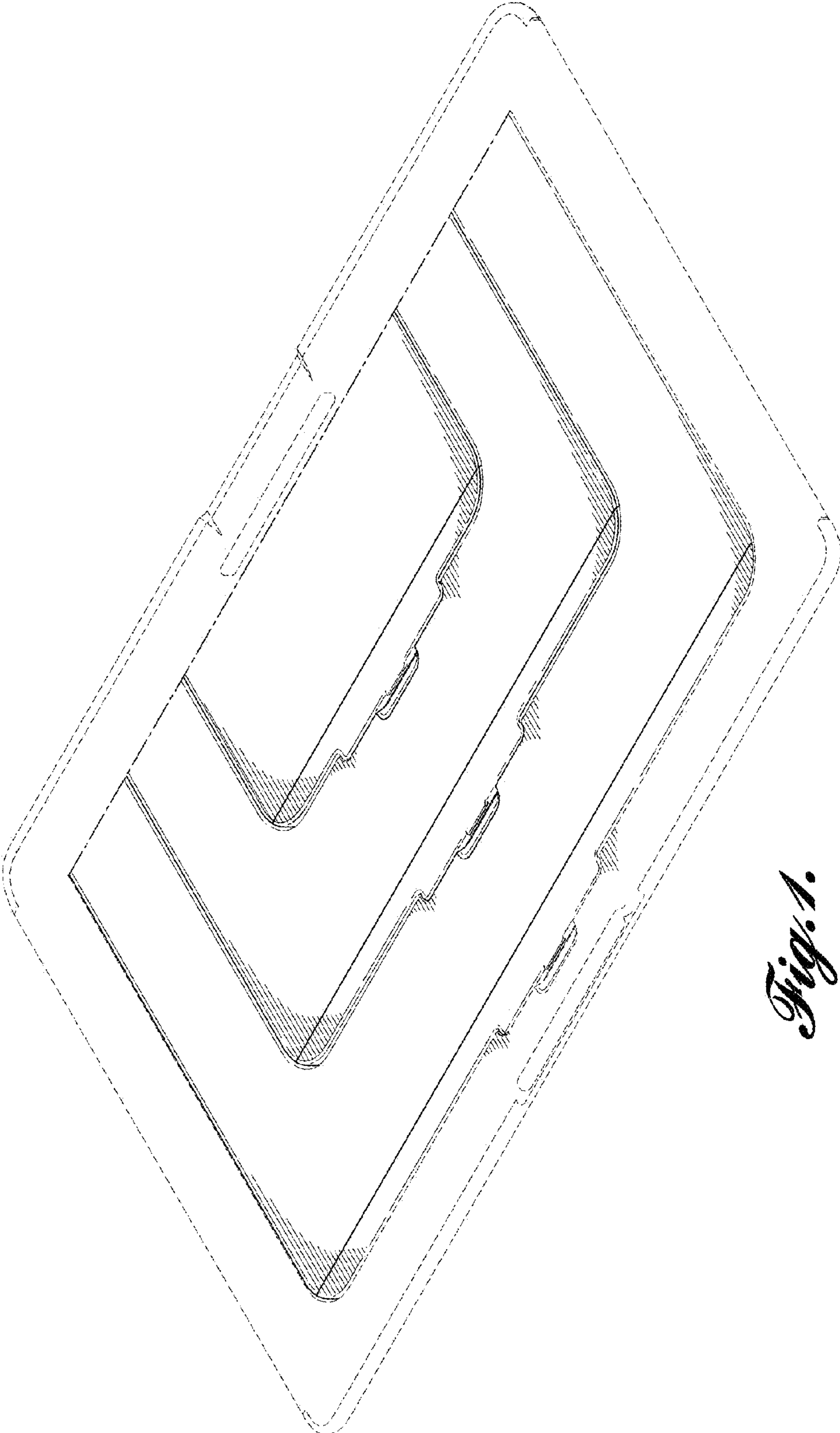


Fig. 1.

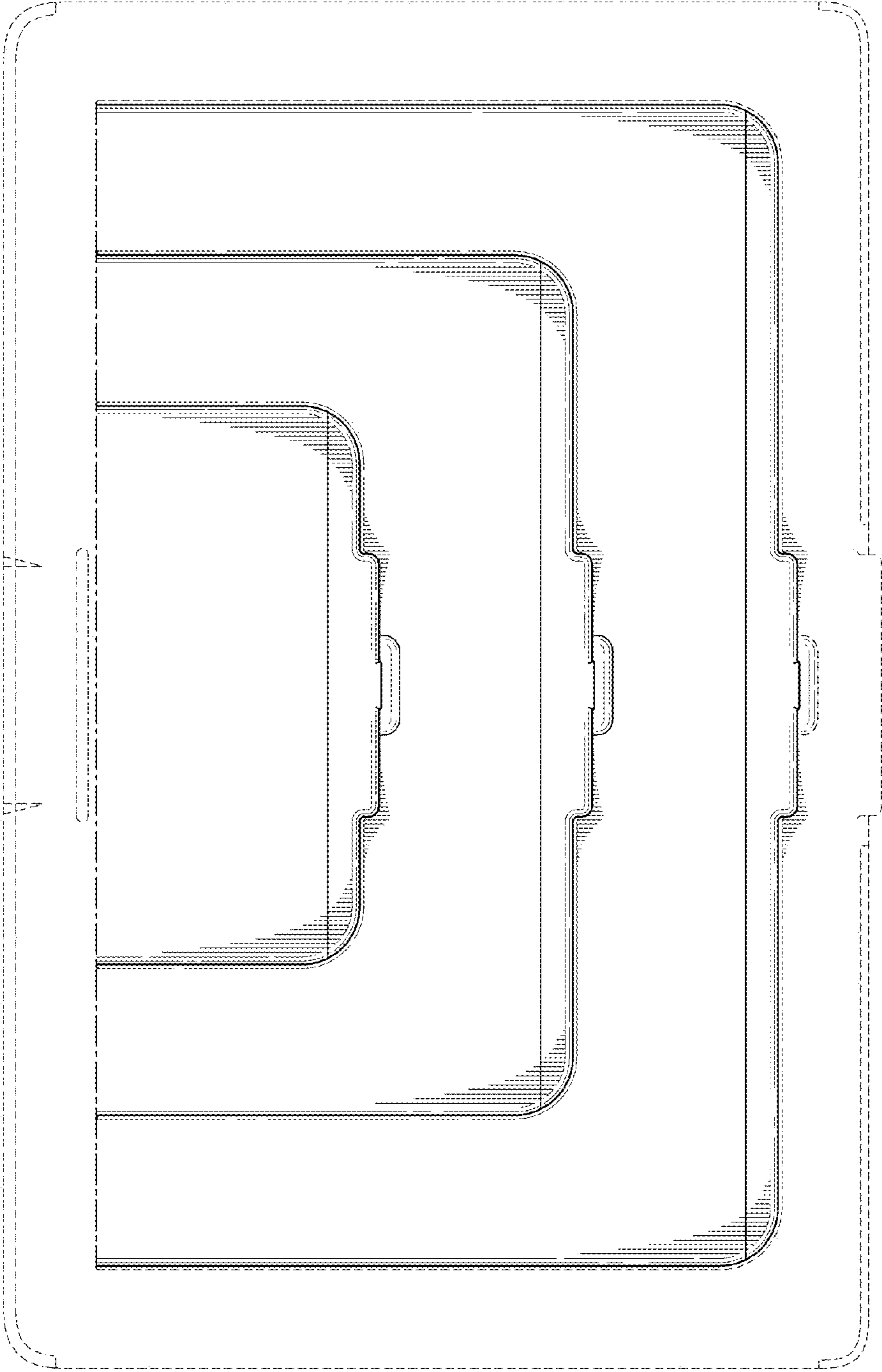


Fig. 2.

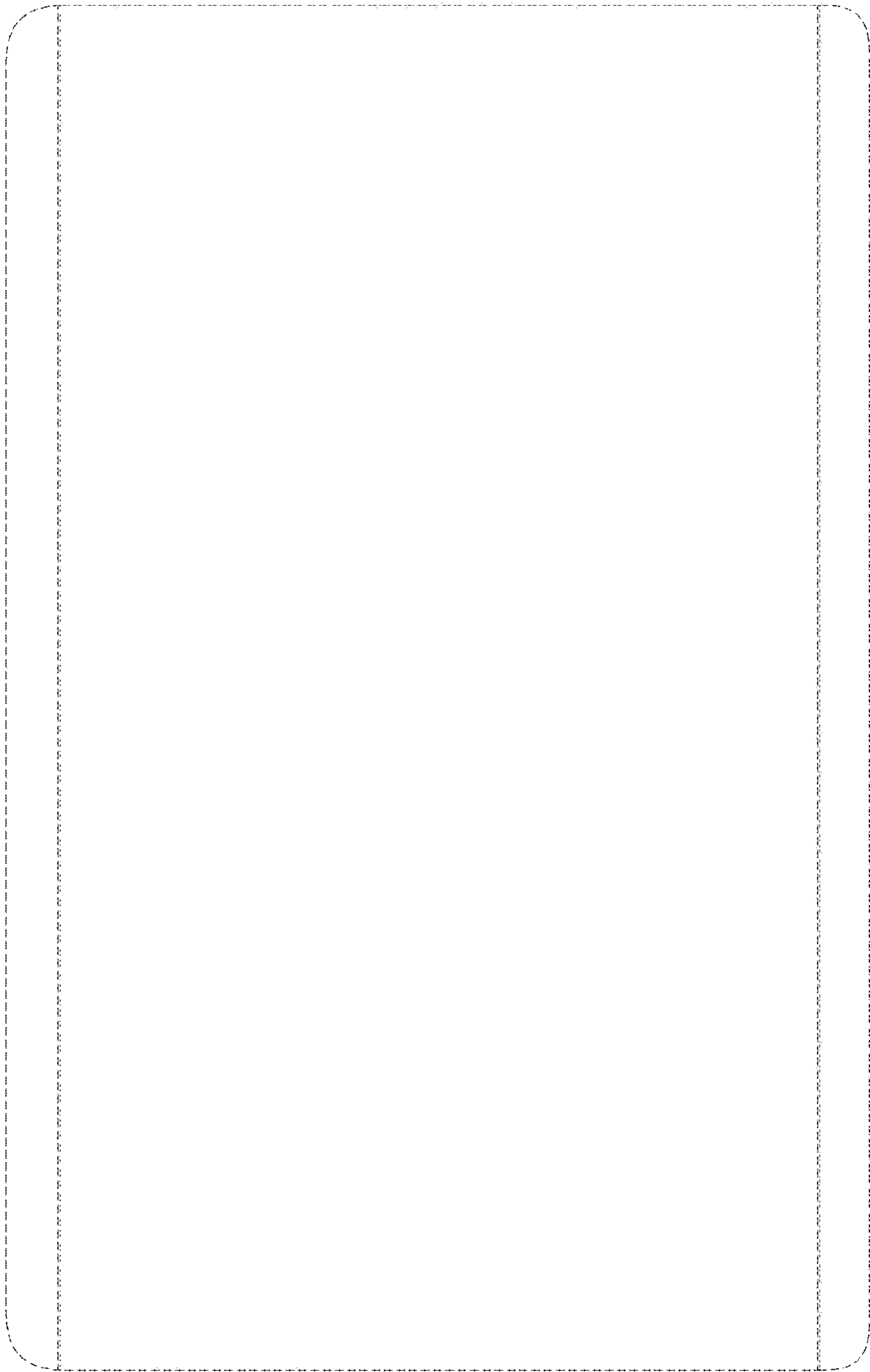


Fig. 3.



Fig. 4.

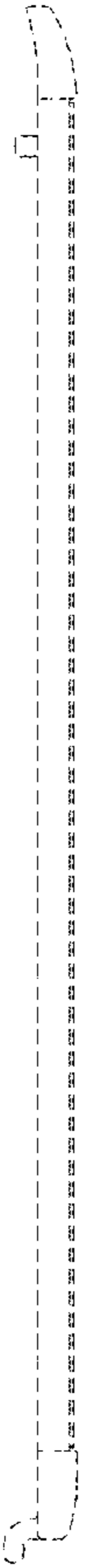


Fig. 5.

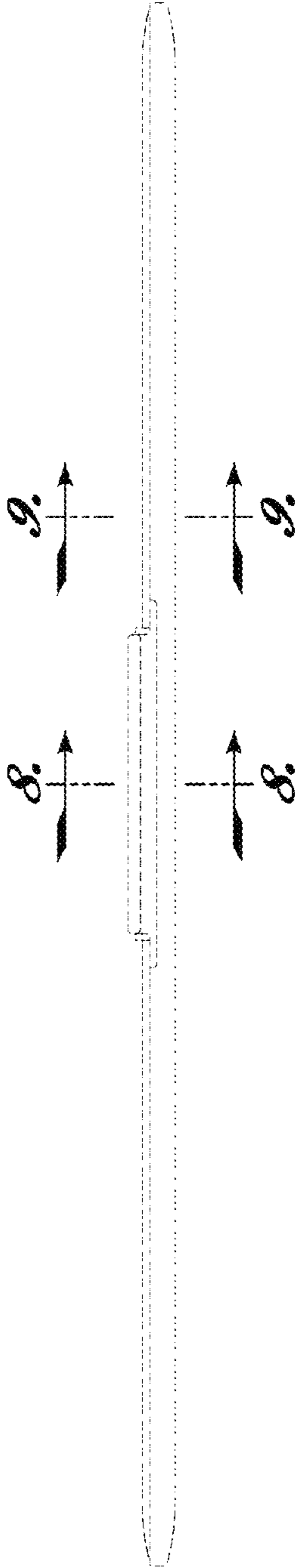


Fig. 6.

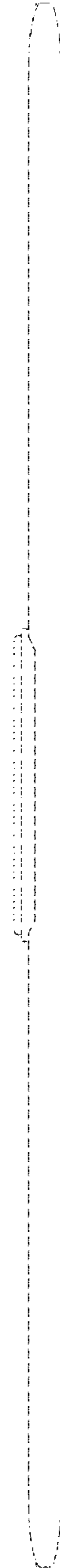


Fig. 7.

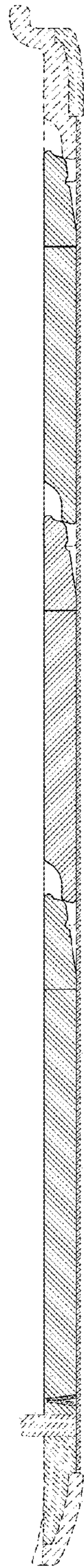


Fig. 8.



Fig. 9.

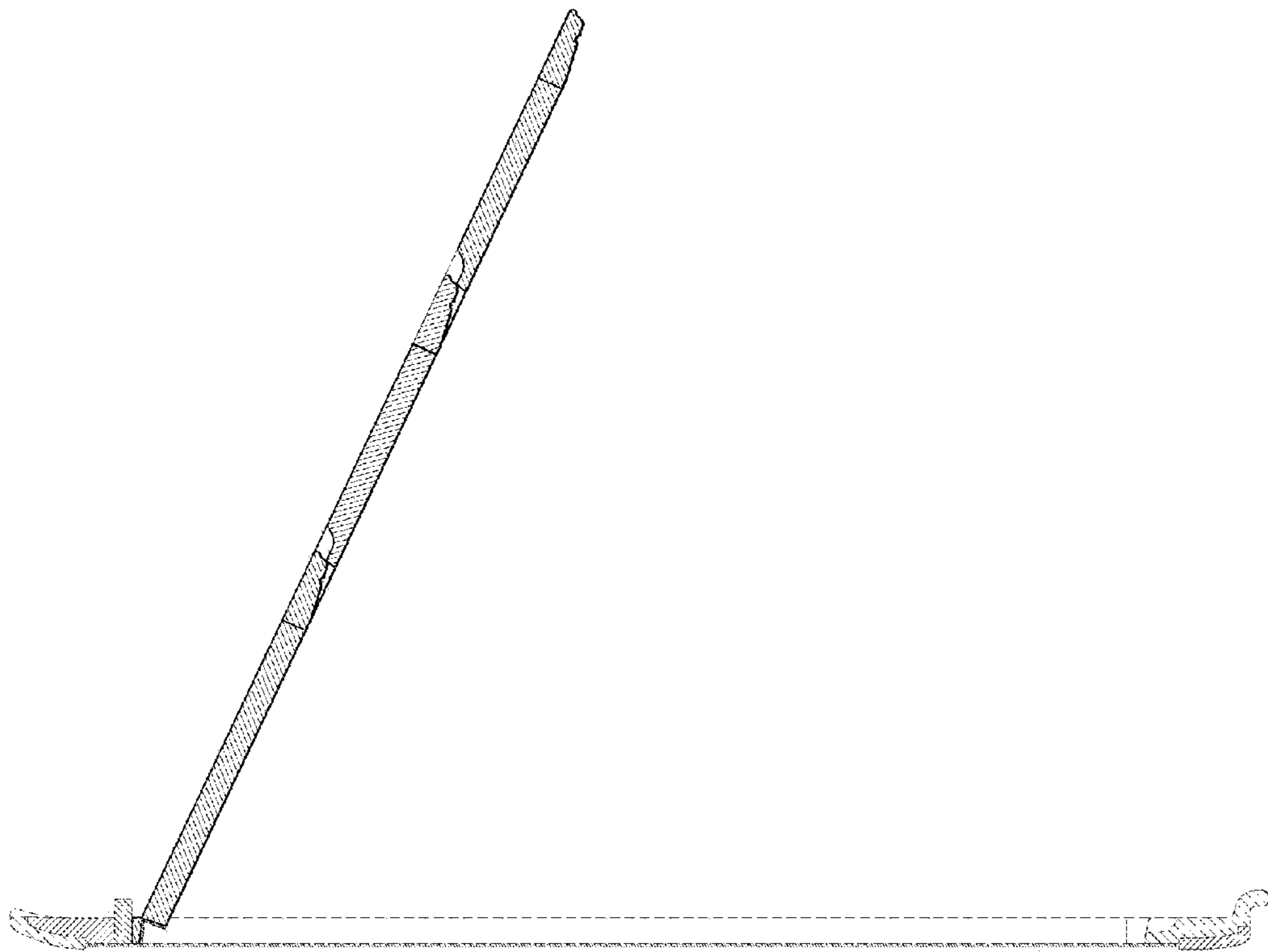


Fig. 10.



Fig. 11.

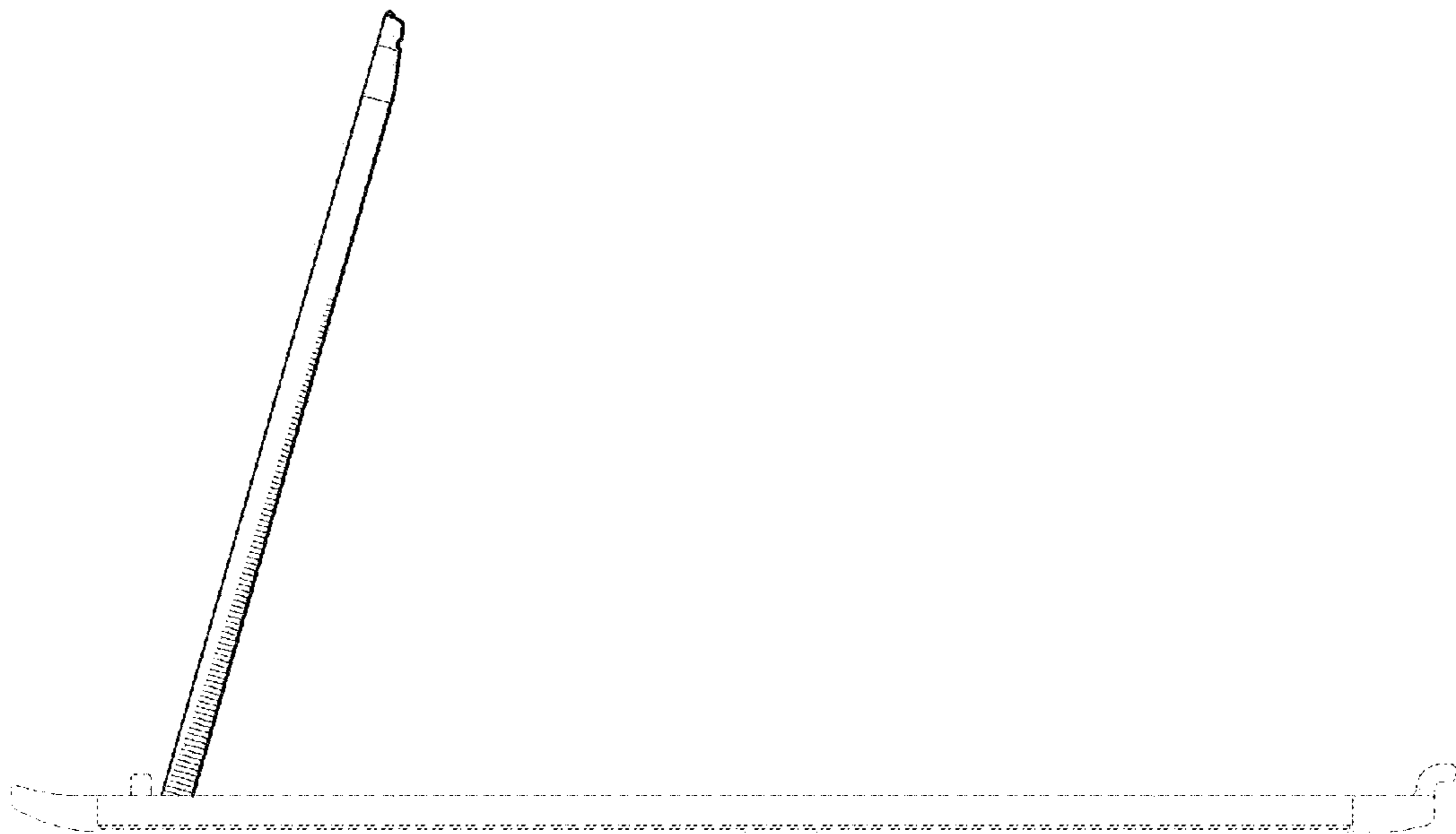


Fig. 12.

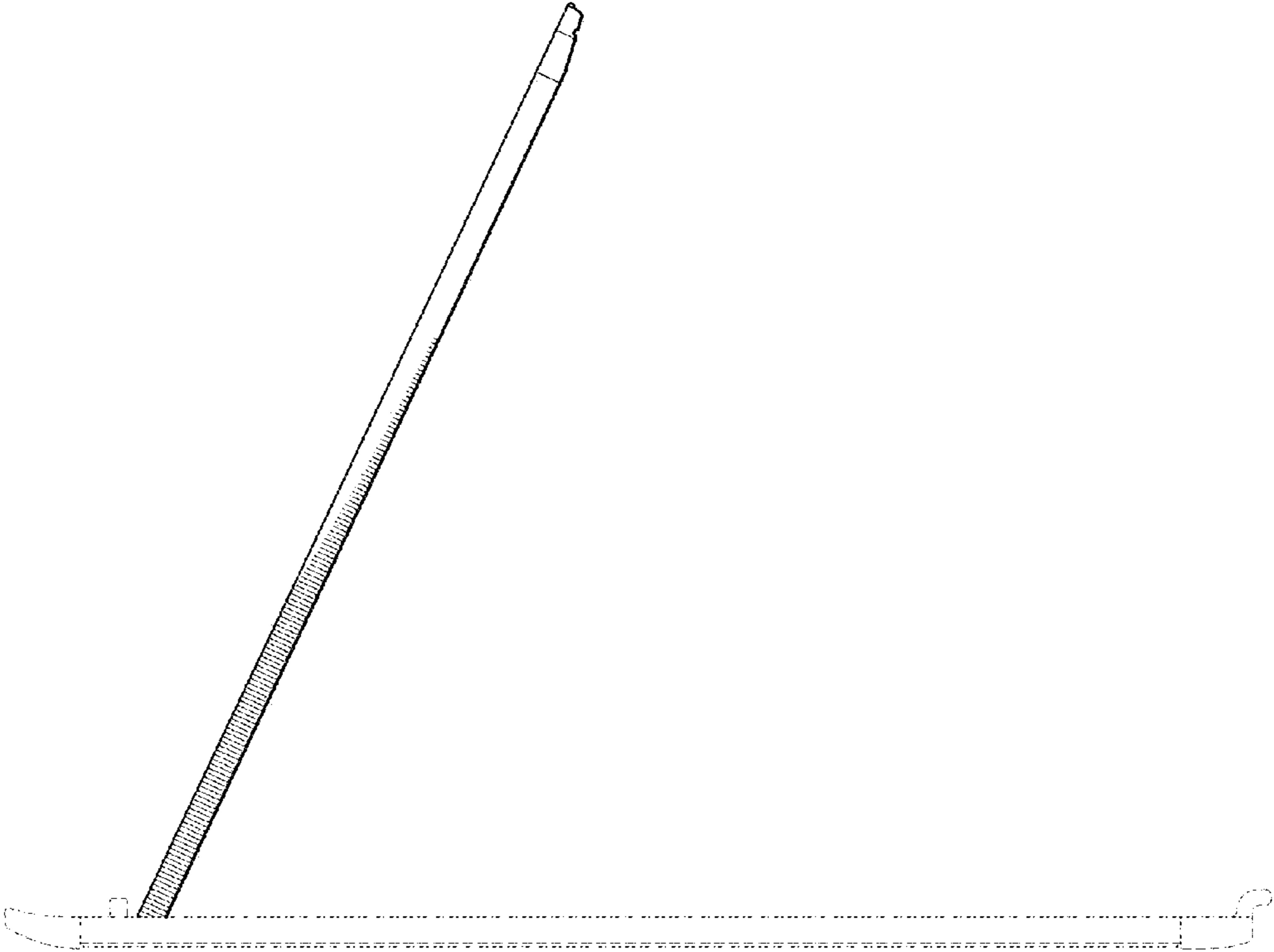


Fig. 13.

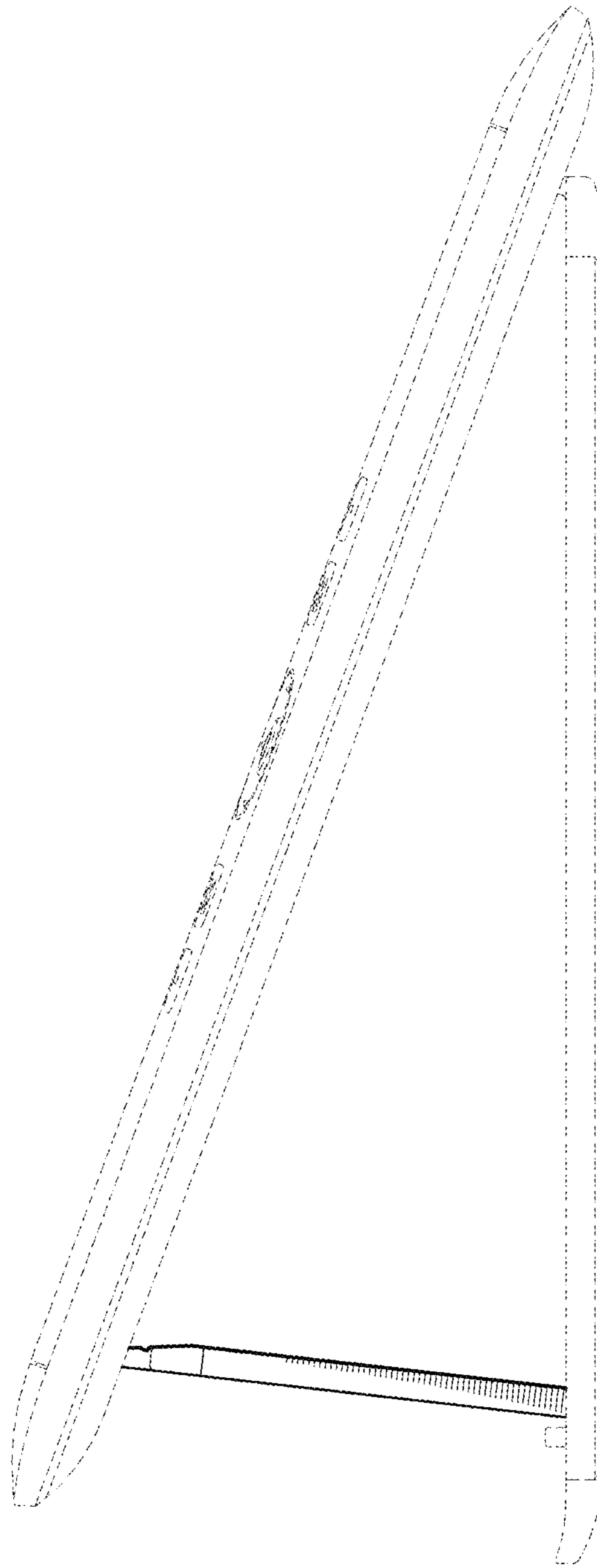


Fig. 14.

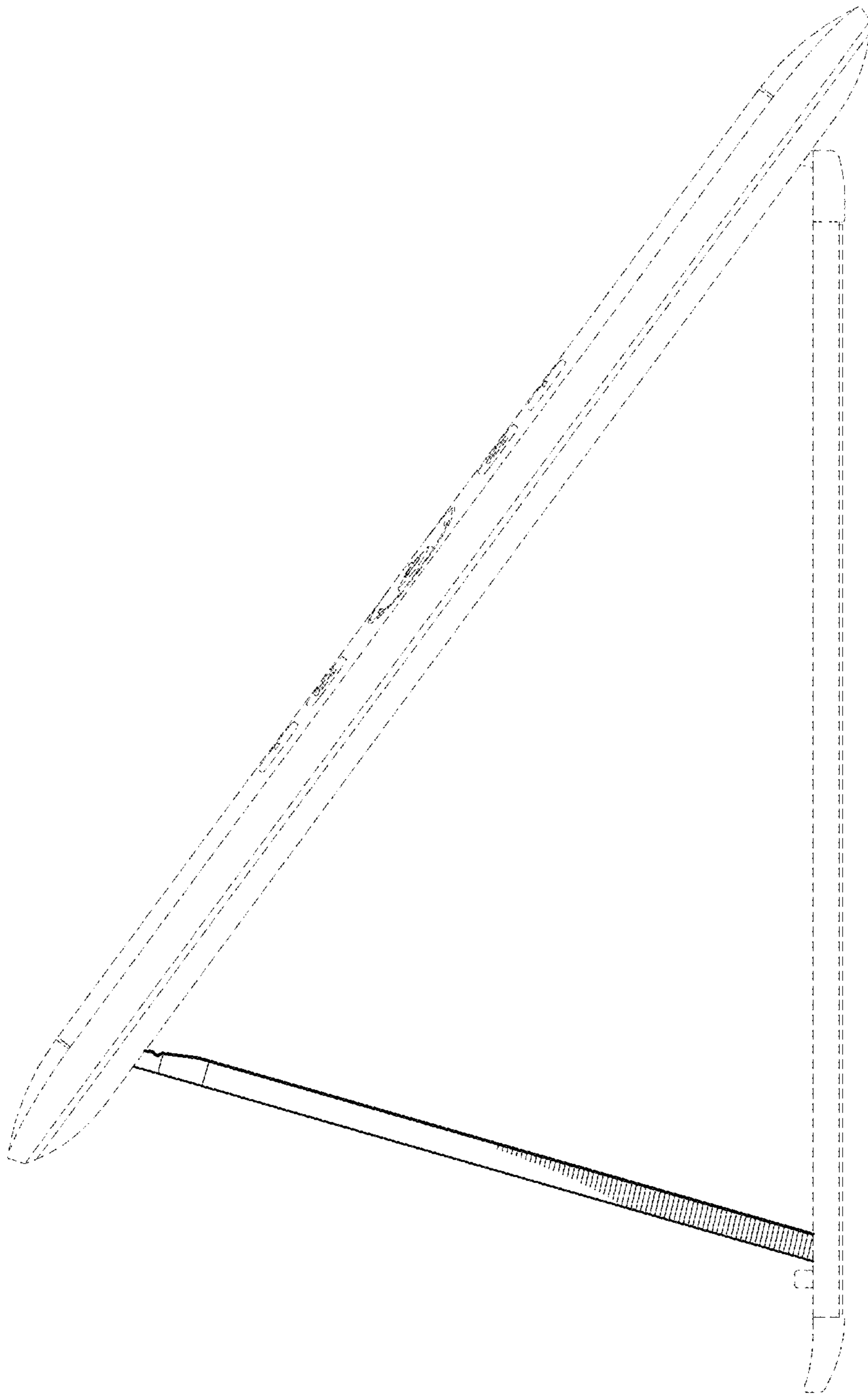


Fig. 15.

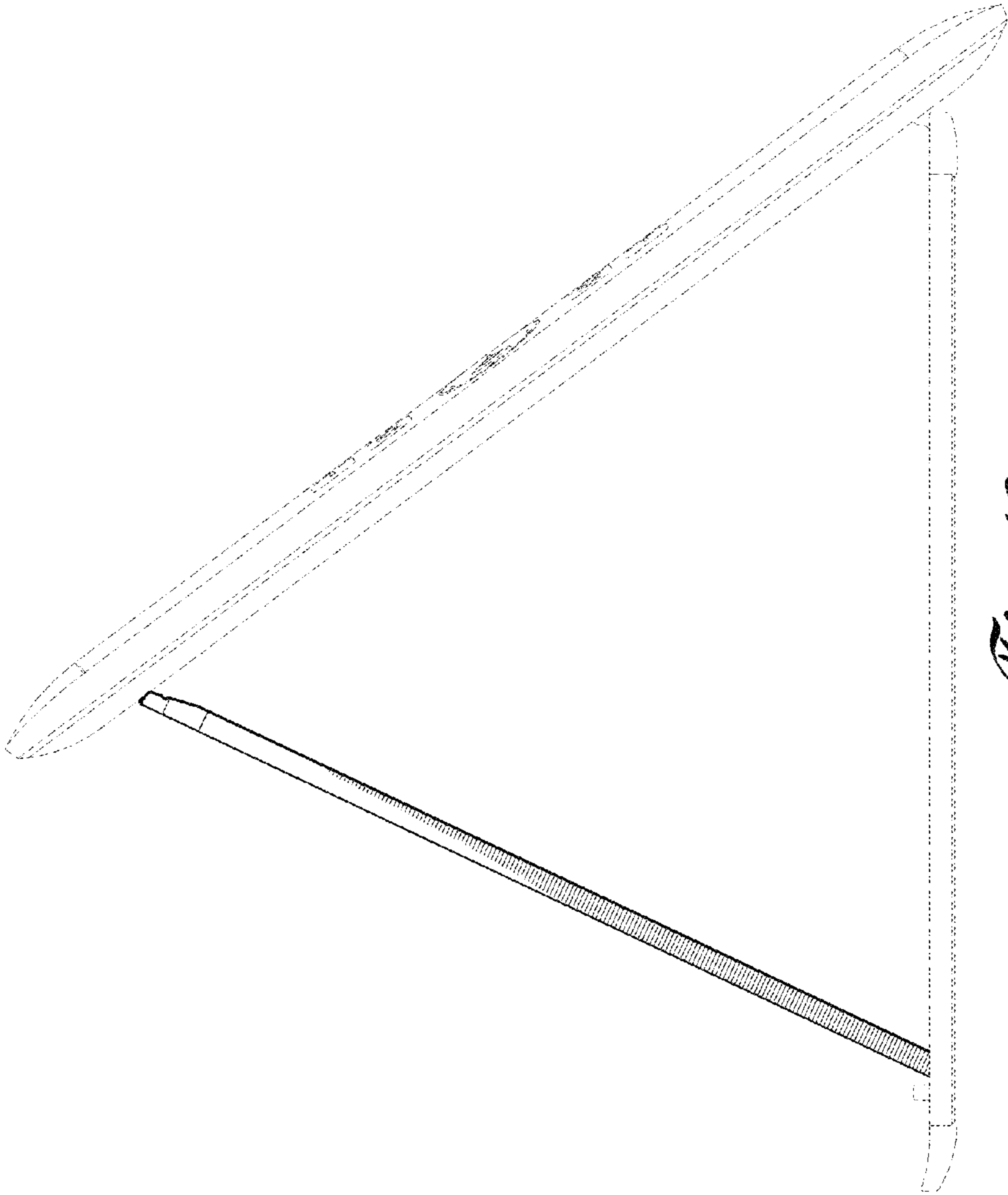


Fig. 16.