



US00D711878S

(12) **United States Design Patent**
Bellinghausen et al.

(10) **Patent No.:** **US D711,878 S**

(45) **Date of Patent:** **** Aug. 26, 2014**

(54) **CONTROLLER**

(71) Applicant: **Valve Corporation**, Bellevue, WA (US)

(72) Inventors: **Jeffrey Bellinghausen**, Bellevue, WA (US); **Claire Michelle Gottschalk**, Bellevue, WA (US); **Eric Hope**, Duvall, WA (US); **Jeffrey Keyzer**, Redmond, WA (US); **Amy Narae Kim**, New York, NY (US)

(73) Assignee: **Valve Corporation**, Bellevue, WA (US)

(**) Term: **14 Years**

(21) Appl. No.: **29/461,987**

(22) Filed: **Jul. 30, 2013**

(51) **LOC (10) Cl.** **14-03**

(52) **U.S. Cl.**
USPC **D14/401; D21/333**

(58) **Field of Classification Search**
CPC A63F 13/02; A63F 13/12; A63F 9/00;
A63F 11/00; A63F 71/00; G06F 3/033;
G09G 5/00
USPC D14/399-401, 412-418; D21/148 B;
463/1, 29-39, 46, 47; 345/156-161,
345/905

See application file for complete search history.

(56) **References Cited**

U.S. PATENT DOCUMENTS

D420,660	S	*	2/2000	Chen	D14/401
D478,590	S	*	8/2003	Hussaini et al.	D14/401
7,235,012	B2	*	6/2007	DiDato	463/38
D585,931	S	*	2/2009	Palmer	D18/7
7,762,553	B2	*	7/2010	Harris	273/148 B
D620,939	S	*	8/2010	Suetake et al.	D14/401
D638,016	S	*	5/2011	Ikeda	D14/401
8,205,220	B2	*	6/2012	Kim et al.	720/648
D685,434	S	*	7/2013	Ali et al.	D21/333
D694,830	S	*	12/2013	Crowley et al.	D21/333
8,628,085	B2	*	1/2014	Sternberg	273/148 B
D700,182	S	*	2/2014	Kidakarn	D14/401

* cited by examiner

Primary Examiner — Prabhakar Deshmukh

(74) *Attorney, Agent, or Firm* — Barcelo, Harrison & Walker LLP

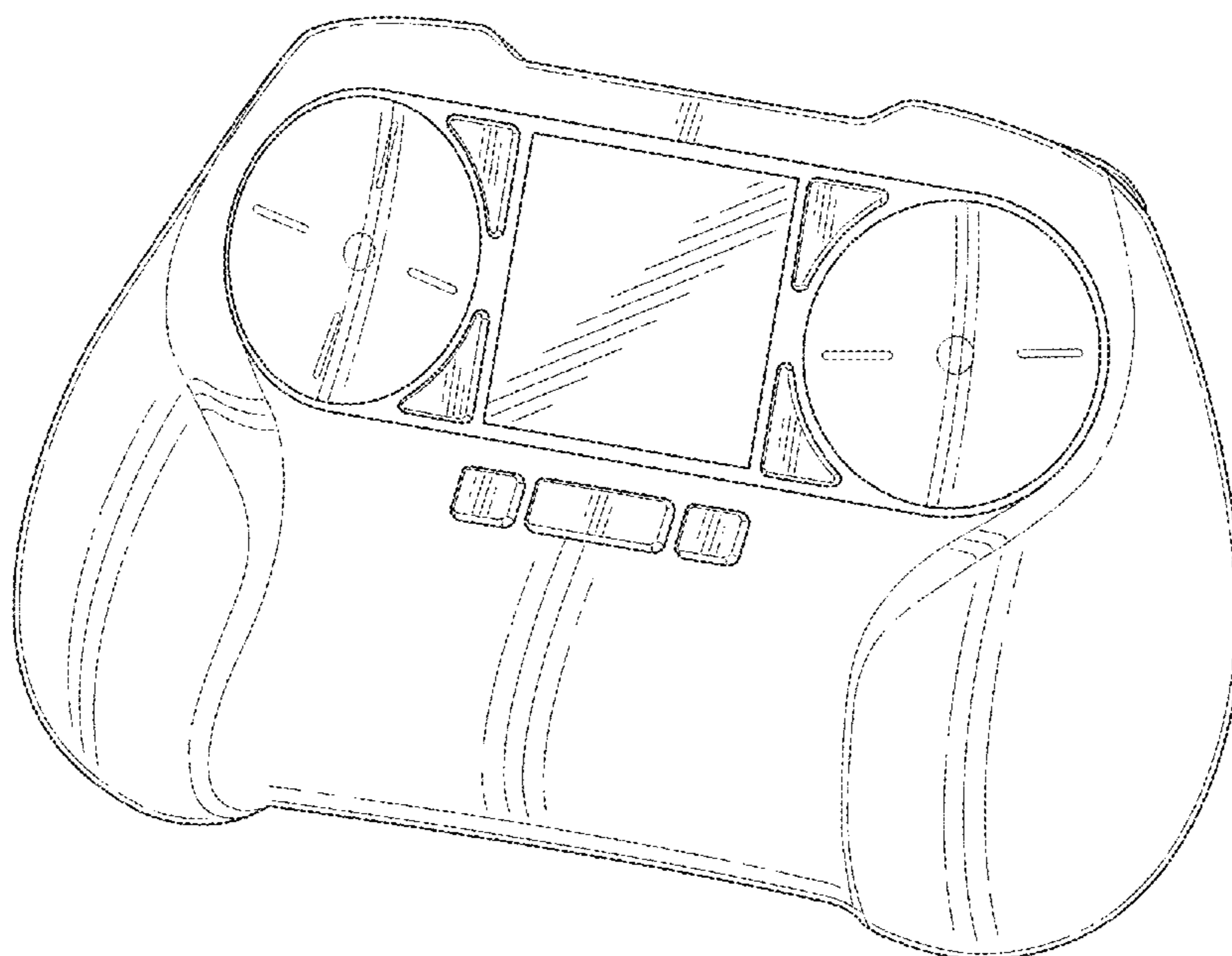
(57) **CLAIM**

The ornamental design for a controller, as shown and described.

DESCRIPTION

FIG. 1 is a perspective view of a controller showing our new design;
FIG. 2 is a front elevation thereof;
FIG. 3 is a rear elevation thereof;
FIG. 4 is a left side elevation thereof;
FIG. 5 is a right side elevation thereof;
FIG. 6 is a bottom plan view thereof; and,
FIG. 7 is a top plan view thereof.

1 Claim, 7 Drawing Sheets



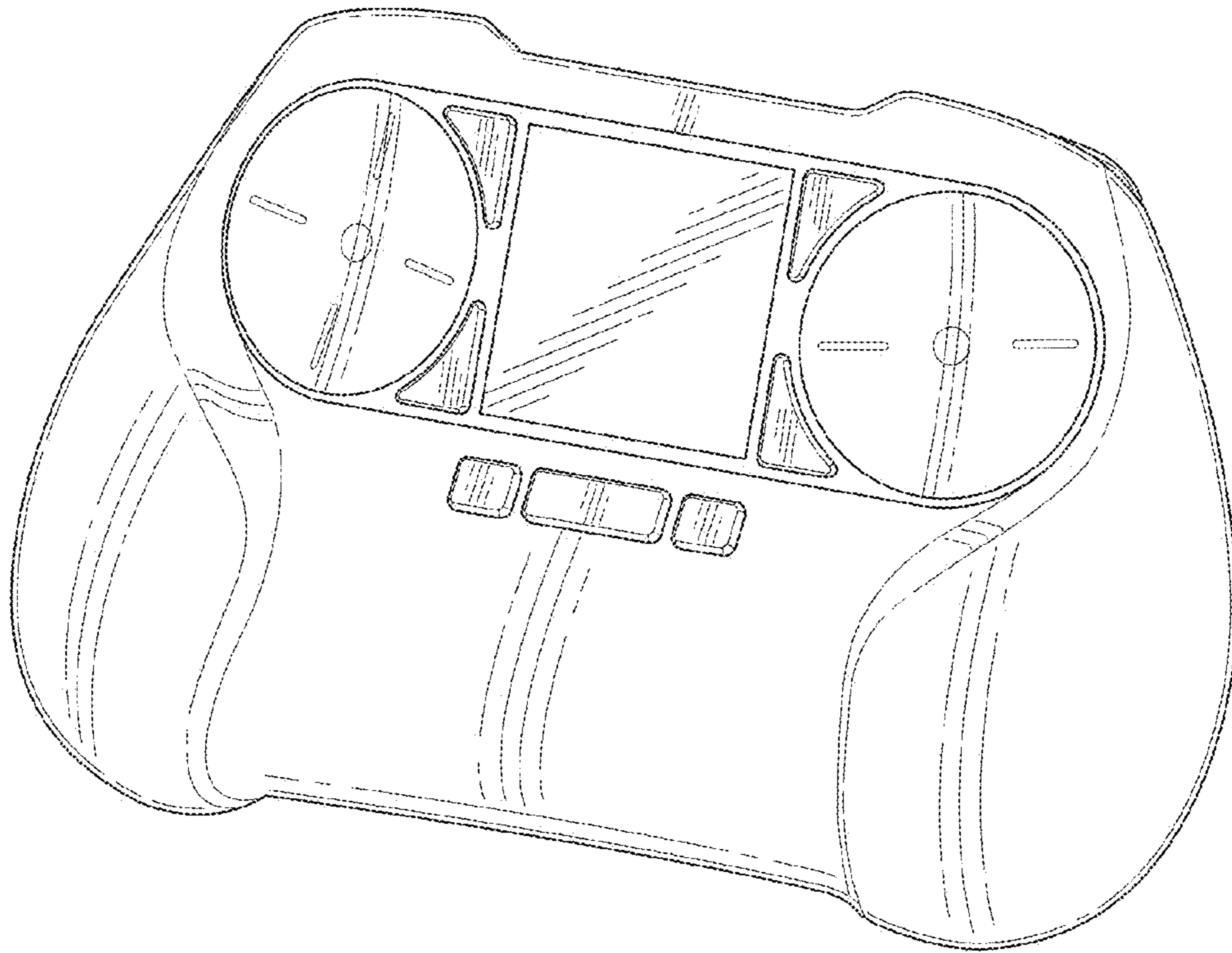


FIG. 1

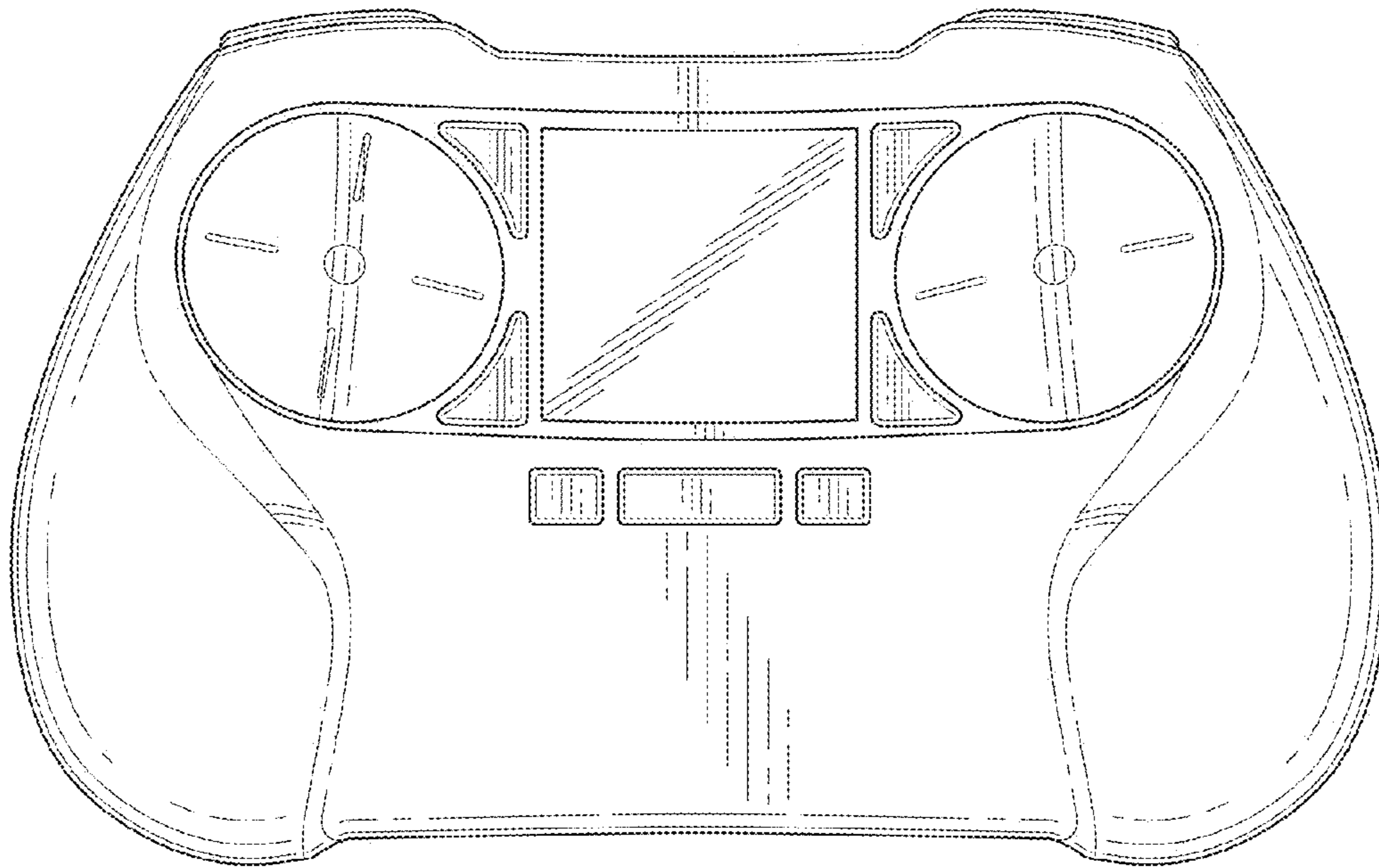


FIG. 2

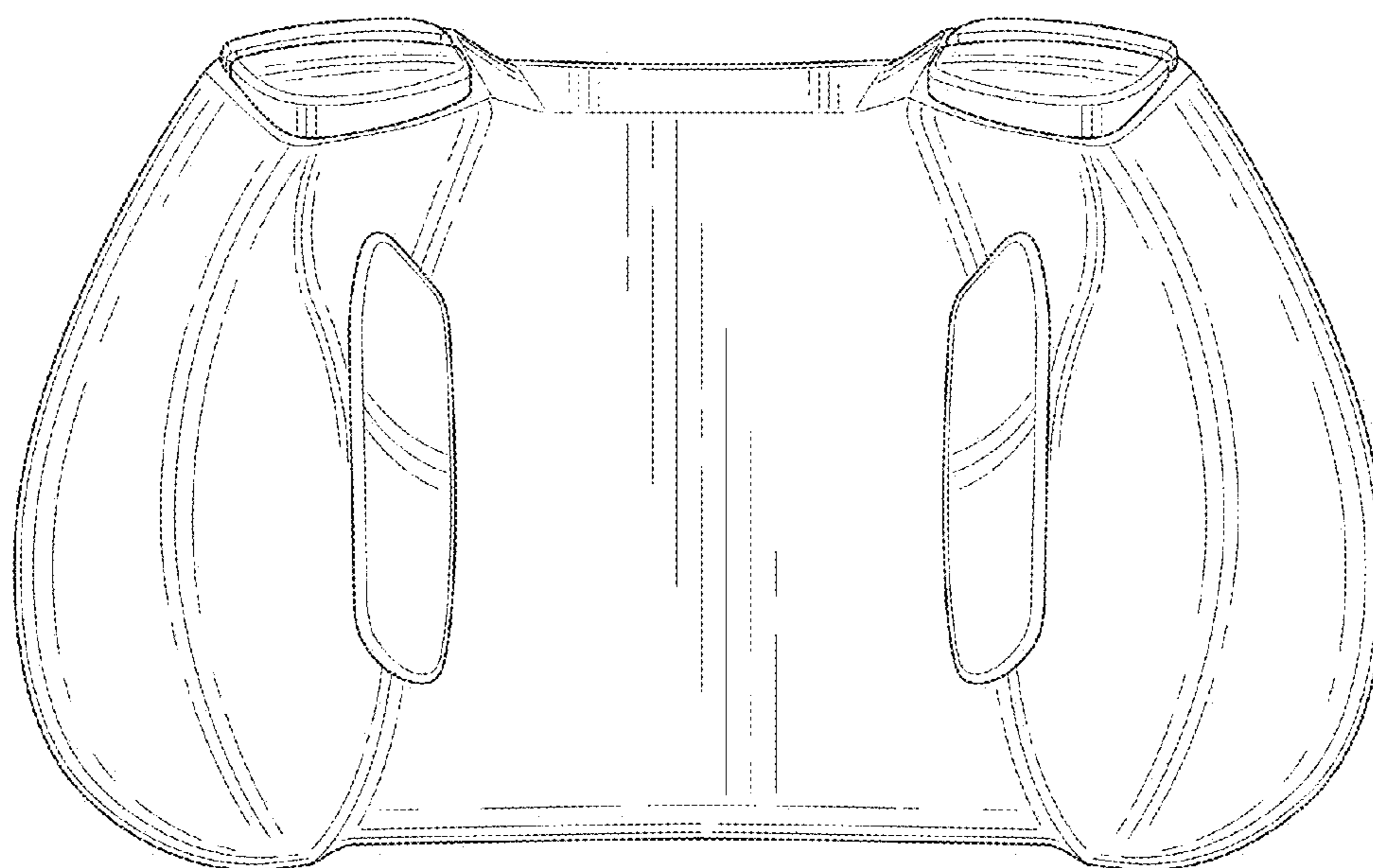


FIG. 3

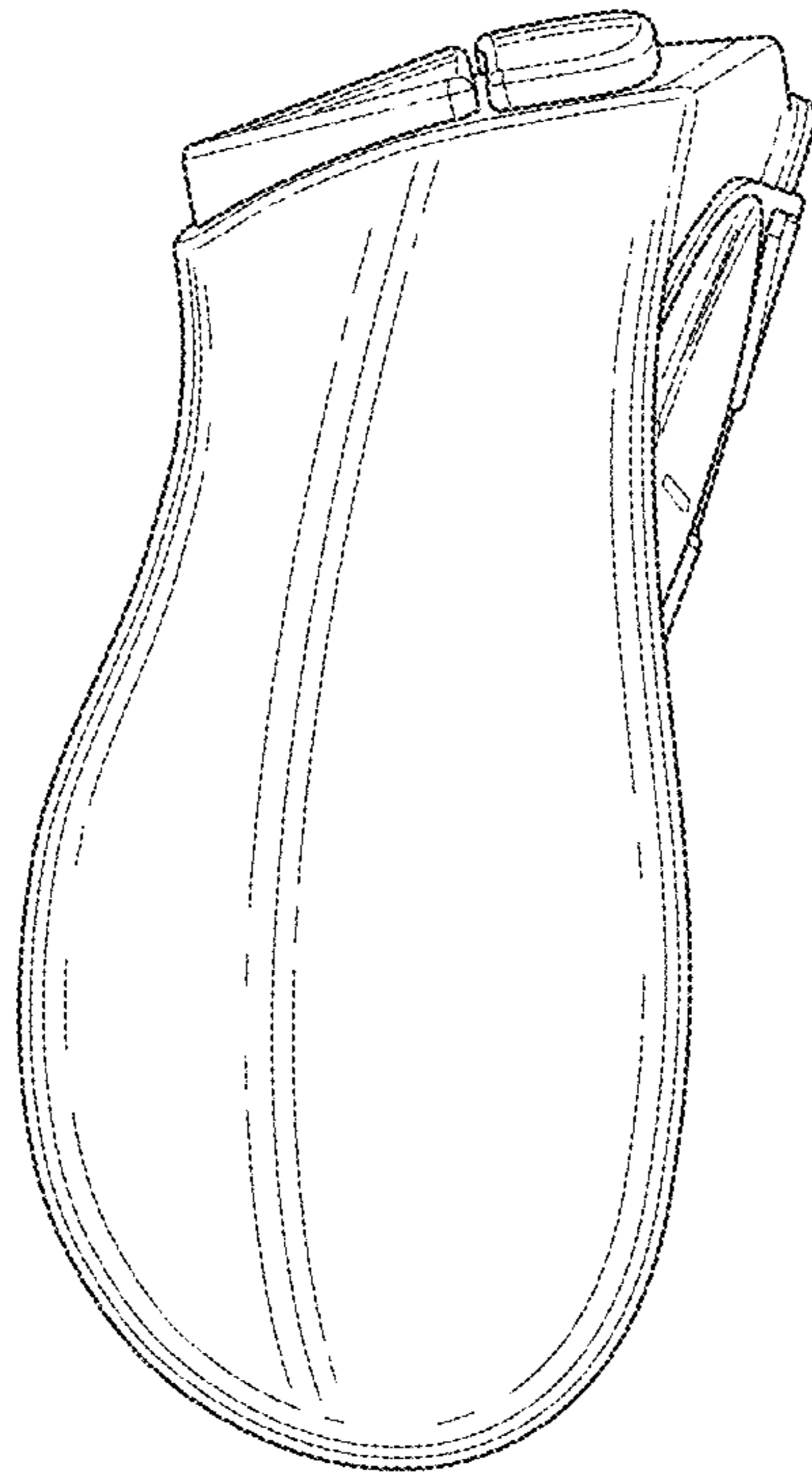


FIG. 4

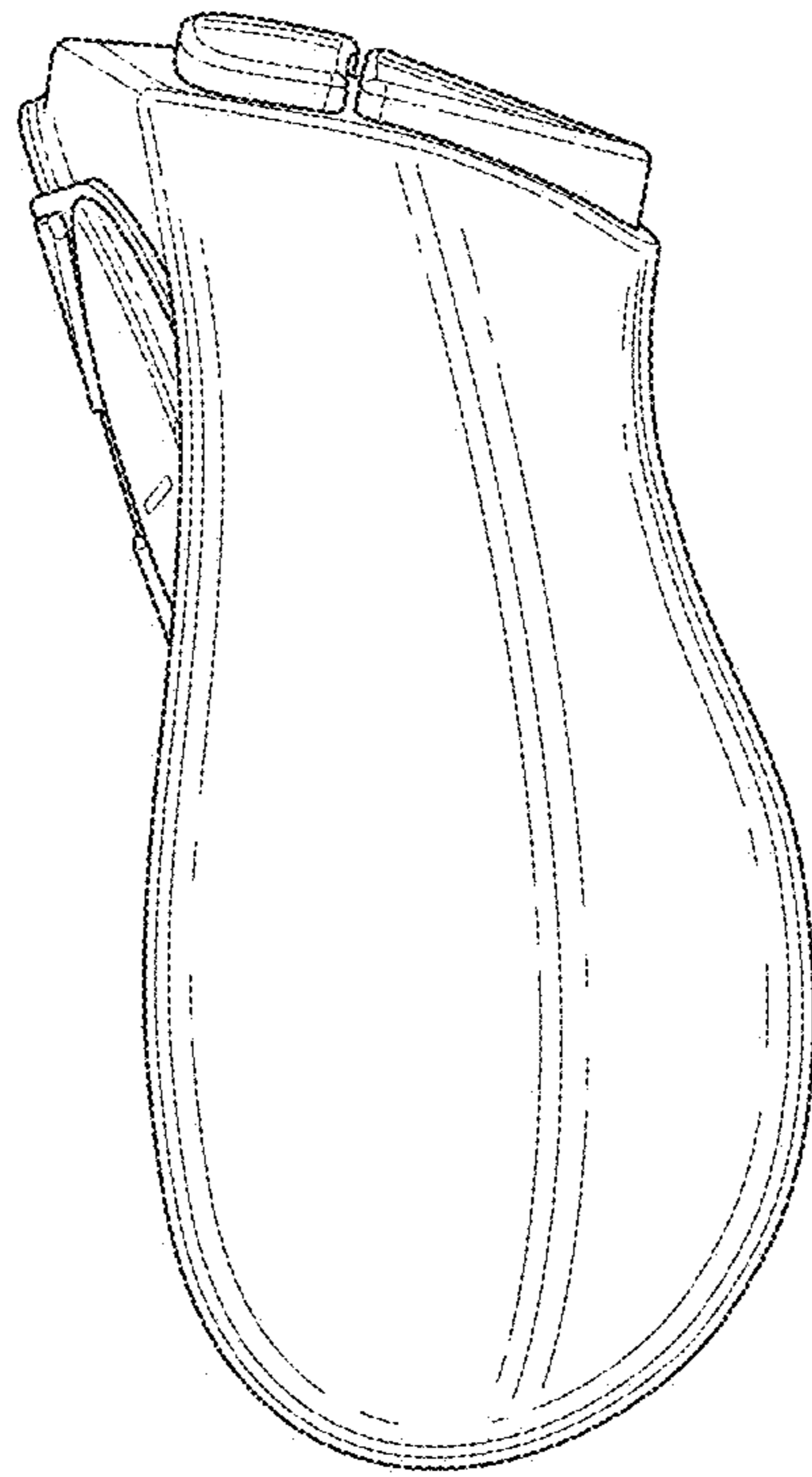


FIG. 5

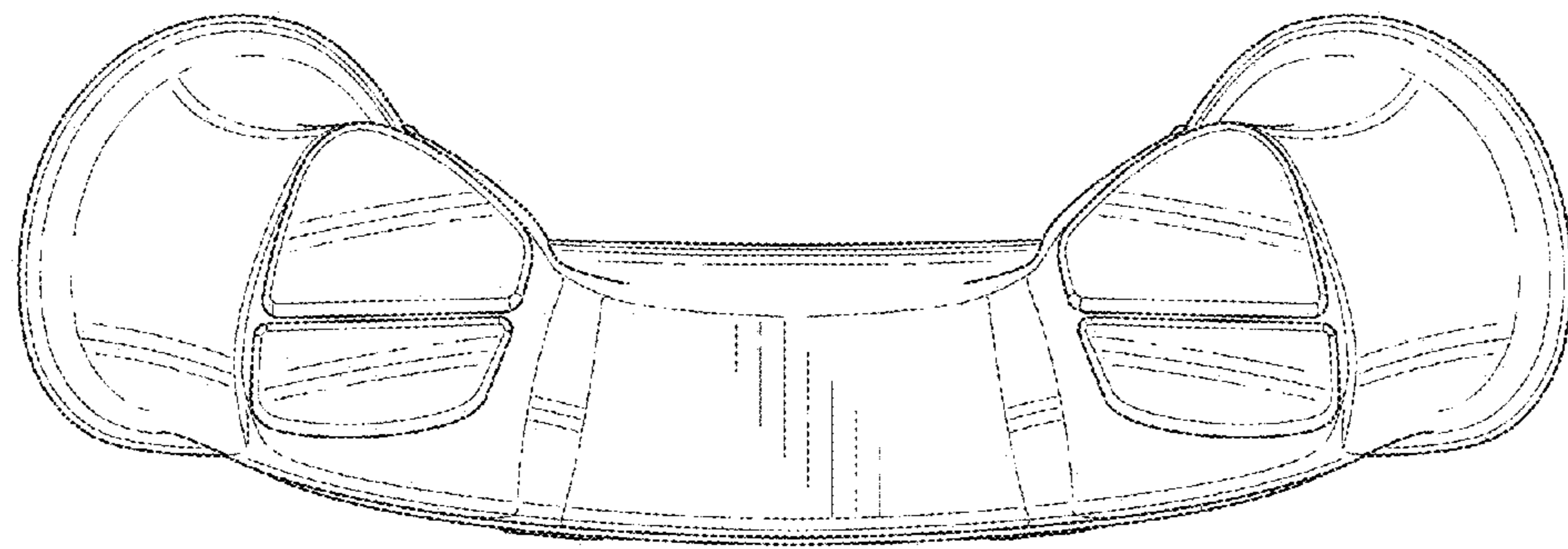


FIG. 6

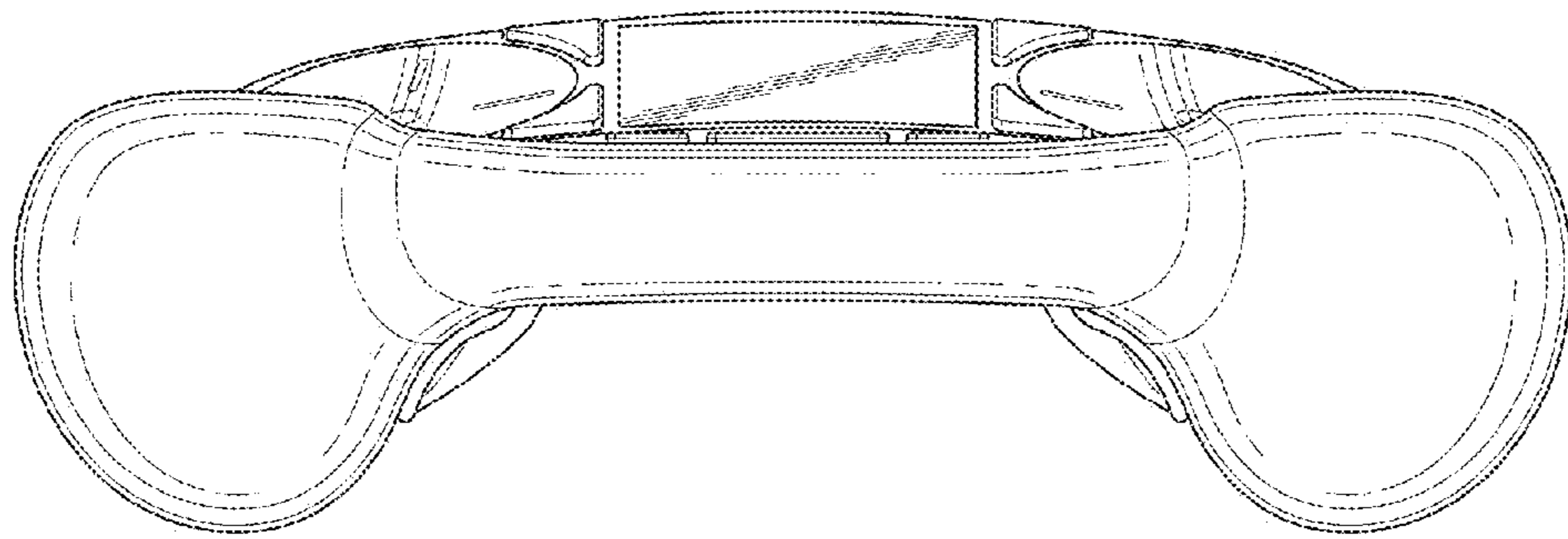


FIG. 7