

US00D711876S

(12) **United States Design Patent**
McWilliam et al.

(10) **Patent No.:** **US D711,876 S**

(45) **Date of Patent:** **** Aug. 26, 2014**

(54) **CARD READER**

(71) Applicant: **Amazon Technologies, Inc.**, Reno, NV (US)

(72) Inventors: **Giles D. McWilliam**, San Francisco, CA (US); **Christopher Green**, San Francisco, CA (US)

(73) Assignee: **Amazon Technologies, Inc.**, Reno, NV (US)

(**) Term: **14 Years**

(21) Appl. No.: **29/472,664**

(22) Filed: **Nov. 14, 2013**

Related U.S. Application Data

(63) Continuation of application No. 29/455,402, filed on May 20, 2013, now abandoned, which is a continuation of application No. 29/433,643, filed on Oct. 2, 2012, now abandoned.

(51) **LOC (10) Cl.** **14-02**

(52) **U.S. Cl.**
USPC **D14/385**

(58) **Field of Classification Search**

USPC D14/356–358, 383–385, 420, 426, 427, D14/432–439, 447, 453, 454, 217, 253, D14/299; D13/107, 108, 133, 146, 147, D13/152, 154, 156, 158, 162, 162.1, 168, D13/173, 177, 102; 235/441, 451, 492, 380, 235/439, 375; 361/679.31, 600, 679.01, 361/679.02

See application file for complete search history.

(56) **References Cited**

U.S. PATENT DOCUMENTS

D305,882 S 2/1990 Kato et al.
D319,825 S 9/1991 Andrew

D367,472 S 2/1996 Clark et al.
D370,011 S 5/1996 Lindeman
D386,479 S 11/1997 Lassmann et al.
D475,708 S 6/2003 Bergstrom
D504,429 S 4/2005 Muto
D515,545 S 2/2006 Griffin
D530,325 S 10/2006 Kerila et al.

(Continued)

OTHER PUBLICATIONS

U.S. Appl. No. 29/433,643, filed Oct. 2, 2012, Giles D. McWilliam et al., "Card Reader".

(Continued)

Primary Examiner — Austin Murphy

(74) *Attorney, Agent, or Firm* — Lee & Hayes, PLLC

(57) **CLAIM**

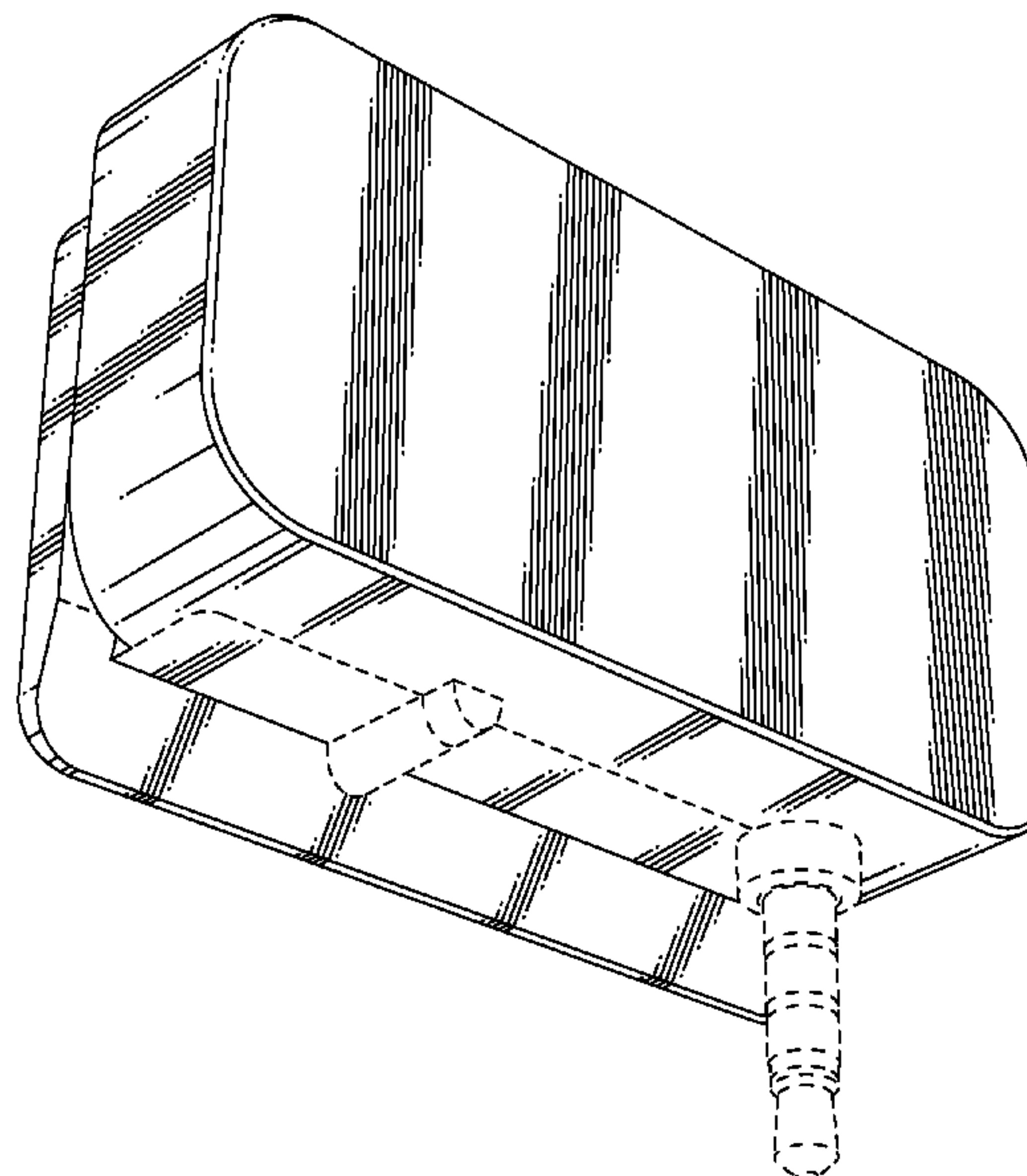
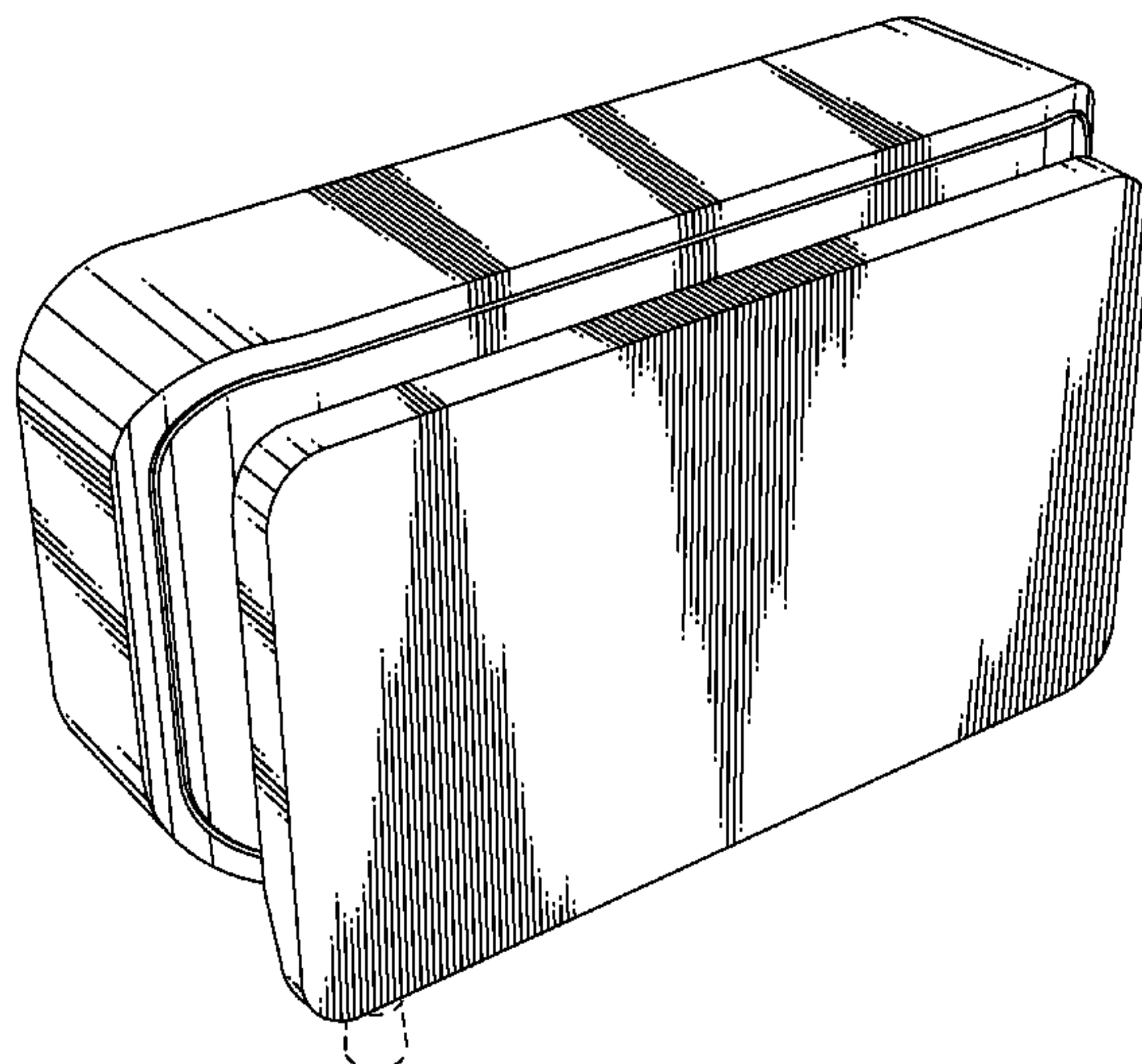
The ornamental design for a card reader, as shown and described.

DESCRIPTION

FIG. 1 is a perspective view of a card reader; FIG. 2 is another perspective view of the card reader of FIG. 1; FIG. 3 is a front elevation view of the card reader of FIG. 1; FIG. 4 is a top plan view of the card reader of FIG. 1; FIG. 5 is a back elevation view of the card reader of FIG. 1; FIG. 6 is bottom plan view of the card reader of FIG. 1; FIG. 7 is a right-side elevation view of the card reader of FIG. 1; and, FIG. 8 is a left-side elevation view of the card reader of FIG. 1.

The broken lines are directed to unclaimed portions and form no part of the claimed design.

1 Claim, 5 Drawing Sheets



(56)

References Cited

U.S. PATENT DOCUMENTS

D534,149	S	12/2006	Griffin	
D535,994	S	1/2007	Leibenguth	
D536,695	S	2/2007	Griffin	
D540,798	S	4/2007	Orthey	
D550,196	S	9/2007	Griffin et al.	
D558,765	S	1/2008	Fitler et al.	
D570,327	S	6/2008	Ikeda et al.	
D573,578	S	7/2008	Turksu et al.	
D574,365	S	8/2008	Andre et al.	
D578,991	S	10/2008	Donovan et al.	
D579,799	S *	11/2008	Barton et al.	D10/50
D580,935	S	11/2008	Leung et al.	
D586,813	S	2/2009	Colburn	
D592,661	S *	5/2009	Woo et al.	D14/358
D594,865	S	6/2009	Fahrendorff	
D604,254	S *	11/2009	Lanfear et al.	D13/162
D607,000	S *	12/2009	Cheng et al.	D14/485
D619,582	S	7/2010	Chen	
D641,023	S	7/2011	Chen et al.	
D659,396	S *	5/2012	Hsu	D3/294
D667,402	S	9/2012	Maus	
D669,473	S	10/2012	Gronau et al.	
D671,118	S	11/2012	Wesolek	
D673,975	S	1/2013	Akana et al.	
D676,047	S *	2/2013	White et al.	D14/385
D678,876	S	3/2013	Andre et al.	

OTHER PUBLICATIONS

Blackberry Mobile Credit Card Reader | Ternion Merchant Services Inc., retrieved on May 16, 2013, at <<<http://ternionprocessing.com/blackberry-mobile-credit-card-reader/>>> 4 pages.

Intuit GoPayment—iPhone credit card processing for mobile payments, retrieved on Oct. 3, 2012 at <<[http://intuit-gopayment.com/free?cid=ppc_bing_payments_intuit-brand_top-terms_us_pc_adc-s_intuit-card-reader-exact_intuit-card-reader&ef_id=UGtiEwAAS0WtCAZ-:20121002235442:s](http://intuit-gopayment.com/free?cid=ppc_bing_payments_intuit-brand_top-terms_us_pc_adc-s_intuit-card-reader-exact_intuit-card-reader&ef_id=UGtiEwAAS0WtCAZ-:20121002235442:s>>)>>, 1 page.

PayAnywhere, Credit Card Reader iPhone, Android, iPad—PayAnywhere Processing, retrieved on May 16, 2013 at <<<http://www.payanywhere.com/>>> 3 pages.

PayPal Here: Credit Card Reader | Mobile Credit Card Processing, retrieved on May 16, 2013, at <<<https://www.paypal.com/webapps/mpp/credit-card-reader>>> 1 page.

PayPal, Get paid anywhere, retrieved on Oct. 3, 2012 at <<<https://www.paypal.com/ca/webapps/mpp/credit-card-reader>>>, 2 pages.

PAYware Mobile Enterprise, retrieved on Oct. 3, 2012 at <<<http://www.verifone.com/products/hardware/mobile/payware-mobile-enterprise>>>, 2 pages.

Square card reader, retrieved on Oct. 3, 2012 @ <<<https://squareup.com/card-reader>>>, 3 pages.

Square Helper, The Helper for Square, retrieved Nov. 10, 2013 at <<<http://www.squarehelper.com/purchase-now>>> 2 pages.

Design U.S. Appl. No. 29/433,643, filed Oct. 2, 2012, Giles D. McWilliam et al., “Card Reader”.

3.5mm Audio Jack Credit Card Reader for iPhone (SC477), retrieved on May 16, 2013 at <<<http://www.made-in-china.com/showroom/smartcontrol/product-detailoKPNExlYjQcT/China-3-5mm-Audio-Jack-Credit-Card-Reader-for-iPhone-SC477-.html>>> 2 pages.

Blackberry Mobile Credit Card Reader | Ternion Merchant Services Inc., retrieved on May 16, 2013, at <<<http://ternionprocessing.com/blackberry-mobile-credit-card-reader/>>> 4 pages .

Intuit GoPayment—iPhone credit card processing for mobile payments, retrieved on Oct. 3, 2012 at <<[http://intuit-gopayment.com/free?cid=ppc_bing_payments_intuit-brand_top-terms_us_pc_adc-s_intuit-card-reader-exact_intuitcard-reader&ef_id=UGtiEwAAS0WtCAZ-:20121002235442:s](http://intuit-gopayment.com/free?cid=ppc_bing_payments_intuit-brand_top-terms_us_pc_adc-s_intuit-card-reader-exact_intuitcard-reader&ef_id=UGtiEwAAS0WtCAZ-:20121002235442:s>>)>>, 1 page.

* cited by examiner

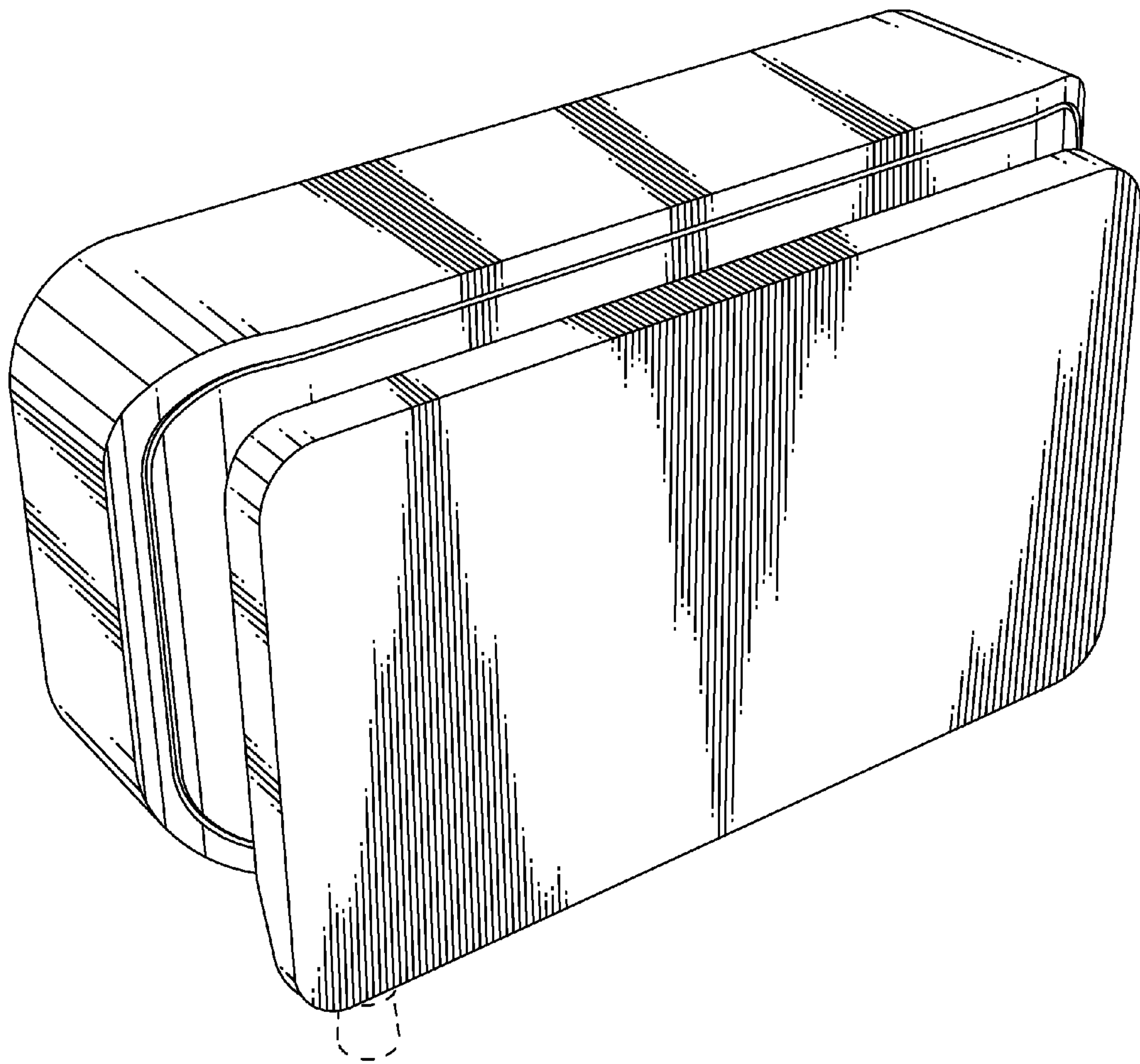


FIG. 1

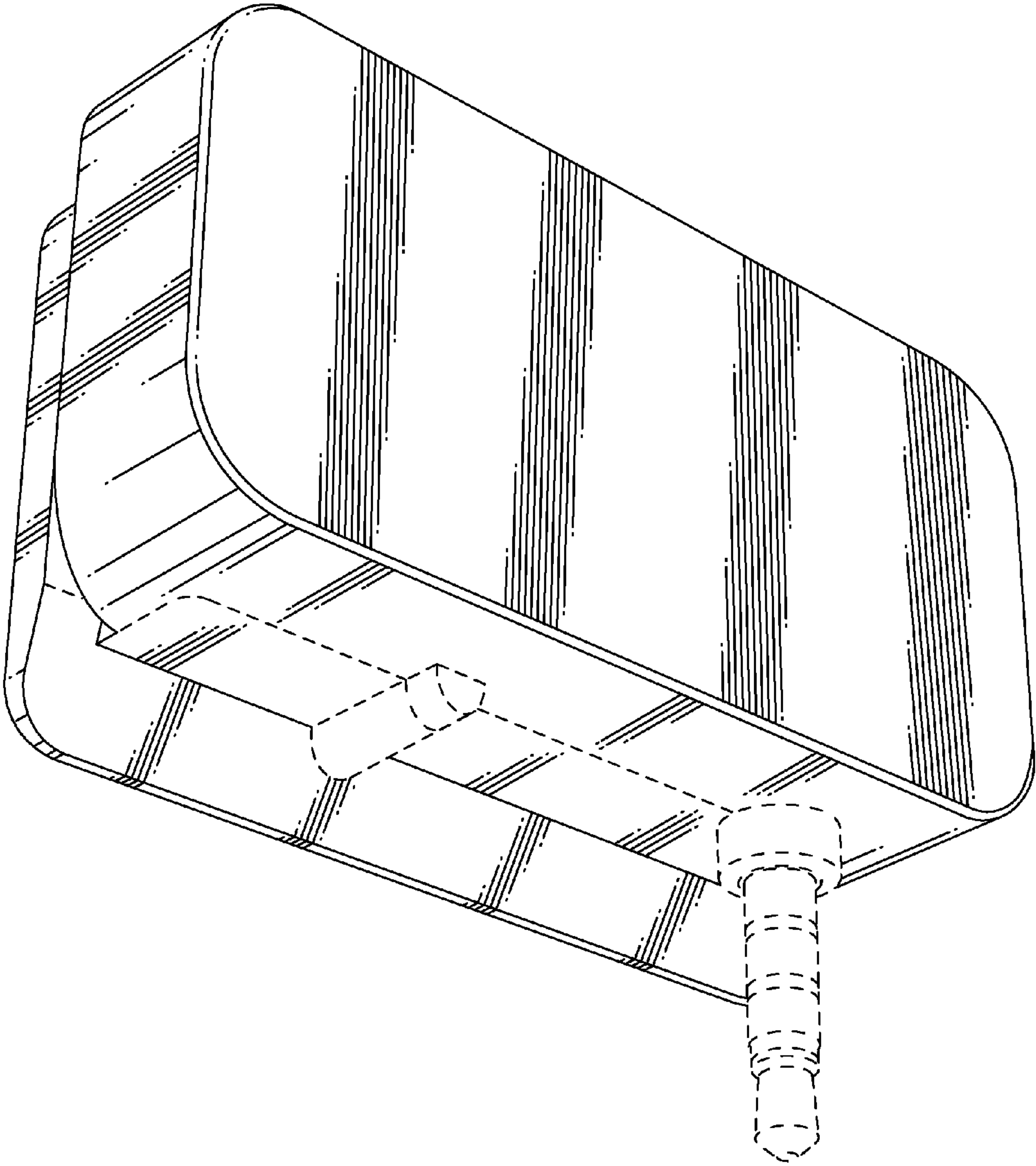
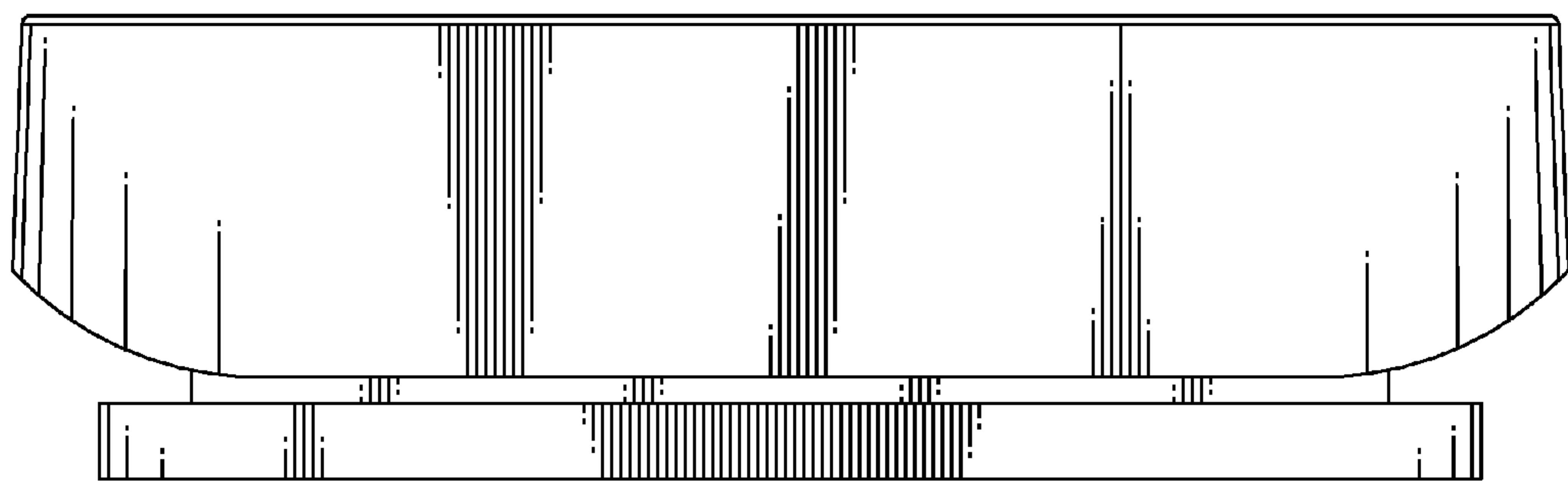
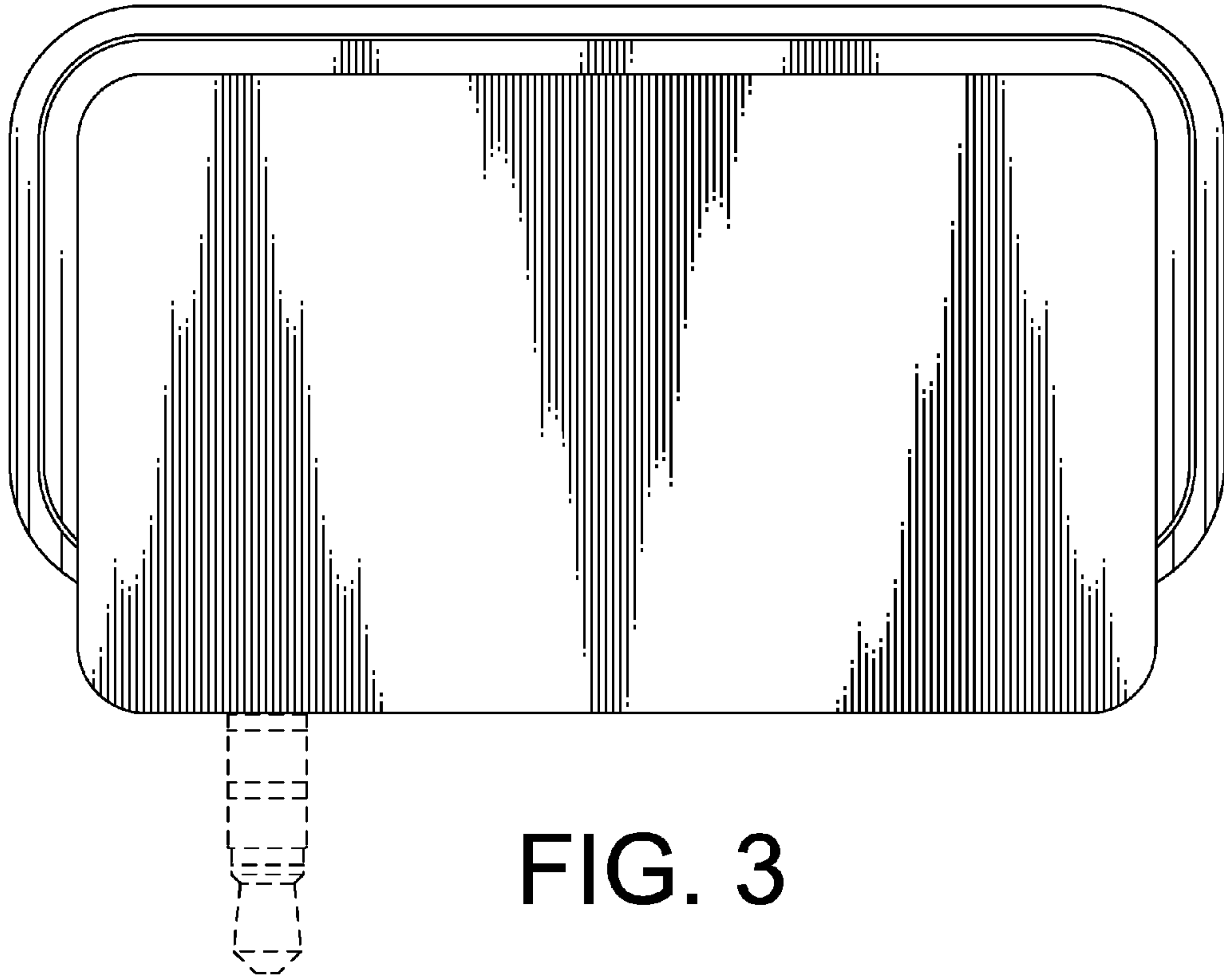


FIG. 2



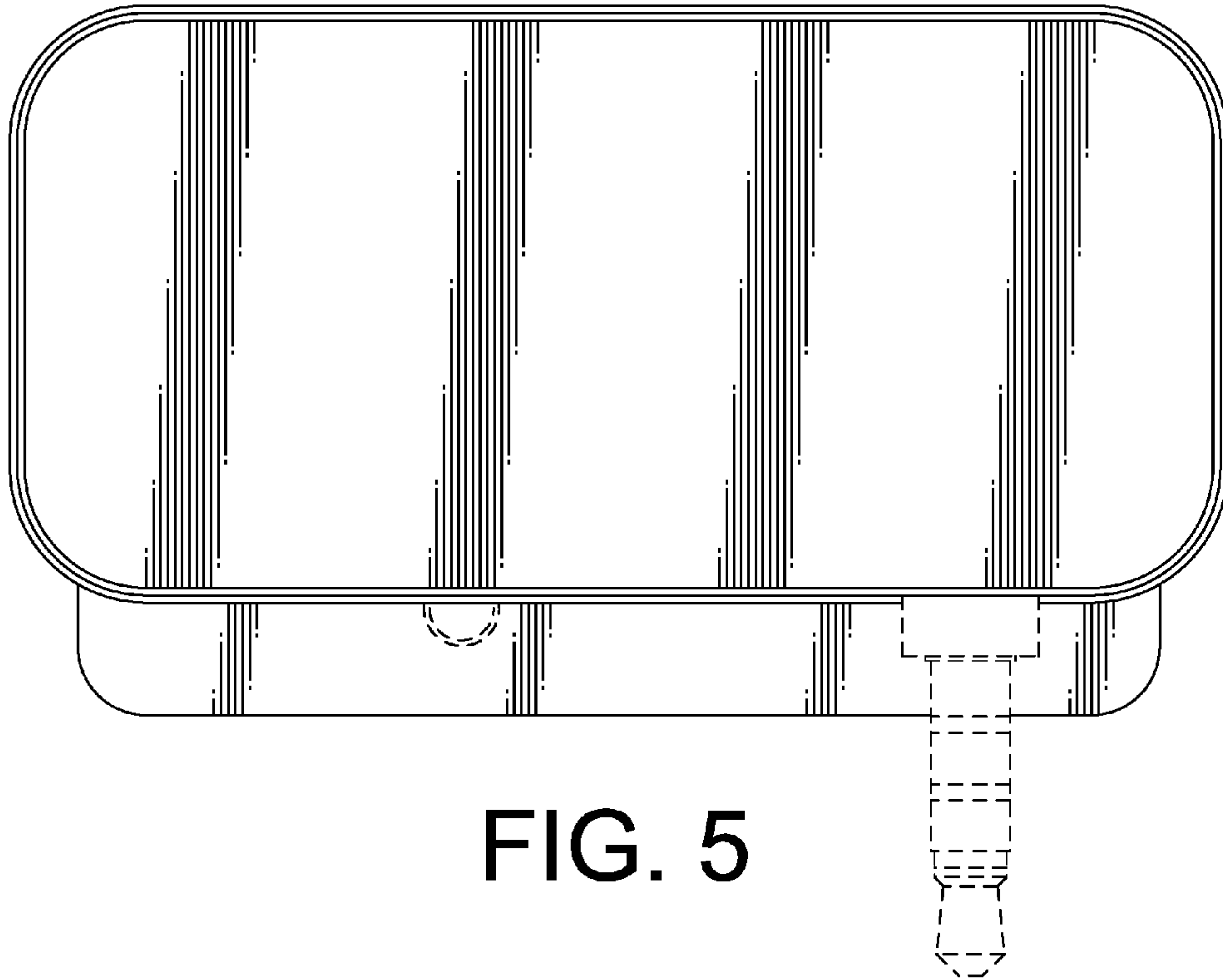


FIG. 5

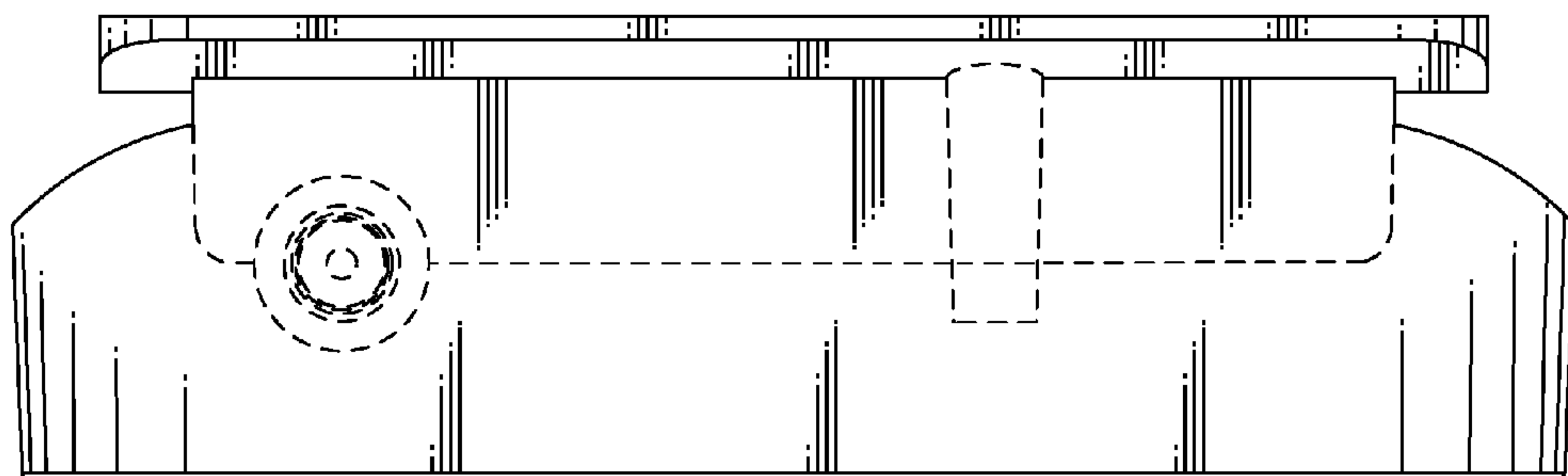


FIG. 6

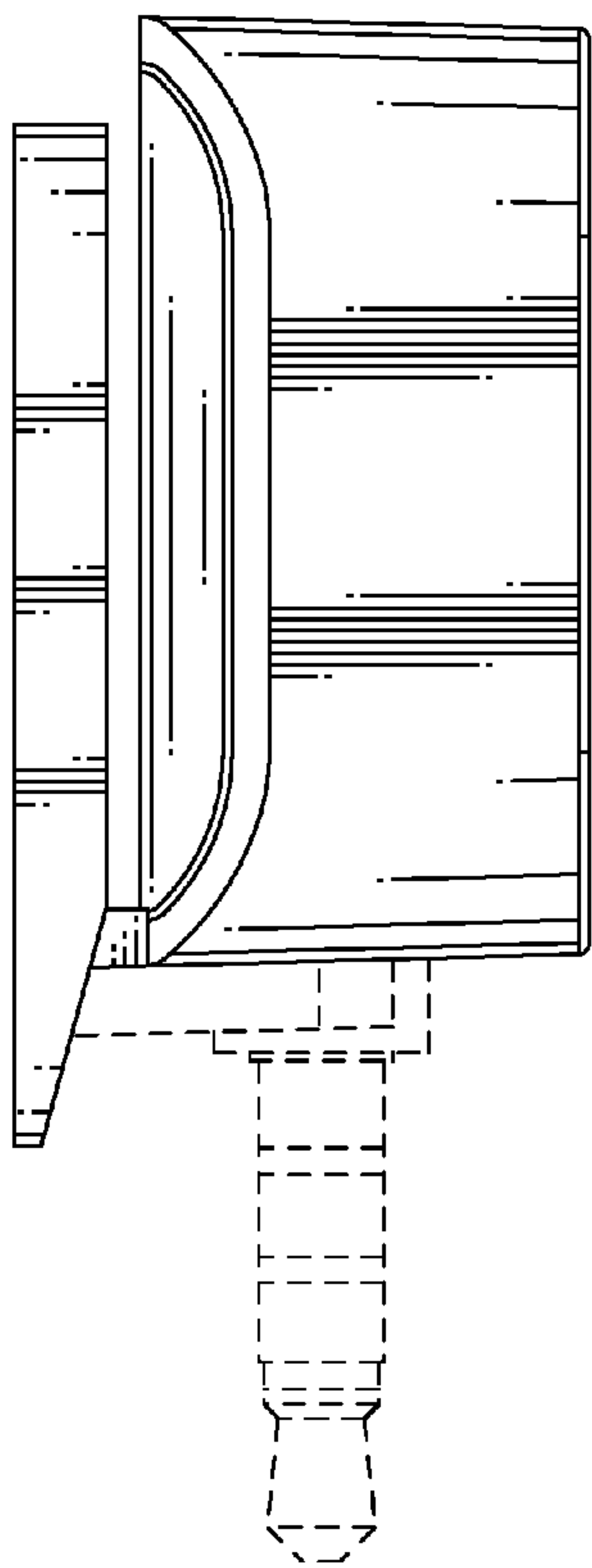


FIG. 7

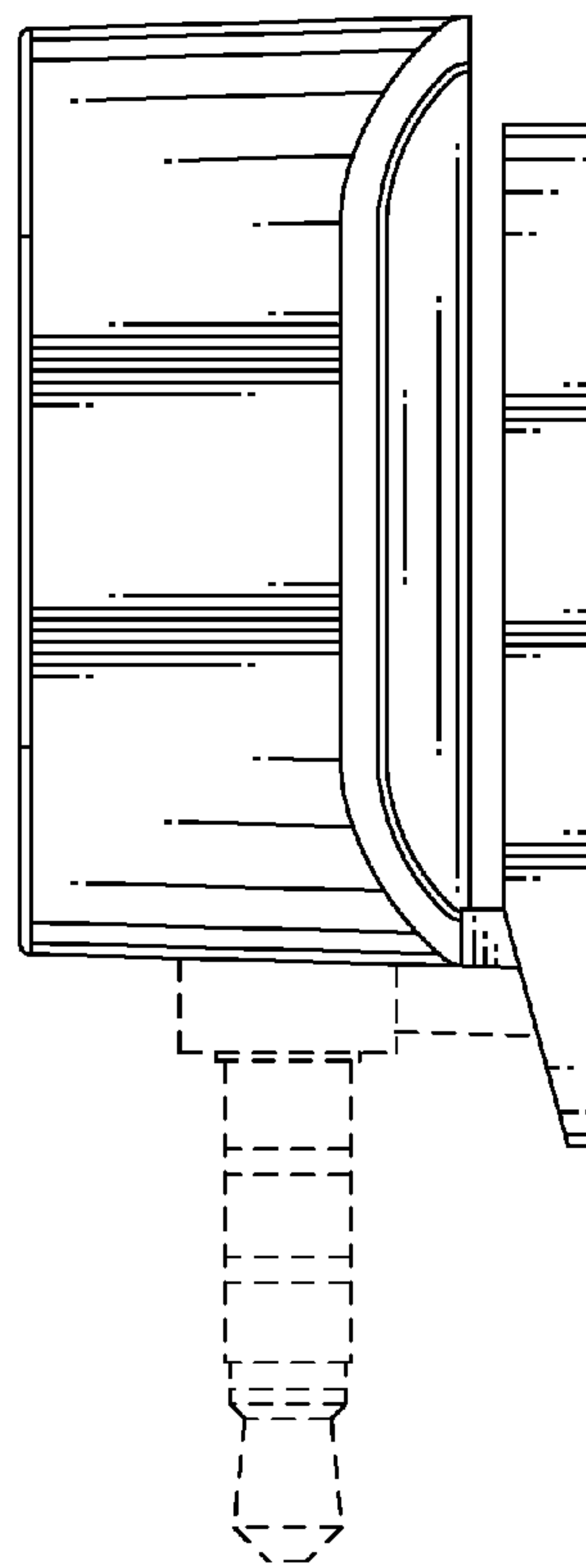


FIG. 8