



US00D711875S

(12) **United States Design Patent**
Daniel

(10) **Patent No.:** **US D711,875 S**

(45) **Date of Patent:** **** Aug. 26, 2014**

(54) **CARD READER DEVICE WITH KEY LOCKING MECHANISM AND IMAGE CAPTURING MEANS**

(71) Applicant: **Isaac S. Daniel**, Miramar, FL (US)

(72) Inventor: **Isaac S. Daniel**, Miramar, FL (US)

(**) Term: **14 Years**

(21) Appl. No.: **29/460,430**

(22) Filed: **Jul. 10, 2013**

(51) **LOC (10) Cl.** **14-02**

(52) **U.S. Cl.**
USPC **D14/385**

(58) **Field of Classification Search**
USPC D14/356-358, 383-385, 420, 426, 427, D14/432-439, 447, 453, 454, 217, 253, D14/299; D13/107, 108, 133, 146, 147, D13/152, 154, 156, 158, 162, 162.1, 168, D13/173, 177, 102; 235/441, 451, 492, 380, 235/439, 375; 361/679.31, 600, 679.01, 361/679.02

See application file for complete search history.

(56) **References Cited**

U.S. PATENT DOCUMENTS

D351,152 S	*	10/1994	Liu	D14/385
D385,903 S	*	11/1997	Kim	D18/4.4
D426,238 S	*	6/2000	Liu	D14/385
D477,322 S	*	7/2003	Chien	D14/385
D480,725 S	*	10/2003	Funato	D14/383

D524,541 S	*	7/2006	Cauley	D3/295
D585,056 S	*	1/2009	Ekelund	D14/336
D608,362 S	*	1/2010	Barron et al.	D14/424
D624,915 S	*	10/2010	Ferreira Sanchez	D14/385
D659,396 S	*	5/2012	Hsu	D3/294
D668,251 S	*	10/2012	Morrell	D14/383
D669,473 S	*	10/2012	Gronau et al.	D14/420
D676,446 S	*	2/2013	McQueen et al.	D14/421
D700,606 S	*	3/2014	Lo	D14/385
D701,860 S	*	4/2014	Daniel	D14/385

* cited by examiner

Primary Examiner — Austin Murphy

(74) *Attorney, Agent, or Firm* — Carol N. Green, Esq.

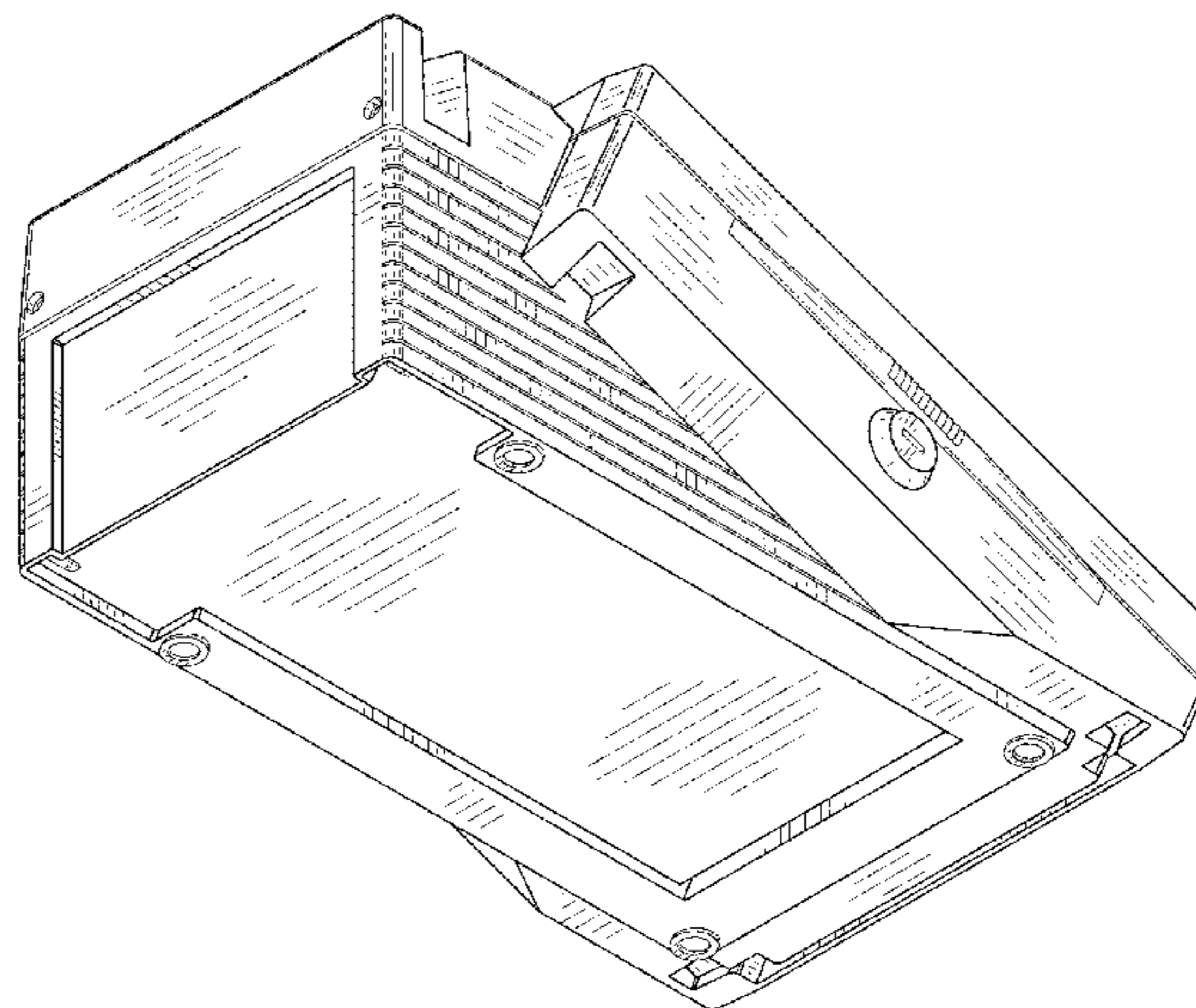
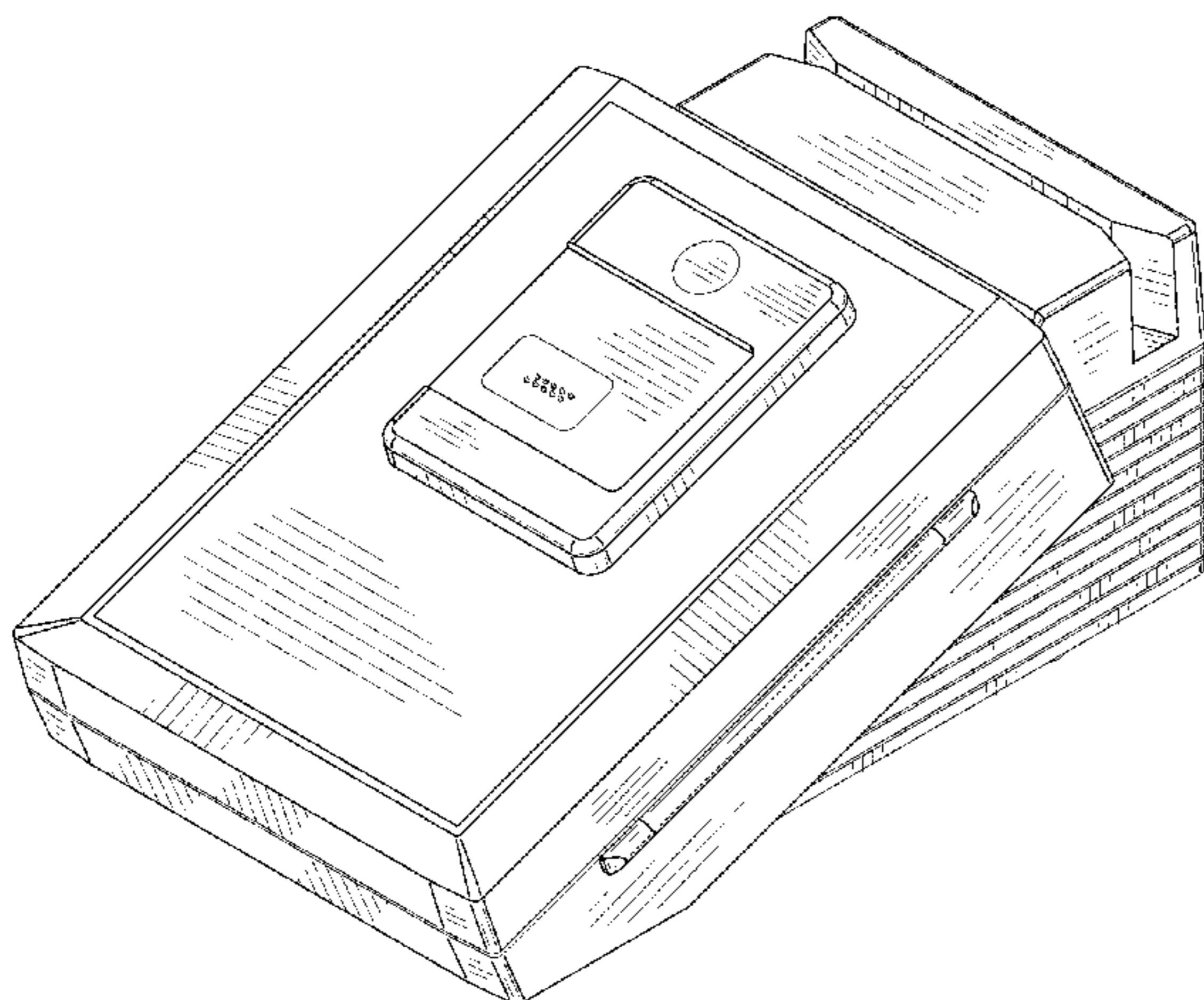
(57) **CLAIM**

The ornamental design for a card reader device with key locking mechanism and image capturing means, as shown and described.

DESCRIPTION

FIG. 1 is a top perspective view of the invention.
 FIG. 2 is a bottom perspective view of the invention.
 FIG. 3 is a top plan view of the invention.
 FIG. 4 is a bottom plan view of the invention.
 FIG. 5 is a left side view of the invention.
 FIG. 6 is a right side view of the invention.
 FIG. 7 is a top front perspective view of the invention.
 FIG. 8 is a bottom perspective view of the invention; and,
 FIG. 9 is a front view of the invention in use.
 The broken lines in FIG. 9 depict the card reader device with key locking mechanism and image capturing means in use with an electronic card and a key inserted into the locking mechanism forming no part of the claimed design.

1 Claim, 8 Drawing Sheets



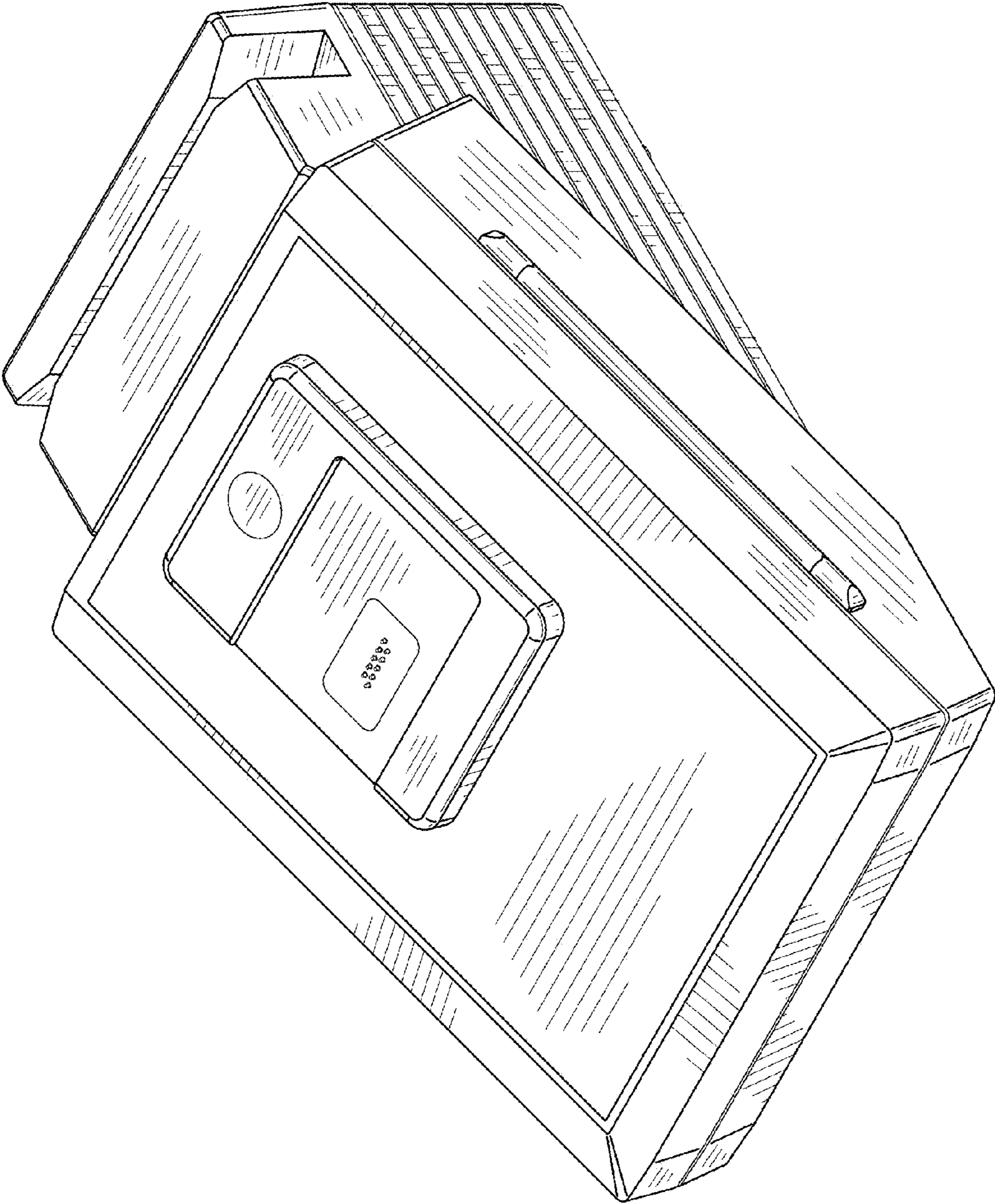


FIG. 1

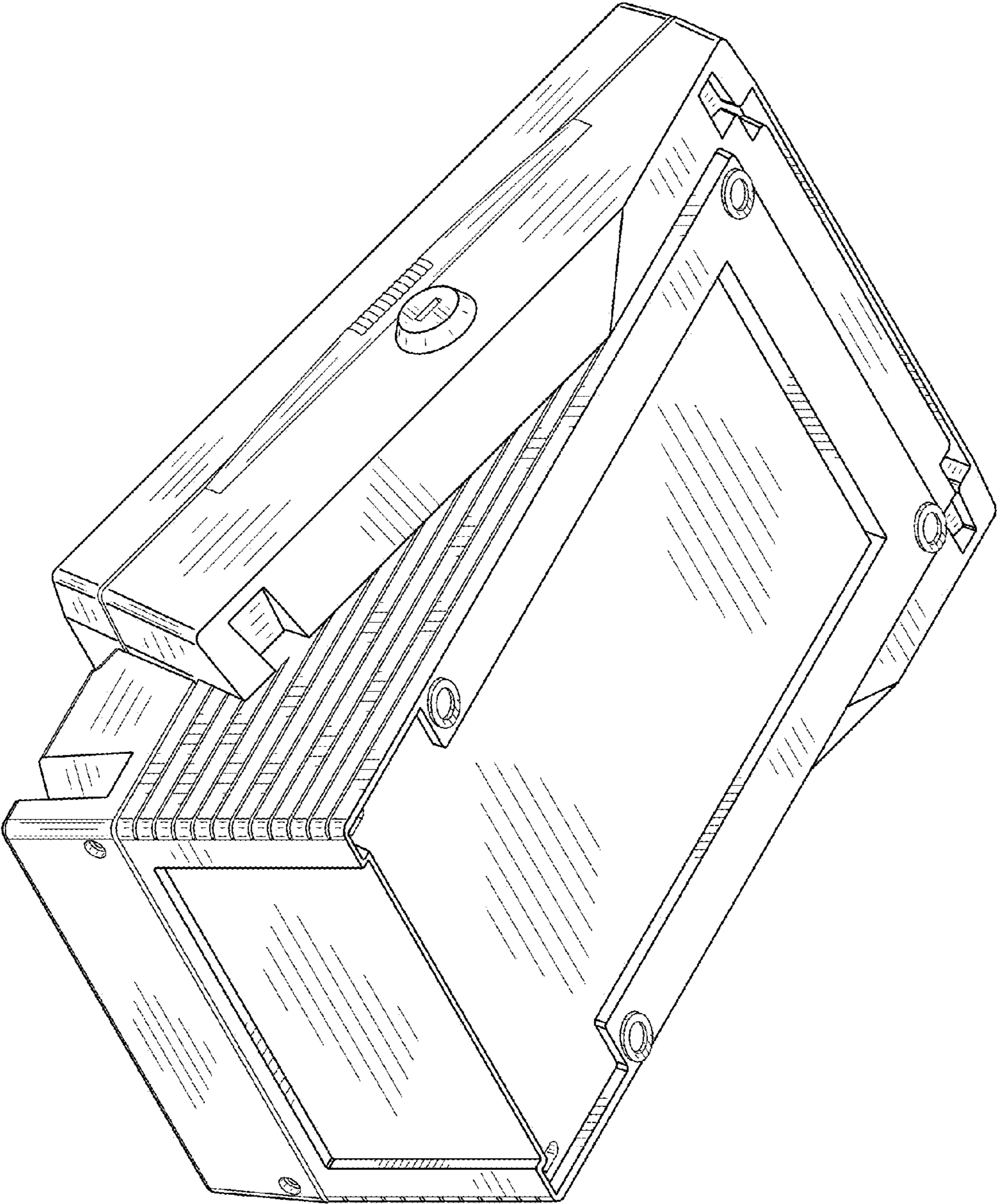


FIG. 2

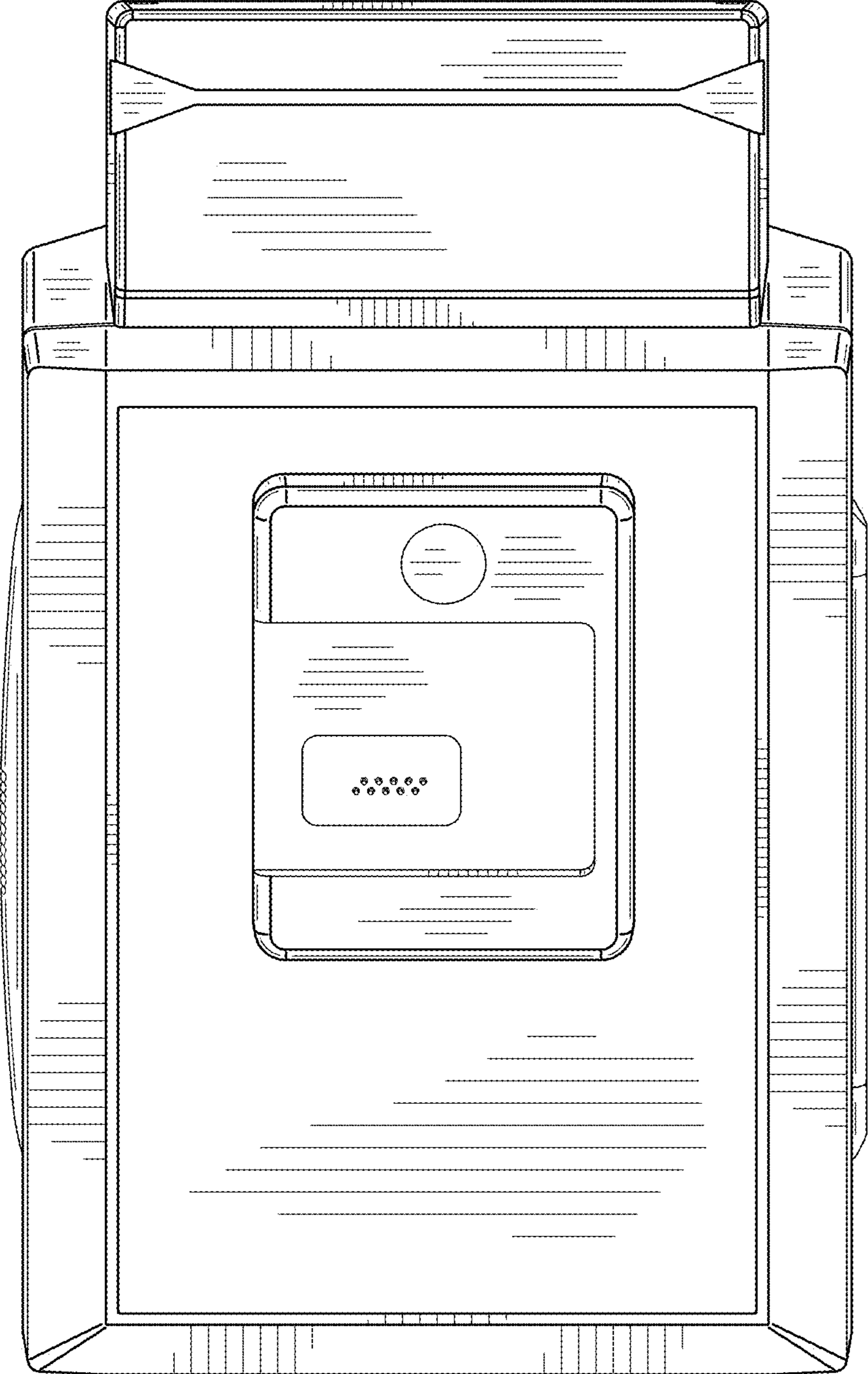


FIG. 3

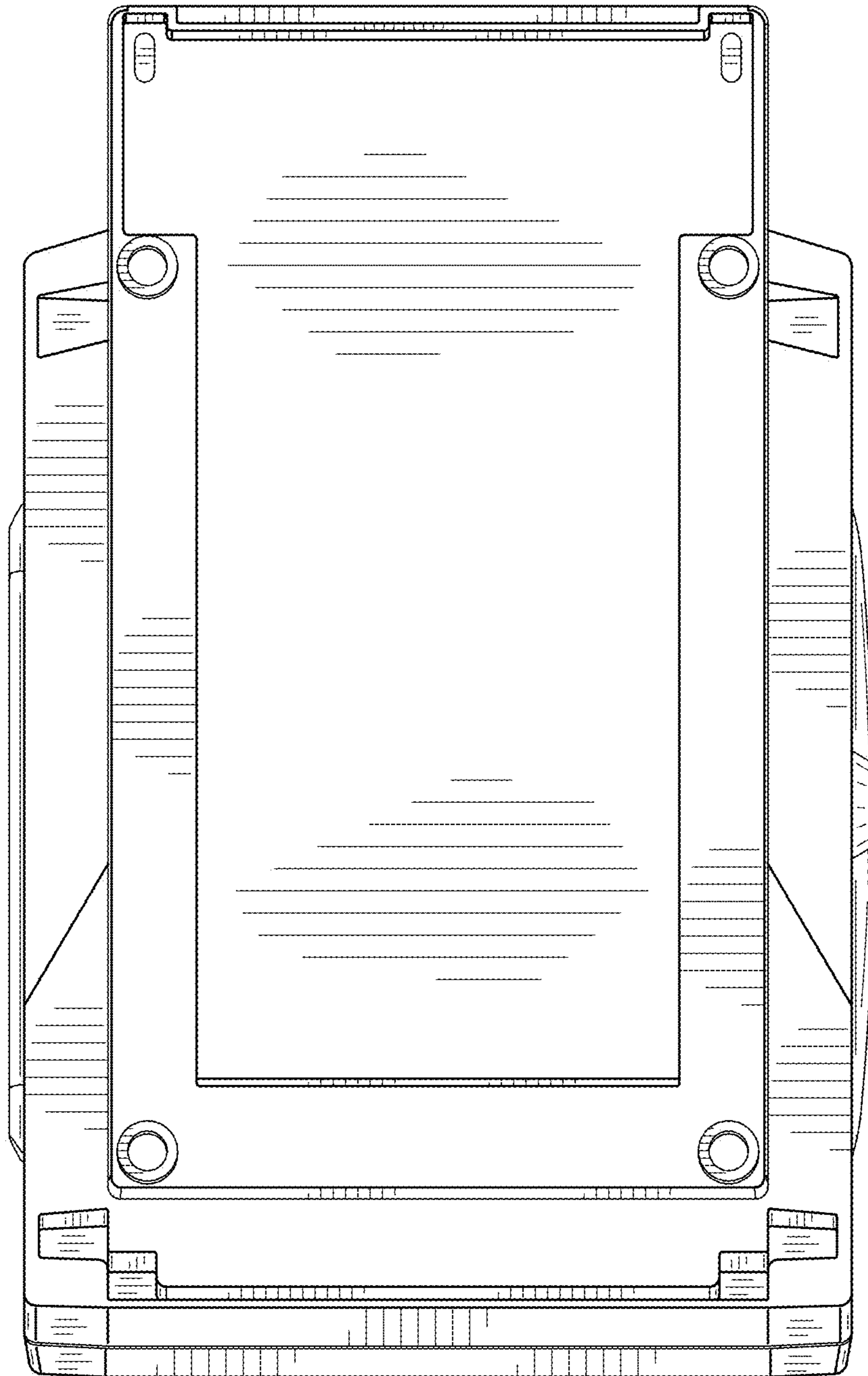


FIG. 4

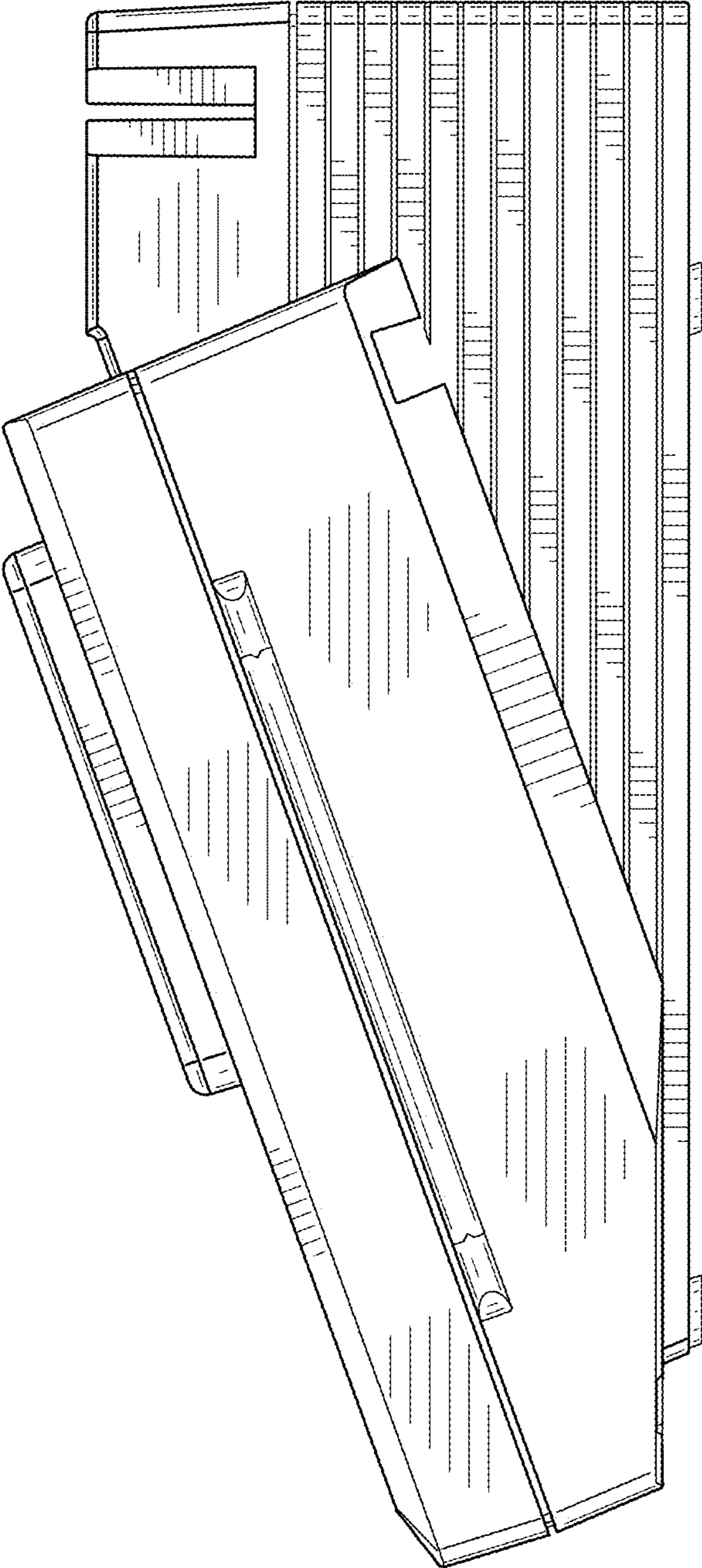


FIG. 5

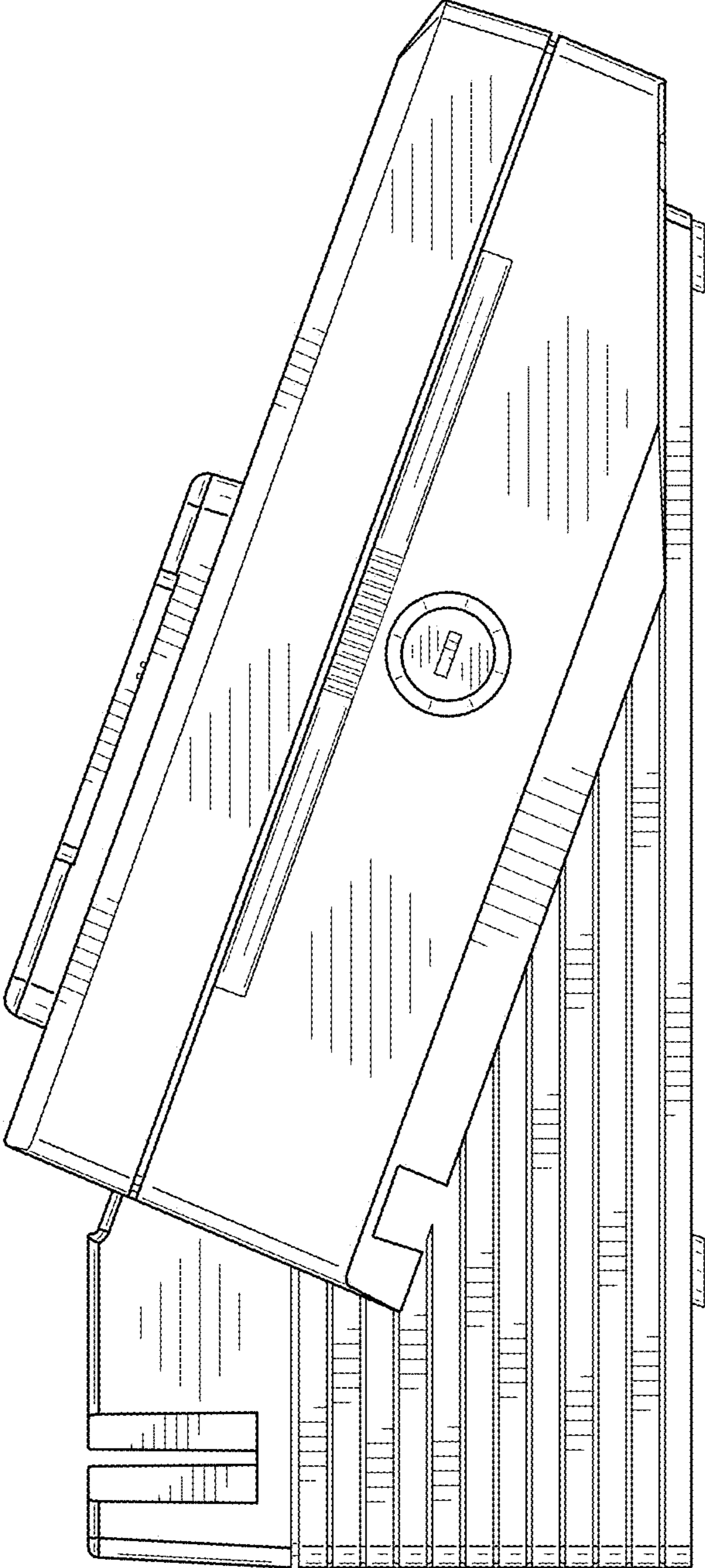


FIG. 6

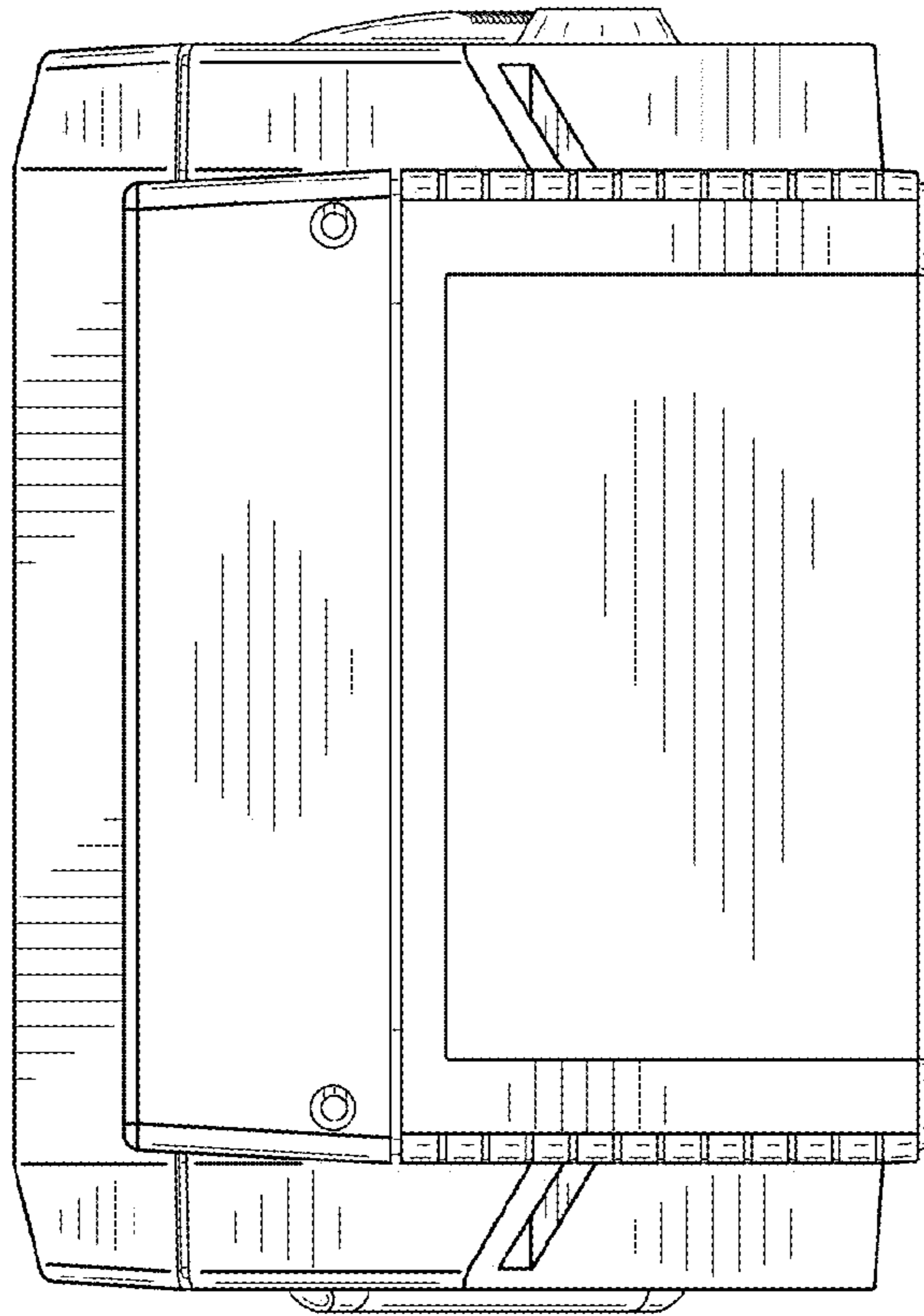


FIG. 8

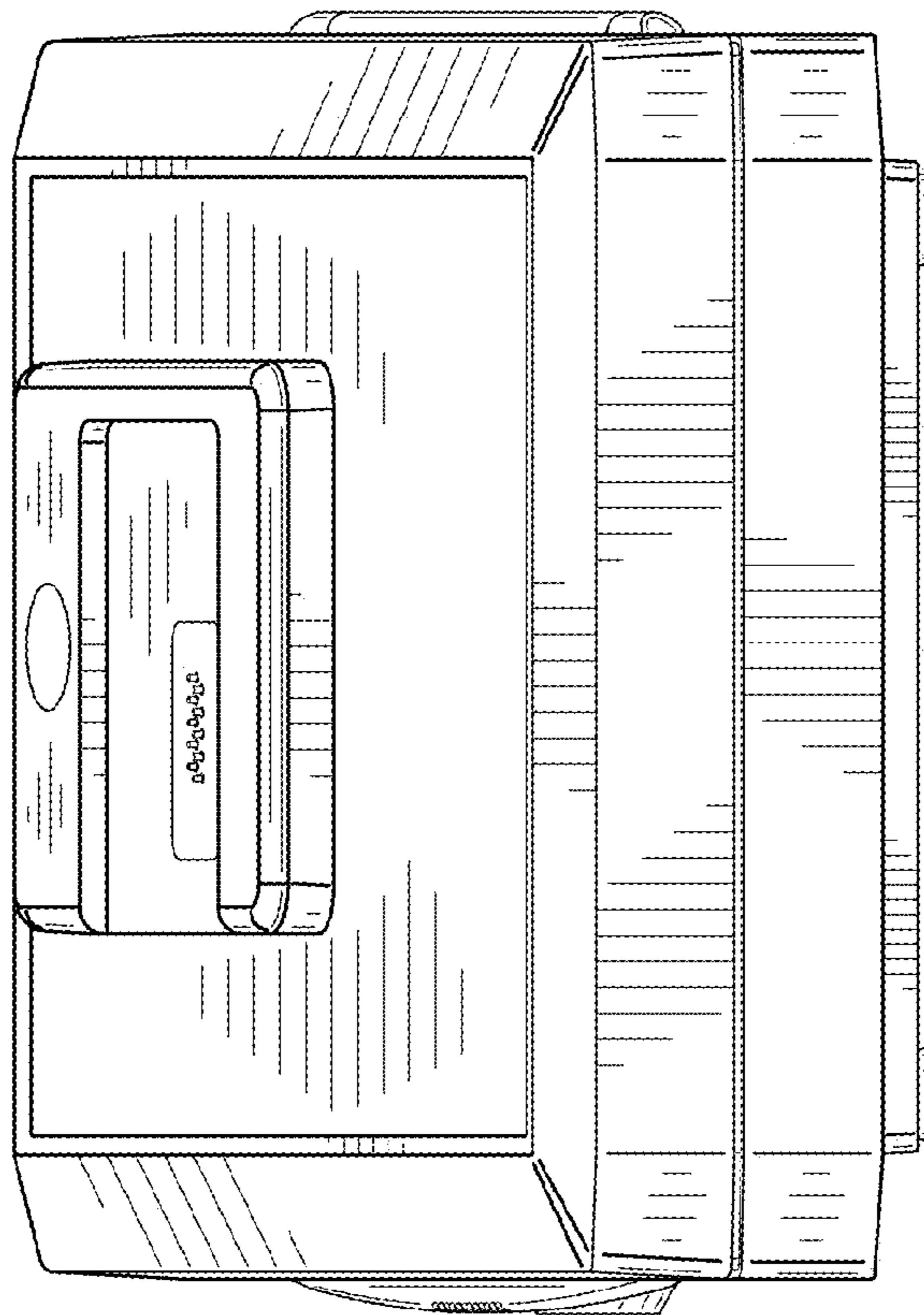


FIG. 7

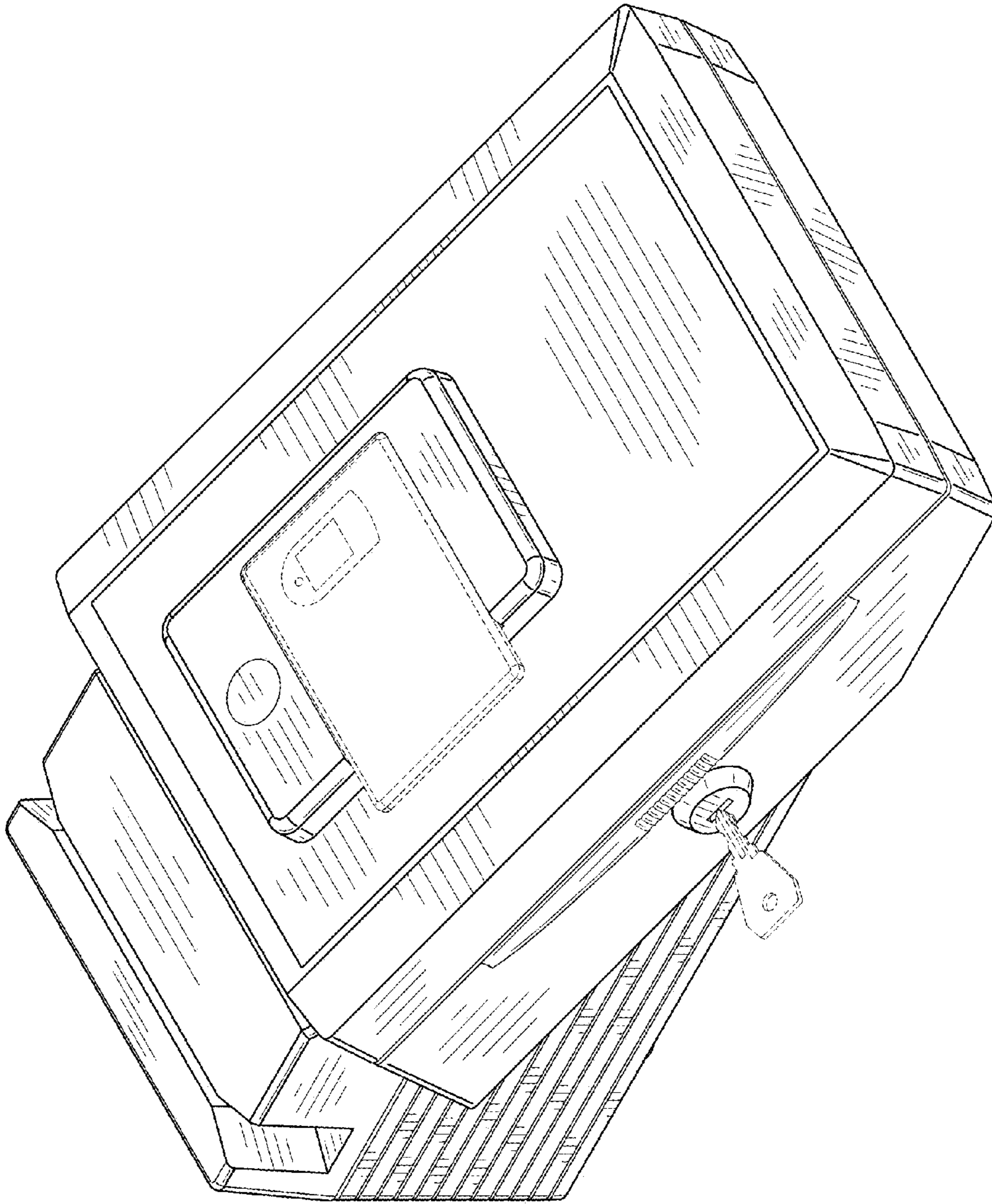


FIG. 9