



US00D711874S

(12) **United States Design Patent**
Cope

(10) **Patent No.:** **US D711,874 S**

(45) **Date of Patent:** **** Aug. 26, 2014**

(54) **DIGITAL DISPLAY**

(76) Inventor: **Richard Cope**, Duluth, GA (US)

(**) Term: **14 Years**

(21) Appl. No.: **29/422,942**

(22) Filed: **May 25, 2012**

(51) **LOC (10) Cl.** **14-02**

(52) **U.S. Cl.**
USPC **D14/374**; D6/308; D6/309

(58) **Field of Classification Search**
USPC D14/371–376, 125–129, 331, 336;
D6/300, 309, 308; 345/104, 156, 168,
345/173, 901–905; 248/917–924, 121,
248/176.1, 278.1; 348/180, 184, 325, 739;
349/1, 2, 11, 62; 361/679.01–679.09
See application file for complete search history.

(56) **References Cited**

U.S. PATENT DOCUMENTS

D459,094 S *	6/2002	Stone et al.	D6/309
D482,031 S *	11/2003	Lin	D14/371
D495,709 S *	9/2004	Walker et al.	D14/375
D534,359 S *	1/2007	Mayer	D6/309

D580,184 S *	11/2008	Svendsen et al.	D6/309
D604,955 S *	12/2009	Kuo	D6/309
D609,951 S *	2/2010	Walker	D6/559

* cited by examiner

Primary Examiner — Freda S Nunn

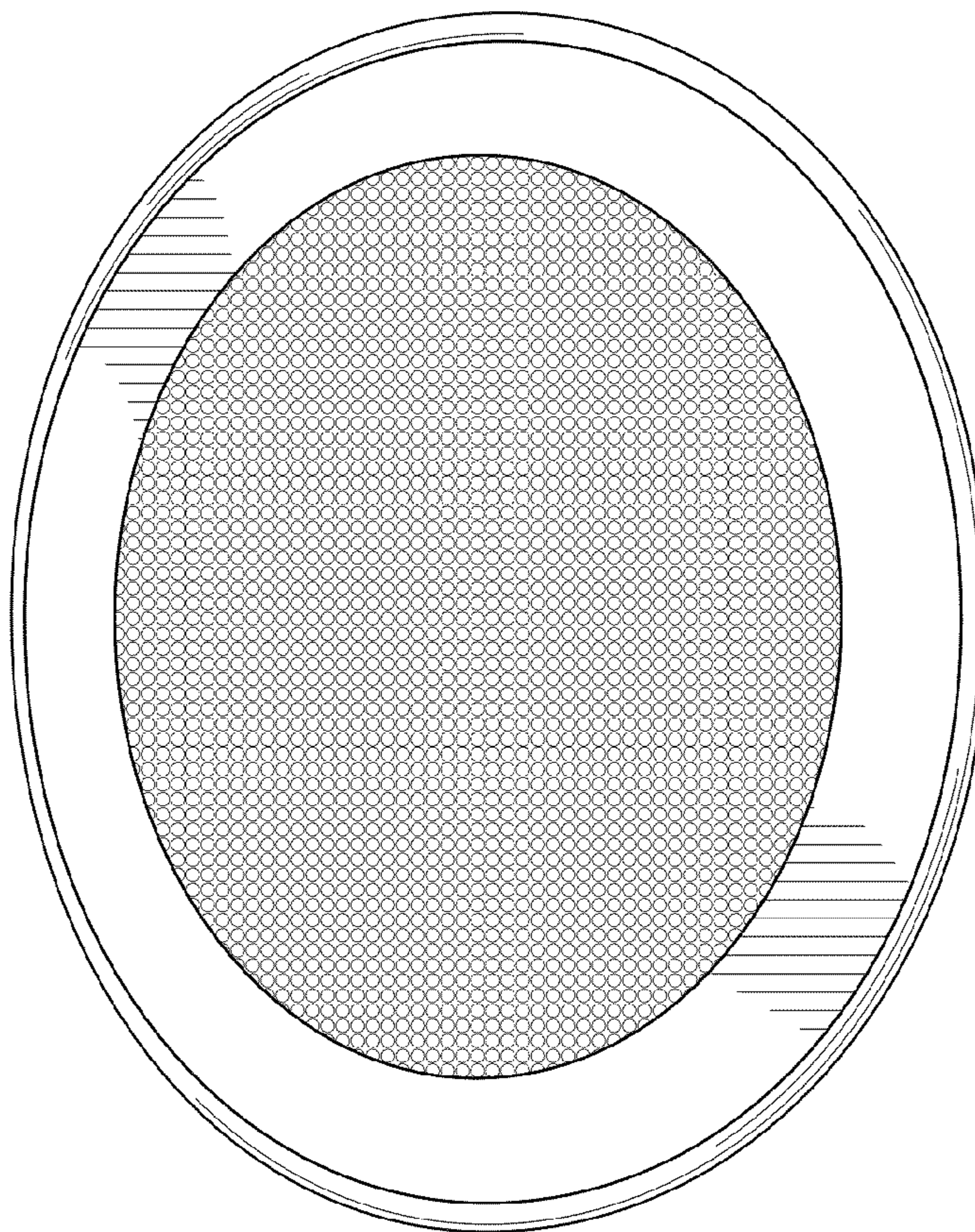
(57) **CLAIM**

The ornamental design for a digital display, as shown and described.

DESCRIPTION

FIG. 1 is a front view of the new design for a digital display having a circumferential visual orientation;
 FIG. 2 is a rear view of the new design for a digital display having a circumferential visual orientation;
 FIG. 3 is a left side view of the new design for a digital display having a circumferential visual orientation, the right side being symmetrical;
 FIG. 4 is a top view of the new design for a digital display having a circumferential visual orientation the bottom view being symmetrical; and,
 FIG. 5 is a perspective front view of the new design for a digital display having a circumferential visual orientation.
 The broken lines shown in FIG. 2 represent the bounds of the digital display and form no part of the claimed design.

1 Claim, 5 Drawing Sheets



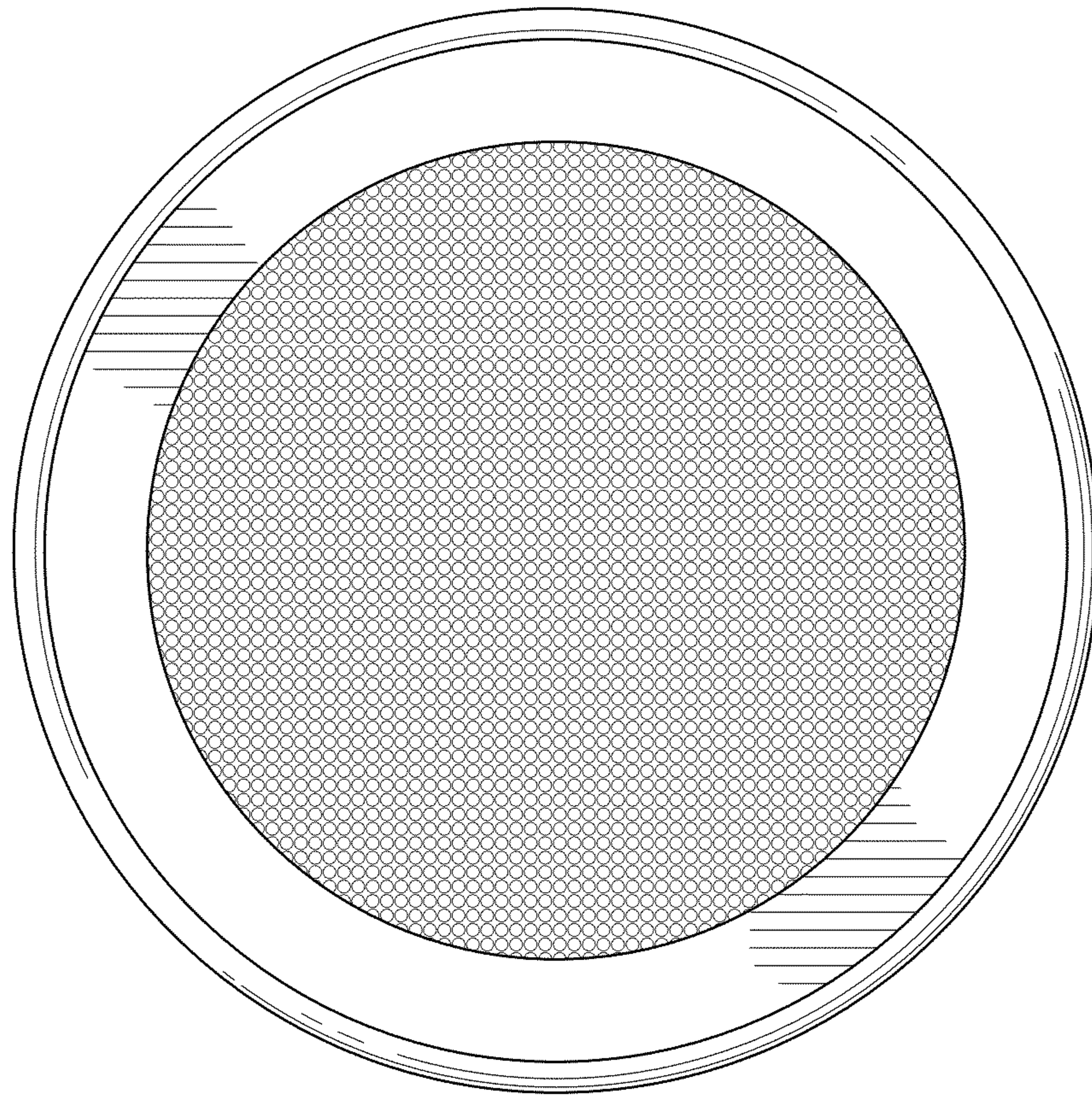


FIG. 1

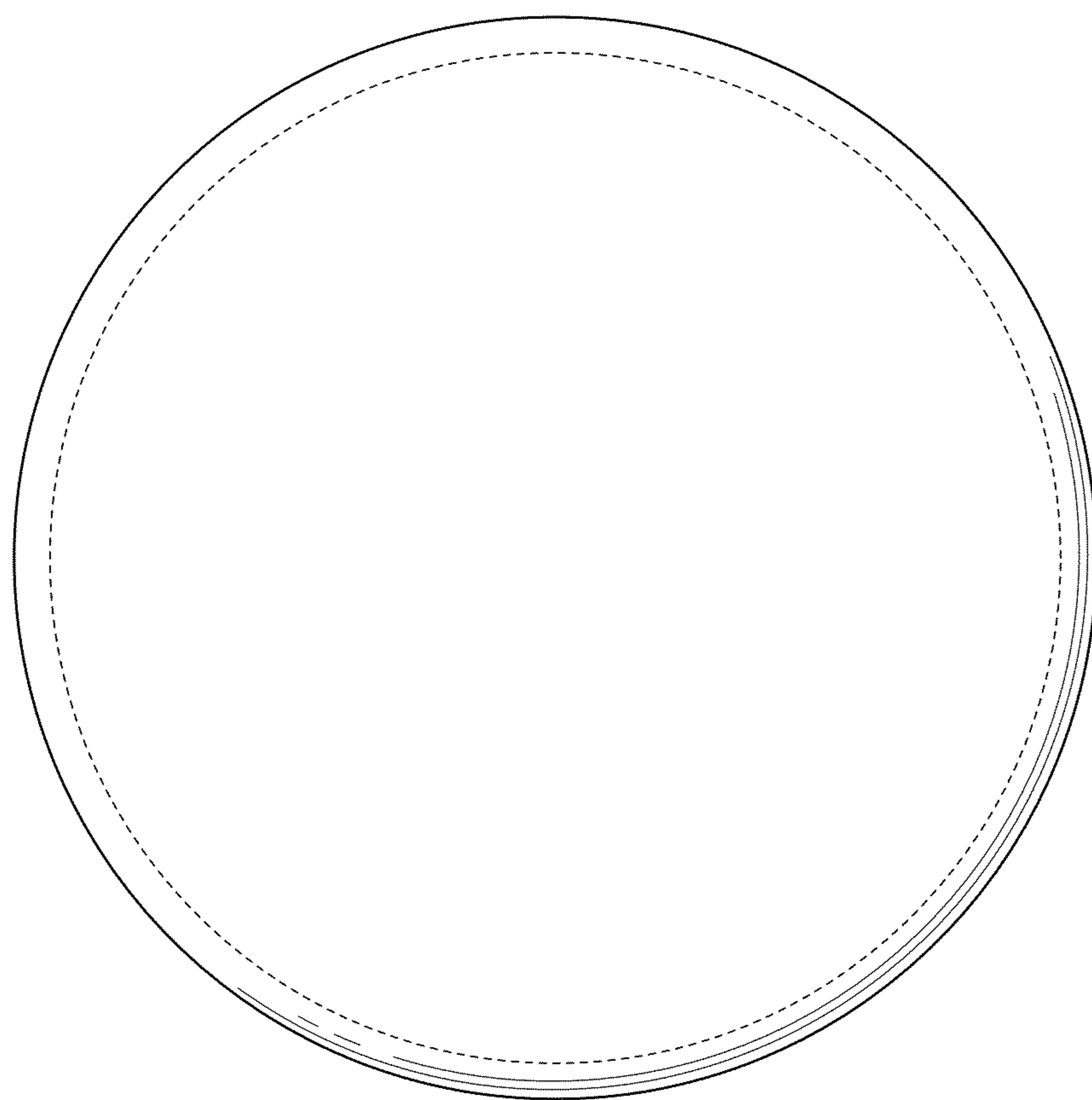


FIG. 2



FIG. 3

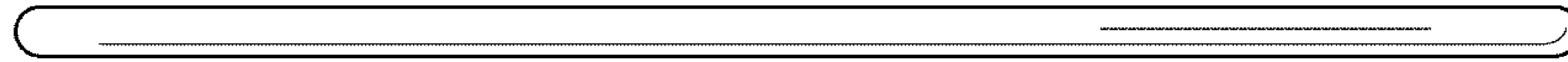


FIG. 4

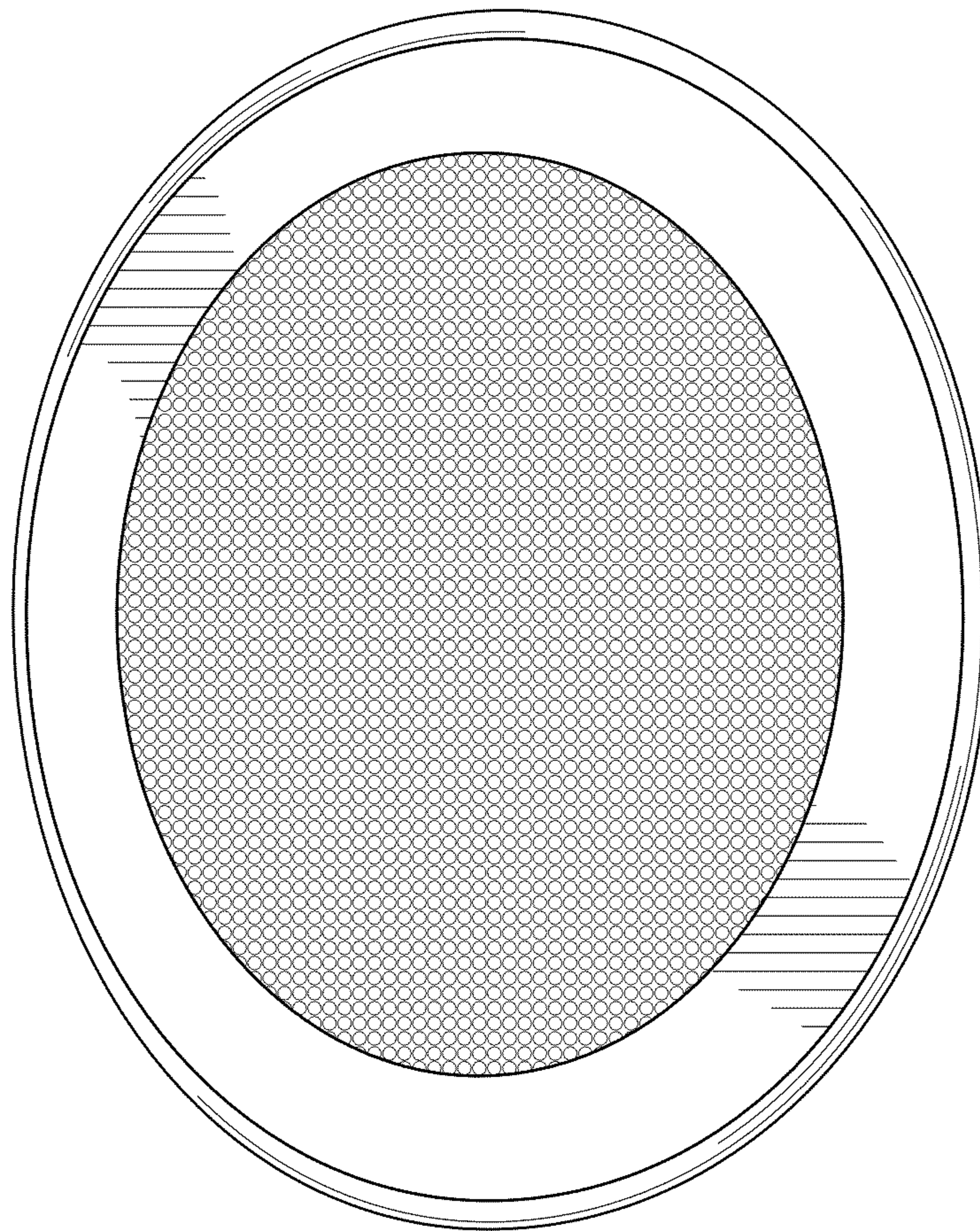


FIG. 5