



US00D711873S

(12) **United States Design Patent**
Aumiller et al.

(10) **Patent No.:** **US D711,873 S**

(45) **Date of Patent:** **** Aug. 26, 2014**

(54) **ELECTRONIC DEVICE**

(71) Applicant: **Samsung Electronics Co., Ltd.**,
Suwon-si (KR)

(72) Inventors: **Curtis Aumiller**, San Jose, CA (US);
Pranav Mistry, Cupertino, CA (US);
Chengyuan Wei, Dalian (CN)

(73) Assignee: **Samsung Electronics Co., Ltd.**,
Suwon-Si (KR)

(**) Term: **14 Years**

(21) Appl. No.: **29/453,898**

(22) Filed: **May 3, 2013**

Related U.S. Application Data

(63) Continuation of application No. 29/449,802, filed on
Mar. 15, 2013.

(51) **LOC (10) Cl.** **14-02**

(52) **U.S. Cl.**
USPC **D14/344**

(58) **Field of Classification Search**
USPC D14/341-347, 420, 426, 427, 344;
D10/30-32, 37-39, 65; 368/281-282,
368/294-296; 455/100; 361/679.03;
379/433.1; D11/3-5
See application file for complete search history.

(56) **References Cited**

U.S. PATENT DOCUMENTS

D299,028 S * 12/1988 Hermann D14/344
D335,263 S * 5/1993 Willis D11/3
D347,589 S * 6/1994 LaBate D10/74
5,361,169 A * 11/1994 Deal 359/838
D355,132 S * 2/1995 Williams D10/32
5,418,760 A * 5/1995 Kawashima et al. 368/69
D362,396 S * 9/1995 Chester D10/32
D365,550 S * 12/1995 Houlihan D14/344

D366,036 S * 1/1996 Houlihan D14/344
D383,985 S * 9/1997 Davenport D10/31
D386,696 S * 11/1997 Walch D10/34
D401,515 S * 11/1998 Yida D10/39
D410,854 S * 6/1999 Cheung et al. D10/39

(Continued)

OTHER PUBLICATIONS

Pebble smartwatch, posted Jan. 25, 2013 [online], [retrieved Aug. 22,
2013]. Retrieved from Internet, <http://www.engadget.com/2013/01/25/pebble-smartwatch-review/>.*

(Continued)

Primary Examiner — Barbara Fox

(74) *Attorney, Agent, or Firm* — Sughrue Mion, PLLC

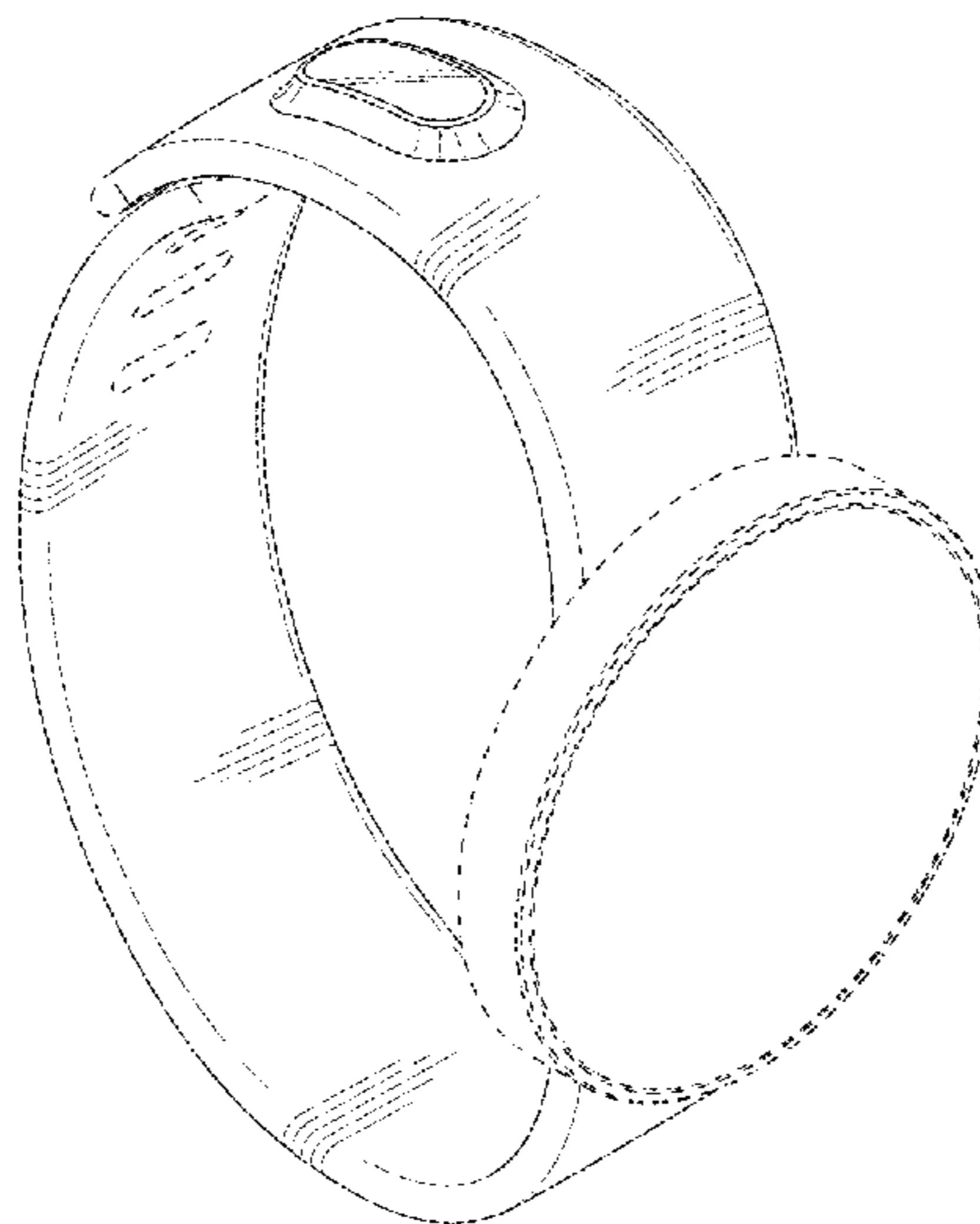
(57) **CLAIM**

The ornamental design for an electronic device, as shown and
described.

DESCRIPTION

FIG. 1 is a top front perspective view of an electronic device
showing our new design;
FIG. 2 is a front elevational view thereof;
FIG. 3 is a rear elevational view thereof;
FIG. 4 is a left side elevational view thereof;
FIG. 5 is a right side elevational view thereof;
FIG. 6 is a top plan view thereof;
FIG. 7 is a bottom plan view thereof;
FIG. 8 is an additional top front perspective view thereof with
the electronic device shown at a different direction from that
of FIG. 1; and,
FIG. 9 is an additional top front perspective view thereof with
the electronic device shown at a different direction from that
of FIG. 1 in a case where a terminal portion of the band is
partially truncated.
The broken lines shown in the drawings represent portions of
the electronic device which form no part of the claimed
design.

1 Claim, 4 Drawing Sheets



(56)

References Cited

U.S. PATENT DOCUMENTS

D413,817 S * 9/1999 Ando et al. D10/31
 D422,513 S * 4/2000 Bodino D10/32
 D434,675 S * 12/2000 Ando et al. D10/31
 D453,005 S * 1/2002 Baumer D10/32
 D455,356 S * 4/2002 Saffer D10/32
 D459,352 S * 6/2002 Giovanniello D14/402
 D460,430 S * 7/2002 Wada et al. D14/138 R
 D463,296 S * 9/2002 Sanomi D10/39
 D466,487 S * 12/2002 Wada et al. D14/138 R
 D466,488 S * 12/2002 Wada et al. D14/138 R
 D526,215 S * 8/2006 Calvani D10/38
 D526,912 S * 8/2006 Calvani D10/38
 D537,738 S * 3/2007 Ohki et al. D10/32
 D543,122 S * 5/2007 Lafever et al. D10/32
 D596,610 S * 7/2009 Hou D14/144
 D610,472 S * 2/2010 Nashimoto D10/32
 D615,955 S * 5/2010 Oh et al. D14/138 AA
 D626,550 S * 11/2010 Julien D14/341
 D636,686 S * 4/2011 Cobbett et al. D10/38
 D645,360 S * 9/2011 Kiser et al. D10/32
 D650,706 S * 12/2011 Zanella et al. D10/32
 D661,275 S * 6/2012 Roka D14/138 R
 D664,880 S * 8/2012 Cobbett et al. D11/3
 D664,881 S * 8/2012 Cobbett et al. D11/3
 D671,858 S * 12/2012 Cobbett et al. D11/3
 D672,255 S * 12/2012 Zanella et al. D10/32
 2004/0209657 A1 * 10/2004 Ghassabian 455/575.1

OTHER PUBLICATIONS

Zypad WL 1000, posted Jun. 29, 2007 [online], [retrieved Aug. 22, 2013]. Retrieved from Internet, <http://www.pocket-lint.com/news/81360-zypad-wl1000-futuristic-wearable-computer>.
 iWatch Concept, posted Feb. 21, 2013 [online], [retrieved Aug. 21, 2013]. Retrieved from Internet, <http://appleinsider.com>.
 Samsungpatent for a wrist watch computing device, posted Aug. 14, 2013 [online], [retrieved Aug. 21, 2013]. Retrieved from Internet, <http://appleinsider.com>.

Microsoft "Smartwatch", posted Apr. 17, 2013 [online], [retrieved Aug. 22, 2013]. Retrieved from Internet, <http://kotaku.com/report-xbox-staffworking-on-microsoft-smartwatch-475322574>.
 Smartwatches, posted Mar. 25, 2013 [online], [retrieved Aug. 22, 2013]. Retrieved from Internet, <http://www.trustedreviews.com/opinions/smart-watches-fad-or-the-future>.
 Microsoft smartwatch, posted Apr. 15, 2013 [online], [retrieved Aug. 22, 2013]. Retrieved from Internet, <http://www.digitaltrends.com>.
 Samsung SPH-WP10, posted Mar. 21, 2013 [online], [retrieved Aug. 21, 2013]. Retrieved from Internet, <http://appleinsider.com>.
 Sony SmartWatch, posted Mar. 19, 2012 [online], [retrieved Aug. 22, 2013]. Retrieved from Internet, <http://www.theverge.com/2012/3/19/2876341/sony-smartwatch-review>.
 Microsoft SPTO Watch Smartwatch, posted Mar. 11, 2013 [online], [retrieved Aug. 22, 2013]. Retrieved from Internet, <http://www.smartwatchnews.org/2004-microsoft-spot-watch-smartwatch/>.
 I'm Watch, posted Jan. 10, 2012 [online], [retrieved Aug. 22, 2013]. Retrieved from Internet, <http://www.theverge.com>.
 Sonostar, posted May 21, 2013 [online], [retrieved Aug. 25, 2013]. Retrieved from Internet, http://reviews.cnet.com/cell-phone-and-smart/sonostar-smartwatch/4505-6448_7-35768972.html.
 Slap Band Watches, posted Dec. 18, 2011 [online], [retrieved Aug. 25, 2013]. Retrieved from Internet, <http://www.whatsondeals.com>.
 Design U.S. Appl. No. 29/449,802, Curtis Aumiller, filed Mar. 15, 2013.
 Design U.S. Appl. No. 29/453,822, Curtis Aumiller, filed May 3, 2013.
 Design U.S. Appl. No. 29/453,902, Curtis Aumiller, filed May 3, 2013.
 Design U.S. Appl. No. 29/453,910, Curtis Aumiller, filed May 3, 2013.
 Design U.S. Appl. No. 29/453,917, Curtis Aumiller, filed May 3, 2013.
 Design U.S. Appl. No. 29/453,893, Curtis Aumiller, filed May 3, 2013.

* cited by examiner

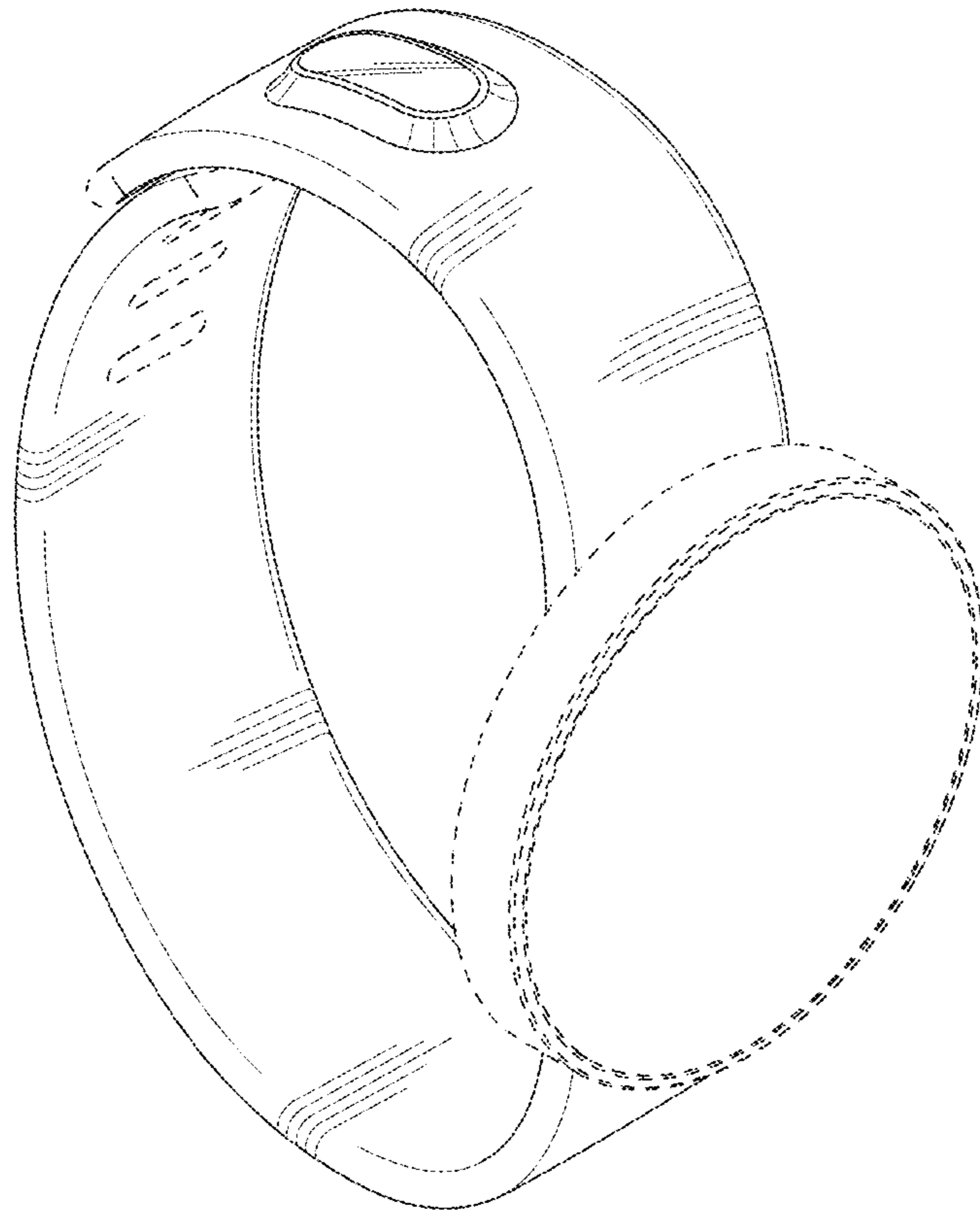


FIG. 1

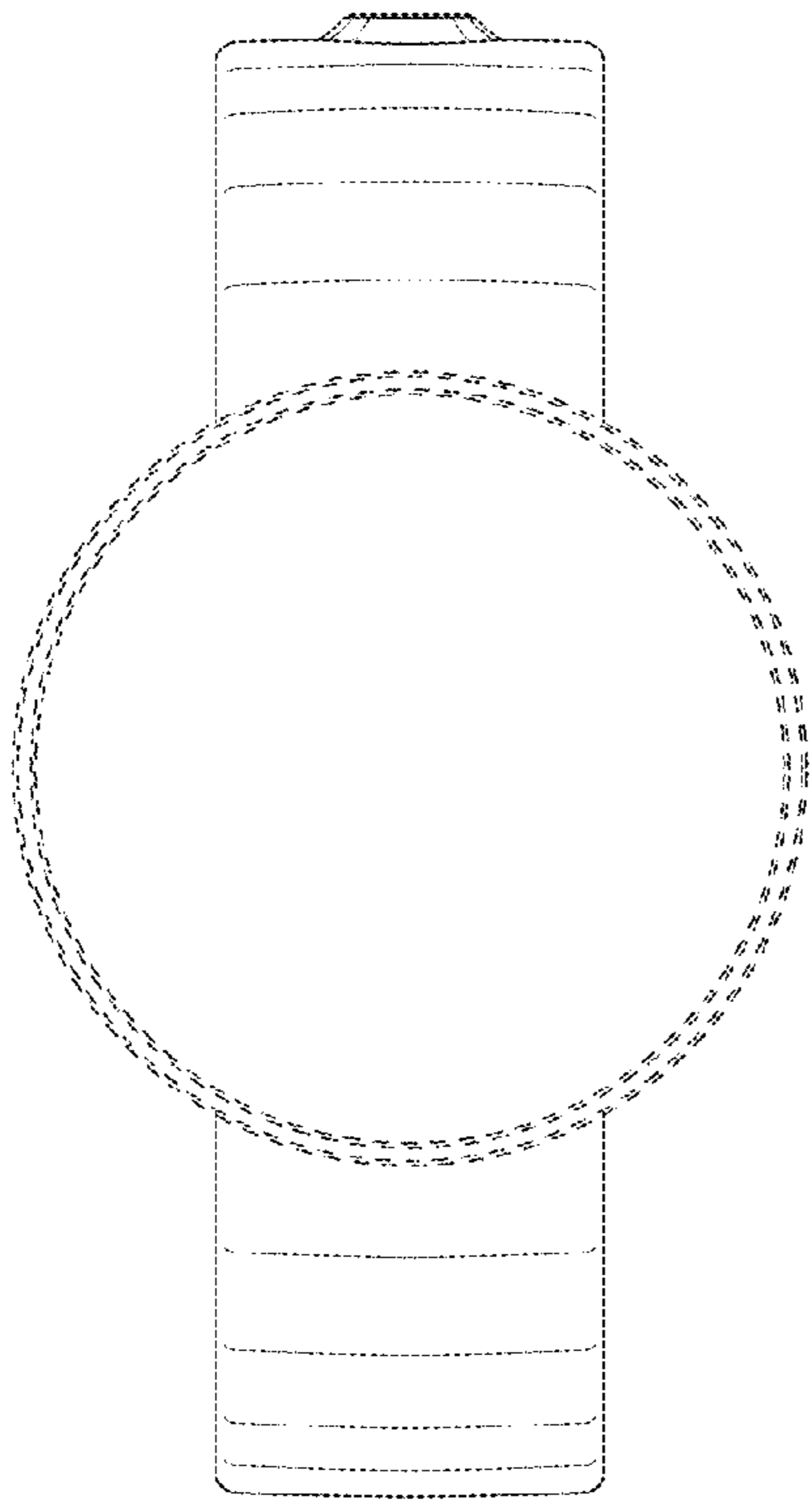


FIG. 2

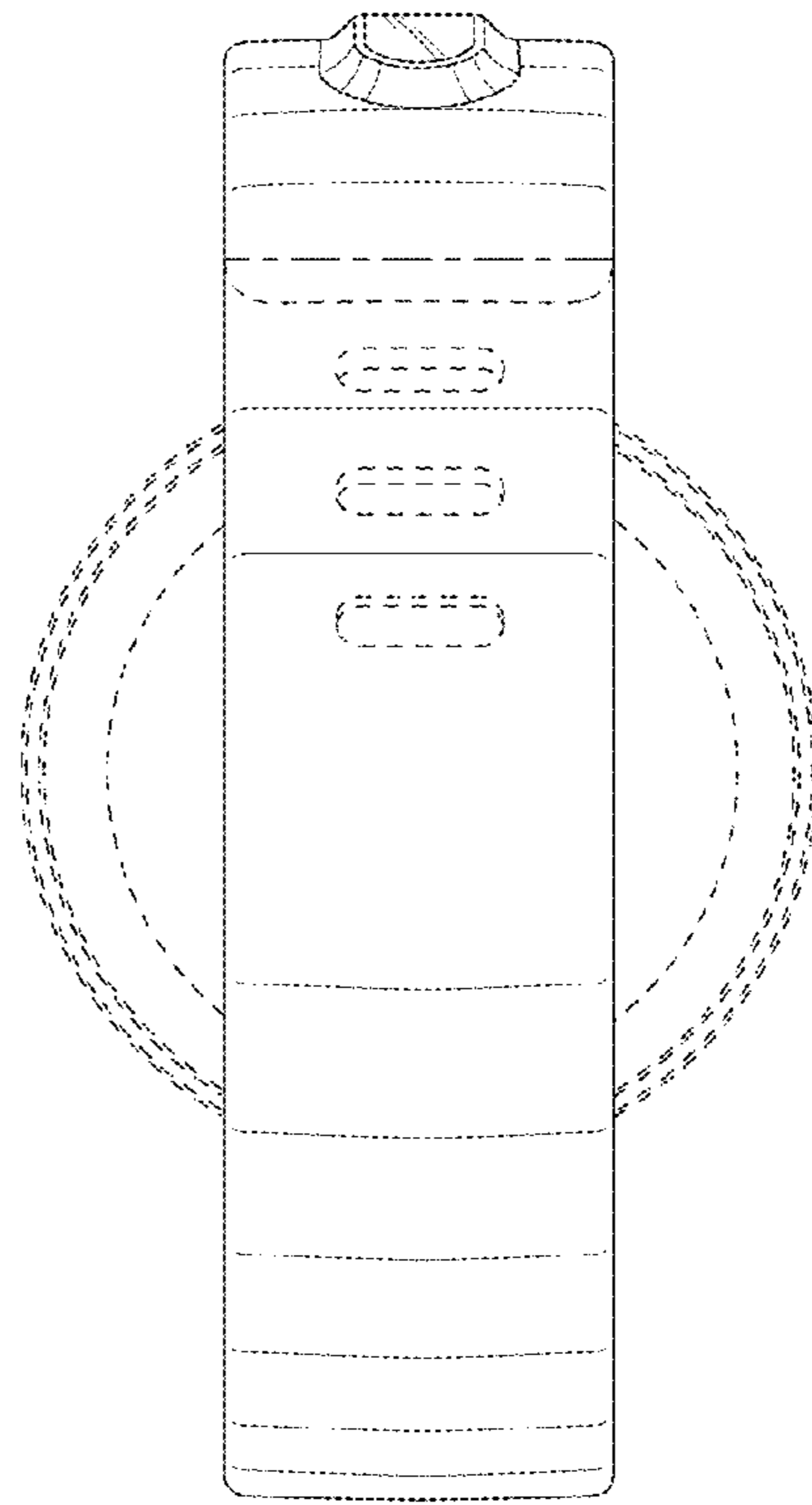


FIG. 3

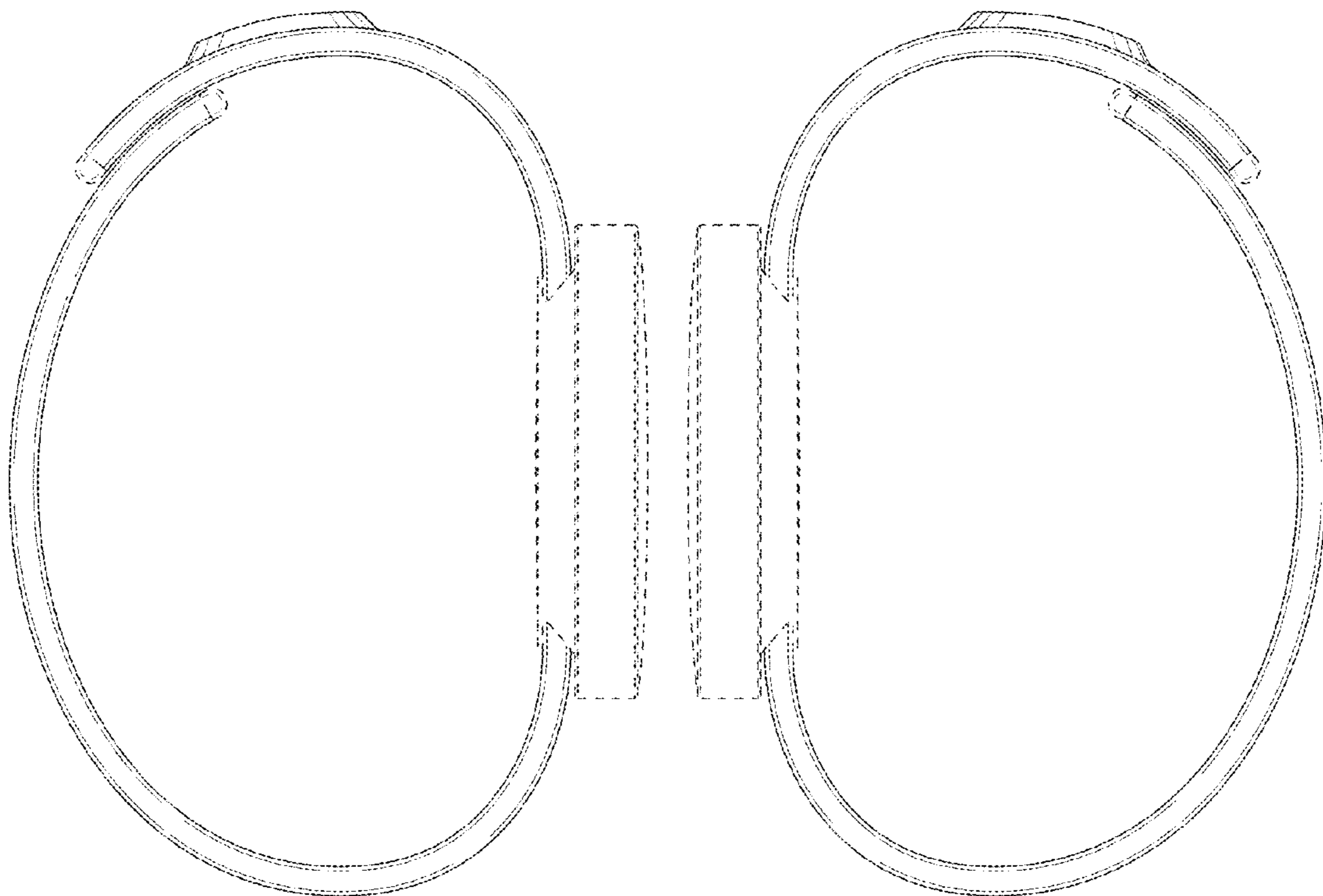


FIG. 4

FIG. 5

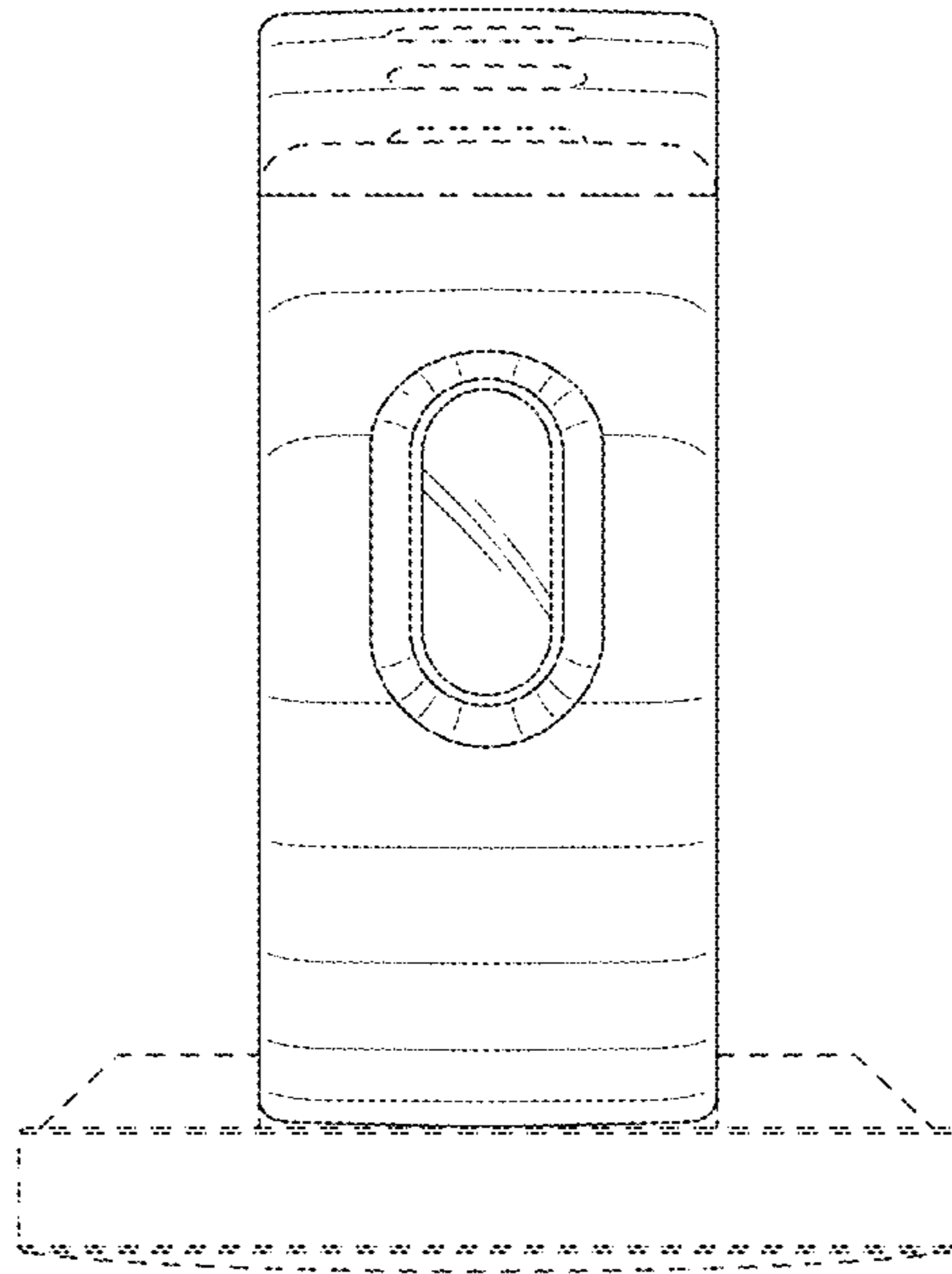


FIG. 6

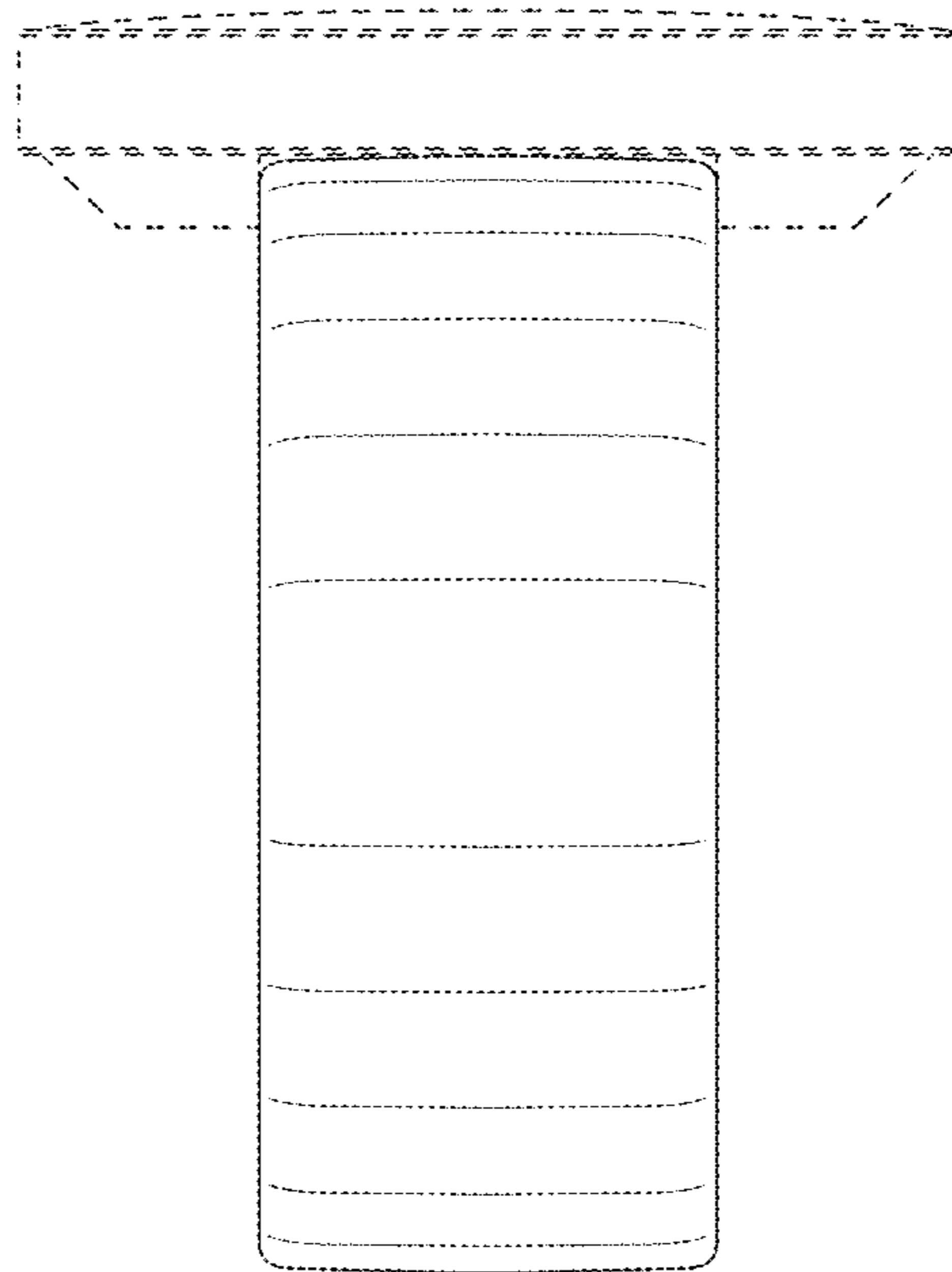


FIG. 7

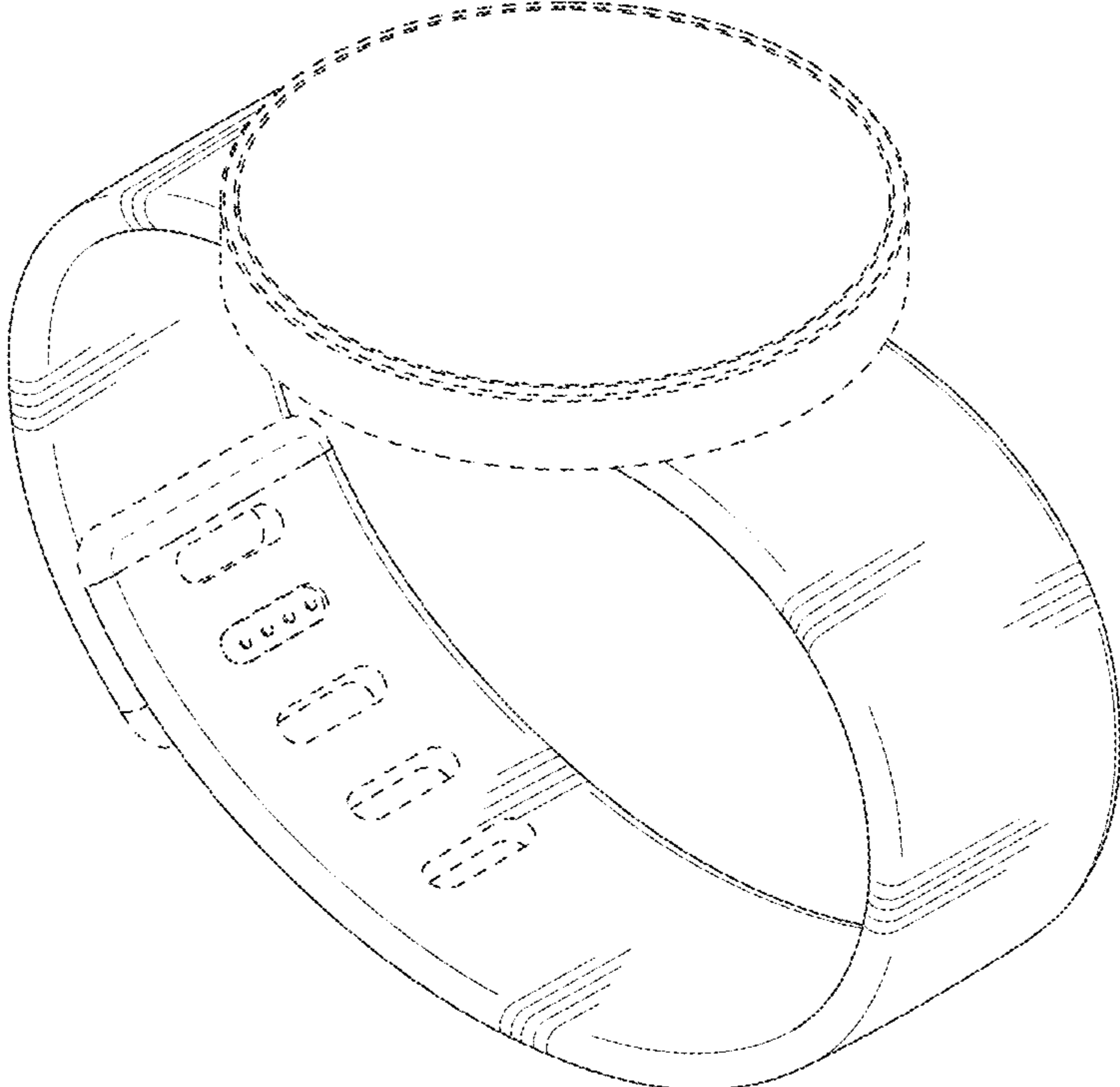


FIG. 8

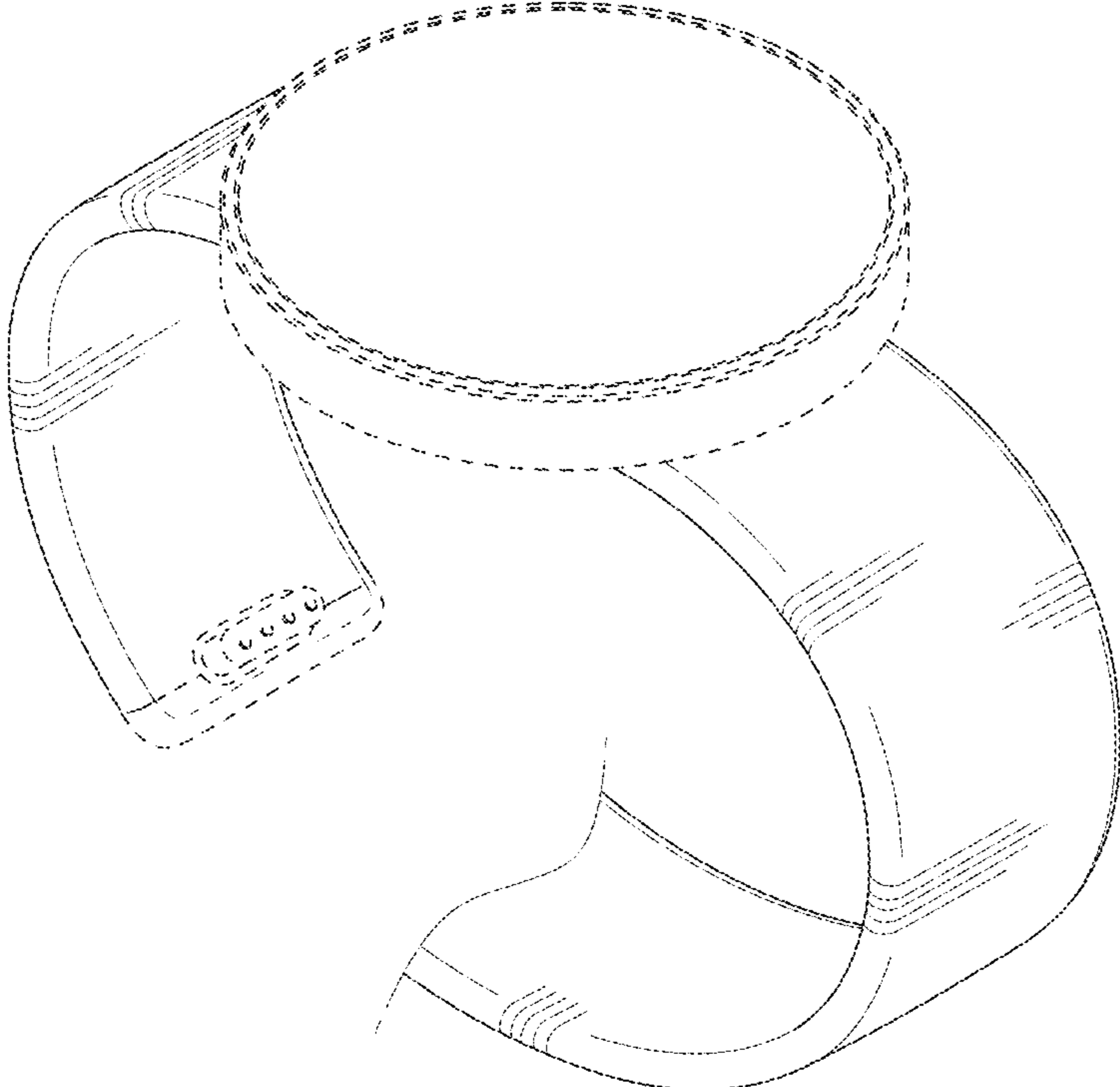


FIG. 9