



US00D711872S

(12) **United States Design Patent**
Aumiller et al.

(10) **Patent No.:** **US D711,872 S**
(45) **Date of Patent:** **** Aug. 26, 2014**

- (54) **ELECTRONIC DEVICE**
- (71) Applicant: **Samsung Electronics Co., Ltd.,**
Suwon-si (KR)
- (72) Inventors: **Curtis Aumiller, San Jose, CA (US);**
Pranav Mistry, Cupertino (CA);
Chengyuan Wei, Dalian (CN)
- (73) Assignee: **Samsung Electronics Co., Ltd.,**
Suwon-Si (KR)
- (**) Term: **14 Years**
- (21) Appl. No.: **29/449,656**
- (22) Filed: **Mar. 15, 2013**
- (51) **LOC (10) Cl.** **14-02**
- (52) **U.S. Cl.**
USPC **D14/344**
- (58) **Field of Classification Search**
USPC D14/341-347, 420, 426, 427;
D10/30-32, 37-39, 65; 368/281-282,
368/294-296; 455/100; 361/679.03;
379/433.1; D11/3-5
See application file for complete search history.

- (56) **References Cited**
U.S. PATENT DOCUMENTS
- D224,913 S * 10/1972 Maroni D10/32
- D282,914 S 3/1986 Maron
- D284,949 S 8/1986 Kong
- D297,121 S 8/1988 Porsche et al.
- D302,664 S 8/1989 Dawson, Jr.
- D335,263 S * 5/1993 Willis D11/3
- D351,558 S 10/1994 Moon
- 5,361,169 A * 11/1994 Deal 359/838
- D356,960 S 4/1995 Courteault
- D362,396 S * 9/1995 Chester D10/32
- D372,878 S * 8/1996 Finnegan D11/3

- D433,949 S 11/2000 Helleu
- D455,356 S * 4/2002 Saffer D10/32
- D543,122 S 5/2007 Lafever et al.
- D545,697 S * 7/2007 Martin D10/38
- D574,262 S * 8/2008 Martinez et al. D10/32
- D604,643 S * 11/2009 Ahlstrom D10/31
- D610,472 S * 2/2010 Nashimoto D10/32
- D612,269 S * 3/2010 Leung D10/32
- D635,472 S * 4/2011 Dalla Libera et al. D10/32
- D640,948 S * 7/2011 Quigley D11/3
- 8,506,158 B2 * 8/2013 Keung et al. 368/282

OTHER PUBLICATIONS

Pebble smartwatch, posted Jun. 25, 2013 [online], [retrieved Aug. 22, 2013]. Retrieved from Internet, <http://www.engadget.com/2013/01/25/pebble-smartwatch-review/>.*

Zypad WL 1000, posted Jun. 29, 2007 [online], [retrieved Aug. 22, 2013]. Retrieved from Internet, <http://www.pocket-lint.com/news/81360-zypad-wl1000-futuristic-wearable-computer>.*

(Continued)

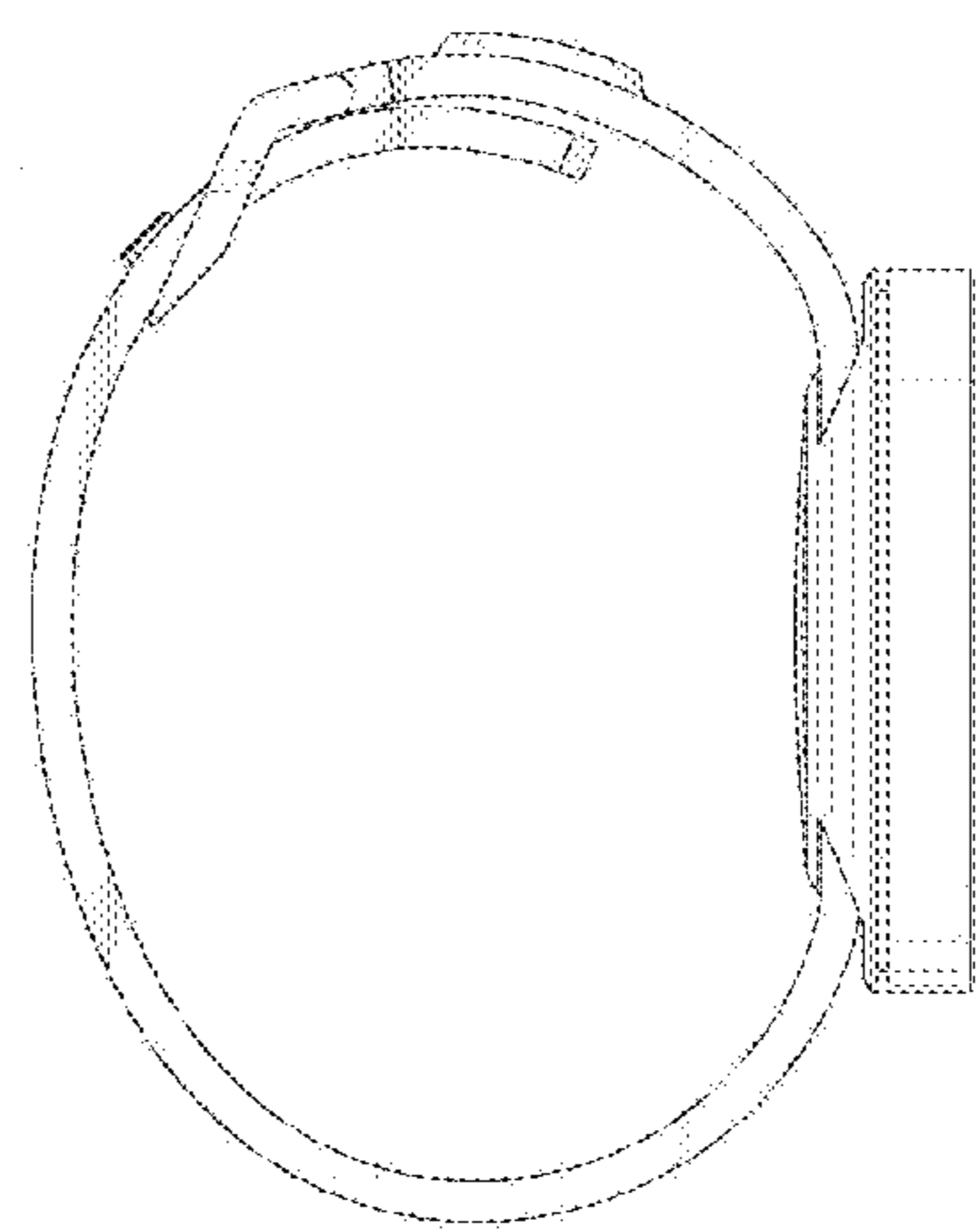
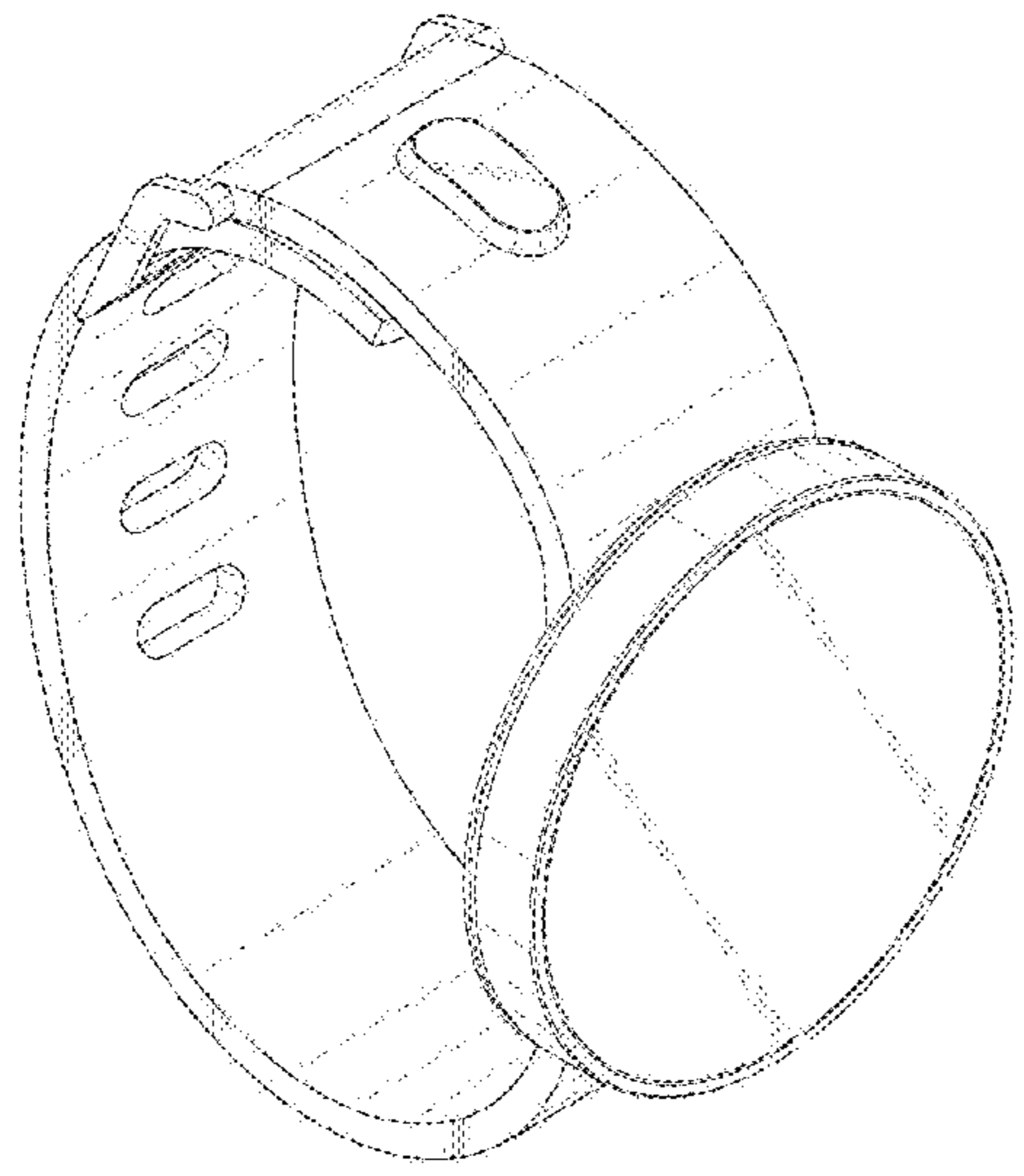
Primary Examiner — Barbara Fox
(74) *Attorney, Agent, or Firm* — Sughrue Mion, PLLC

(57) **CLAIM**
The ornamental design for an electronic device, as shown and described.

DESCRIPTION

FIG. 1 is a top front perspective view of an electronic device showing our new design;
FIG. 2 is a front elevational view thereof;
FIG. 3 is a rear elevational view thereof;
FIG. 4 is a left side elevational view thereof;
FIG. 5 is a right side elevational view thereof;
FIG. 6 is a top plan view thereof;
FIG. 7 is a bottom plan view thereof; and,
FIG. 8 is a top rear perspective view thereof in a case where a terminal portion of the band is partially truncated.

1 Claim, 4 Drawing Sheets



(56)

References Cited

OTHER PUBLICATIONS

iWatch Concept, posted Feb. 21, 2013 [online], [retrieved Aug. 21, 2013]. Retrieved from Internet, <http://appleinsider.com>.*

Samsung patent for a wrist watch computing device, posted Aug. 14, 2013 [online], [retrieved Aug. 21, 2013]. Retrieved from Internet, <http://appleinsider.com>.*

Microsoft "Smartwatch", posted Apr. 17, 2013 [online], [retrieved Aug. 22, 2013]. Retrieved from Internet, <http://kotaku.com/report-xbox-staff-working-on-microsoft-smartwatch-475322574>.*

Smartwatches, posted Mar. 25, 2013 [online], [retrieved Aug. 22, 2013]. Retrieved from Internet, <http://www.trustedreviews.com/opinions/smart-watches-fad-or-the-future>.*

Microsoft smartwatch, posted Apr. 15, 2013 [online], [retrieved Aug. 22, 2013]. Retrieved from Internet, <http://www.digitaltrends.com>.*

Samsung SPH-WP10, posted Mar. 21, 2013 [online], [retrieved Aug. 21, 2013]. Retrieved from Internet, <http://appleinsider.com>.*

Sony SmartWatch, posted Mar. 19, 2012 [online], [retrieved Aug. 22, 2013]. Retrieved from Internet, <http://www.theverge.com/2012/3/19/2876341/sony-smartwatch-review>.*

Microsoft SPTO Watch Smartwatch, posted Mar. 11, 2013 [online], [retrieved Aug. 22, 2013]. Retrieved from Internet, <http://www.smartwatchnews.org/2004-microsoft-spot-watch-smartwatch/>.*

I'm Watch, posted Jan. 10, 2012 [online], [retrieved Aug. 22, 2013]. Retrieved from Internet, <http://www.theverge.com>.*

Sonostar, posted May 21, 2013 [online], [retrieved Aug. 25, 2013]. Retrieved from Internet, http://reviews.cnet.com/cell-phone-and-smart/sonostar-smartwatch/4505-6448_7-35768972.html.*

Slap Band Watches, posted Feb. 18, 2011 [online], [retrieved Aug. 25, 2013]. Retrieved from Internet, <http://www.whatsondeals.com>.*

* cited by examiner

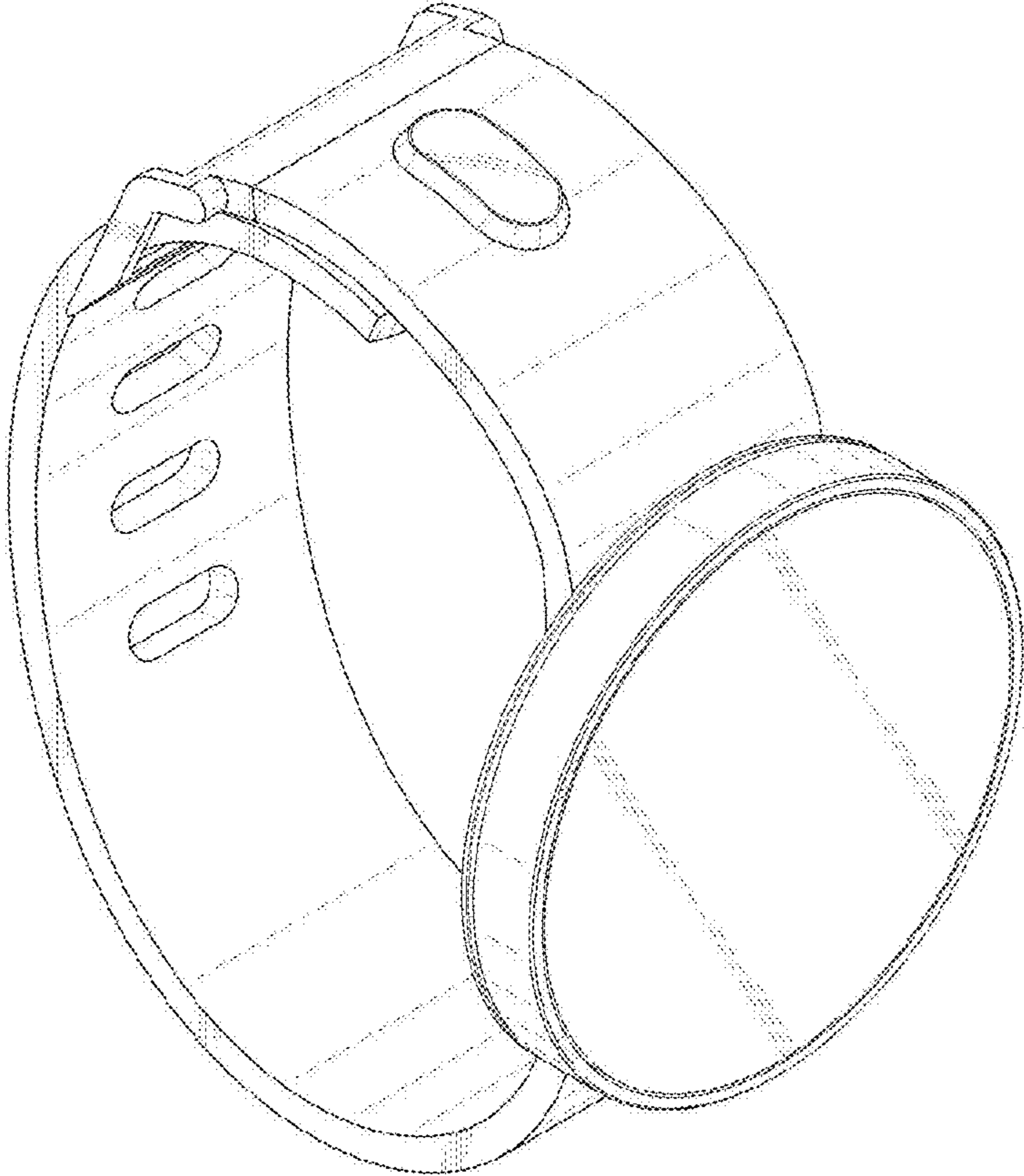


FIG. 1

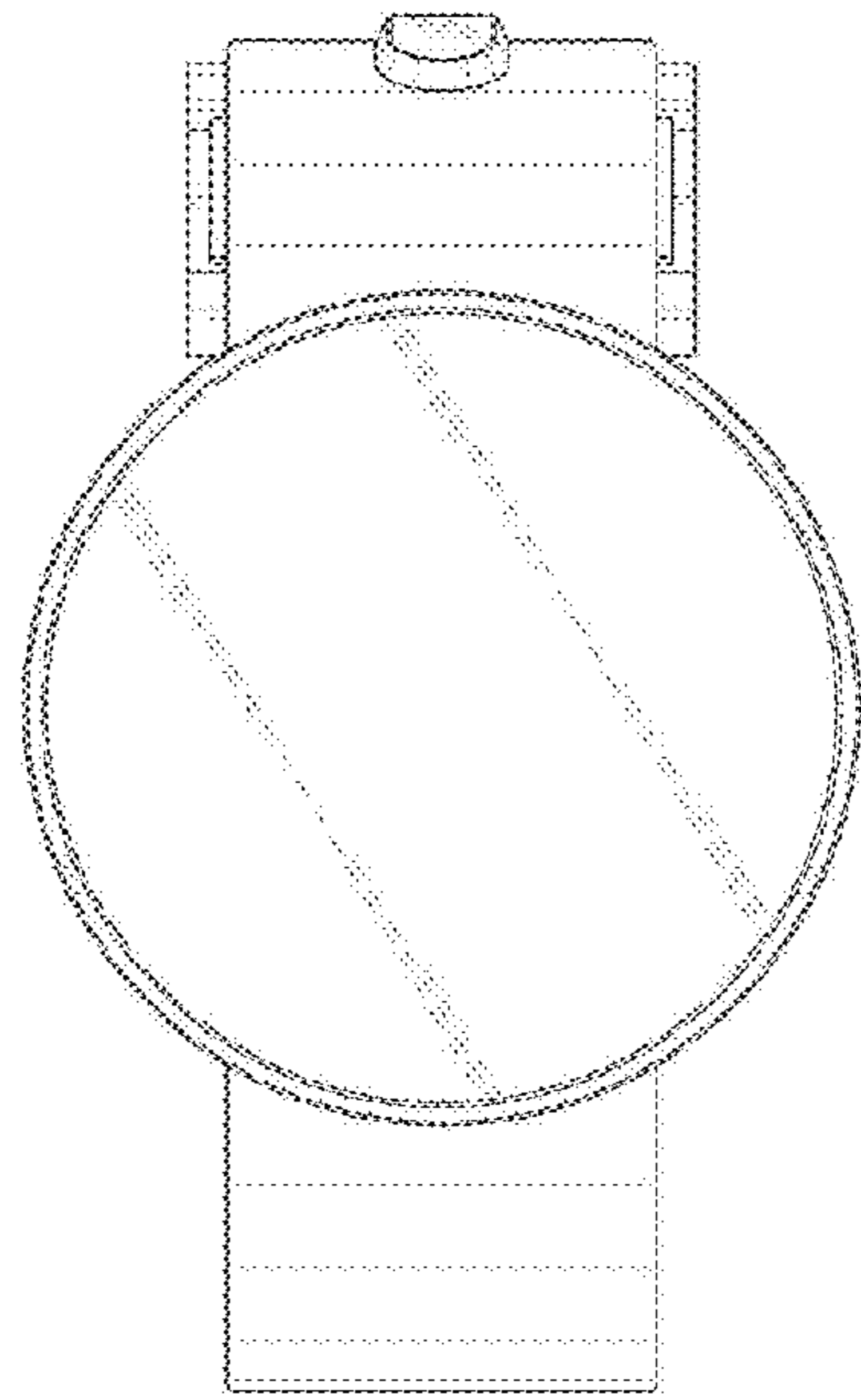


FIG. 2

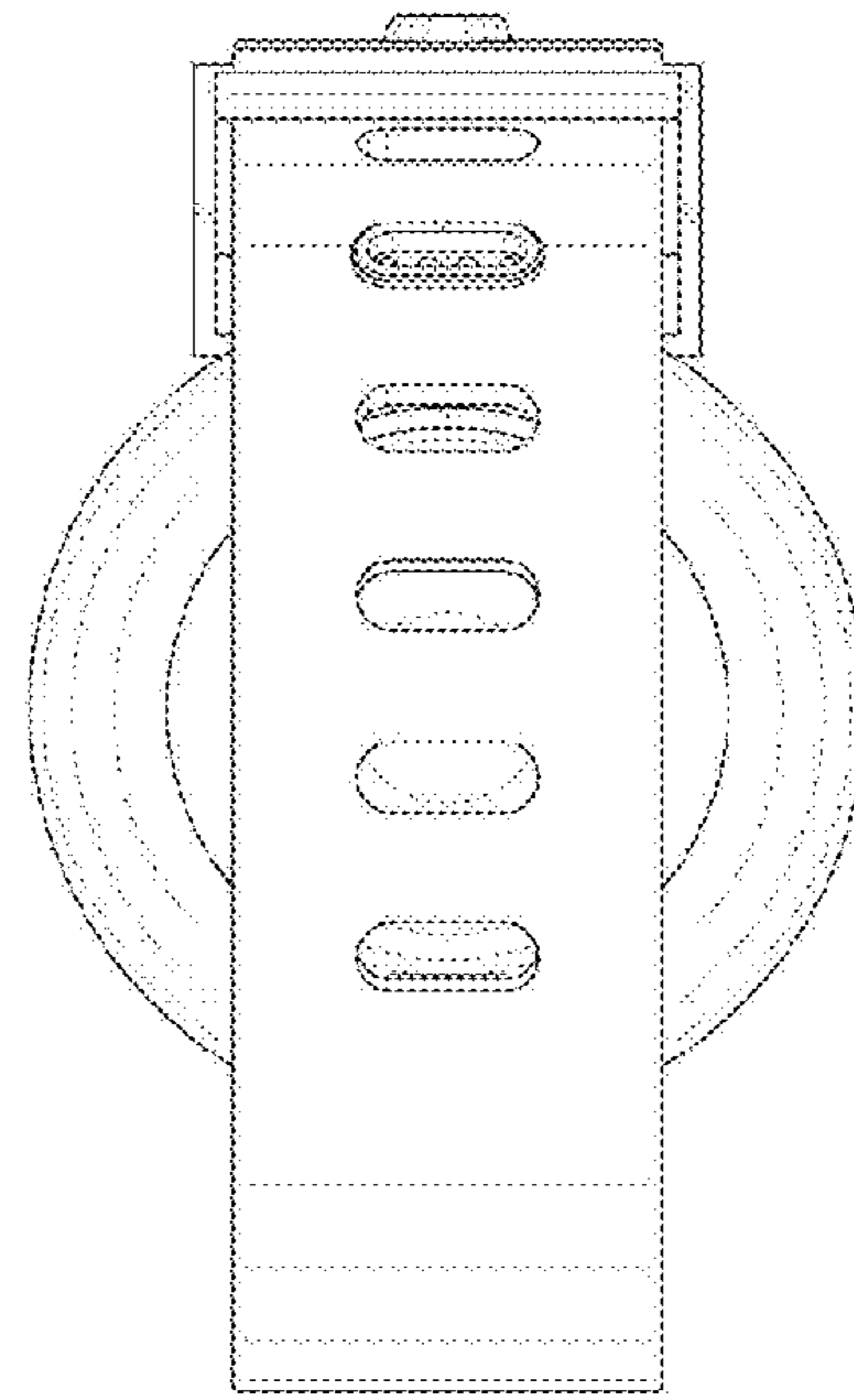


FIG. 3

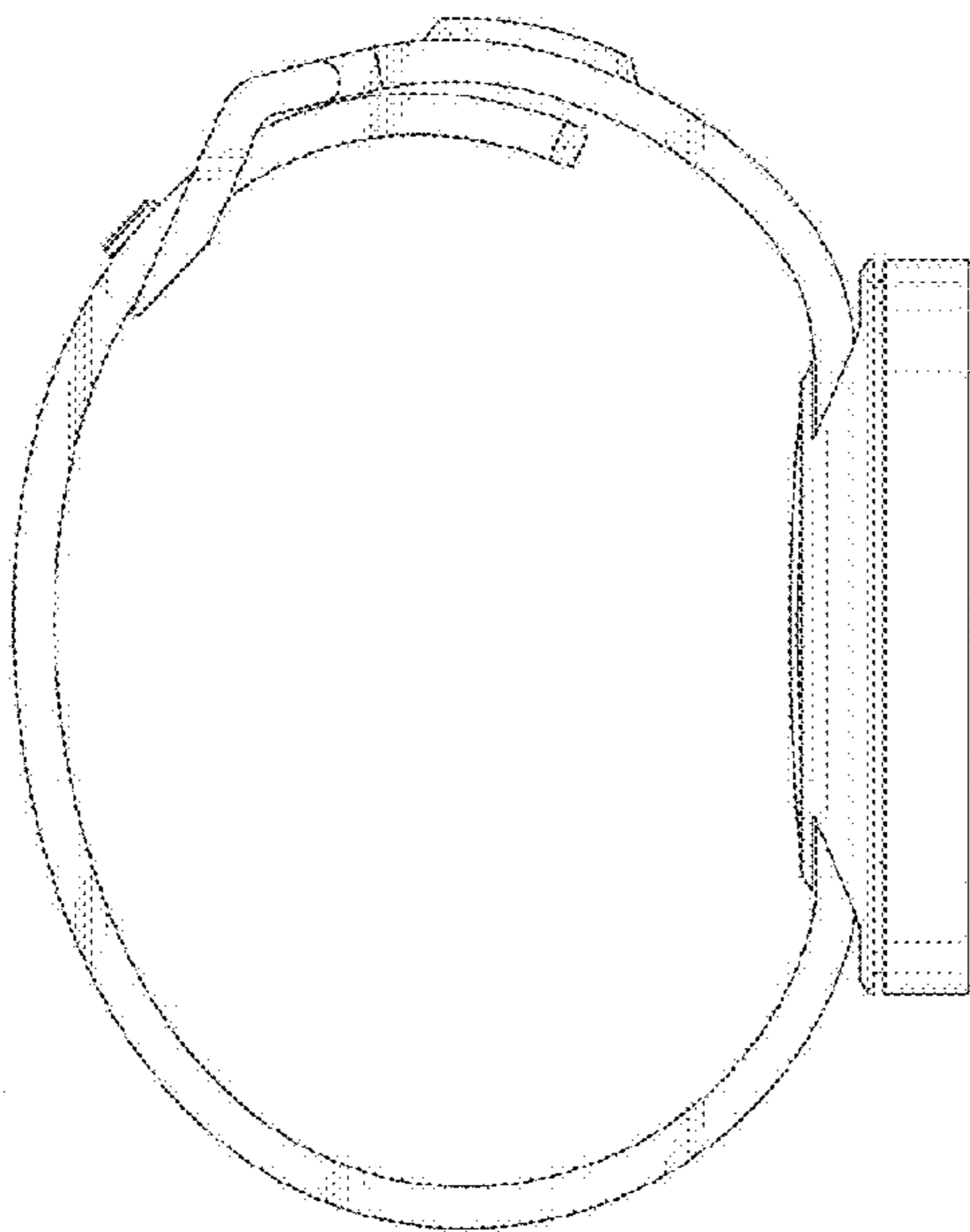


FIG. 4

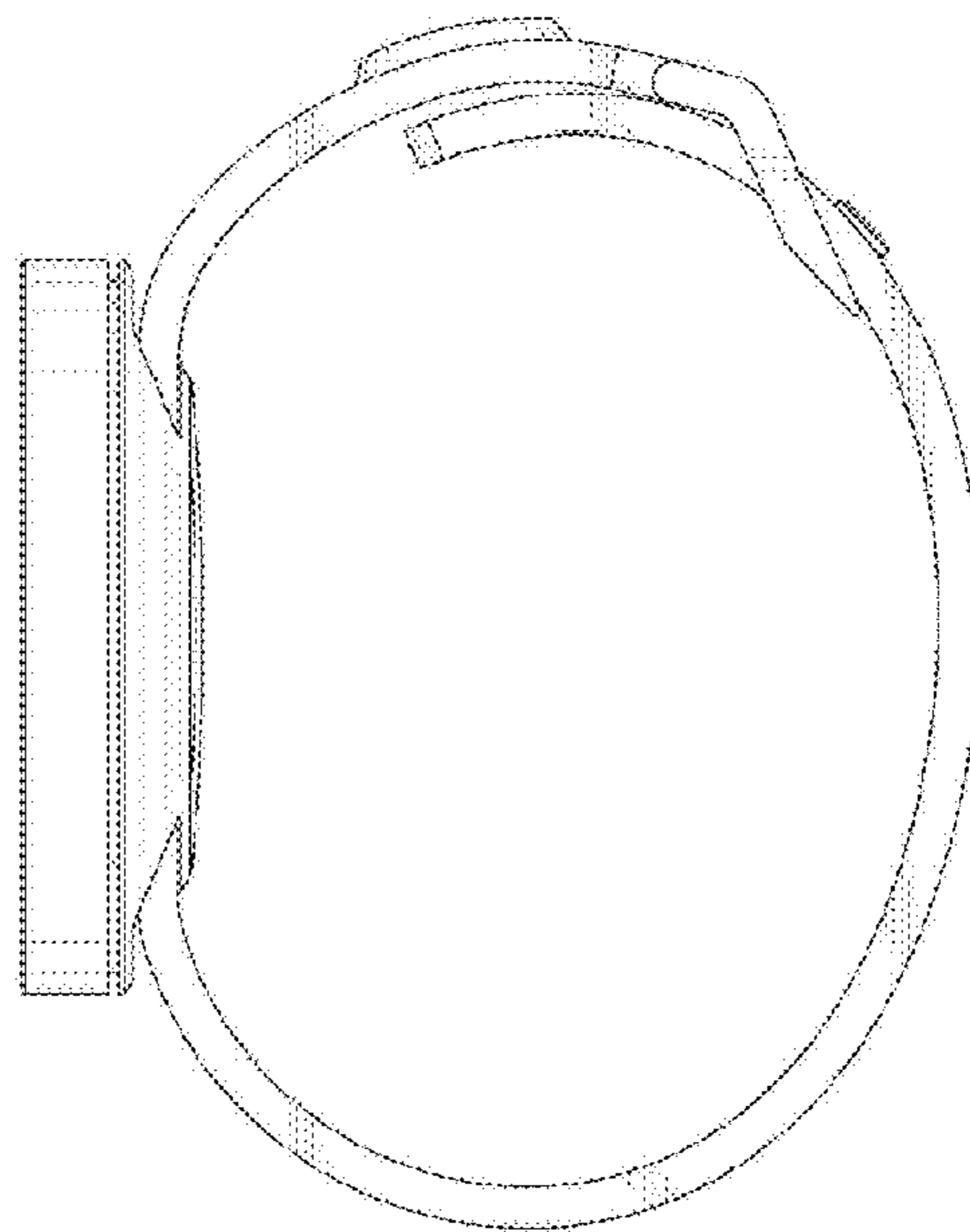


FIG. 5

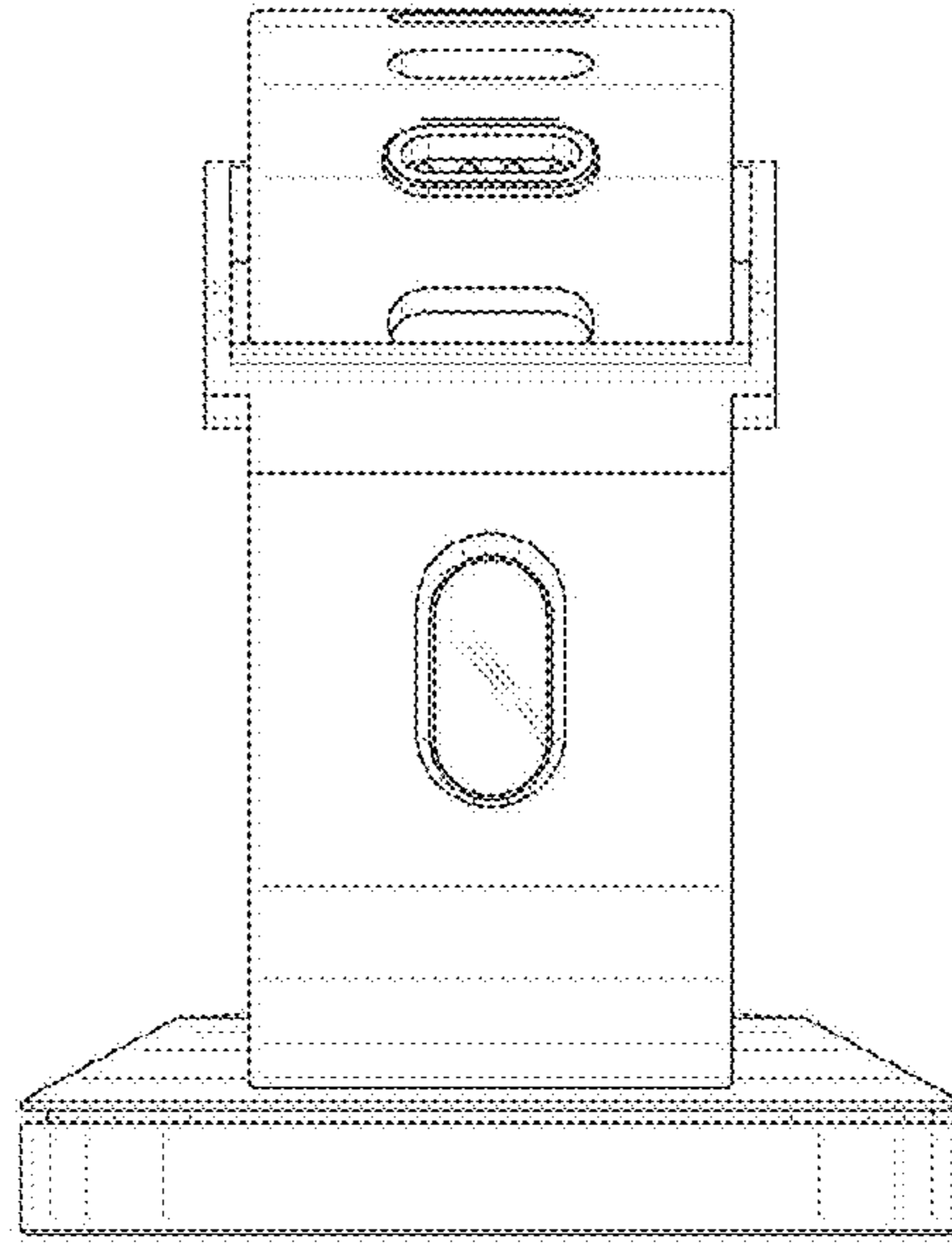


FIG. 6

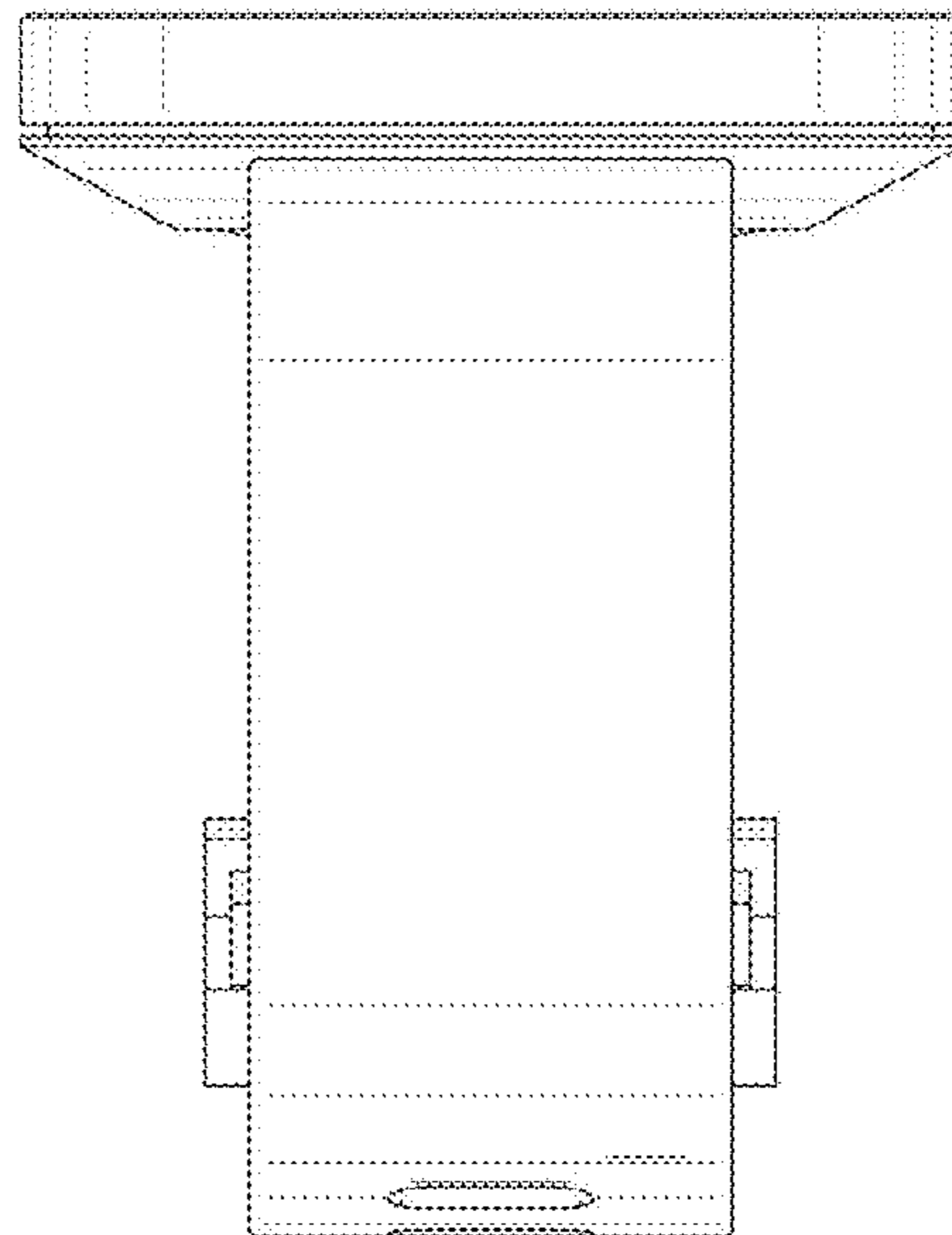


FIG. 7

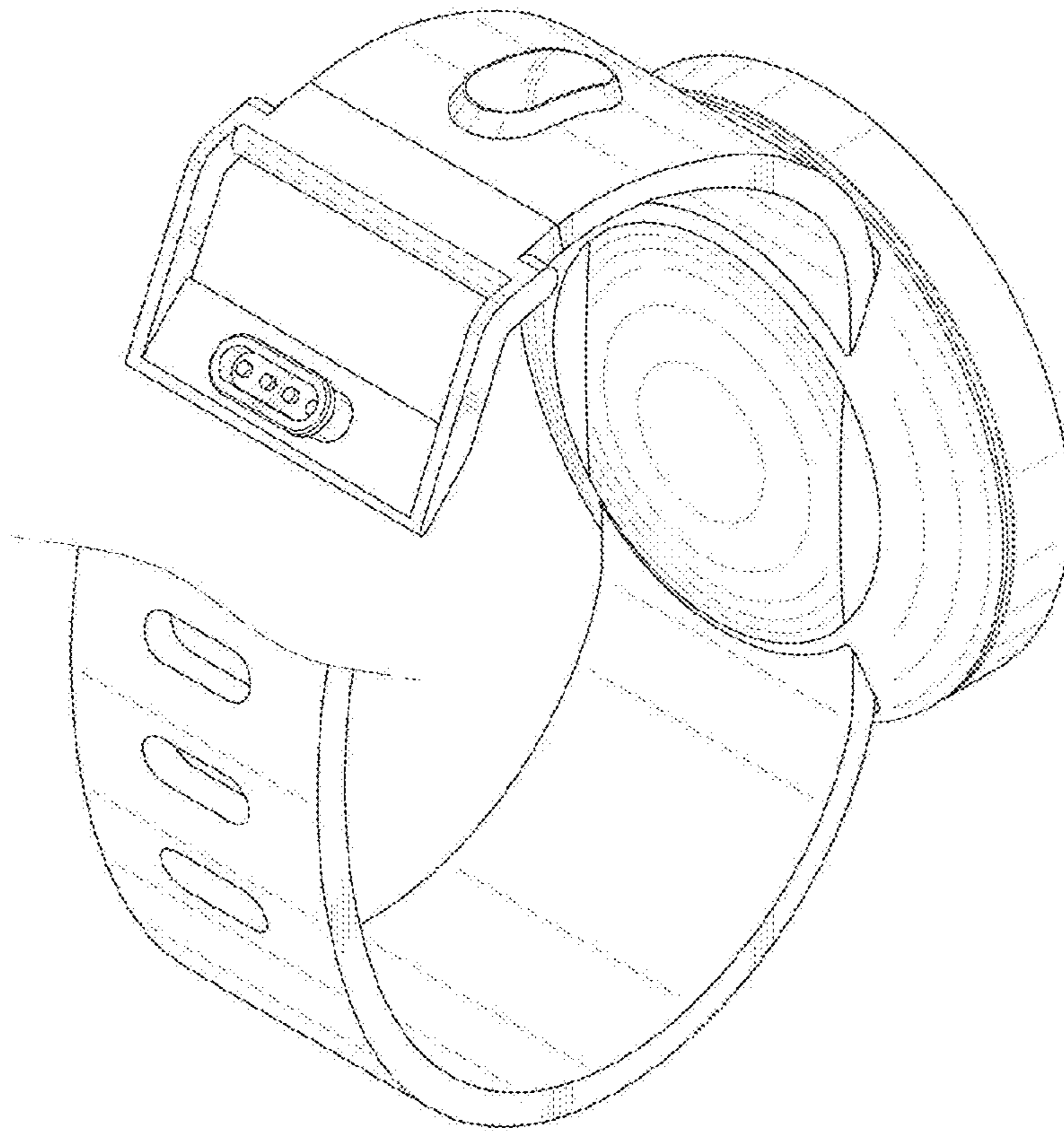


FIG.8